



US00D934099S

(12) **United States Design Patent** (10) **Patent No.:** **US D934,099 S**  
**Qin** (45) **Date of Patent:** **\*\* Oct. 26, 2021**

(54) **WEIGHT-BEARING BRACELET**  
(71) Applicant: **NANTONG AVEC HEALTH FITNESS COMPANY LIMITED**,  
Nantong (CN)  
(72) Inventor: **Shujun Qin**, Nantong (CN)  
(73) Assignee: **NANTONG AVEC HEALTH FITNESS COMPANY LIMITED**,  
Nantong (CN)

D756,359 S \* 5/2016 Bailey ..... D14/388  
D794,492 S \* 8/2017 Arrow ..... D11/3  
D805,413 S 12/2017 Chen et al.  
D808,844 S 1/2018 Lee-Hearn  
D830,876 S 10/2018 Williams  
D888,167 S \* 6/2020 Kislevitz ..... D21/683  
2009/0253560 A1 \* 10/2009 Cook ..... A63B 21/4007  
482/105  
2013/0237391 A1 \* 9/2013 Haley ..... A63B 21/0004  
482/105  
2016/0129296 A1 \* 5/2016 Haley ..... A63B 24/0087  
482/105

(\*\*) Term: **15 Years**

**OTHER PUBLICATIONS**

(21) Appl. No.: **29/753,047**

[Online] [https://www.alibaba.com/product-detail/New-Design-type-Workout-Wrist-Weight\\_1600101982790.html?spm=a2700.shop\\_index.78625.1.39ef3ab9QhVrwe](https://www.alibaba.com/product-detail/New-Design-type-Workout-Wrist-Weight_1600101982790.html?spm=a2700.shop_index.78625.1.39ef3ab9QhVrwe). Retrieved Jun. 30, 2021.\*

(22) Filed: **Sep. 29, 2020**

\* cited by examiner

(30) **Foreign Application Priority Data**

Sep. 7, 2020 (CN) ..... 202030525008.6

*Primary Examiner* — Melanie Pellegrini

(51) **LOC (13) Cl.** ..... **11-01**

(74) *Attorney, Agent, or Firm* — ScienBiziP, P.C.

(52) **U.S. Cl.**  
USPC ..... **D11/3; D21/683**

(58) **Field of Classification Search**  
USPC ..... D11/1–25, 86, 93, 94; D10/30–39, 70,  
D10/46; D24/186, 167; D21/683;  
D29/120.1

(57) **CLAIM**

The ornamental design for a weight-bearing bracelet, as shown and described.

CPC ..... A44C 5/14; A44C 5/0053; A44C 5/0069;  
A44C 5/0076; A44C 5/00; A44C 5/0007;  
A44C 5/0015; A44C 5/0023; A44C  
5/003; A44C 5/0061; A44C 5/12; A44C  
5/147; A44C 5/18; A44C 5/185; A63B  
21/06

**DESCRIPTION**

FIG. 1 is a top perspective view of a weight-bearing bracelet, showing my design.

FIG. 2 is a bottom perspective view thereof.

FIG. 3 is a front elevation view thereof.

FIG. 4 is a rear elevation view thereof.

FIG. 5 is a left side elevation thereof.

FIG. 6 is a right side elevation thereof.

FIG. 7 is a top plan view thereof; and,

FIG. 8 is a bottom plan view thereof.

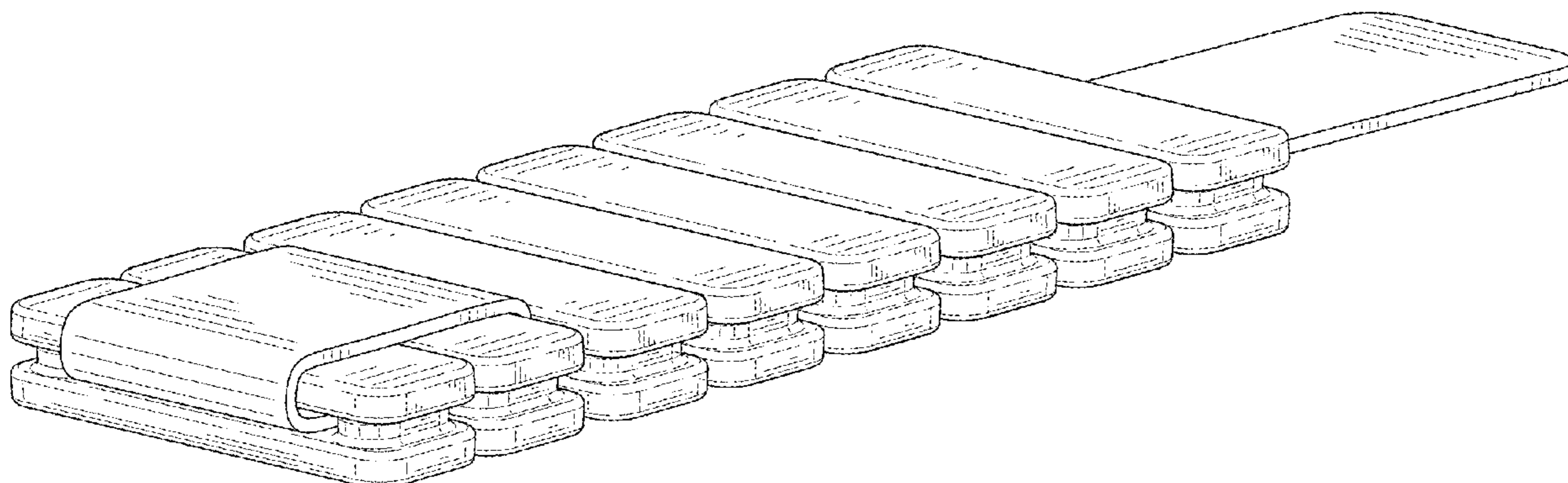
See application file for complete search history.

(56) **References Cited**

**U.S. PATENT DOCUMENTS**

5,127,891 A \* 7/1992 Winston ..... A63B 21/065  
482/105  
D339,838 S \* 9/1993 Winston ..... D21/683

**1 Claim, 8 Drawing Sheets**



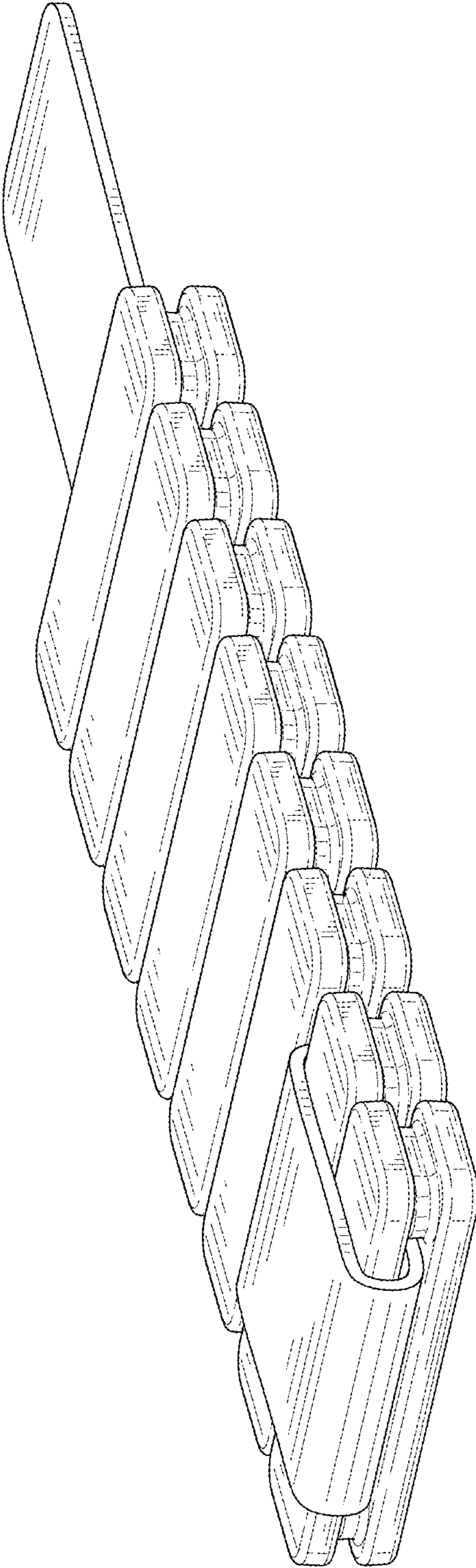


FIG. 1

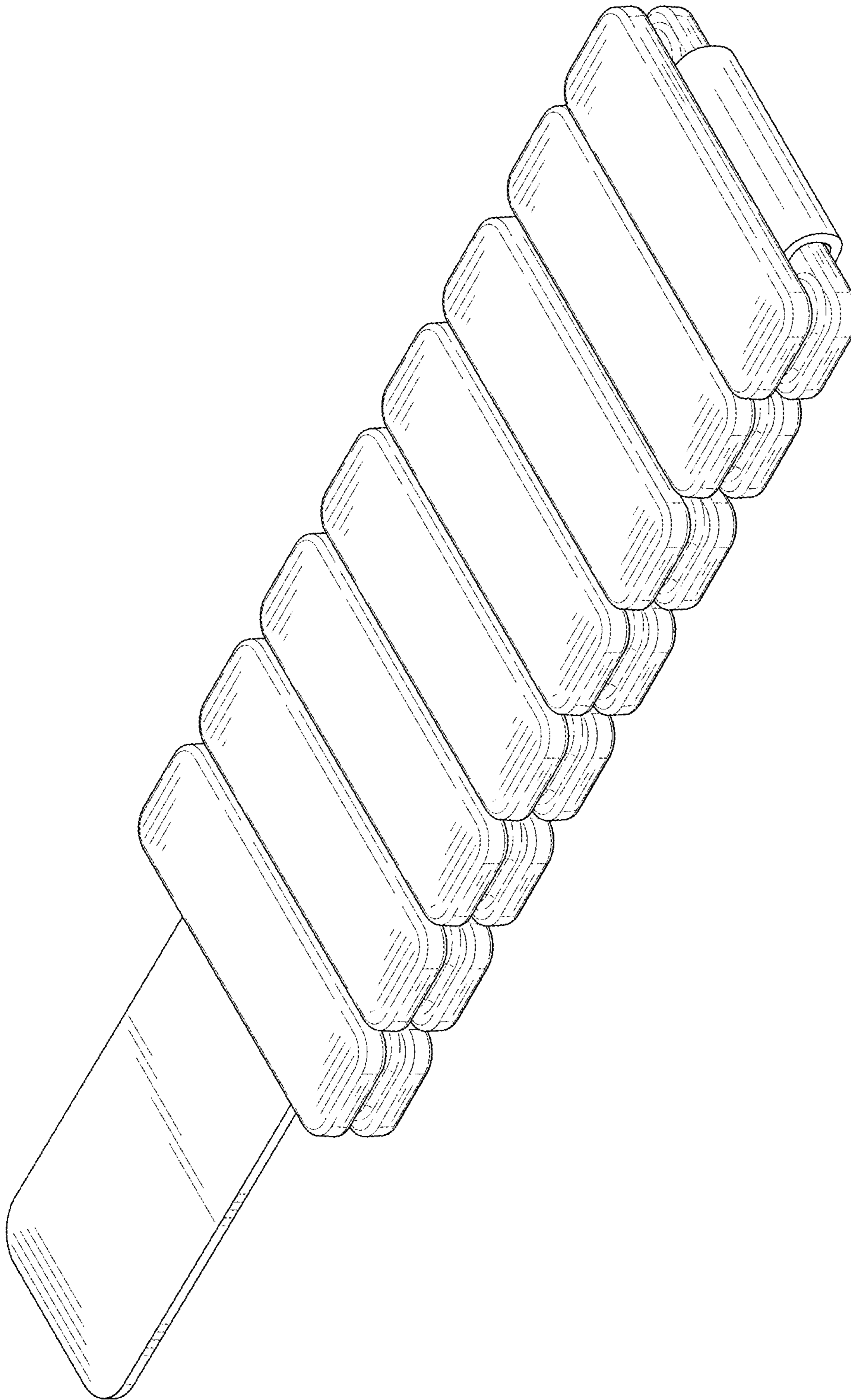


FIG. 2

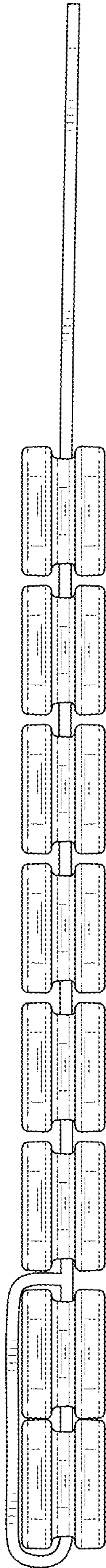


FIG. 3

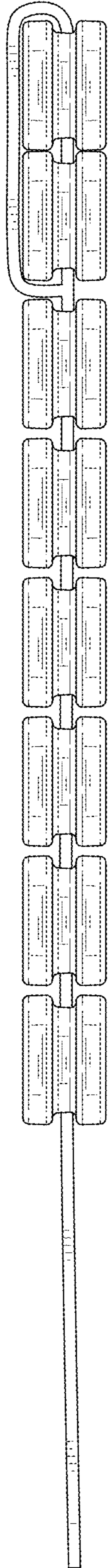


FIG. 4

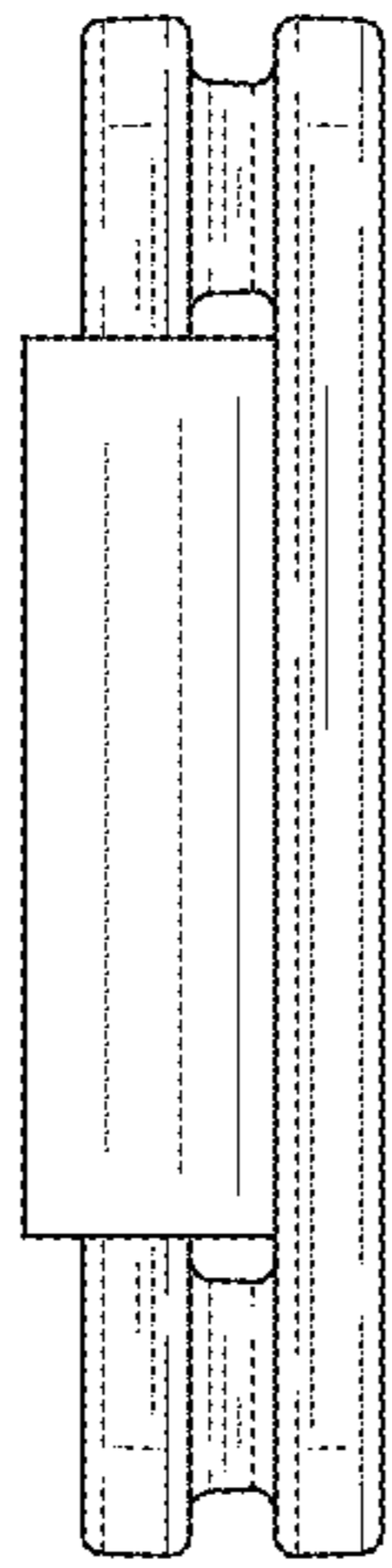


FIG. 5

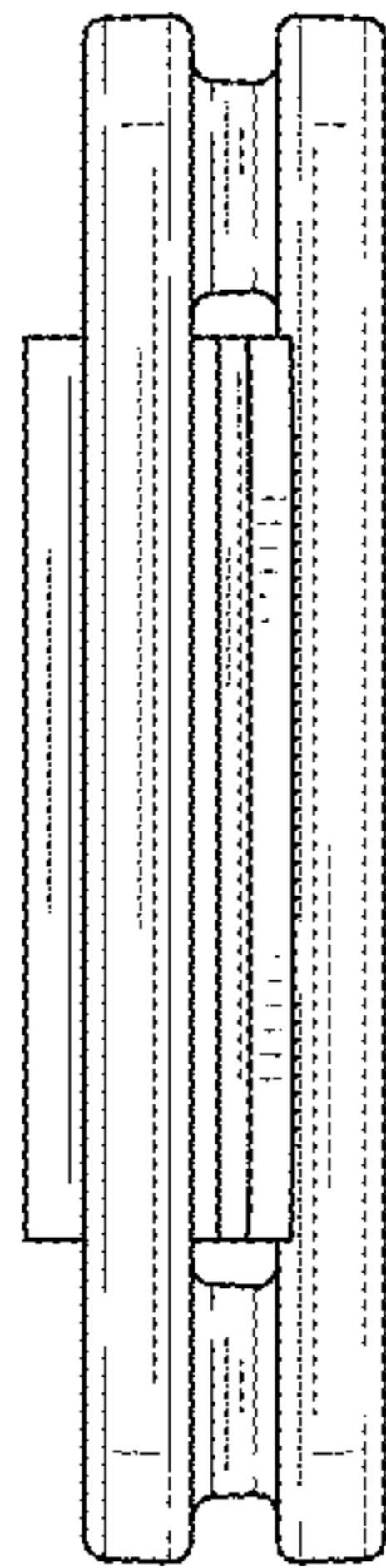


FIG. 6

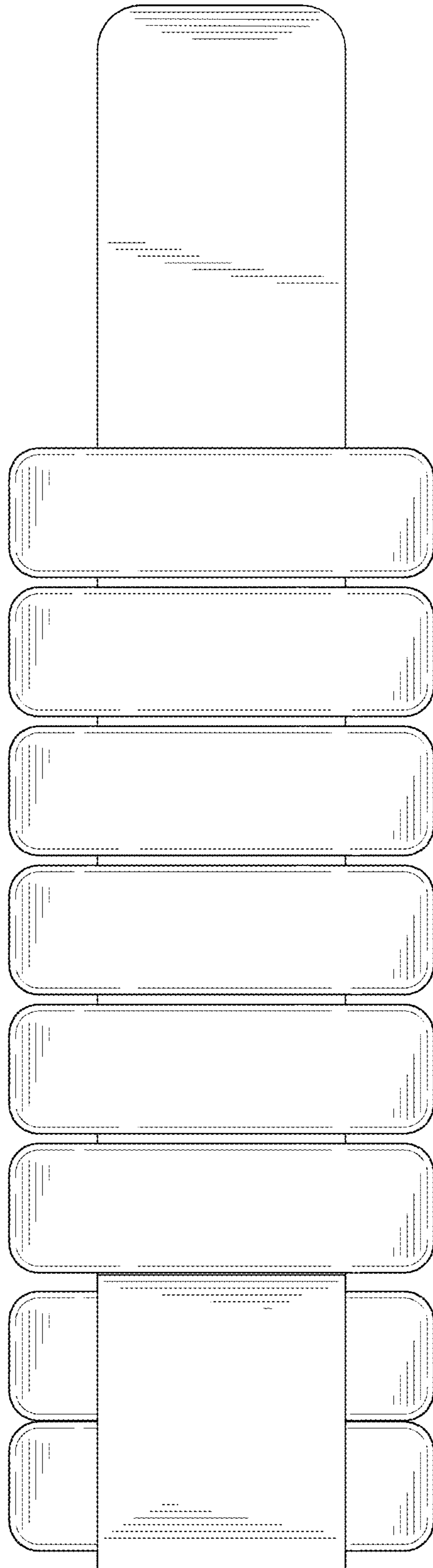


FIG. 7



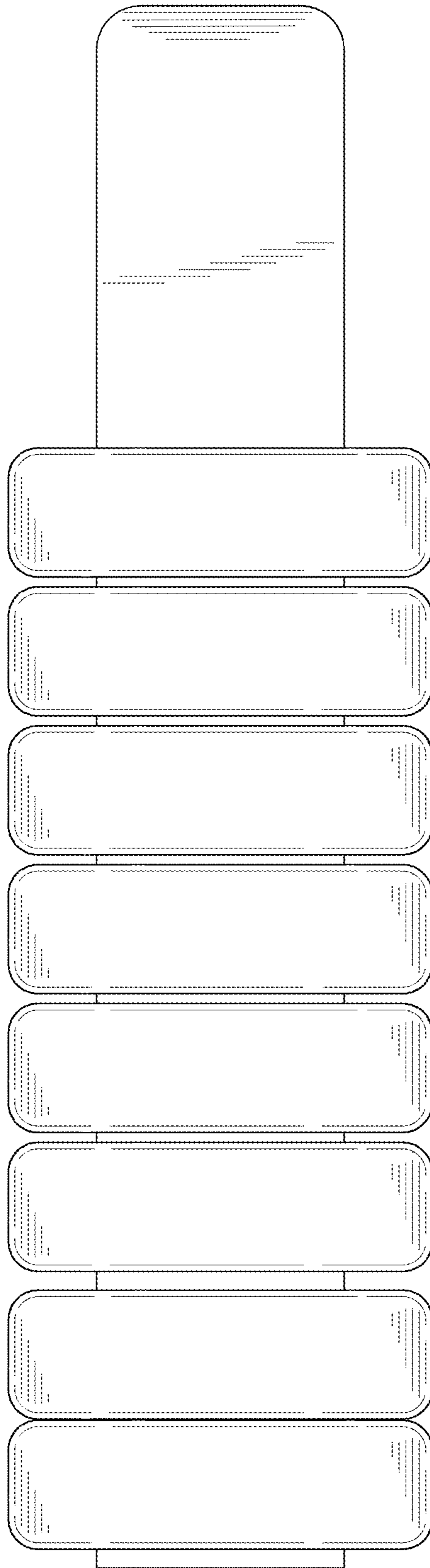


FIG. 8