



US00D934096S

(12) **United States Design Patent** (10) **Patent No.:** **US D934,096 S**
Pierre (45) **Date of Patent:** **** Oct. 26, 2021**

(54) **DIAL**
(71) Applicant: **Harry Winston SA**, Plan-les-Ouates (CH)
(72) Inventor: **Carole Pierre**, Plan-les-Ouates (CH)
(73) Assignee: **Harry Winston SA**, Plan-les-Ouates (CH)

D667,318 S * 9/2012 Jamin D10/39
D667,319 S * 9/2012 Jamin D10/39
9,104,179 B2 * 8/2015 Jamin G04B 5/16
D827,475 S * 9/2018 Blootacker D10/126
D829,590 S * 10/2018 Blootacker D10/126
D866,349 S * 11/2019 Boulangeot D10/30
D877,639 S * 3/2020 Qian D10/126
D889,303 S * 7/2020 Lasserre D10/126
D899,288 S * 10/2020 Valzan D10/126
D916,615 S * 4/2021 Kamilindi D10/126

(**) Term: **15 Years**
(21) Appl. No.: **29/744,113**
(22) Filed: **Jul. 27, 2020**

OTHER PUBLICATIONS

Introducing Harry Winston's 2020 Collection of Watches | revolutionwatch.com; date Jun. 3, 2020 [online]. © 2021 Revolution [retrieved Jul. 16, 2021] from Internet: <https://revolutionwatch.com/introducing-harry-winstons-2020-collection-of-watches/> (p. 7) (Year: 2020).*

(30) **Foreign Application Priority Data**

Feb. 7, 2020 (WO) WIPO91934

(51) **LOC (13) Cl.** **10-07**

(52) **U.S. Cl.**
USPC **D10/126**

(58) **Field of Classification Search**
USPC D10/30-39, 121-128
CPC G04G 19/06; G04G 19/065; G04B 19/08;
G04B 19/082; G04B 19/085; G04B
19/087; G04B 19/10; G04B 19/12; G04B
45/00; G04B 45/0015
See application file for complete search history.

* cited by examiner

Primary Examiner — Katherine Glennon
(74) *Attorney, Agent, or Firm* — Blank Rome LLP

(57) **CLAIM**

The ornamental design for a dial, as shown and described.

DESCRIPTION

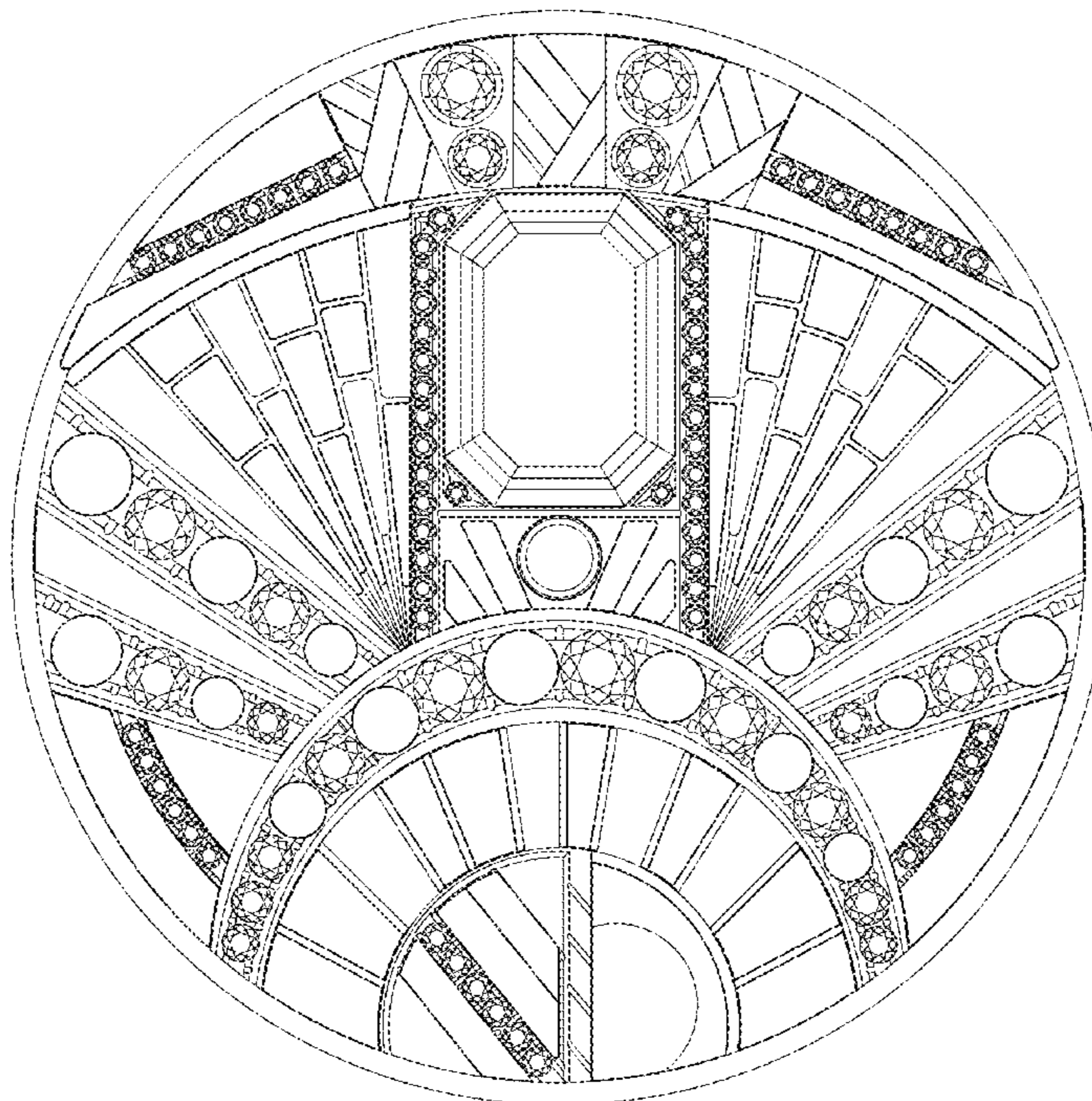
FIG. 1 is a front view of a dial of the present design; FIG. 2 is a rear view thereof; FIG. 3 is a right side view thereof; FIG. 4 is a left side view thereof; FIG. 5 is a bottom view thereof; FIG. 6 is a top view thereof; and FIG. 7 is a front right perspective view thereof; and, FIG. 8 is a rear left perspective view thereof.

(56) **References Cited**

U.S. PATENT DOCUMENTS

D279,359 S * 6/1985 Szigeti D10/126
D353,553 S * 12/1994 Ito D10/126
D526,913 S * 8/2006 Galvani D10/39
D606,890 S * 12/2009 Bulgari D10/39

1 Claim, 8 Drawing Sheets



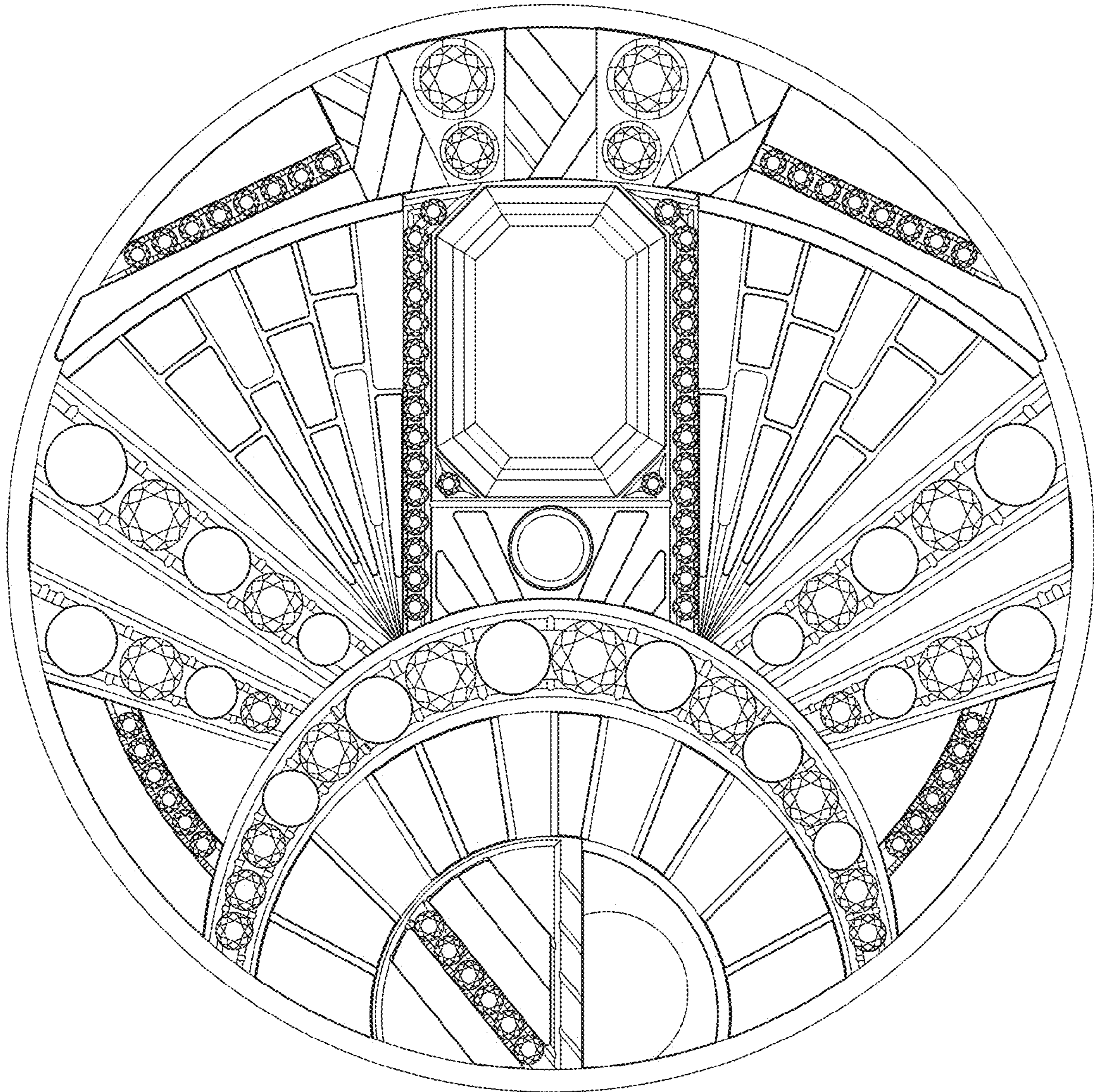


FIG. 1

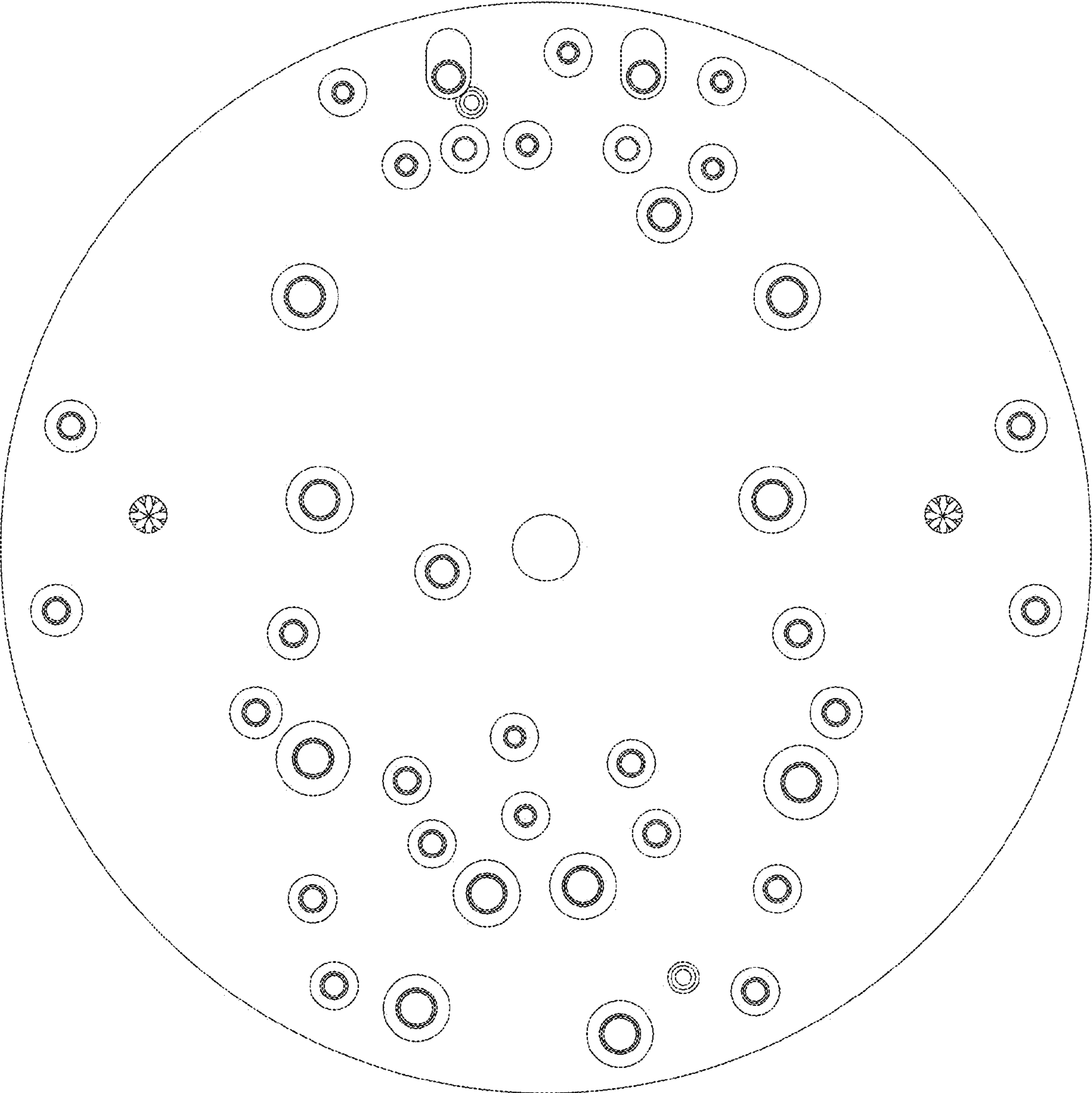


FIG. 2

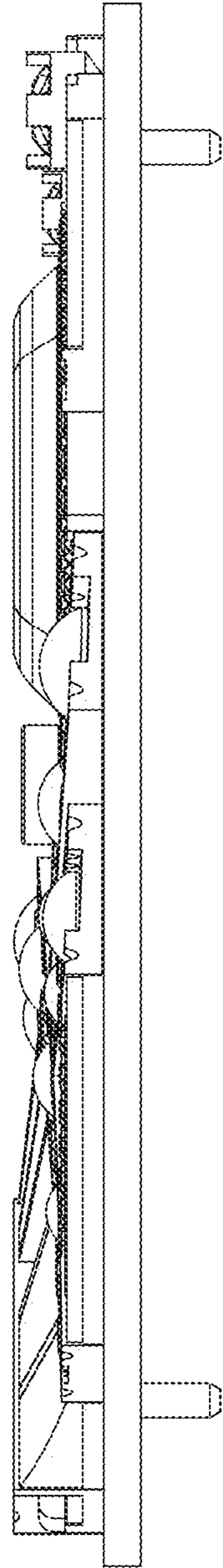


FIG. 3

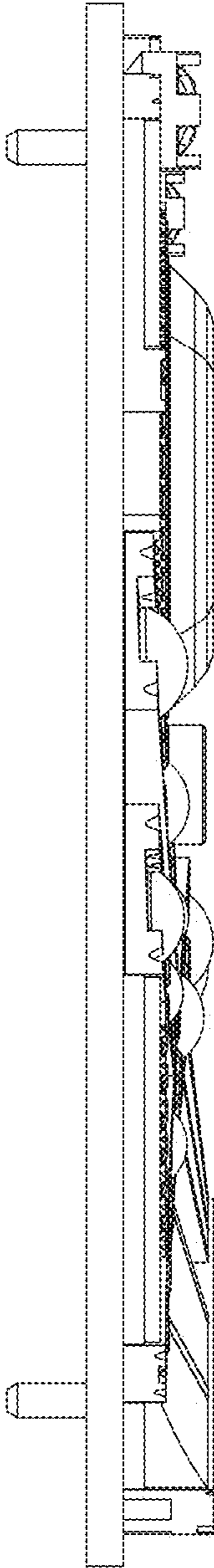


FIG. 4

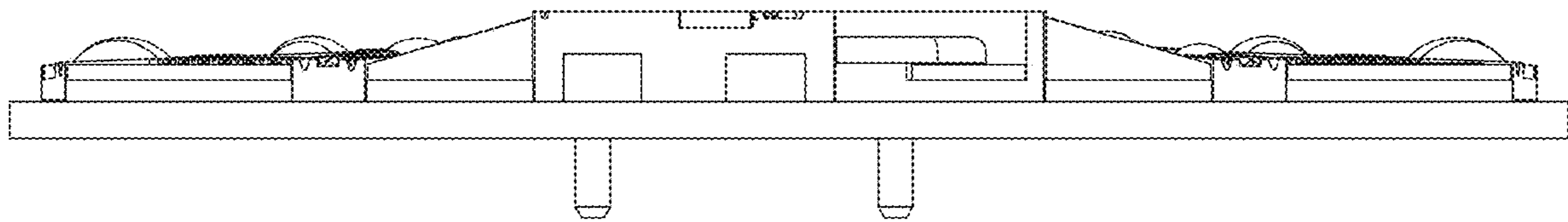


FIG. 5

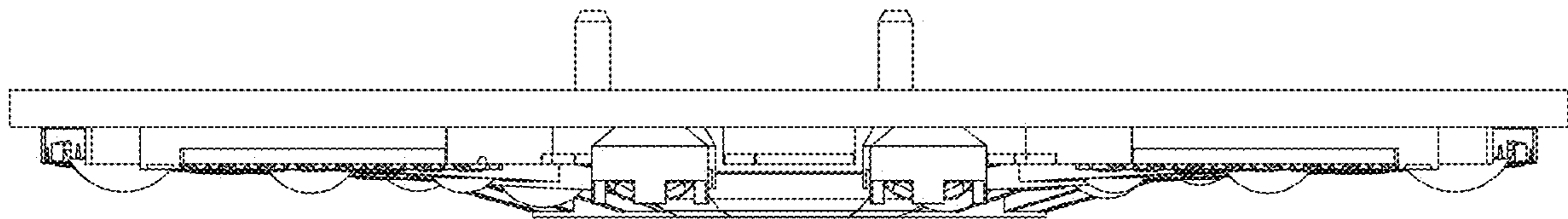


FIG. 6

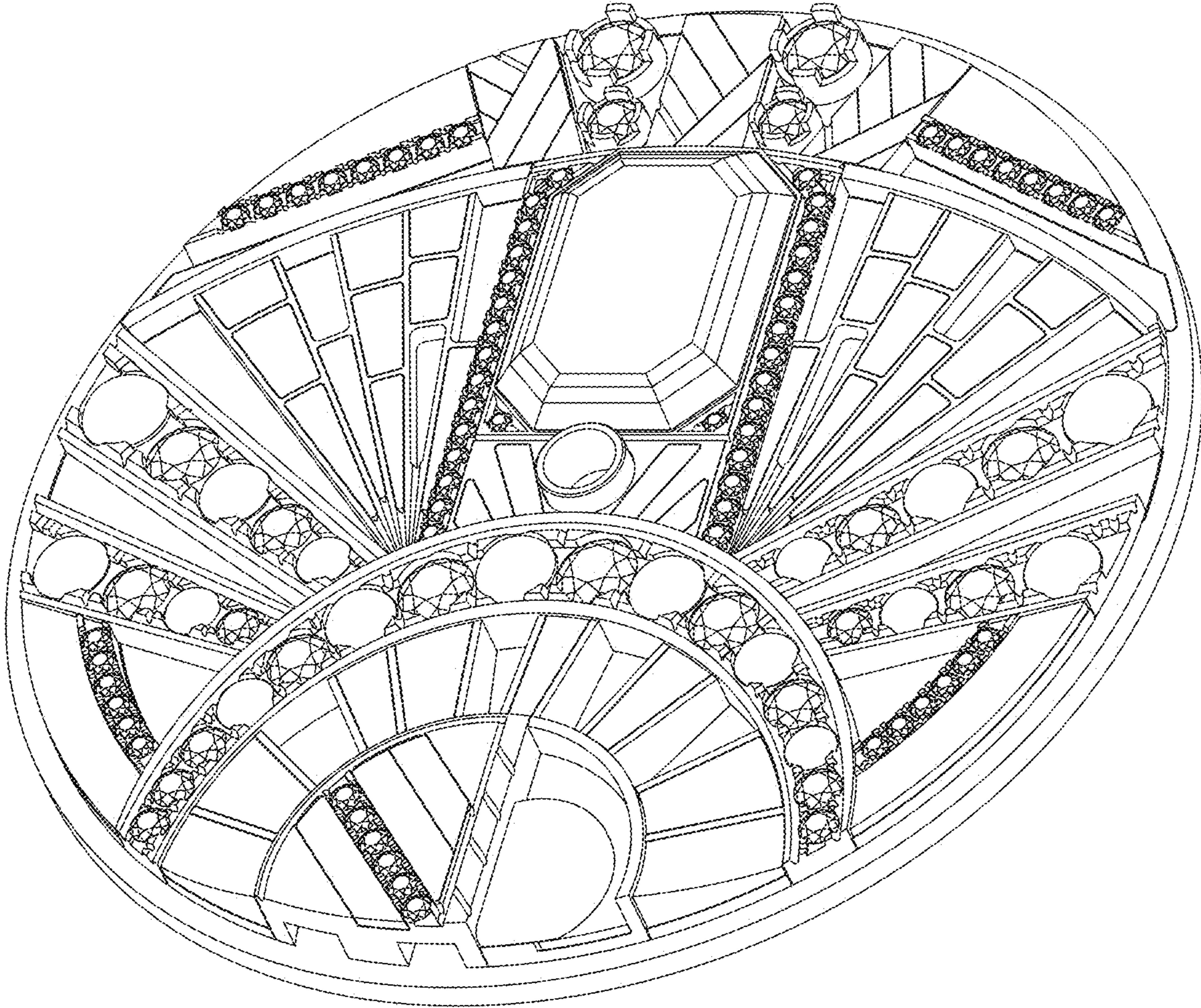


FIG. 7

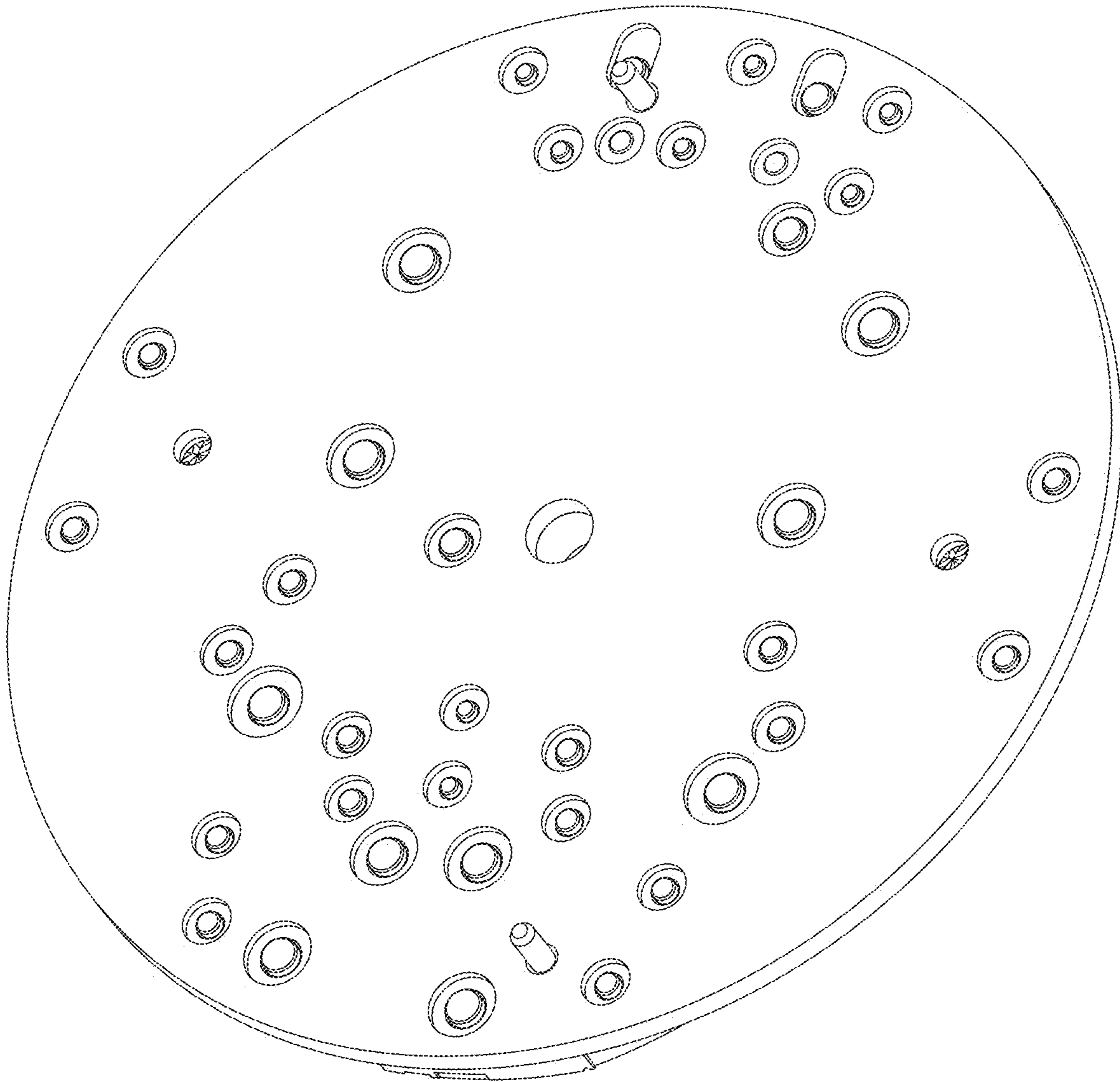


FIG. 8