



US00D934091S

(12) **United States Design Patent** (10) **Patent No.:** **US D934,091 S**
Wang (45) **Date of Patent:** **** Oct. 26, 2021**

(54) **LASER INSTRUMENT** 6,996,910 B2 * 2/2006 Liao G01C 15/004
33/227
(71) Applicant: **AUTEL INTELLIGENT** D867,908 S * 11/2019 Cai D10/70
TECHNOLOGY CORP., LTD., D883,110 S * 5/2020 Cai D10/70
Guangdong (CN) 10,921,426 B2 * 2/2021 Tang G01S 7/4026
2003/0159299 A1 * 8/2003 Goodrich G01C 15/004
33/286
(72) Inventor: **Yongshuai Wang**, Guangdong (CN) 2017/0336202 A1 * 11/2017 Palatshe F16M 11/38

(73) Assignee: **AUTEL INTELLIGENT** FOREIGN PATENT DOCUMENTS
TECHNOLOGY CORP., LTD.,
Shenzhen (CN) CN 201910219432.4 * 3/2019

(**) Term: **15 Years** OTHER PUBLICATIONS

(21) Appl. No.: **29/711,007** ADAS MA600 Calibration Toolset User Manual | maxisysadas.com; Oct. 2019 [online] [retrieved Apr. 27, 2021] from Internet: <https://www.maxisysadas.com/adascms/u/cms/www/201910/ADAS%20MA600%20Calibration%20Toolset%20User%20Manual.pdf> pp. 3-7 (Year: 2019).*

(22) Filed: **Oct. 28, 2019**
(30) **Foreign Application Priority Data**
Apr. 28, 2019 (CN) 201930200980.3
* cited by examiner

(51) **LOC (13) Cl.** **10-04** *Primary Examiner* — Katherine Glennon

(52) **U.S. Cl.** **D10/70; D10/46** (57) **CLAIM**

(58) **Field of Classification Search**
USPC D10/46, 49, 70, 103, 65; D19/34.1
CPC G01B 11/2504; G01B 22/30; G01B 5/025;
G01B 5/0002; G01B 5/0007; G01B 11/2522; G01B 11/2755; G01B 2210/12;
G01C 5/00; G01C 25/00; G01C 25/005;
G01C 7/04; G01C 15/00; G01C 15/004;
G01C 1/00; Y10S 33/21
See application file for complete search history.

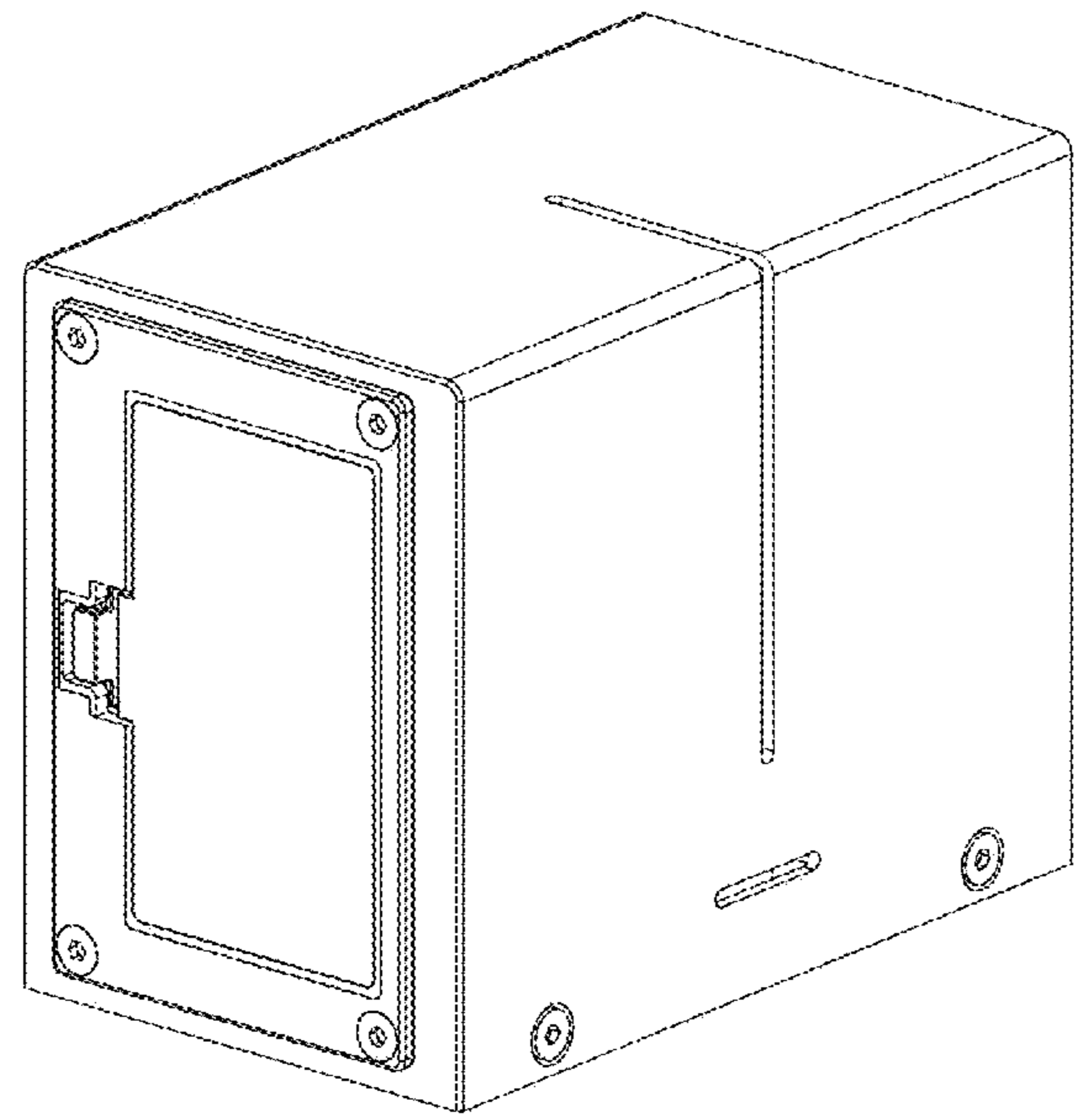
(56) **References Cited**
U.S. PATENT DOCUMENTS
I claim the ornamental design for a laser instrument, as shown and described.

5,864,956 A * 2/1999 Dong G01C 15/105
33/227
D427,533 S * 7/2000 Cowan D10/46

DESCRIPTION

FIG. 1 is a front elevational view of a laser instrument showing my new design;
FIG. 2 is a back elevational view thereof;
FIG. 3 is a left side elevational view thereof;
FIG. 4 is a right side elevational view thereof;
FIG. 5 is a top plan view thereof;
FIG. 6 is a bottom plan view thereof; and,
FIG. 7 is a perspective view thereof.
The broken line portions in the drawings form no part of the claimed design.

1 Claim, 4 Drawing Sheets



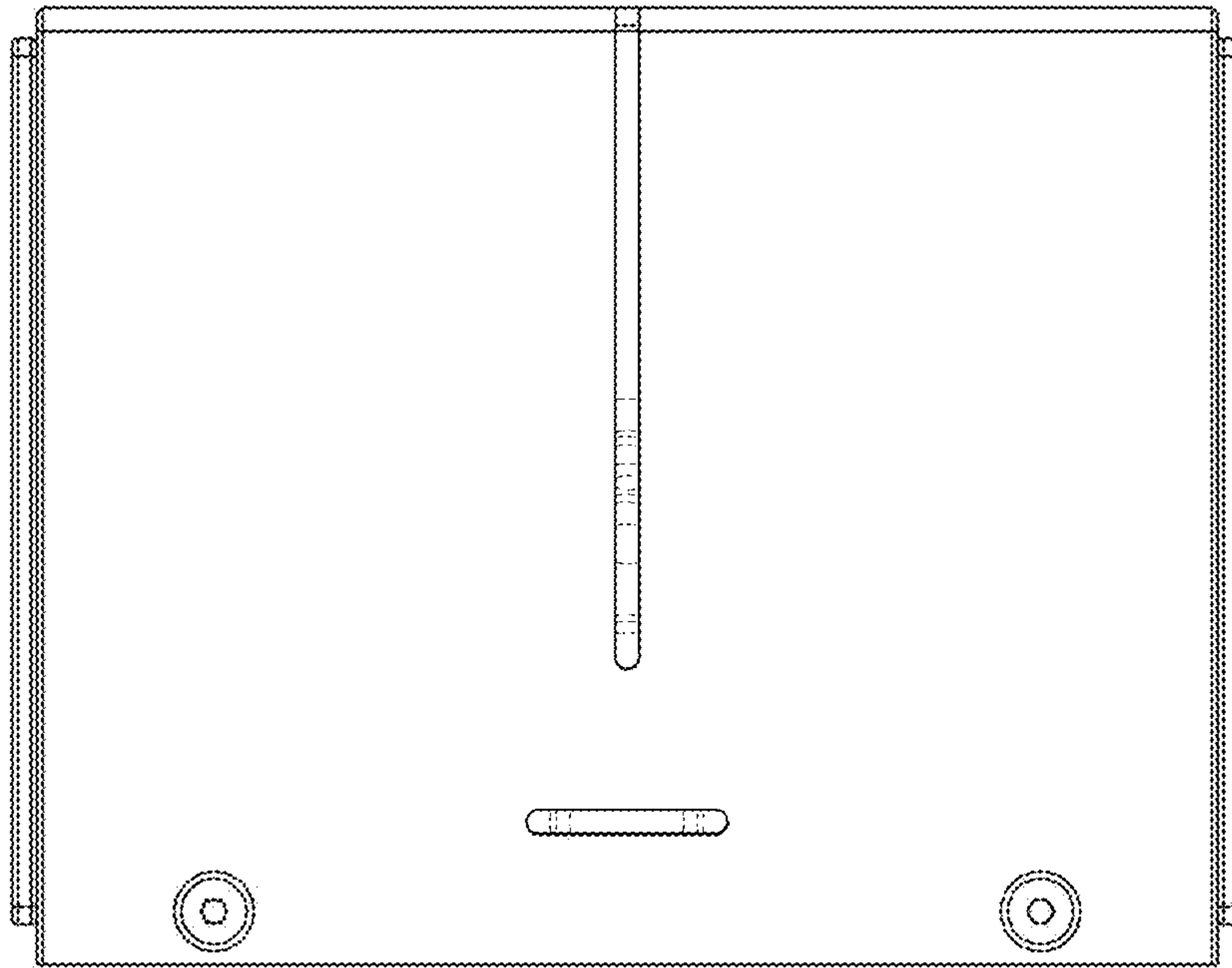


FIG. 1

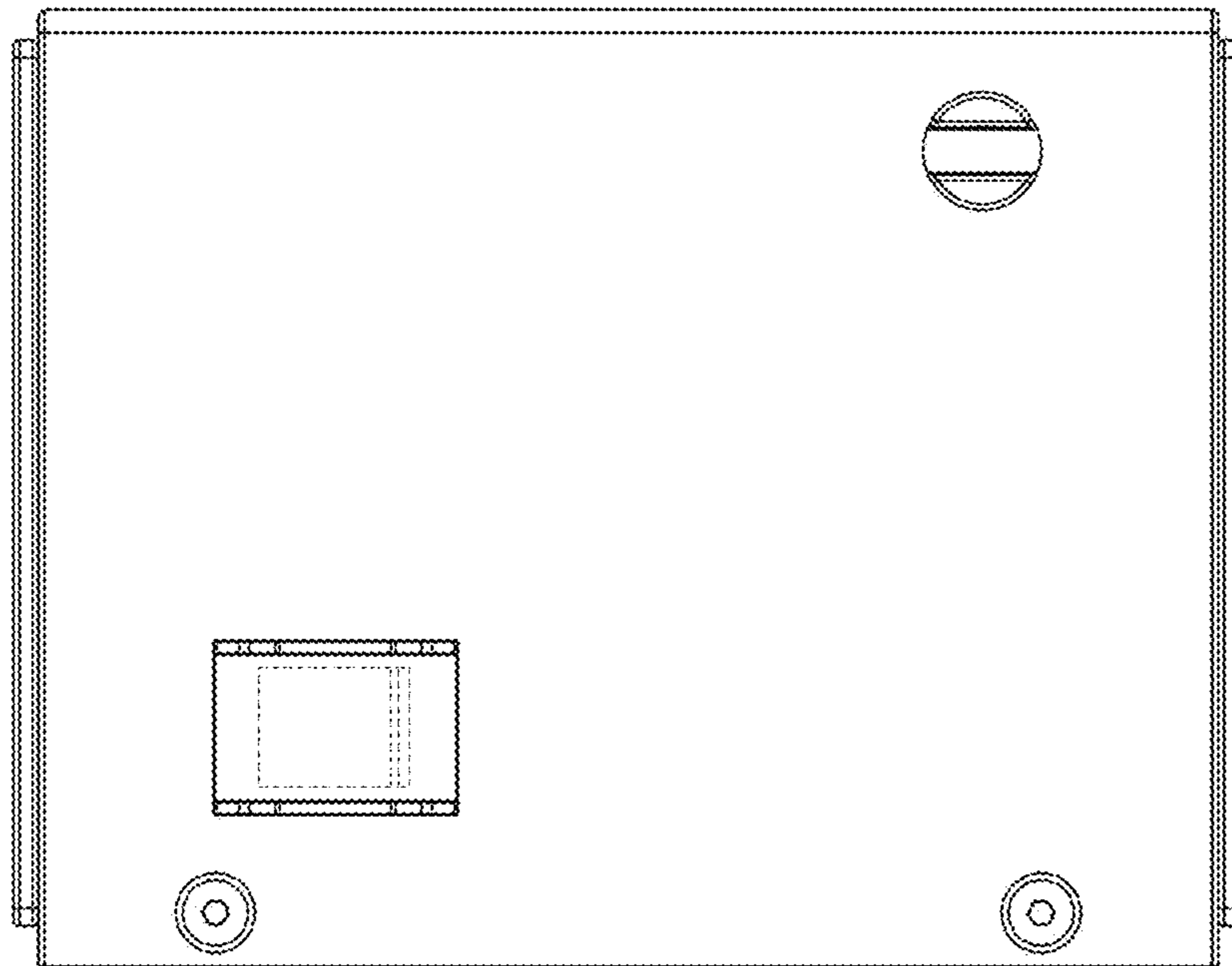


FIG. 2

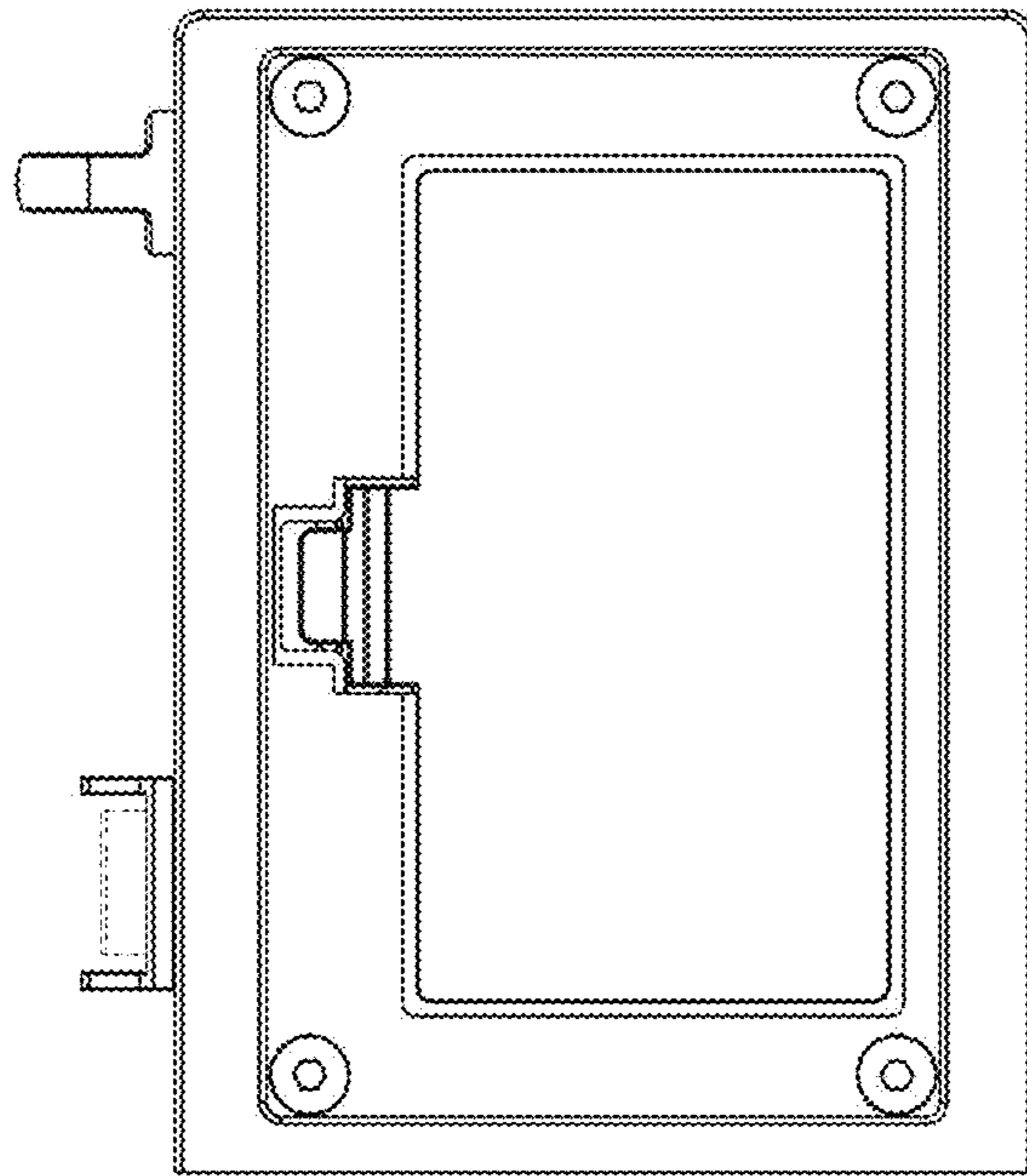


FIG. 3

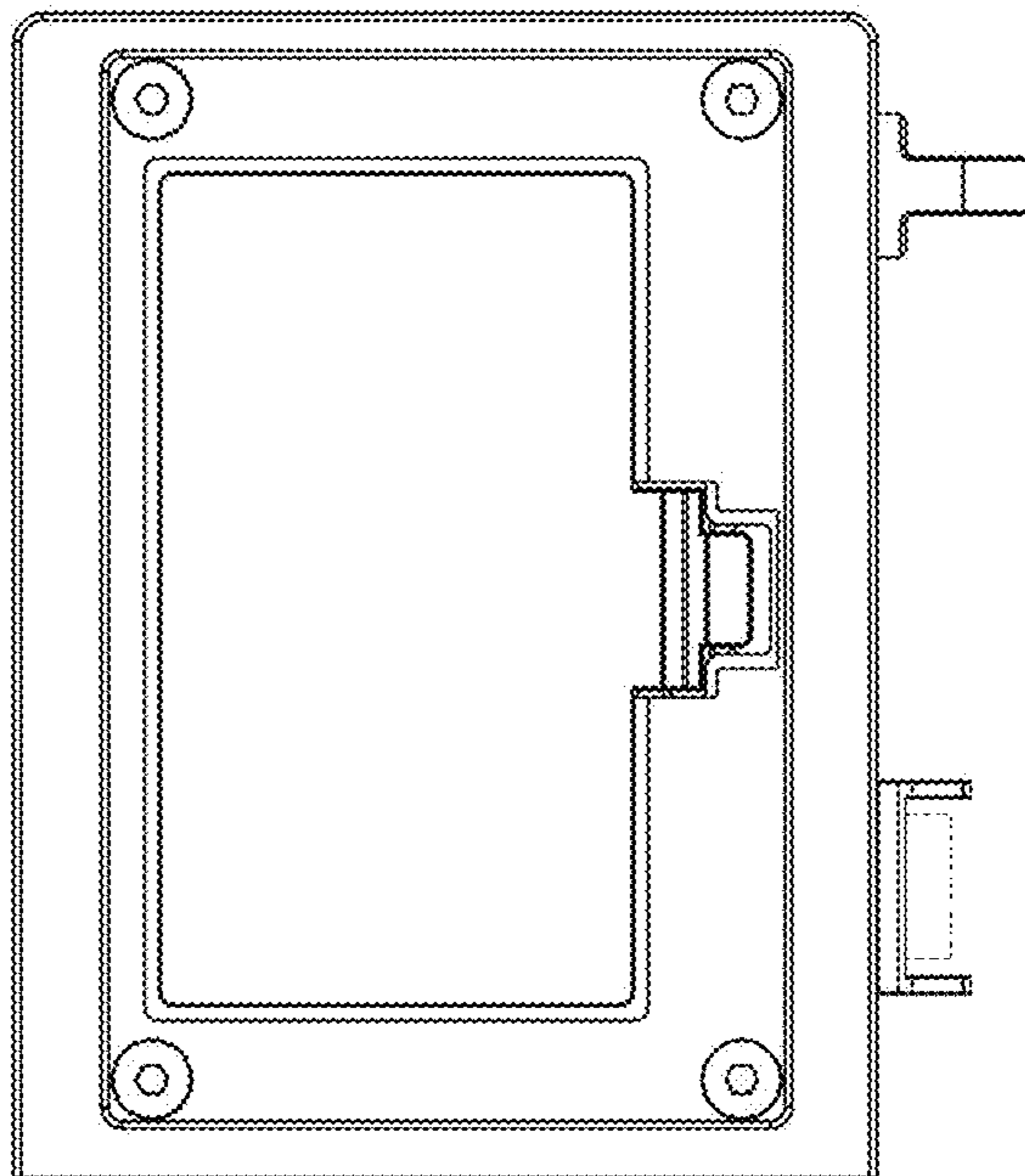


FIG. 4

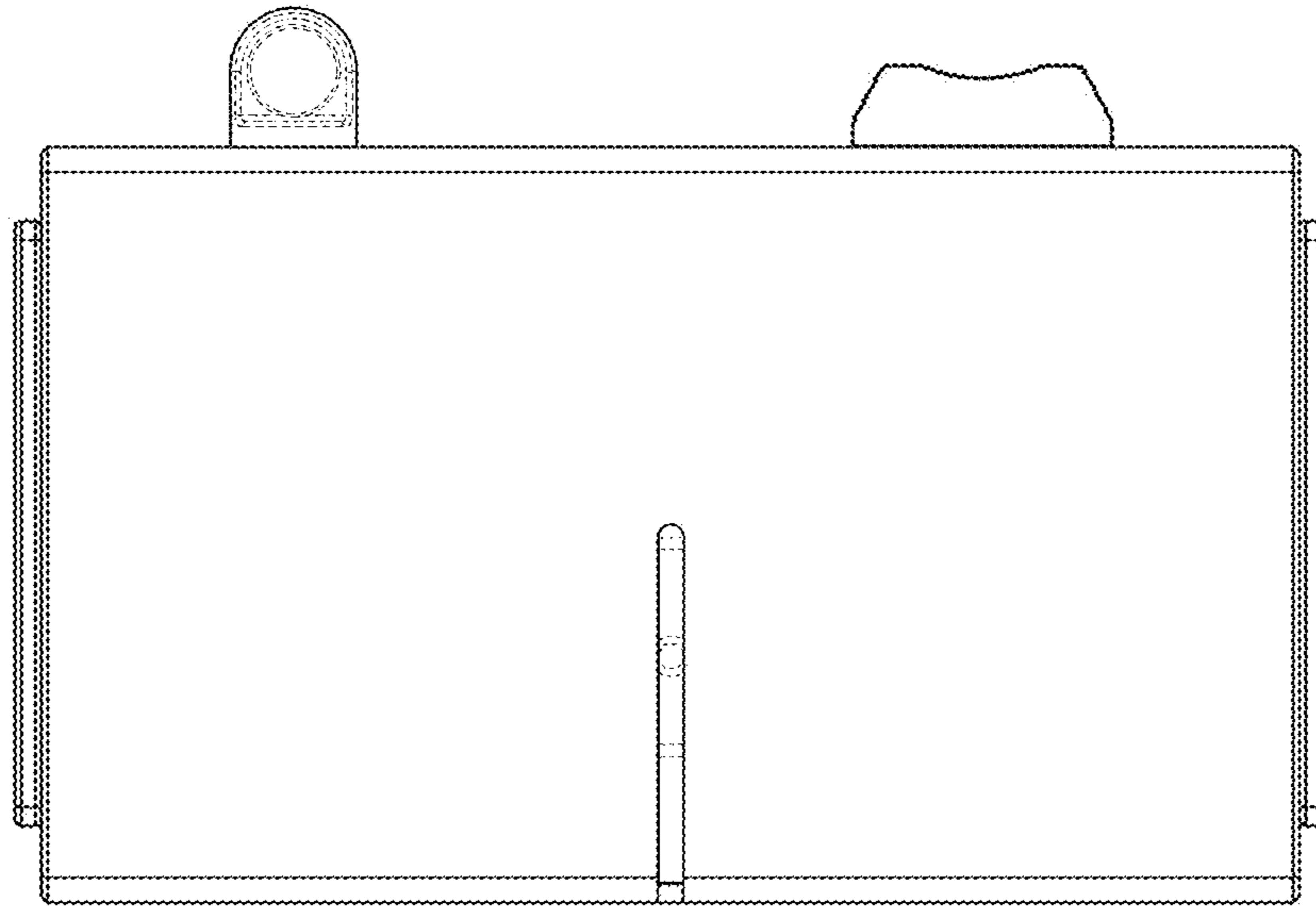


FIG. 5

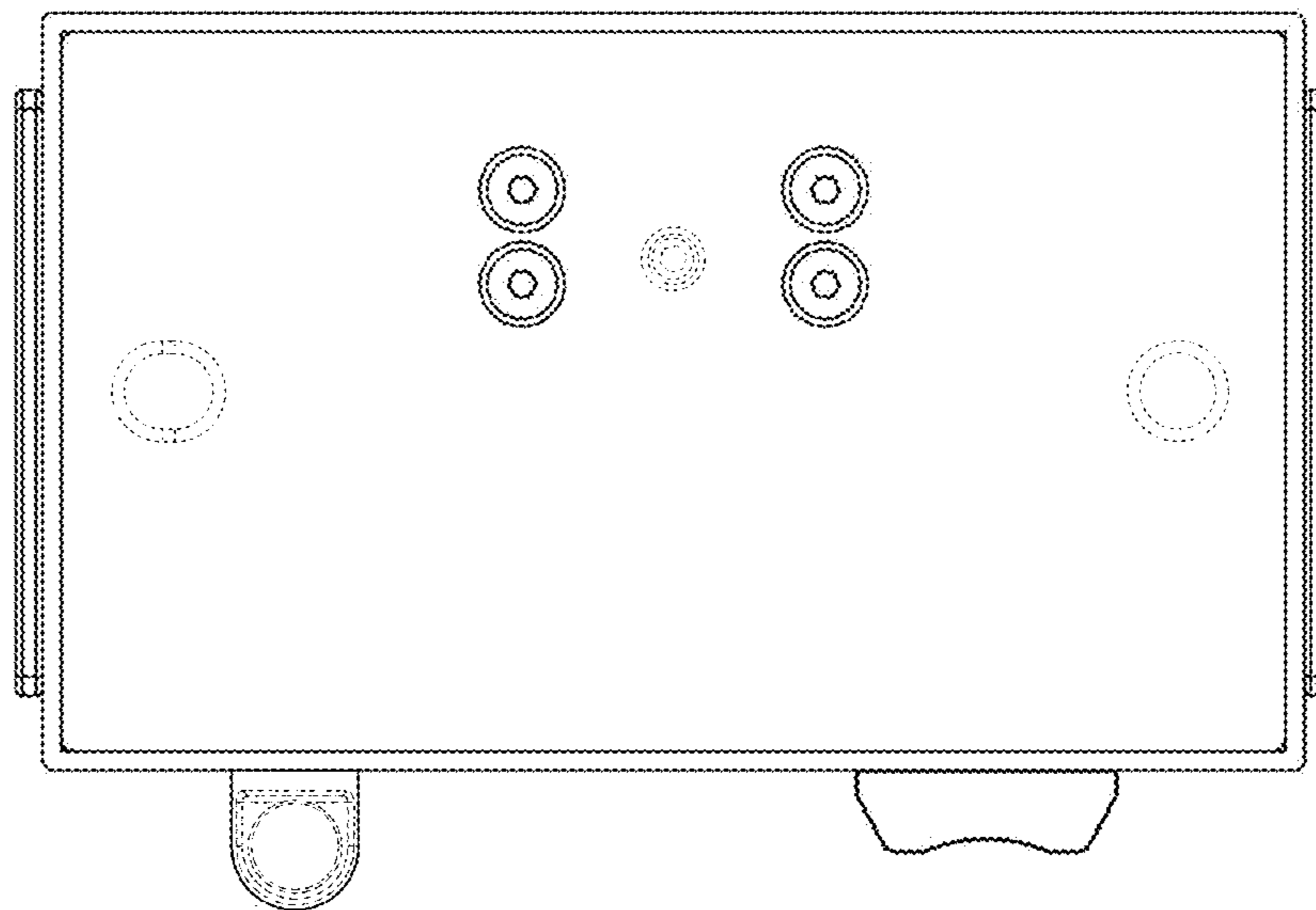


FIG. 6

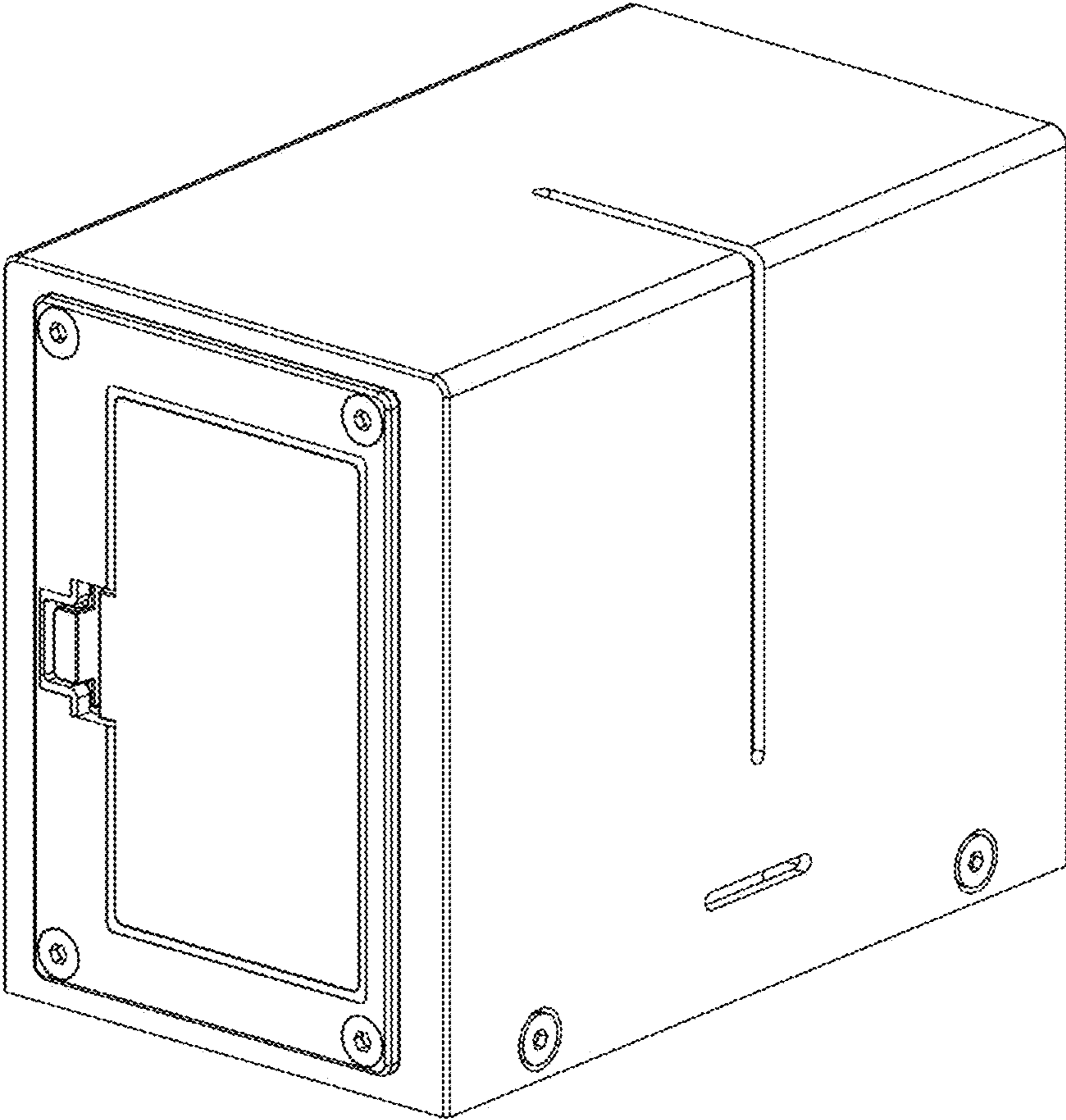


FIG. 7