



US00D934090S

(12) **United States Design Patent** (10) **Patent No.:** **US D934,090 S**
Wang (45) **Date of Patent:** **** Oct. 26, 2021**

(54) **CALIBRATOR FOR LANE DEPARTURE WARNING SYSTEM OF A VEHICLE**

(71) Applicant: **AUTEL INTELLIGENT TECHNOLOGY CORP., LTD.,**
Guangdong (CN)

(72) Inventor: **Yongshuai Wang,** Guangdong (CN)

(73) Assignee: **AUTEL INTELLIGENT TECHNOLOGY CORP., LTD.,**
Shenzhen (CN)

(**) Term: **15 Years**

(21) Appl. No.: **29/711,006**

(22) Filed: **Oct. 28, 2019**

(30) **Foreign Application Priority Data**

Apr. 28, 2019 (CN) 201930201092.3

(51) **LOC (13) Cl.** **10-04**

(52) **U.S. Cl.**
USPC **D10/65; D10/70; D10/103**

(58) **Field of Classification Search**
USPC D10/46, 49, 70, 103, 65; D19/34.1
CPC G01B 22/30; G01B 5/025; G01B 5/0002;
G01B 5/0007; G01B 11/2504; G01B 11/2522; G01B 11/2755; G01B 2210/12;
G01C 5/00; G01C 25/00; G01C 25/005;
G01C 7/04; Y10S 33/21

See application file for complete search history.

(56) **References Cited**

U.S. PATENT DOCUMENTS

- 4,760,840 A * 8/1988 Fournier, Jr. A61B 18/201
600/108
- 6,256,895 B1 * 7/2001 Akers G01C 15/004
33/286
- D783,056 S * 4/2017 Charriere D15/9
- D881,051 S * 4/2020 Cai D10/103

- D881,052 S * 4/2020 Cai D10/103
- D881,053 S * 4/2020 Cai D10/103
- D883,112 S * 5/2020 Cai D10/70
- D883,120 S * 5/2020 Cai D10/103
- D883,123 S * 5/2020 Cai D10/103
- 10,821,607 B2 * 11/2020 Chen B66F 9/24
- 10,921,426 B2 * 2/2021 Tang G01S 7/4026
- 2009/0100900 A1 * 4/2009 Spalding G01B 11/08
73/1.81
- 2013/0147614 A1 * 6/2013 Yang G01B 5/255
340/425.5
- 2016/0223364 A1 * 8/2016 Peters G01C 15/004
- 2017/0082434 A1 * 3/2017 McNamee G01C 15/002

(Continued)

OTHER PUBLICATIONS

ADAS MA600 Calibration Toolset User Manual | maxisysadas.com; Oct. 2019 [online] [retrieved Apr. 27, 2021] from Internet: <<https://www.maxisysadas.com/adascms/u/cms/www/201910/ADAS%20MA600%20Calibration%20Toolset%20User%20Manual.pdf>> pp. 3-7 (Year: 2019).*

Primary Examiner — Katherine Glennon

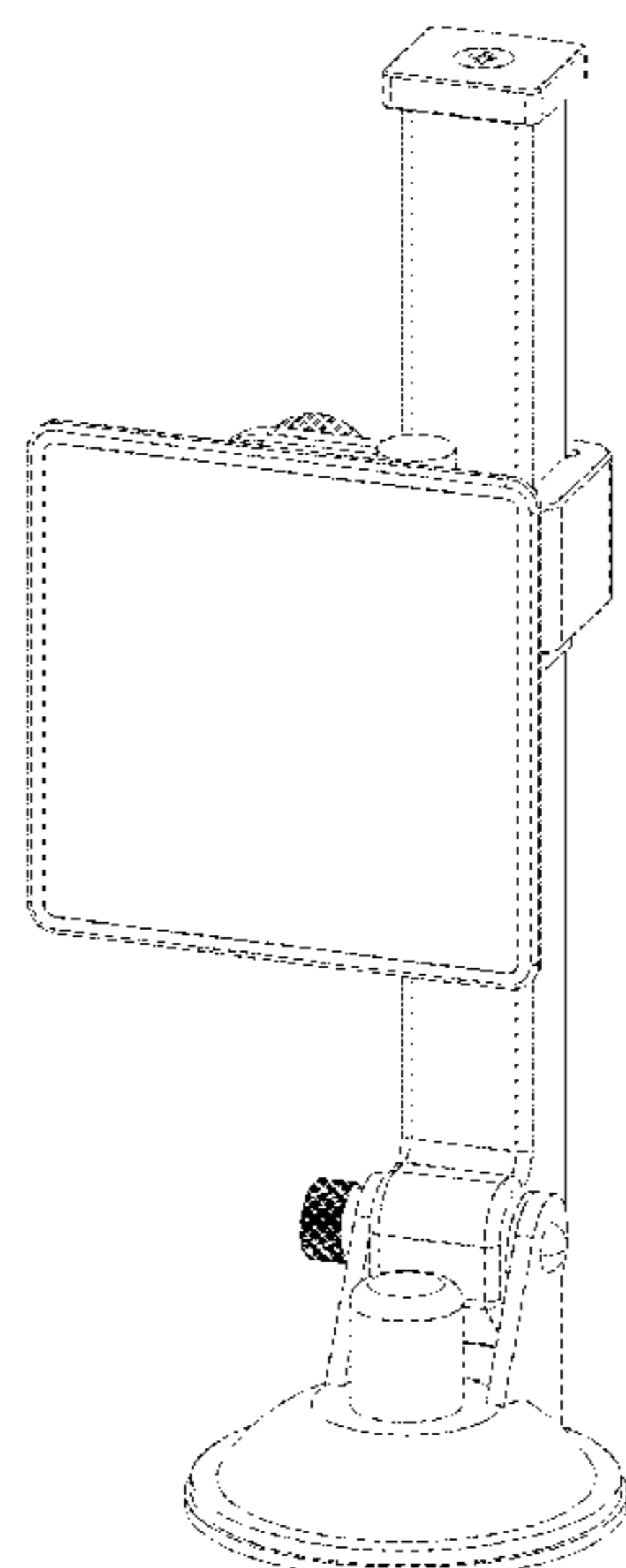
(57) **CLAIM**

I claim the ornamental design for a calibrator for lane departure warning system of a vehicle, as shown and described.

DESCRIPTION

FIG. 1 is a front elevational view of a calibrator for lane departure warning system of a vehicle showing my new design;
FIG. 2 is a back elevational view thereof;
FIG. 3 is a left side elevational view thereof;
FIG. 4 is a right side elevational view thereof;
FIG. 5 is a top plan view thereof;
FIG. 6 is a bottom plan view thereof; and,
FIG. 7 is a perspective view thereof.
The broken line portions in the drawings form no part of the claimed design.

1 Claim, 6 Drawing Sheets



(56)

References Cited

U.S. PATENT DOCUMENTS

2017/0097229 A1* 4/2017 Rogers G01B 11/275
2018/0188022 A1* 7/2018 Leikert G01B 11/2755
2019/0187249 A1* 6/2019 Harmer F16M 11/242
2019/0249985 A1* 8/2019 Stieff G01S 7/4026

* cited by examiner

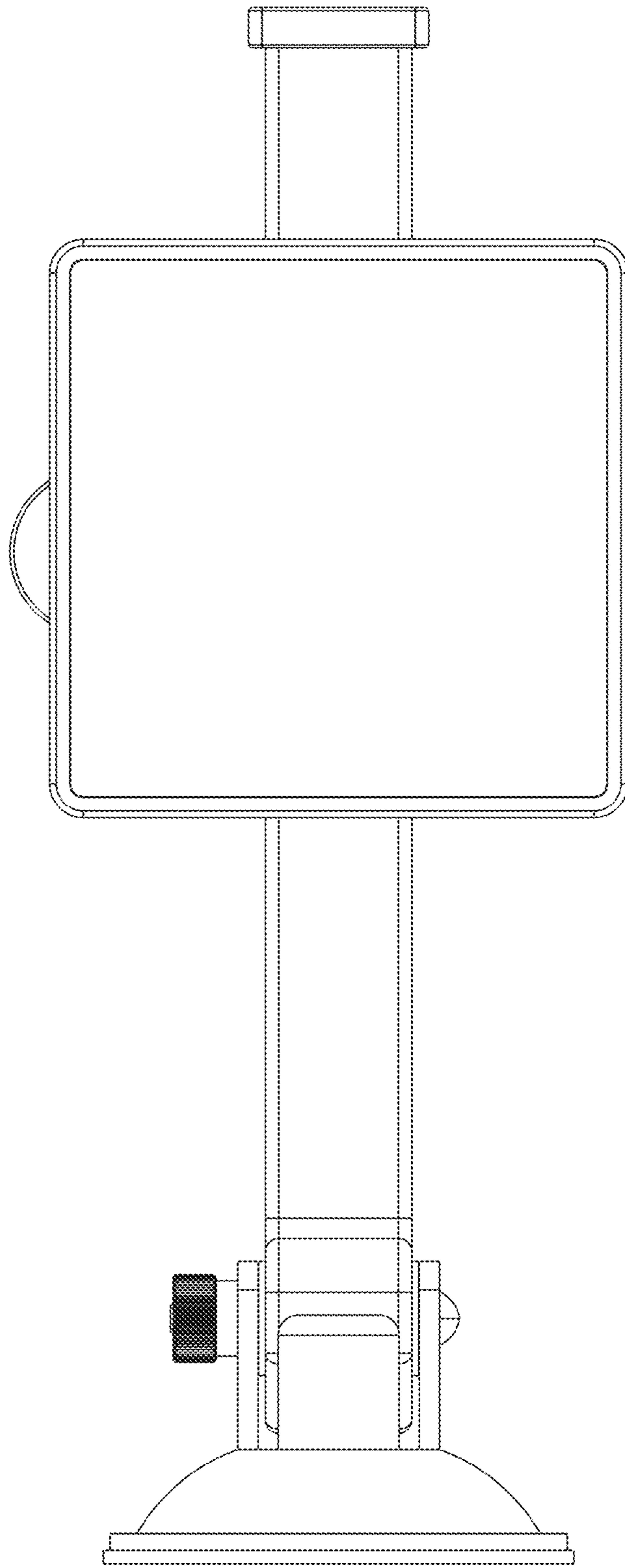


FIG. 1

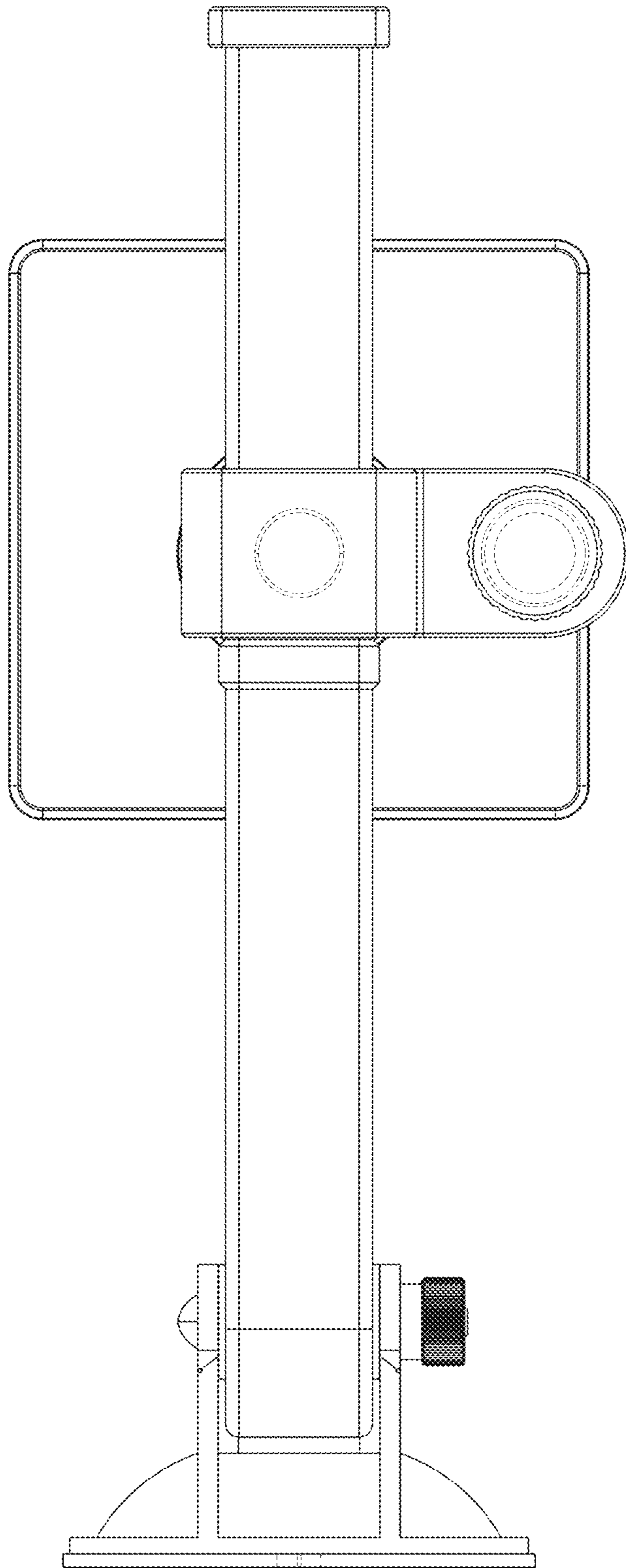


FIG.2

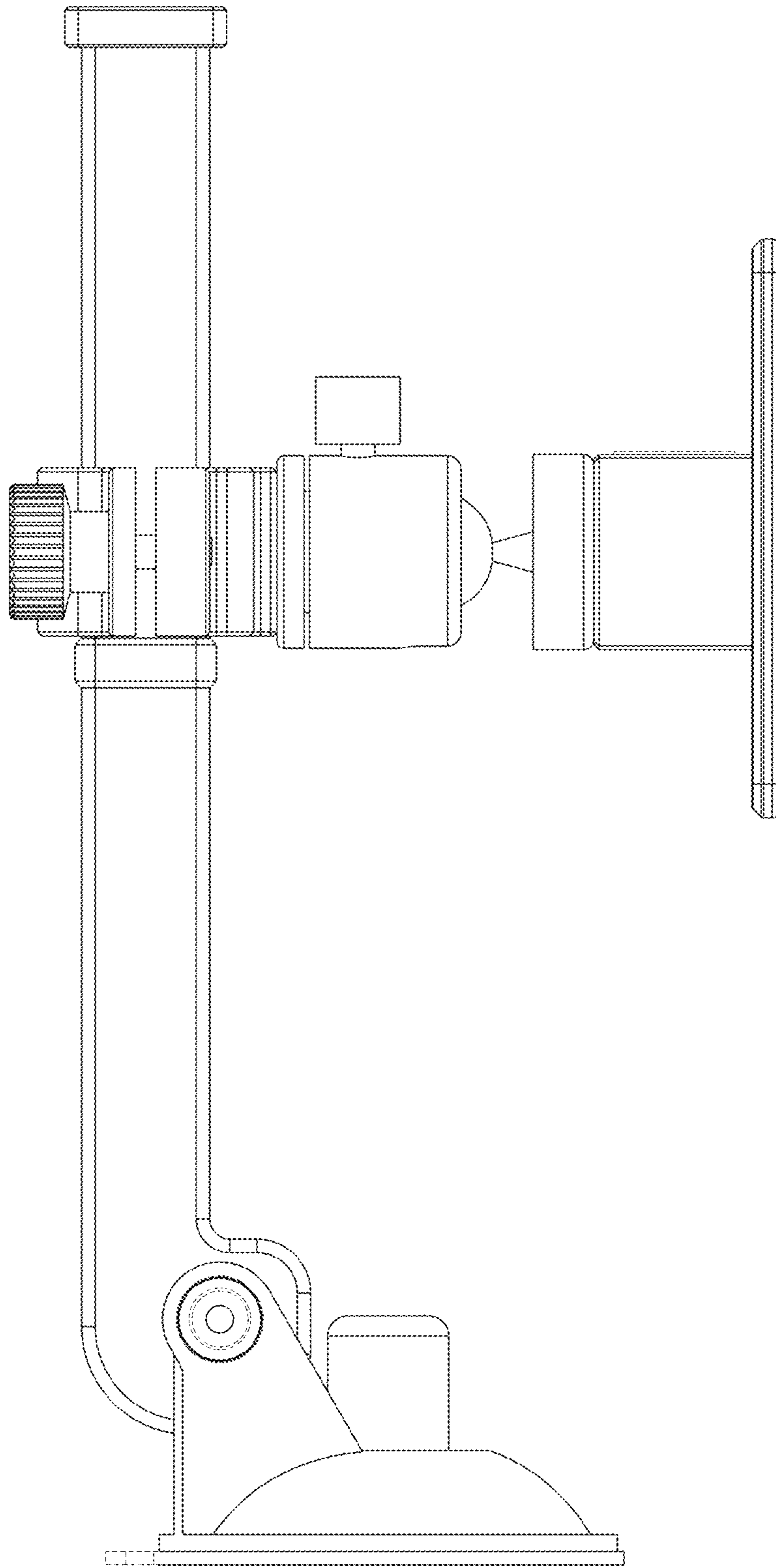


FIG.3

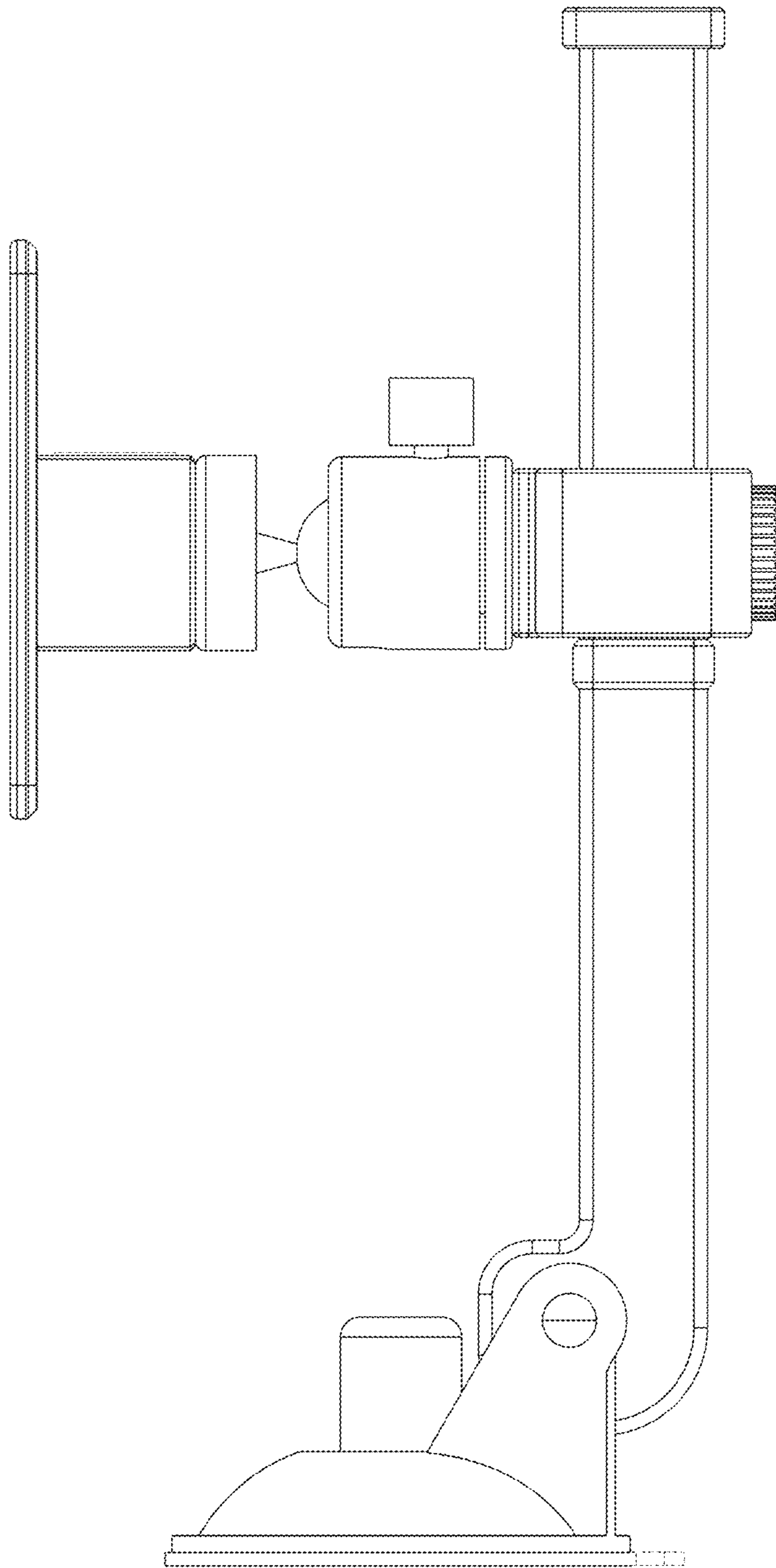


FIG.4

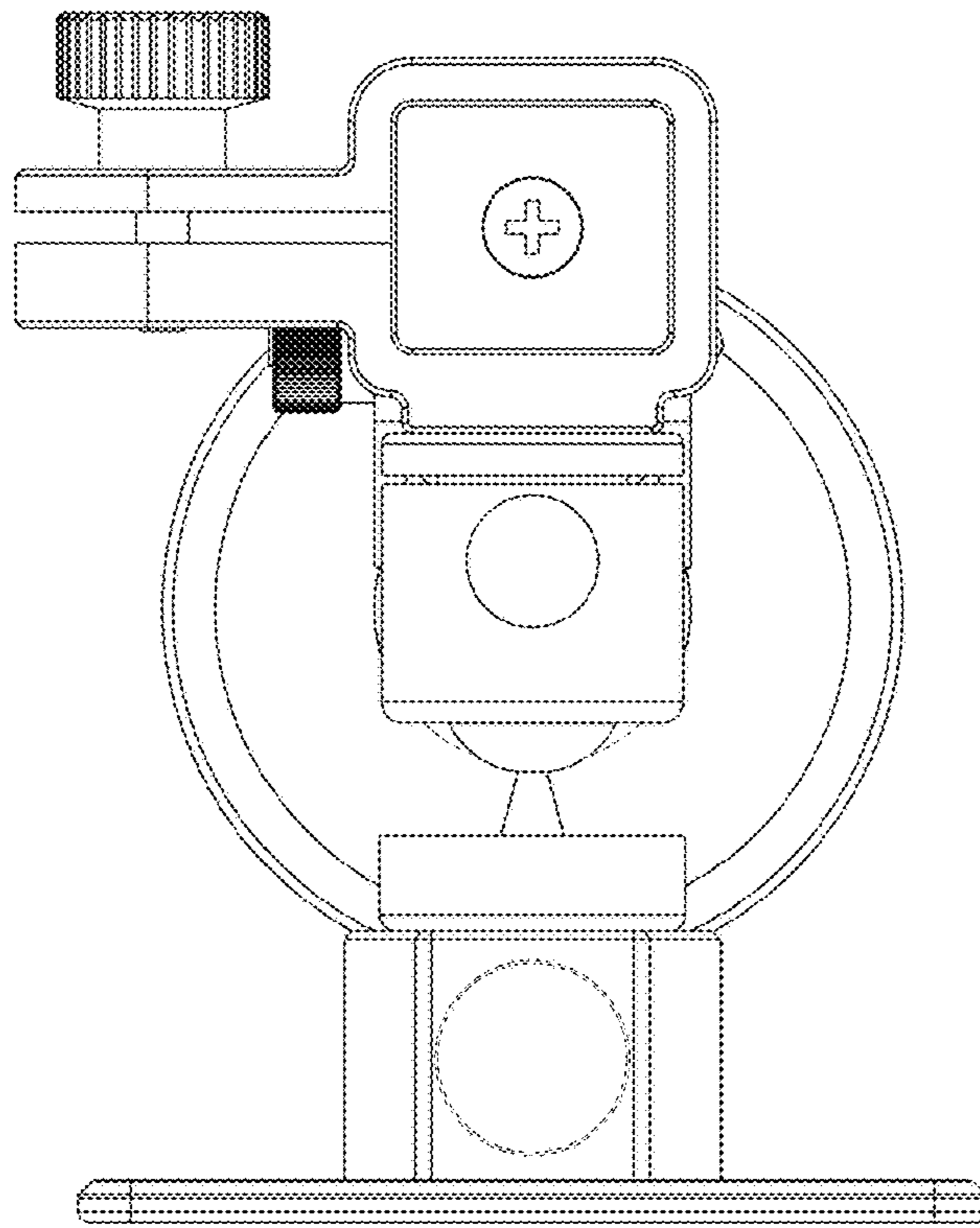


FIG. 5

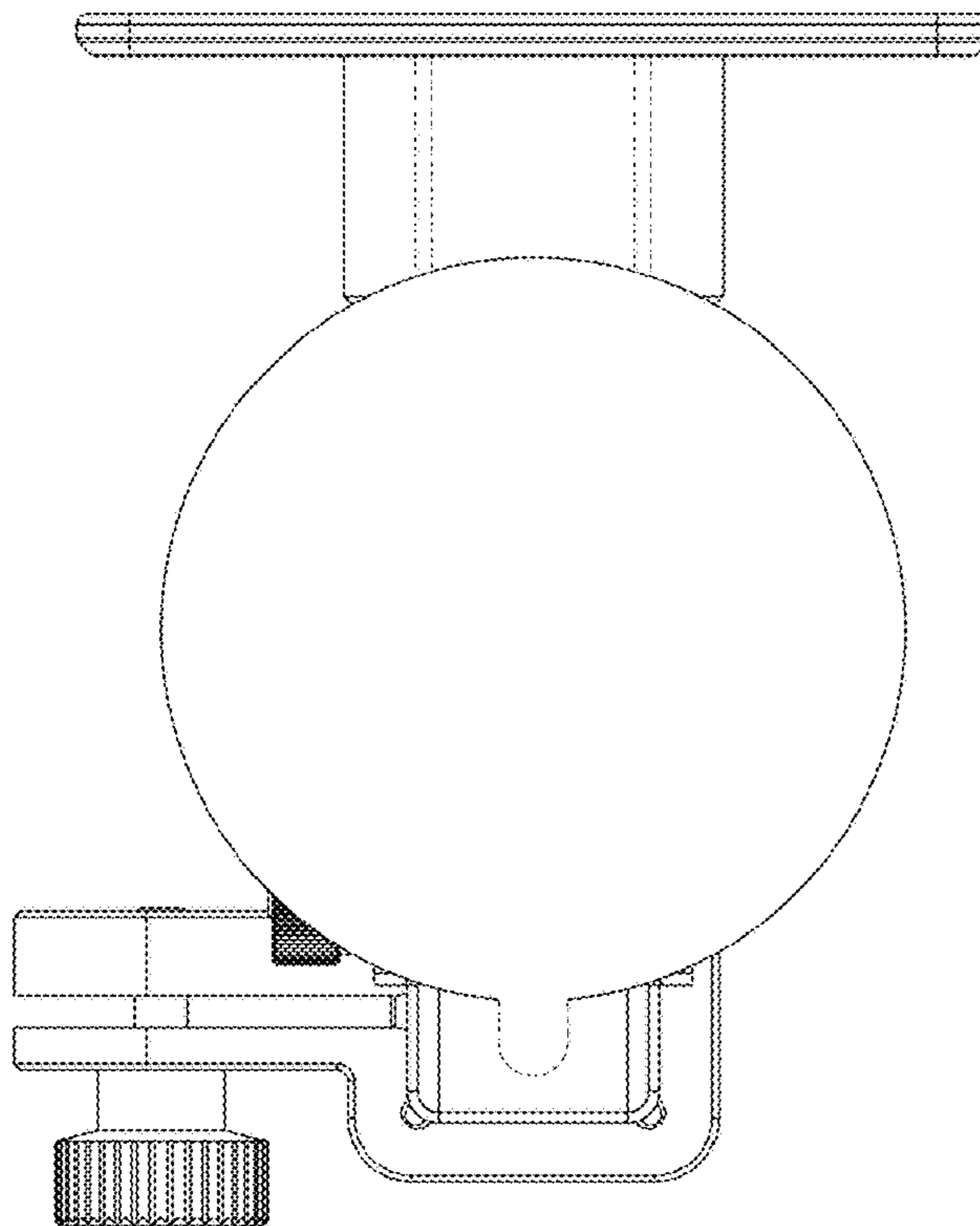


FIG. 6

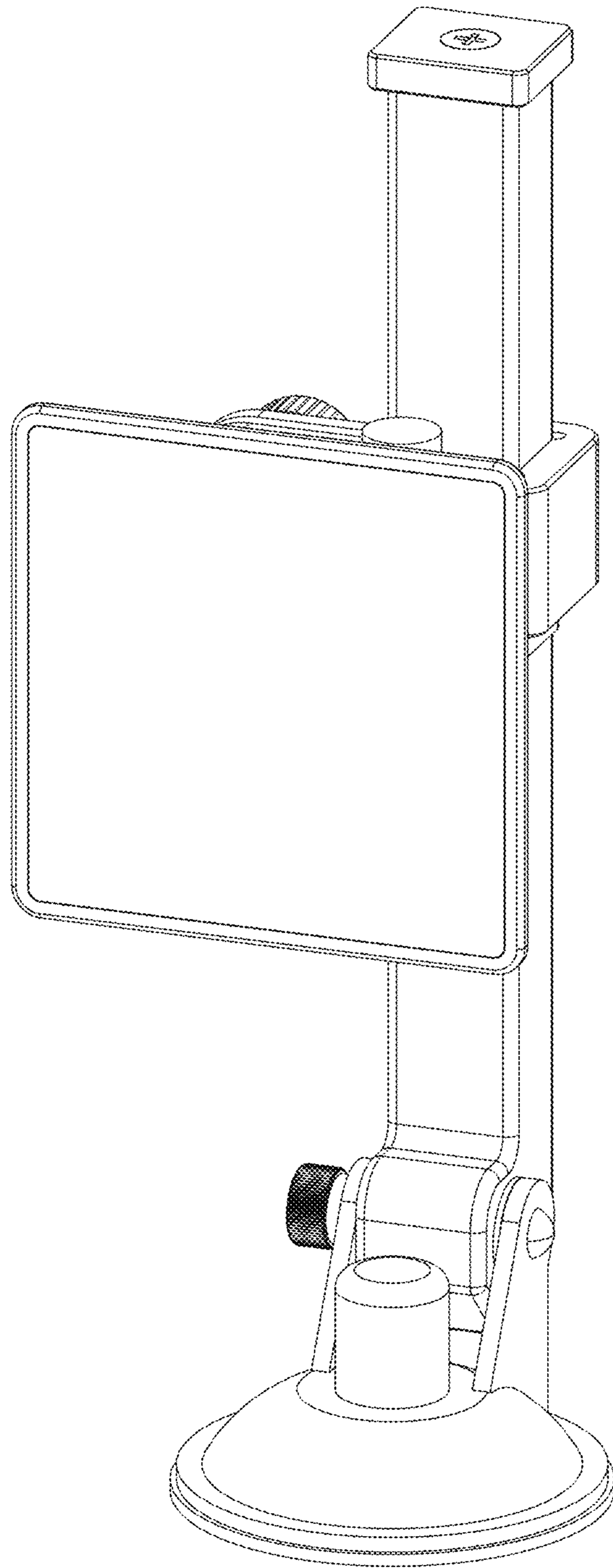


FIG.7