



US00D934088S

(12) **United States Design Patent** (10) **Patent No.:** **US D934,088 S**  
**Chen** (45) **Date of Patent:** **\*\* Oct. 26, 2021**

(54) **SOUND LEVEL METER**  
(71) Applicant: **Li-Chuan Chen**, Taipei (TW)  
(72) Inventor: **Li-Chuan Chen**, Taipei (TW)  
(\*\*) Term: **15 Years**  
(21) Appl. No.: **29/718,848**  
(22) Filed: **Dec. 30, 2019**  
(51) **LOC (13) Cl.** ..... **10-04**  
(52) **U.S. Cl.**  
USPC ..... **D10/46; D10/78**  
(58) **Field of Classification Search**  
USPC ..... D10/46, 47, 49, 61, 62, 65, 70, 75, 78,  
D10/80, 83, 84, 85, 96; D14/218  
CPC ..... G01H 3/00; G01H 3/04; G01H 3/0408;  
G01H 3/10; G01H 5/00; G01H 7/00  
See application file for complete search history.

D714,167 S \* 9/2014 Hyllbrant ..... D10/46  
D718,161 S \* 11/2014 Derr ..... D10/81  
D726,164 S \* 4/2015 Feldstein ..... D14/218  
D741,733 S \* 10/2015 Chen ..... D10/83  
D807,212 S \* 1/2018 Chen ..... D10/78  
D846,413 S \* 4/2019 Wang ..... D10/78  
D852,073 S \* 6/2019 Zhao ..... D10/78  
D885,220 S \* 5/2020 McGugan ..... D10/83  
2020/0365171 A1\* 11/2020 Souissi ..... H04R 3/005

\* cited by examiner

*Primary Examiner* — Katherine Glennon  
(74) *Attorney, Agent, or Firm* — Alan D. Kamrath; Karin L. Williams; Mayer & Williams PC

(57) **CLAIM**

The ornamental design for a sound level meter, as shown and described.

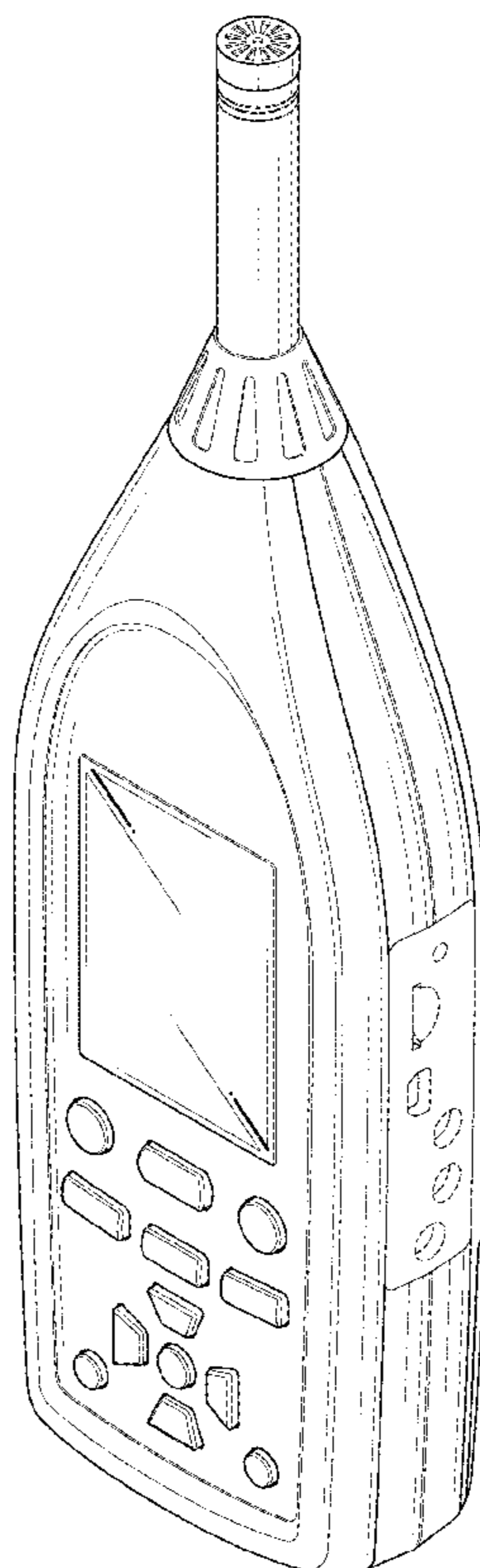
**DESCRIPTION**

FIG. 1 is a front perspective view of a sound level meter showing my new design;  
FIG. 2 is a front elevation view thereof;  
FIG. 3 is a rear elevation view thereof;  
FIG. 4 is a left side elevation view thereof;  
FIG. 5 is a right side elevation view thereof;  
FIG. 6 is a top plan view thereof;  
FIG. 7 is a bottom plan view thereof; and,  
FIG. 8 is a rear perspective view thereof.  
The broken lines show portions of the article that form no part of the claimed design.

(56) **References Cited**  
U.S. PATENT DOCUMENTS

D361,288 S \* 8/1995 Chandwick ..... D10/78  
D477,540 S \* 7/2003 Chen ..... D10/46  
D483,277 S \* 12/2003 Chen ..... D10/46  
D483,680 S \* 12/2003 Chen ..... D10/46  
D502,416 S \* 3/2005 Chen ..... D10/78  
D512,655 S \* 12/2005 McGugan ..... D10/46  
D600,149 S \* 9/2009 Chen ..... D10/78  
D620,818 S \* 8/2010 Chen ..... D10/52  
D646,599 S \* 10/2011 Chen ..... D10/78

**1 Claim, 8 Drawing Sheets**



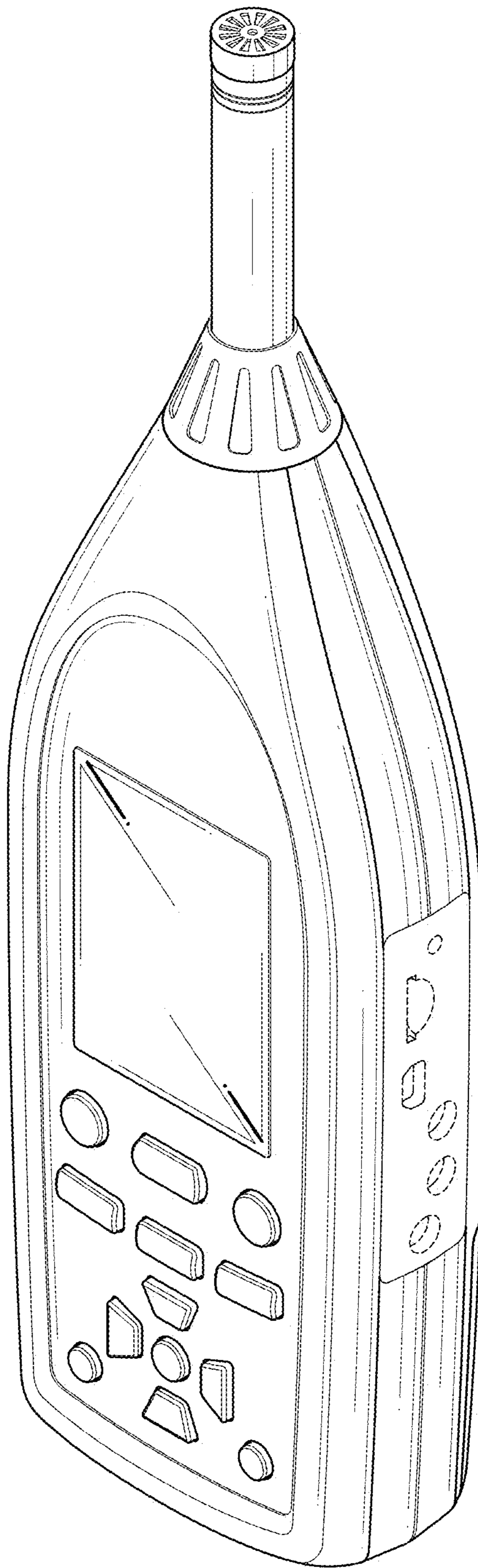


FIG.1

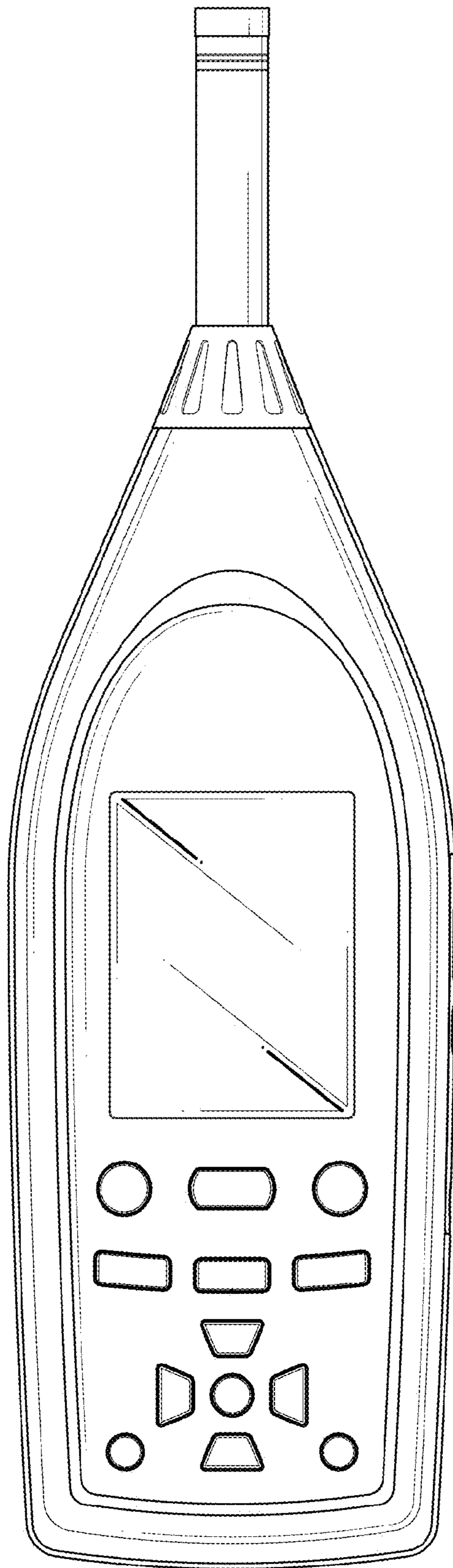


FIG.2

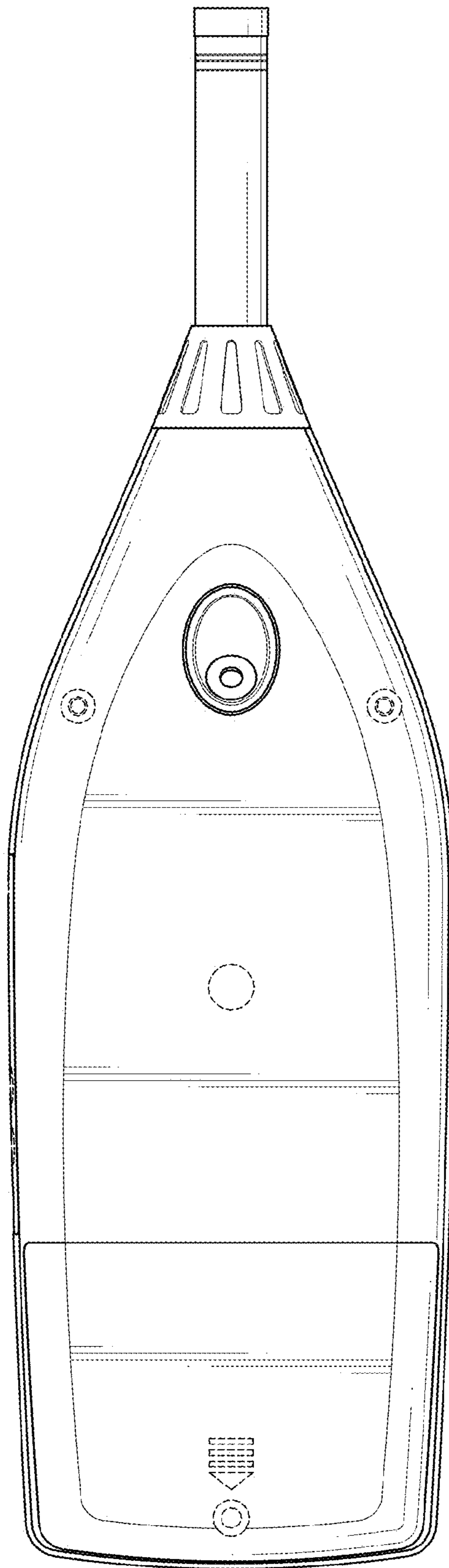


FIG.3

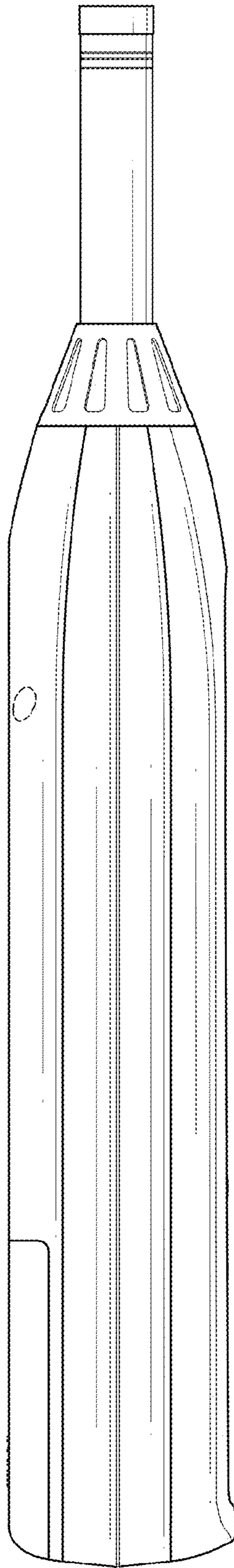


FIG.4

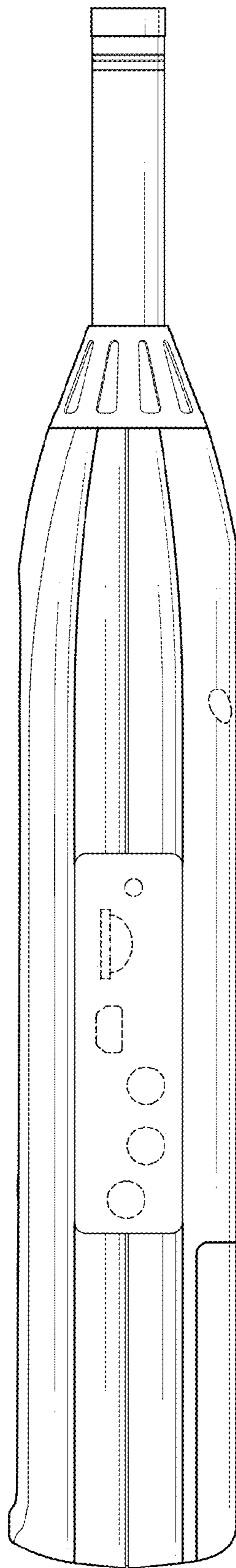


FIG.5

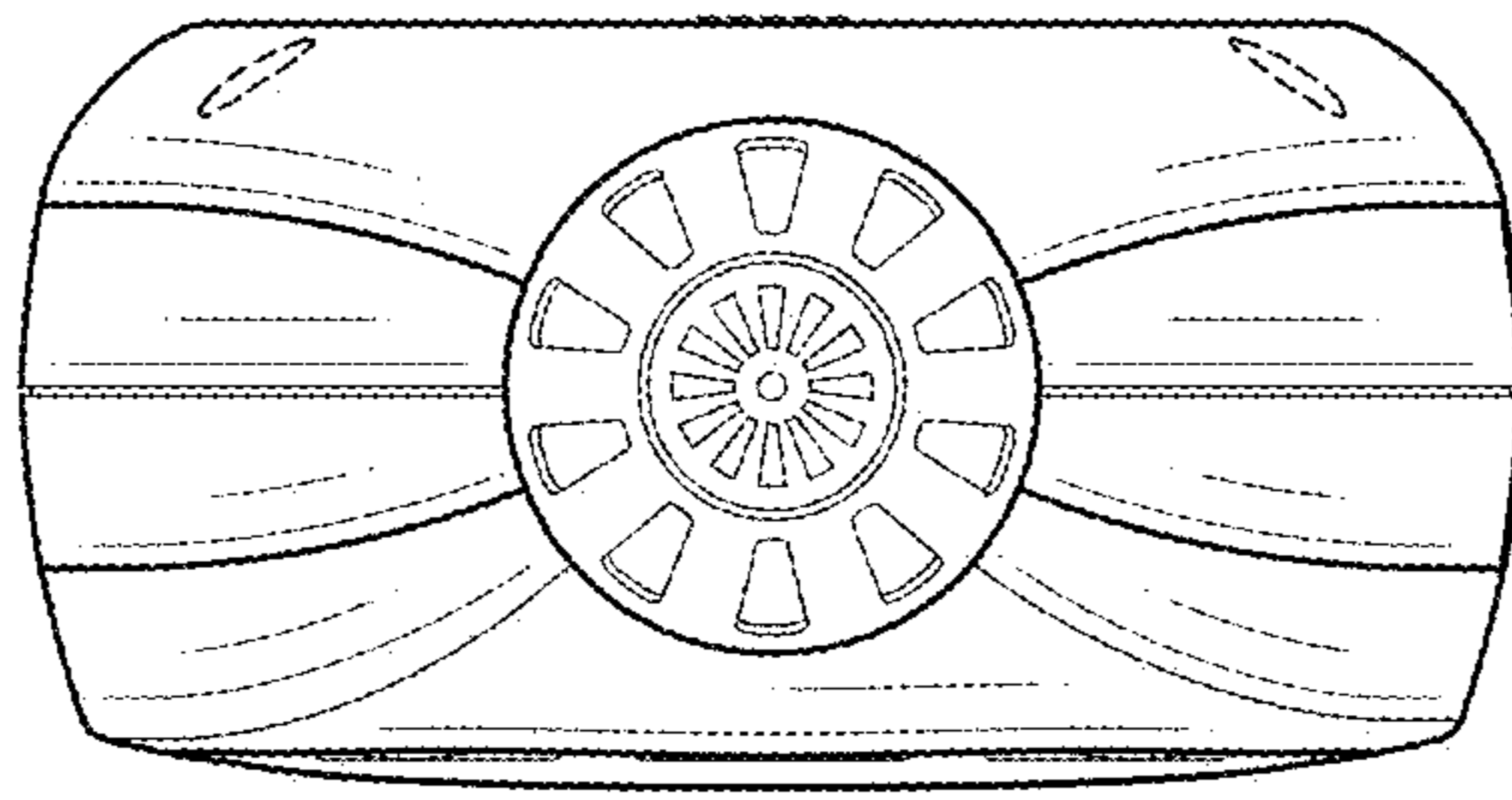


FIG.6

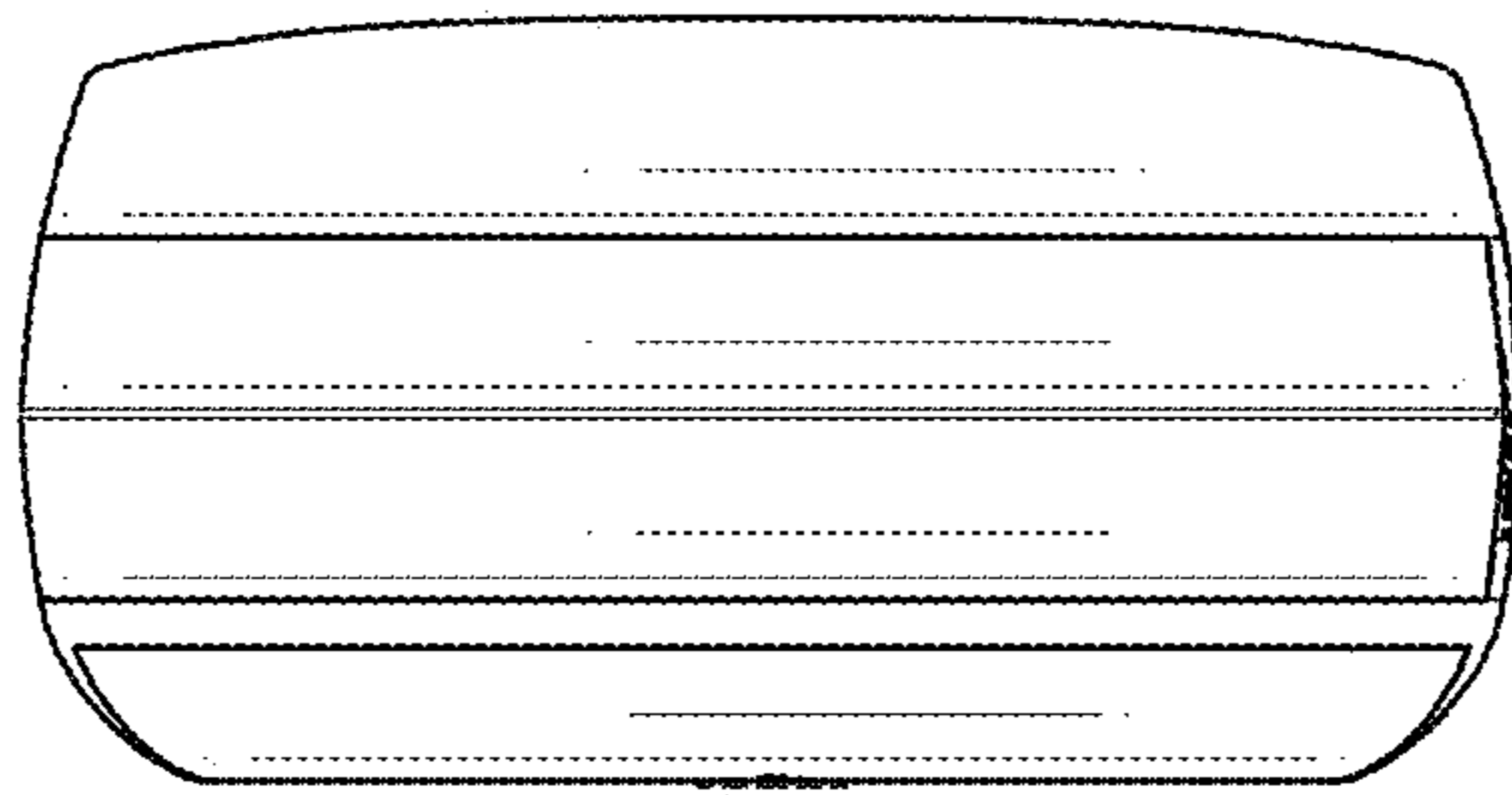


FIG.7



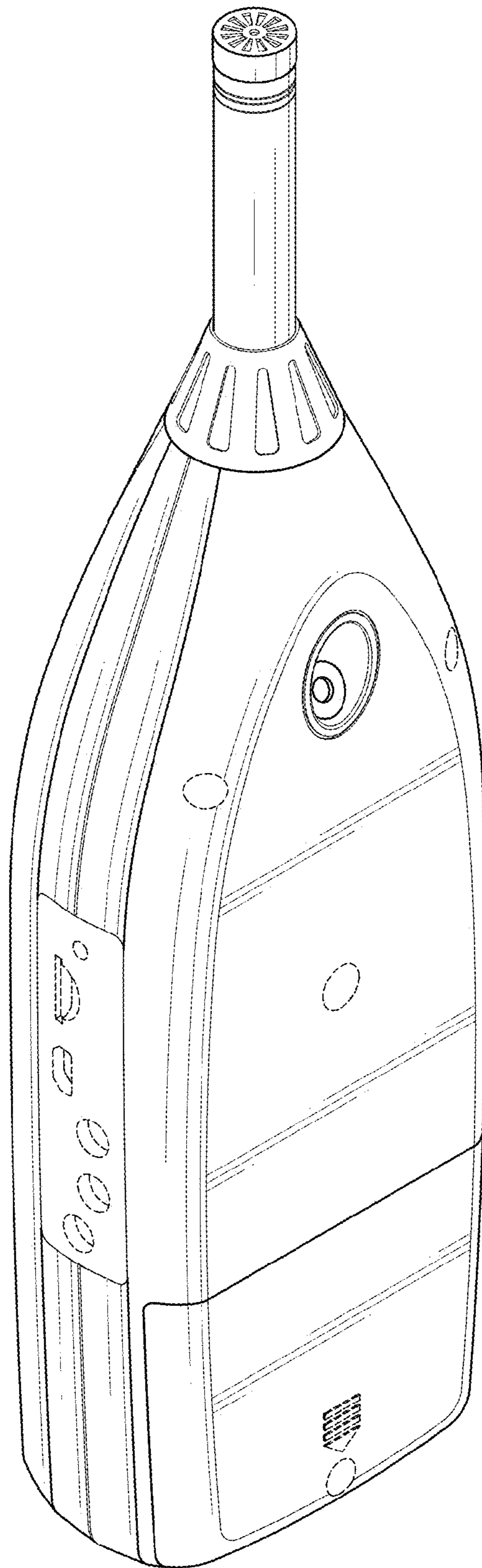


FIG.8