



US00D934087S

(12) **United States Design Patent** (10) **Patent No.:** **US D934,087 S**  
**Valzan** (45) **Date of Patent:** **\*\* Oct. 26, 2021**

(54) **WATCH**

(71) Applicant: **Harry Winston SA**, Plan-les-Ouates (CH)

(72) Inventor: **Sophie Valzan**, Plan-les-Ouates (CH)

(73) Assignee: **Harry Winston SA**, Plan-les-Ouates (CH)

(\*\*) Term: **15 Years**

(21) Appl. No.: **29/698,442**

(22) Filed: **Jul. 17, 2019**

(30) **Foreign Application Priority Data**

Jan. 17, 2019 (WO) ..... DM/200356

(51) **LOC (13) Cl.** ..... **10-02**

(52) **U.S. Cl.**  
USPC ..... **D10/38**

(58) **Field of Classification Search**  
USPC ..... D10/30, 31, 32, 33, 34, 35, 36, 37, 38,  
D10/39, 122, 123, 124, 125, 126, 128;  
D11/3, 4, 12, 86  
CPC .... G04B 37/00; G04B 37/0008; G04B 37/04;  
G04B 37/18; G04B 37/22; G04B 37/10;  
G04B 45/00; G04B 45/0076; G04B  
45/0038; G04B 45/0061; G04B 19/00;  
G04B 19/06

See application file for complete search history.

(56) **References Cited**

**U.S. PATENT DOCUMENTS**

D260,970 S \* 9/1981 Dinh Van ..... D10/39  
D266,909 S \* 11/1982 Schwab ..... D10/39  
D267,548 S \* 1/1983 Wada ..... D10/38  
D269,767 S \* 7/1983 Houlihan ..... D10/38  
D277,649 S \* 2/1985 Glauser ..... D10/32  
D286,512 S \* 11/1986 Ichikawa ..... D10/38

D294,916 S \* 3/1988 Kabaya ..... D10/30  
D382,211 S \* 8/1997 Bodino ..... D10/30  
D443,526 S \* 6/2001 Wunderman ..... D10/30  
D524,175 S \* 7/2006 Zanette ..... D10/38  
D567,114 S \* 4/2008 Cattin ..... D10/32  
D631,762 S \* 2/2011 Vollet ..... D10/32  
D727,175 S \* 4/2015 Graff ..... D10/32  
D743,277 S \* 11/2015 Riviere ..... D10/32  
D781,724 S \* 3/2017 Abdourahim ..... D10/39

(Continued)

**FOREIGN PATENT DOCUMENTS**

CH 325894 A \* 11/1957 ..... G04B 37/04  
JP 59180484 A \* 10/1984 ..... G04B 37/22

**OTHER PUBLICATIONS**

Amazon, Akribos XXIV Women's Quartz Watch, posted Sep. 15, 2016, [online], [visited Jan. 11, 2021], Internet, <URL: https://www.amazon.co.uk/Akribos-XXIV-Watch-AK909GN\_Dark-Gray/dp/B01LY5MCRS/ref> (Year: 2016).\*

(Continued)

*Primary Examiner* — Sheryl Lane  
*Assistant Examiner* — Samantha N Wood  
(74) *Attorney, Agent, or Firm* — Blank Rome LLP

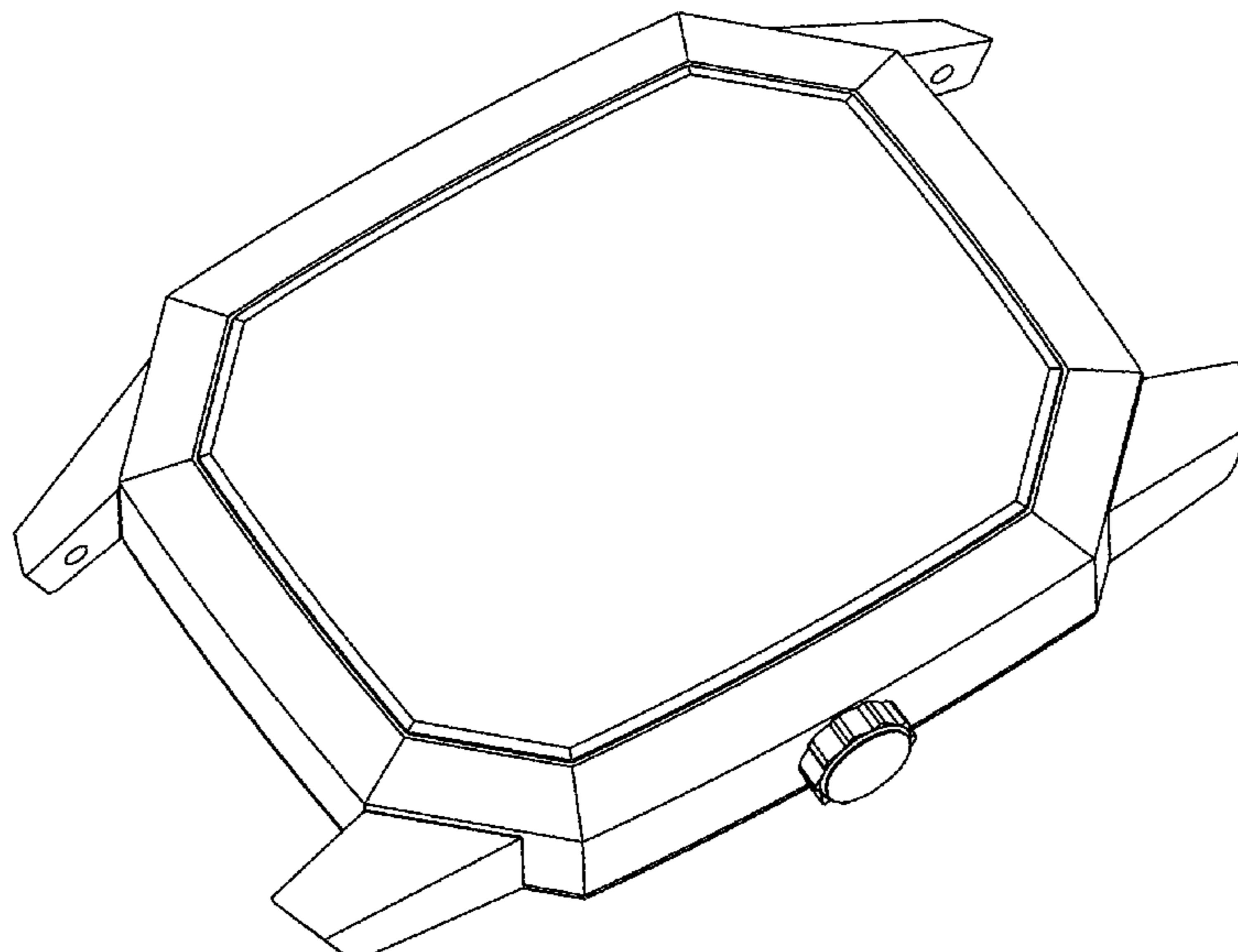
(57) **CLAIM**

The ornamental design for a watch, as shown and described.

**DESCRIPTION**

FIG. 1 is a front view of a watch of the present design;  
FIG. 2 is a rear view thereof;  
FIG. 3 is a left side view thereof;  
FIG. 4 is a top view thereof;  
FIG. 5 is a right side view thereof;  
FIG. 6 is a bottom view thereof;  
FIG. 7 is a front perspective view thereof; and,  
FIG. 8 is a rear perspective view thereof.

**1 Claim, 8 Drawing Sheets**



(56)

**References Cited**

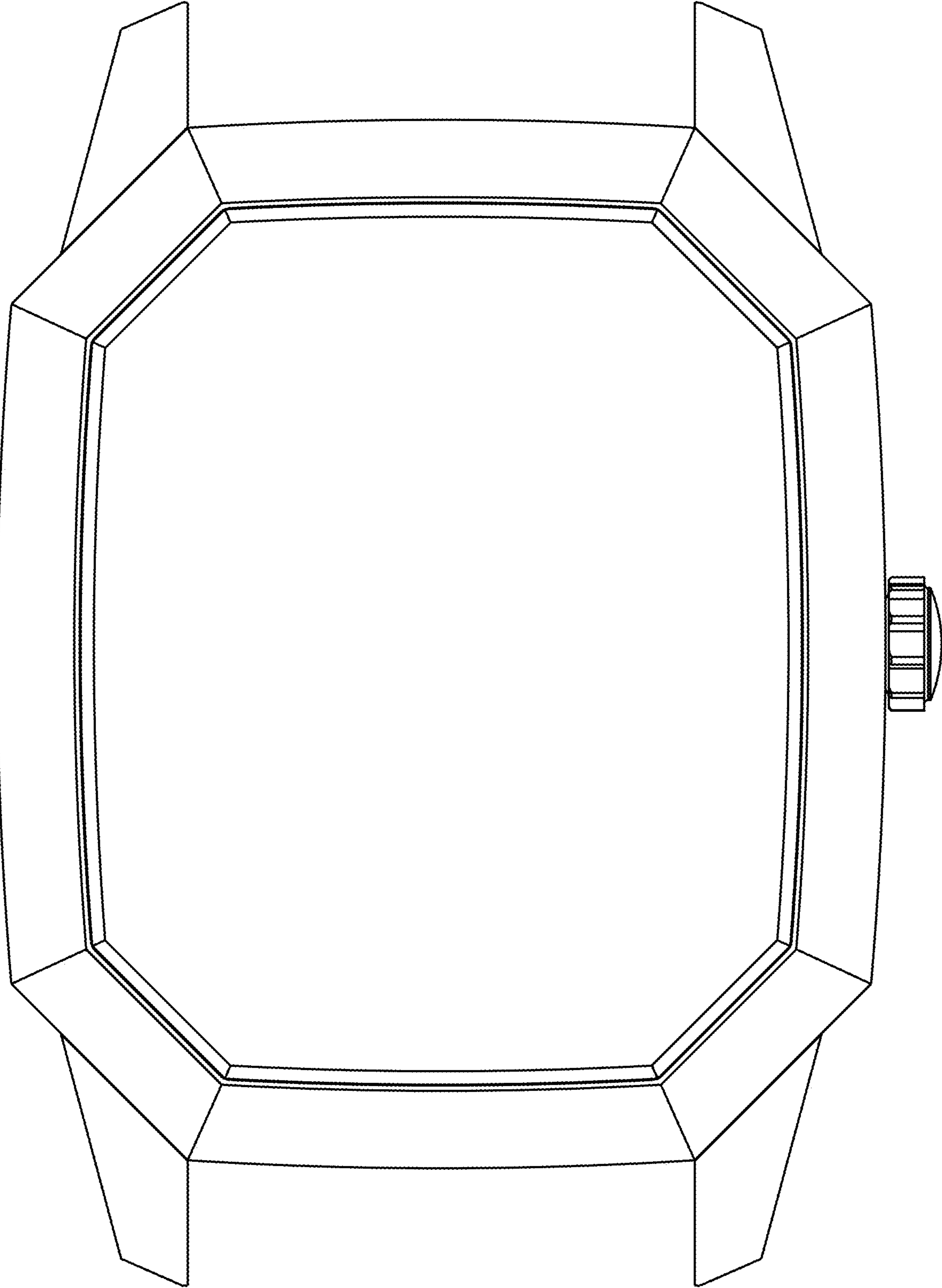
U.S. PATENT DOCUMENTS

D800,581 S \* 10/2017 Valzan ..... D10/30

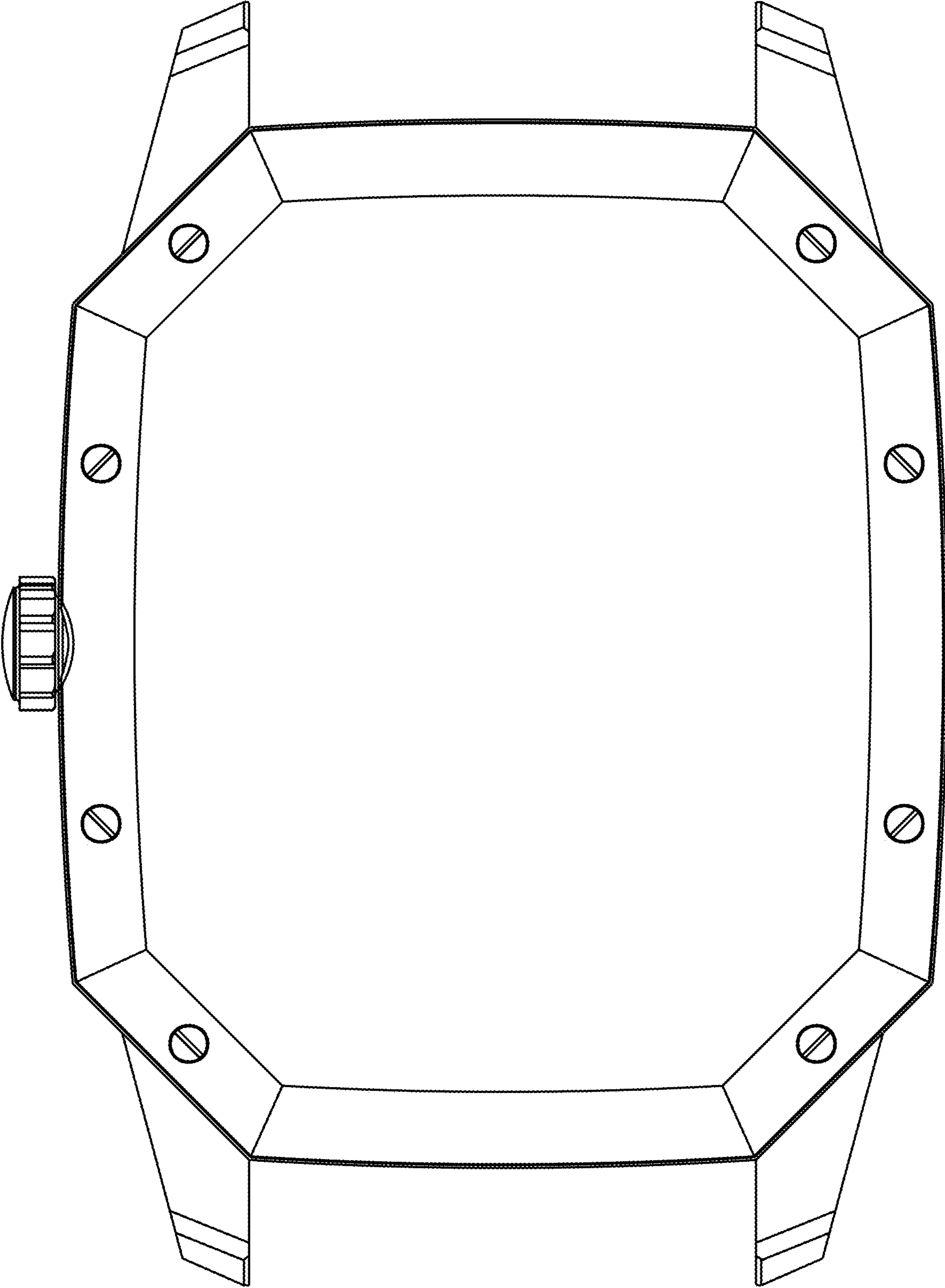
OTHER PUBLICATIONS

Amazon, Casio Collection Women's Watch, posted Jul. 27, 2015, [online], [visited Jan. 11, 2021], Internet, <URL: <https://www.amazon.co.uk/Casio-Collection-Womens-Watch-LQ-400D-7AEF/dp/B010PISQN4/ref>> (Year: 2015).\*

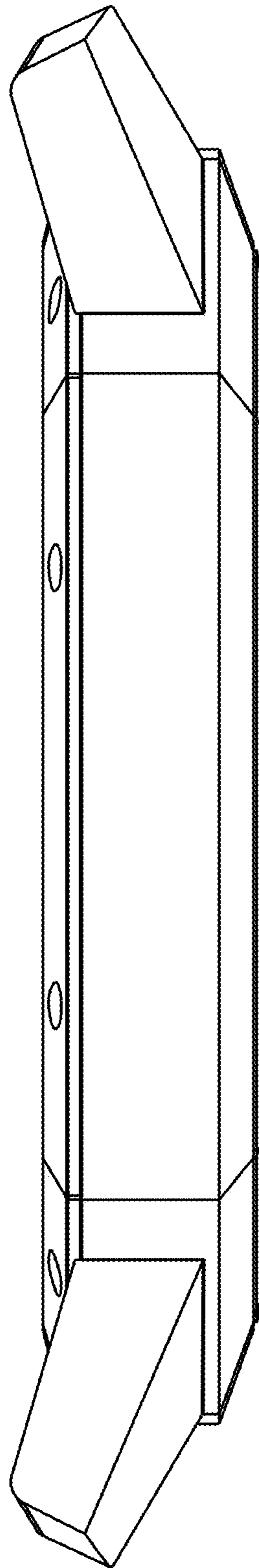
\* cited by examiner



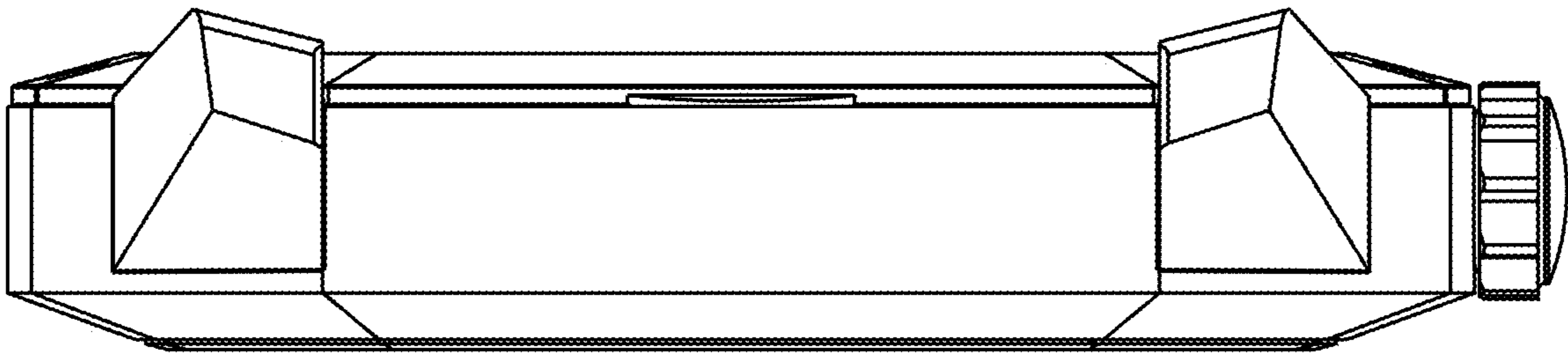
**FIG. 1**



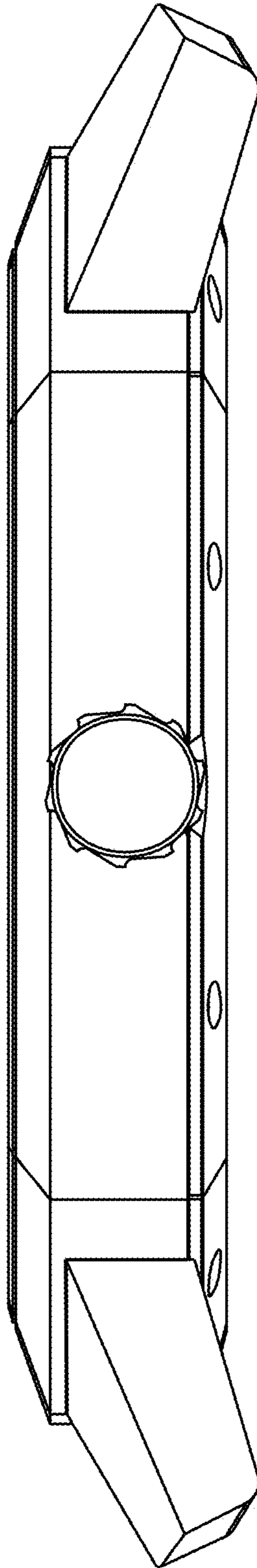
**FIG. 2**



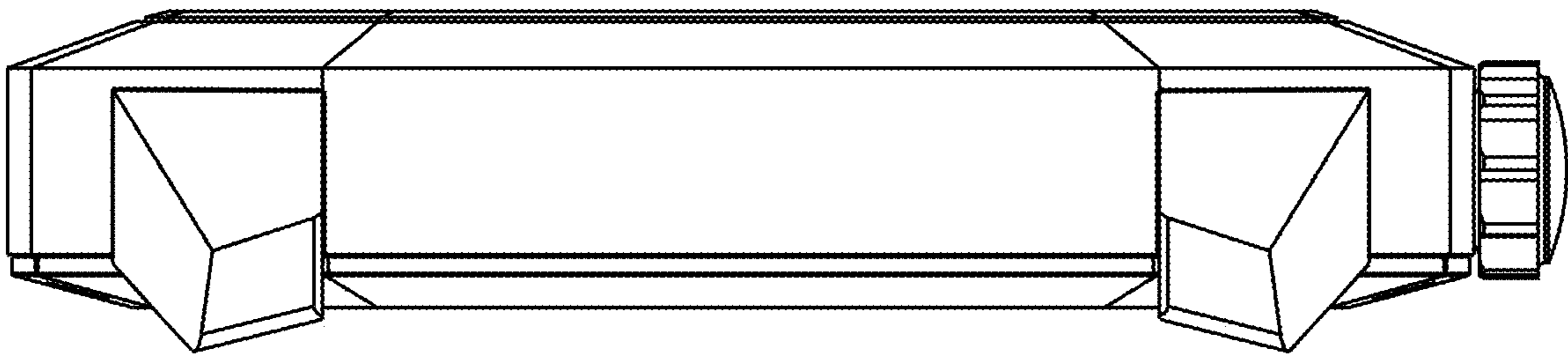
**FIG. 3**



***FIG. 4***

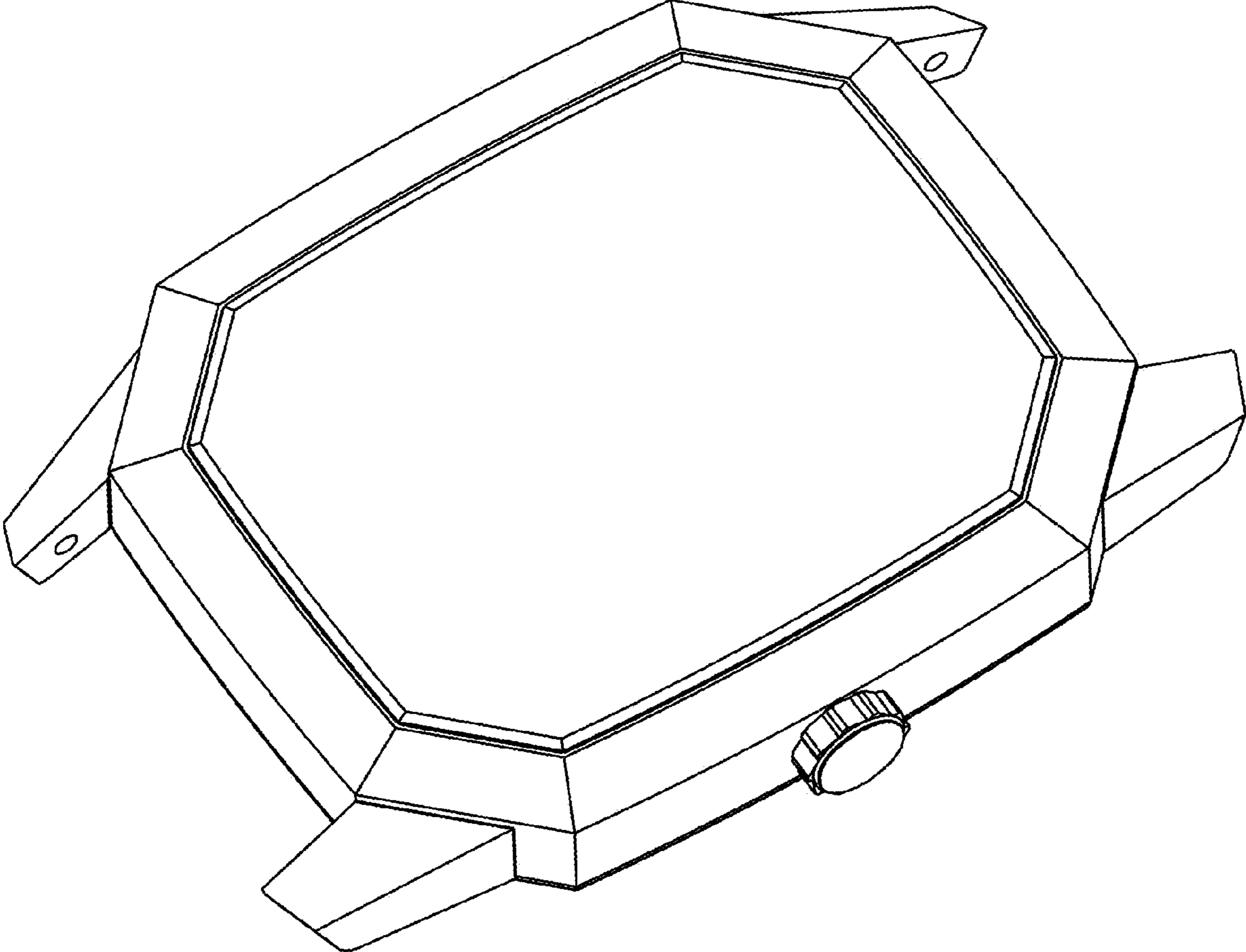


**FIG. 5**

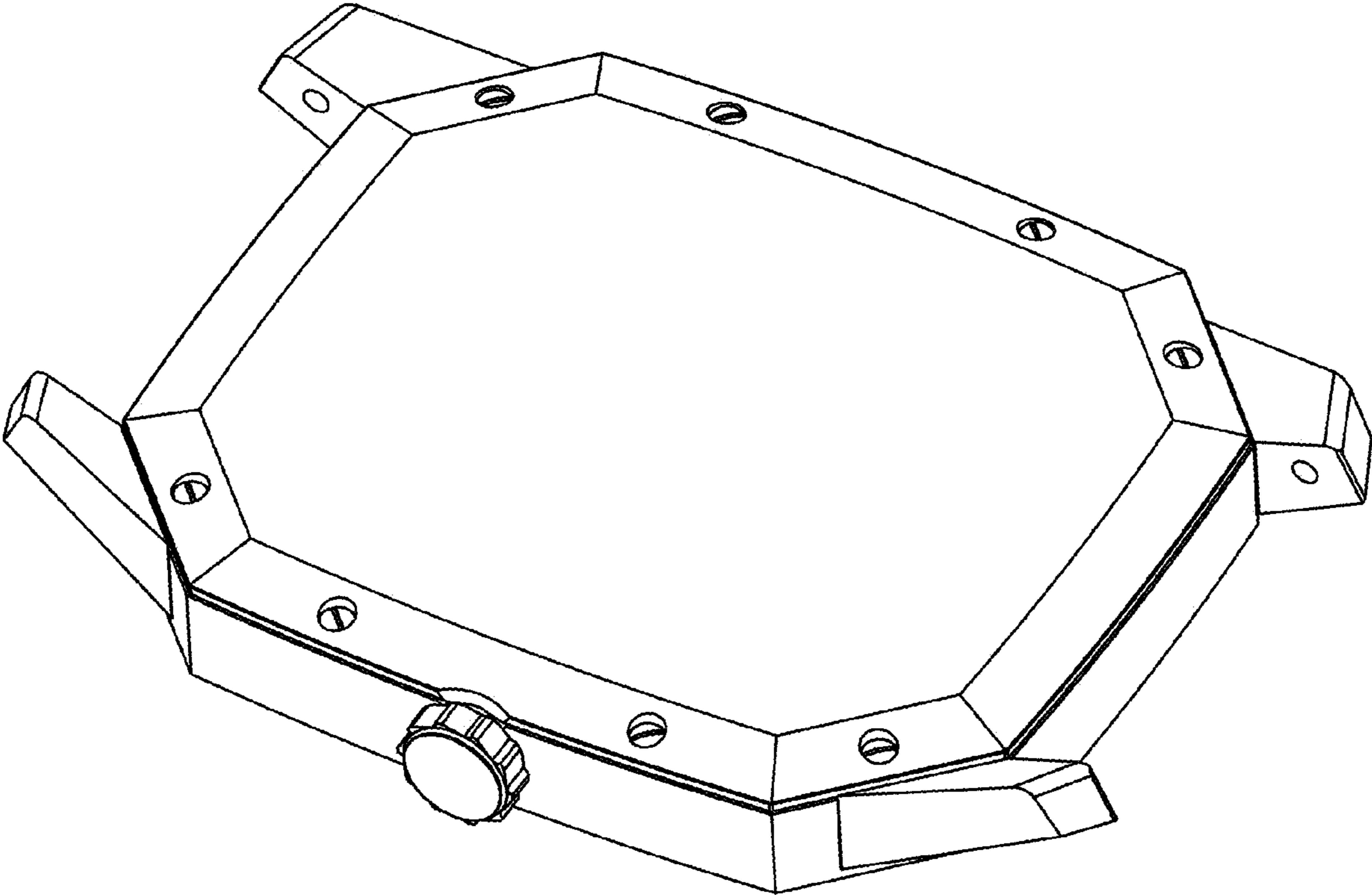


**FIG. 6**





**FIG. 7**



**FIG. 8**