



US00D934086S

(12) **United States Design Patent** (10) **Patent No.:** **US D934,086 S**
Hugo (45) **Date of Patent:** **** Oct. 26, 2021**

(54) **DISPENSER TUBE**
 (71) Applicant: **Edgar Hugo**, Miami, FL (US)
 (72) Inventor: **Edgar Hugo**, Miami, FL (US)
 (**) Term: **15 Years**
 (21) Appl. No.: **29/751,589**
 (22) Filed: **Sep. 22, 2020**
 (51) **LOC (13) Cl.** **09-01**
 (52) **U.S. Cl.**
 USPC **D9/727**
 (58) **Field of Classification Search**
 USPC D6/542; D9/500, 502-504, 516, 520,
 D9/529, 535, 549, 552, 556, 558, 723,
 D9/724, 726, 727, 728, 729
 CPC A45D 34/04; A45D 34/045; A45D 34/047;
 A45D 2034/005; A45D 40/0087; A45D
 40/02; A45D 40/12; A45D 2040/208;
 A45D 40/06; A45D 40/14; A45D 40/16;
 A45D 40/00; E03D 9/037; E03D
 2009/024
 See application file for complete search history.

(56) **References Cited**
 U.S. PATENT DOCUMENTS

D272,046 S	1/1984	Mattheis
D278,751 S	5/1985	Seager
D289,858 S	5/1987	Duval
D310,779 S	9/1990	Gloeckler
D322,395 S	12/1991	Sommer
D338,155 S	8/1993	Sullivan
D438,459 S	3/2001	Holthaus
D449,524 S	10/2001	Kieras

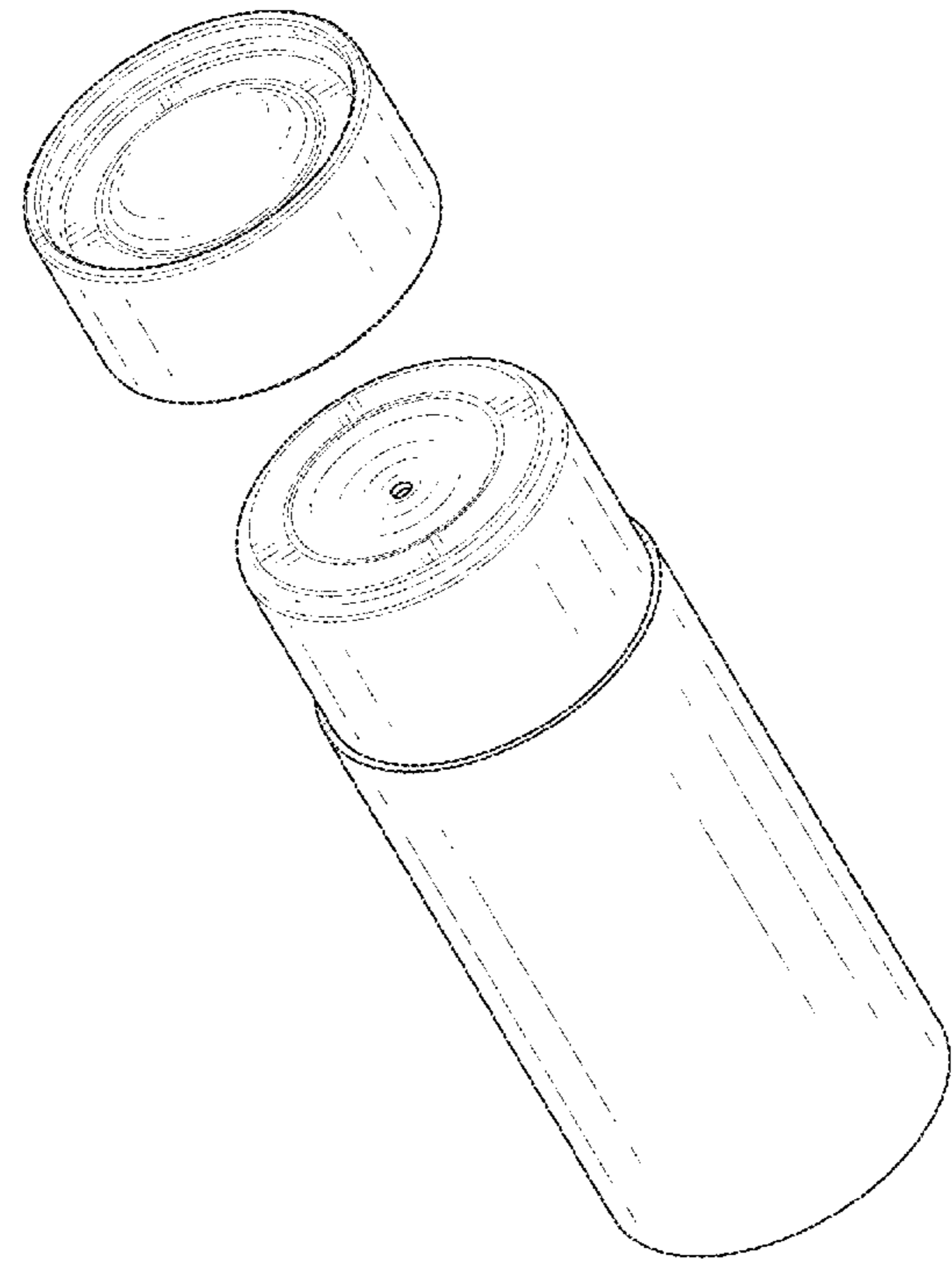
D463,271 S	9/2002	Miranda	
D477,216 S	* 7/2003	Gronwall	D9/727
D604,544 S	* 11/2009	Daams	D6/542
D674,708 S	* 1/2013	Dietvorst	D9/734
D806,475 S	* 1/2018	Pisarevsky	D7/507
D835,519 S	12/2018	Blake	
D835,520 S	12/2018	Petrus	
D867,069 S	* 11/2019	Wang	D7/515
D902,723 S	* 11/2020	Shiota	D9/504
D906,761 S	* 1/2021	Lundstrom	D7/511
D913,786 S	* 3/2021	Groffsky	D9/434

* cited by examiner
Primary Examiner — Wan Laymon
Assistant Examiner — Mark Booker
 (74) *Attorney, Agent, or Firm* — Christopher J. Vandam,
 PA; Chris Van Dam

(57) **CLAIM**
 The ornamental design for a dispenser tube, as shown and described.

DESCRIPTION
 FIG. 1 shows an exploded perspective view of a dispenser tube.
 FIG. 2 shows an exploded perspective view of the dispenser tube.
 FIG. 3 shows an exploded perspective view of the dispenser tube.
 FIG. 4 shows a side elevation view of the dispenser tube; and,
 FIG. 5 shows a top plan view of the dispenser tube.
 The characteristic feature of the design resides in the overall appearance as shown in the drawing.

1 Claim, 5 Drawing Sheets



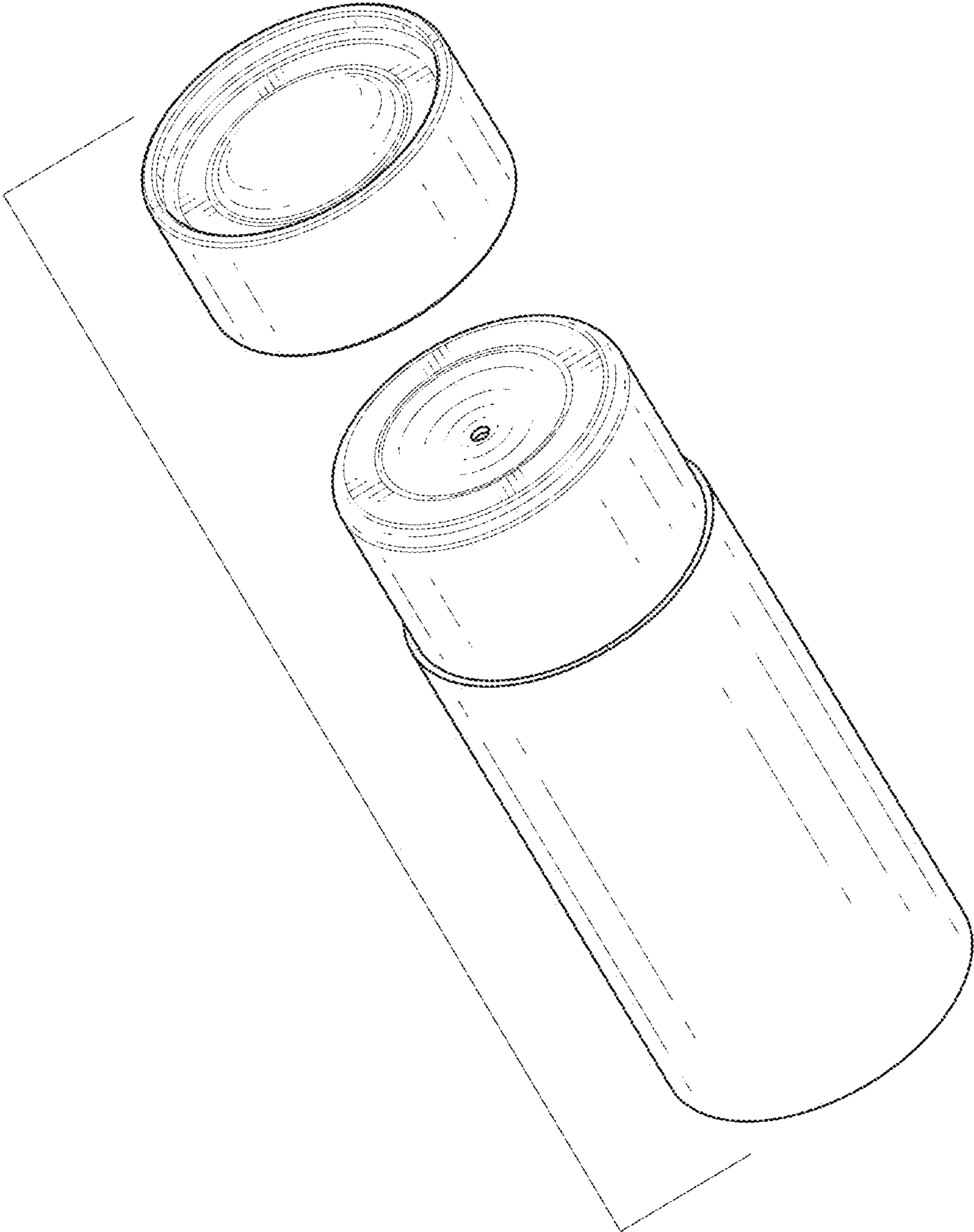


FIG. 1

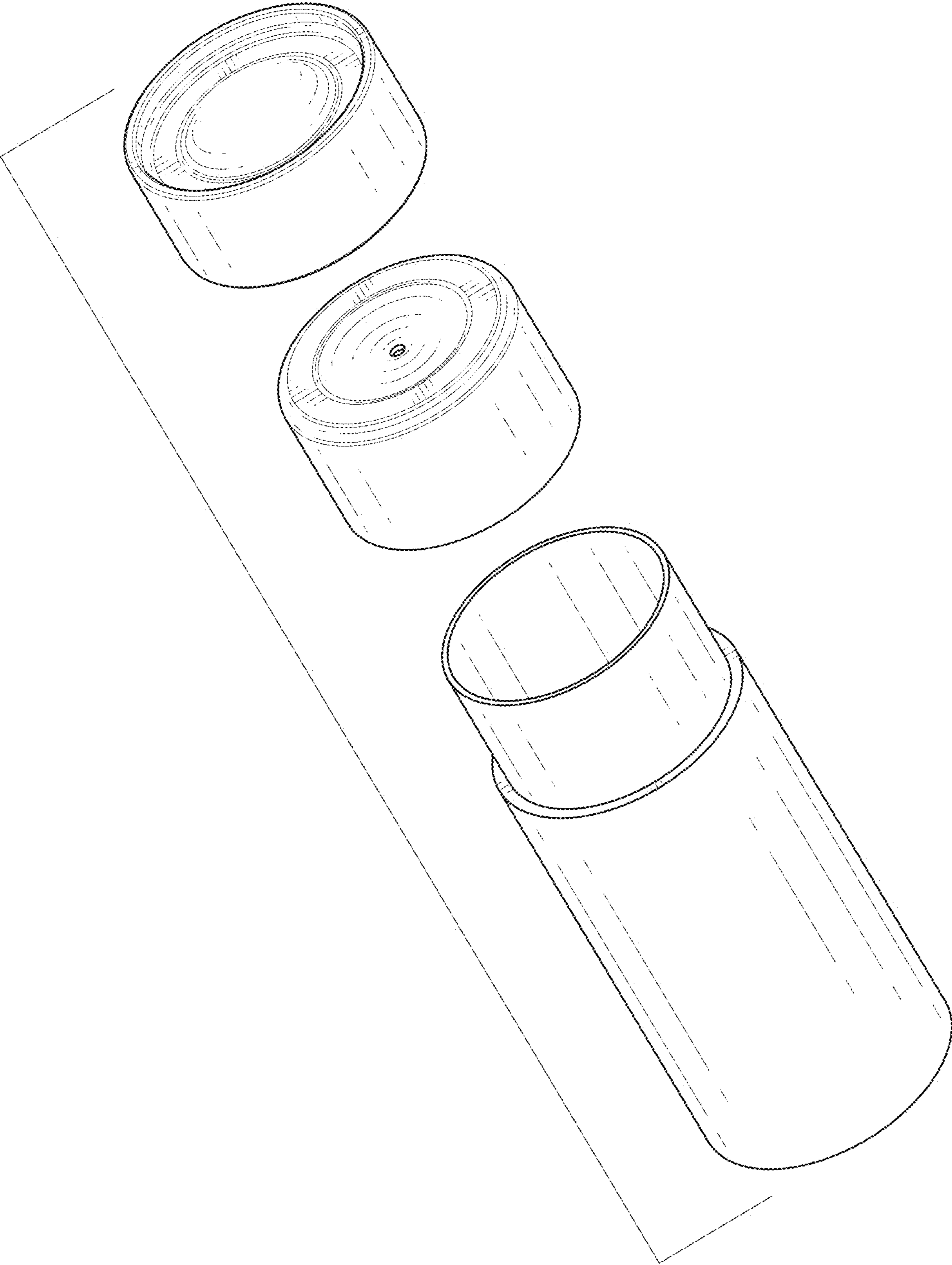


FIG. 2

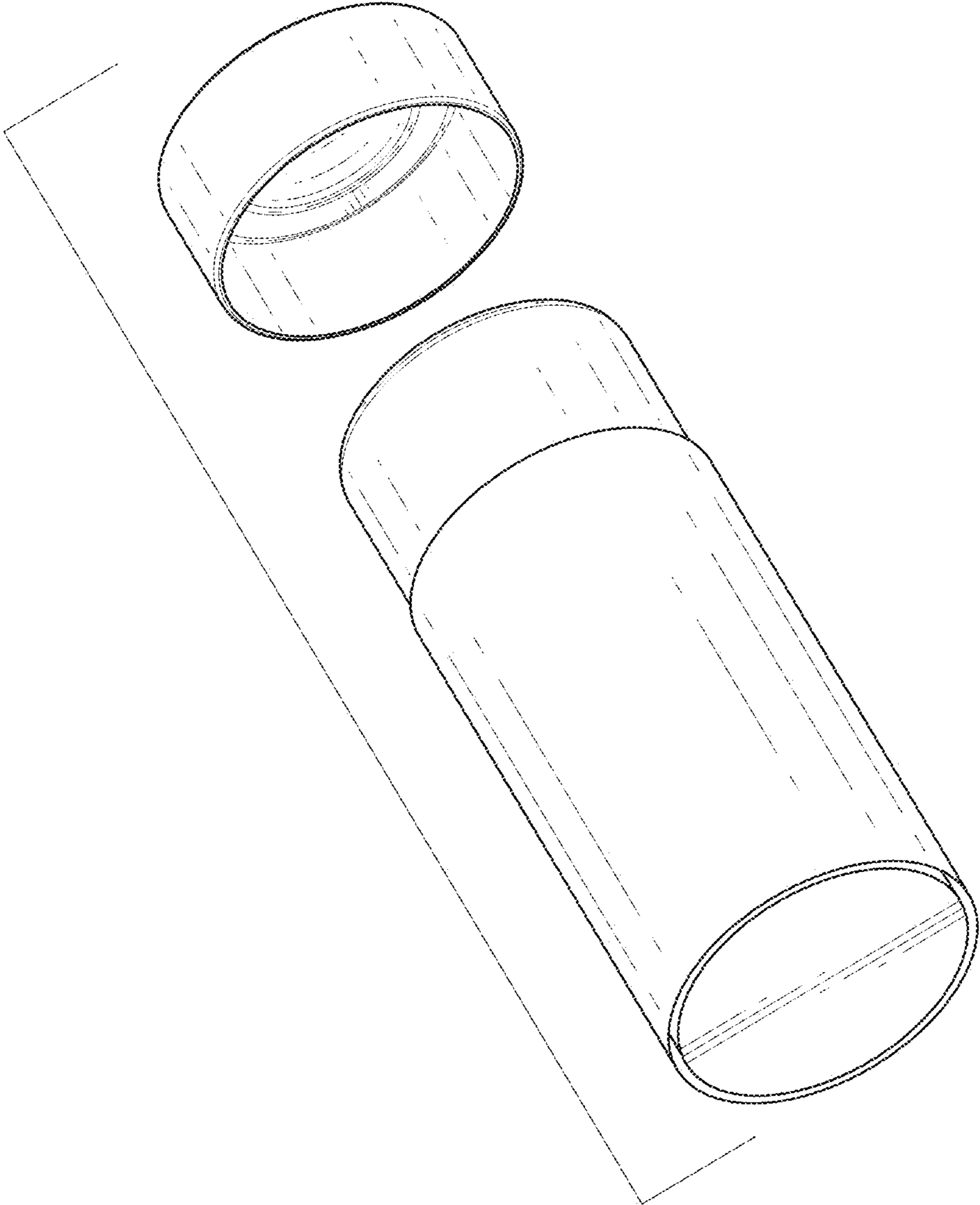


FIG. 3

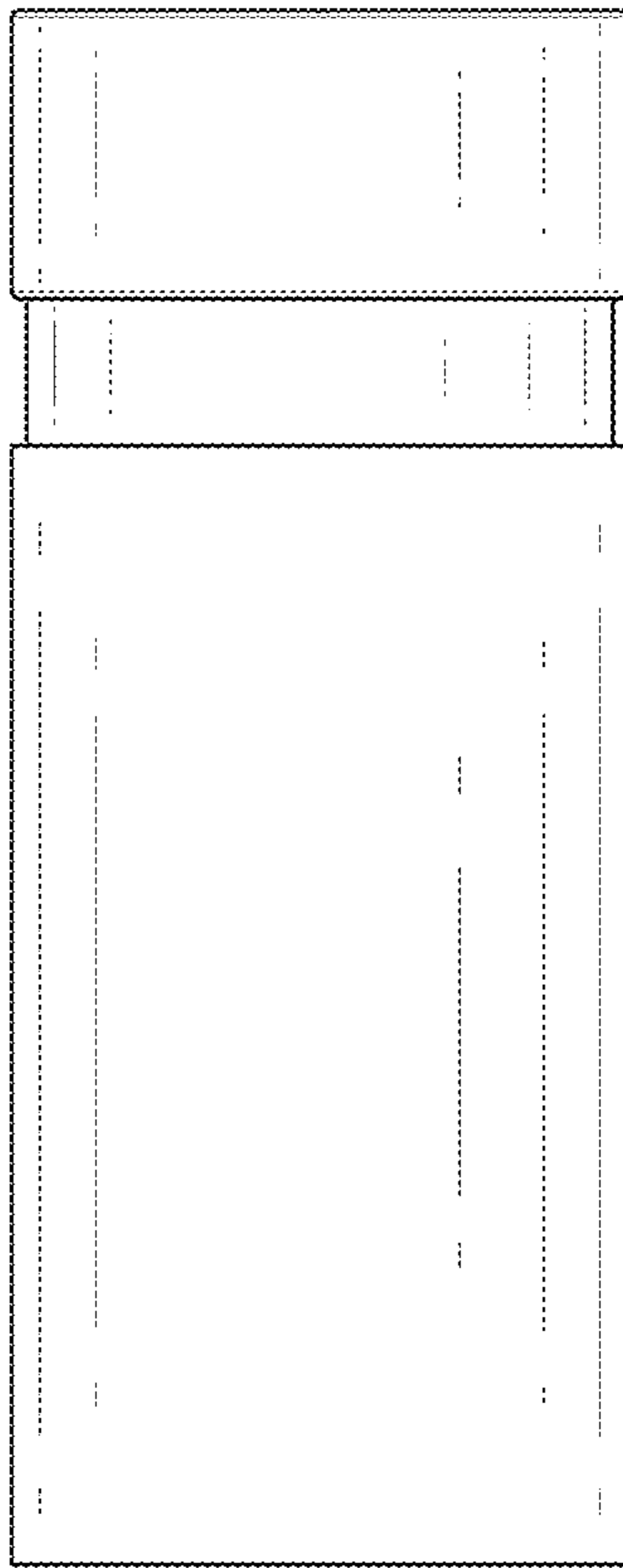


FIG. 4

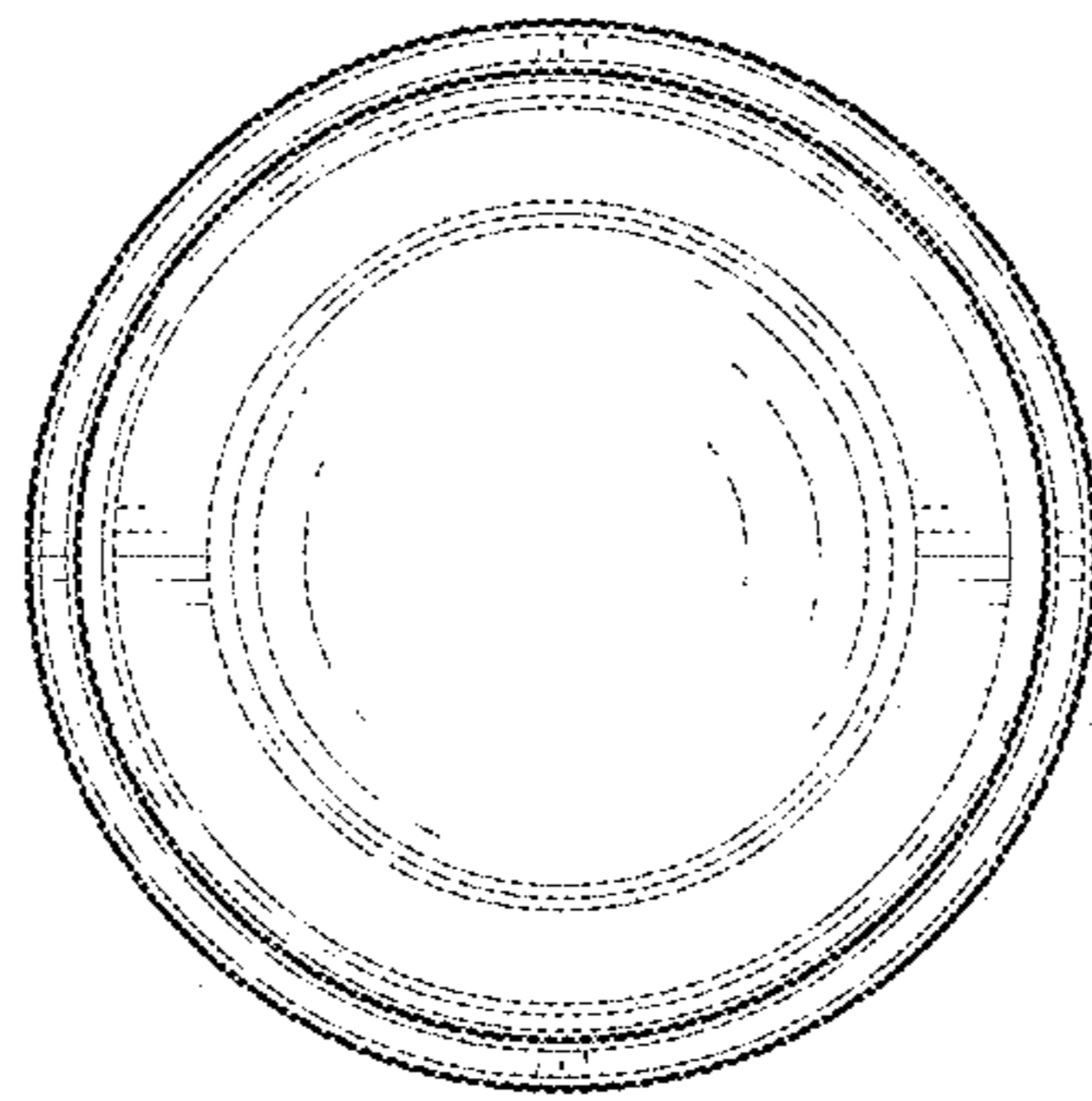


FIG. 5