



US00D934085S

(12) **United States Design Patent**
Moretti

(10) **Patent No.:** **US D934,085 S**
(45) **Date of Patent:** **** Oct. 26, 2021**

(54) **DISPENSING BOTTLE**

(71) Applicant: **Lumson S.p.A.**, Capergnanica (IT)

(72) Inventor: **Matteo Moretti**, Capergnanica (IT)

(73) Assignee: **LUMSON S.P.A.**, Capergnanica (IT)

(**) Term: **15 Years**

(21) Appl. No.: **29/722,378**

(22) Filed: **Jan. 29, 2020**

(30) **Foreign Application Priority Data**

Jul. 31, 2019 (EP) 006657318

(51) **LOC (13) Cl.** **09-05**

(52) **U.S. Cl.**
USPC **D9/695**

(58) **Field of Classification Search**

USPC D9/702-714, 695-699, 435, 440, 521,
D9/454, 544, 723-724, 499, 449,
D9/727-728, 442, 447, 504; 222/92, 96,
222/107, 527-529, 215, 491, 206,
222/212-213, 251, 95, 536; 206/438,
206/822; 220/DIG. 7, 669; 215/321,
215/381, 382, 316, 380; 141/114-115;
D28/91.1, 76-78, 82, 88; D4/114;
D24/114; D7/601-602; D3/202, 205
CPC B65D 35/00; B65D 35/28; B65D 35/02;
B65D 35/04; B65D 35/08; B65D 35/36;
B65D 35/38; B65D 5/00; B65D 5/001;
B65D 5/0227; B65D 5/0254; B65D
5/0045; B65D 5/18; B65D 5/2033; B65D
5/38; B65D 1/32; B65D 1/00; B65D
1/22; B65D 1/24; B65D 1/34; B65D 1/38
See application file for complete search history.

(56) **References Cited**

U.S. PATENT DOCUMENTS

D796,340 S * 9/2017 Kim D9/695
D821,222 S * 6/2018 Kim D9/697

(Continued)

Primary Examiner — Abraham Bahta

(74) *Attorney, Agent, or Firm* — Berger Singerman LLP;
Geoffrey Lottenberg

(57) **CLAIM**

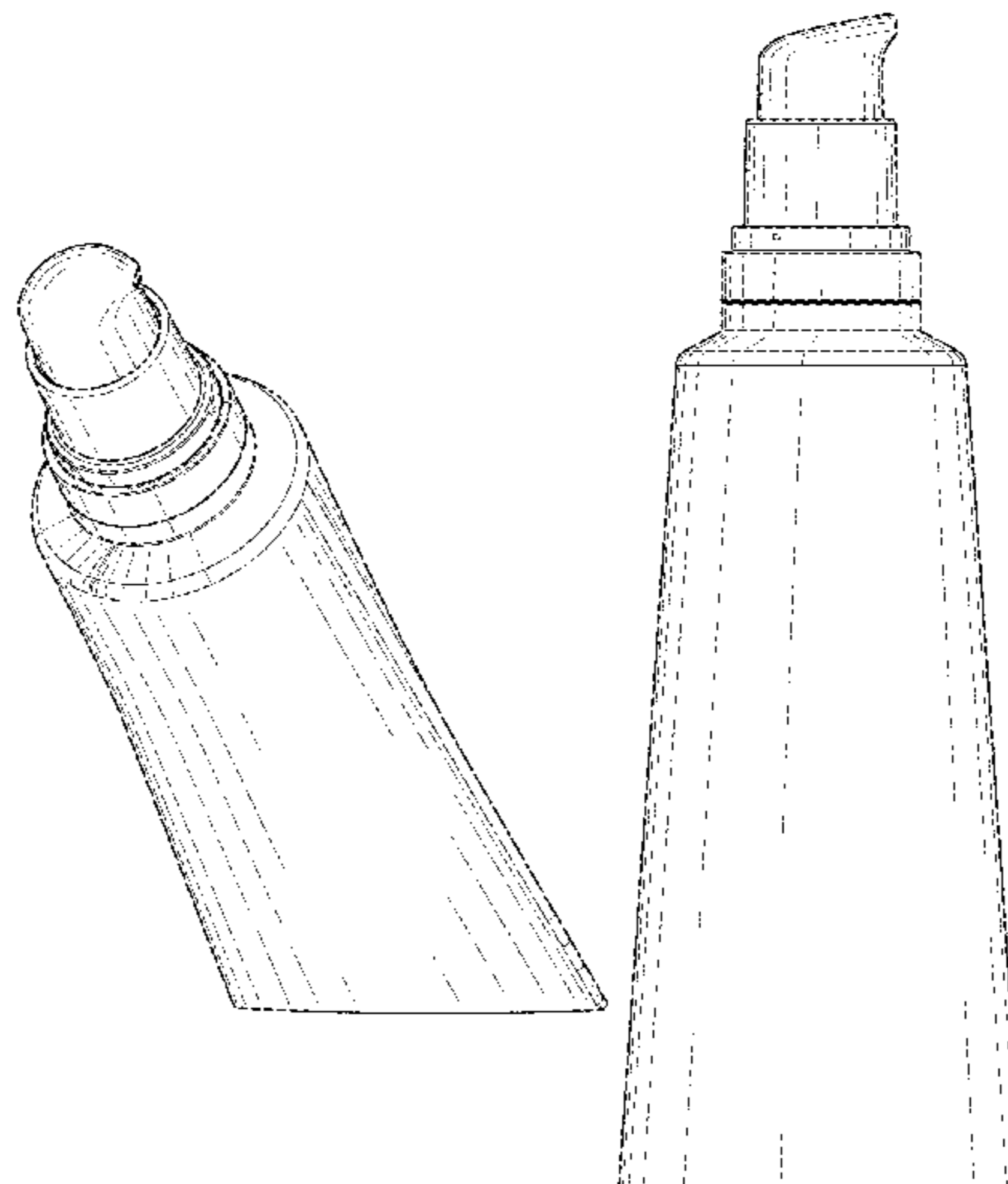
The ornamental design for a dispensing bottle, as shown and described.

DESCRIPTION

FIG. 1 is a front perspective view of the dispensing bottle with a cap showing my new design; FIG. 2 is a front view thereof; FIG. 3 is a rear view thereof; FIG. 4 is a left view thereof; FIG. 5 is a right side view thereof; FIG. 6 is a top view thereof; FIG. 7 is a bottom view thereof; FIG. 8 is a front view of the dispensing bottle shown in FIG. 1 with the cap removed; FIG. 9 is a front view thereof; FIG. 10 is a rear view thereof; FIG. 11 is a left view thereof; FIG. 12 is a right view thereof; FIG. 13 is a top view thereof; FIG. 14 is a bottom view thereof; FIG. 15 is a front perspective view of the pump portion shown in FIG. 8; FIG. 16 is a front view thereof; FIG. 17 is a rear view thereof; FIG. 18 is a right view thereof; FIG. 19 is a left view thereof; FIG. 20 is a top view thereof; and, FIG. 21 is a bottom view thereof.

The broken lines shown in the drawings do not form part of the claimed design. The shading in the drawings is for illustrative purposes only and does not form part of the claimed design.

1 Claim, 21 Drawing Sheets



(56)

References Cited

U.S. PATENT DOCUMENTS

D838,187 S *	1/2019	Kim	D9/697
D840,830 S *	2/2019	Son	D9/697
D845,142 S *	4/2019	Kim	D9/697
D895,434 S *	9/2020	Matsuishi	D9/697

* cited by examiner

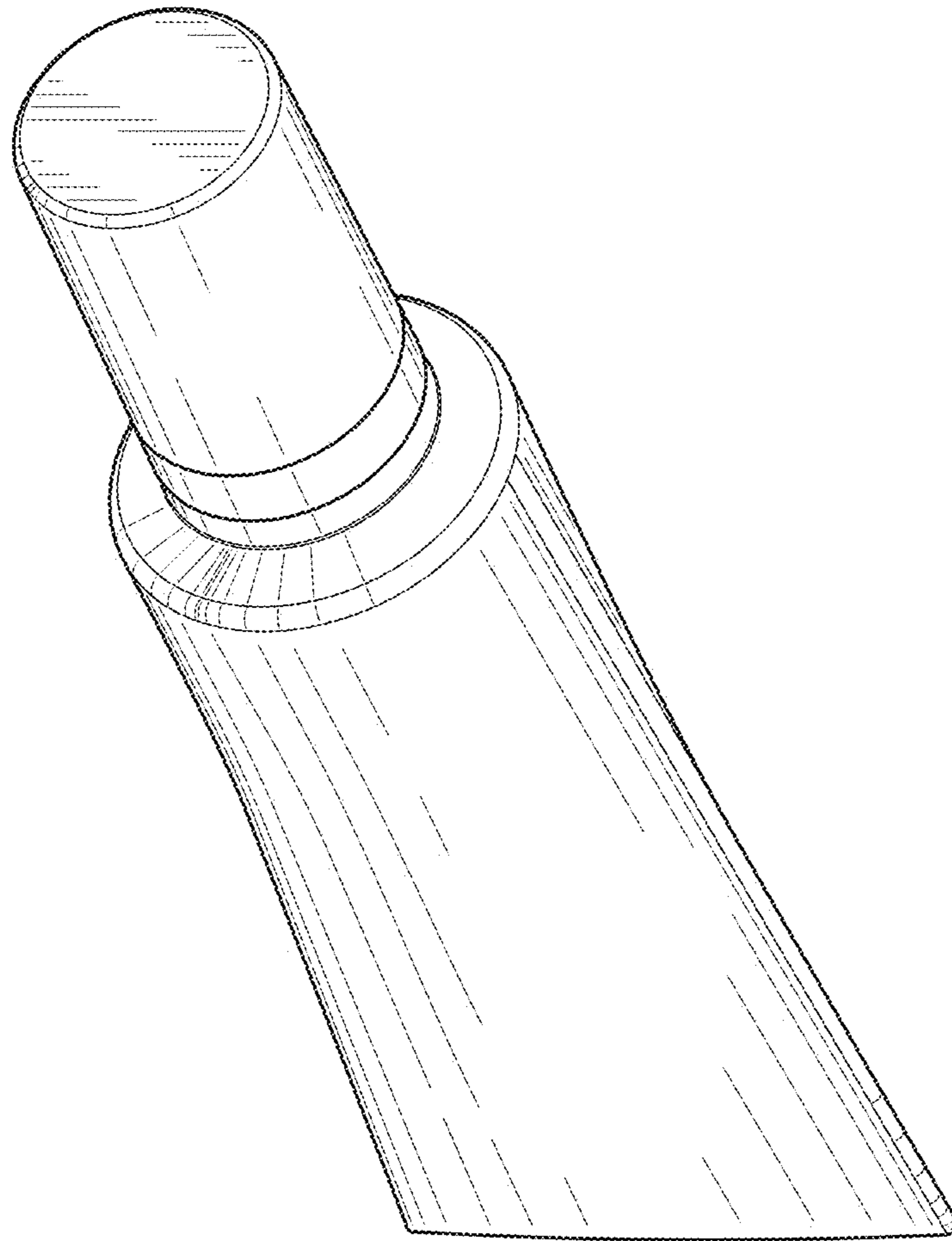


FIG. 1

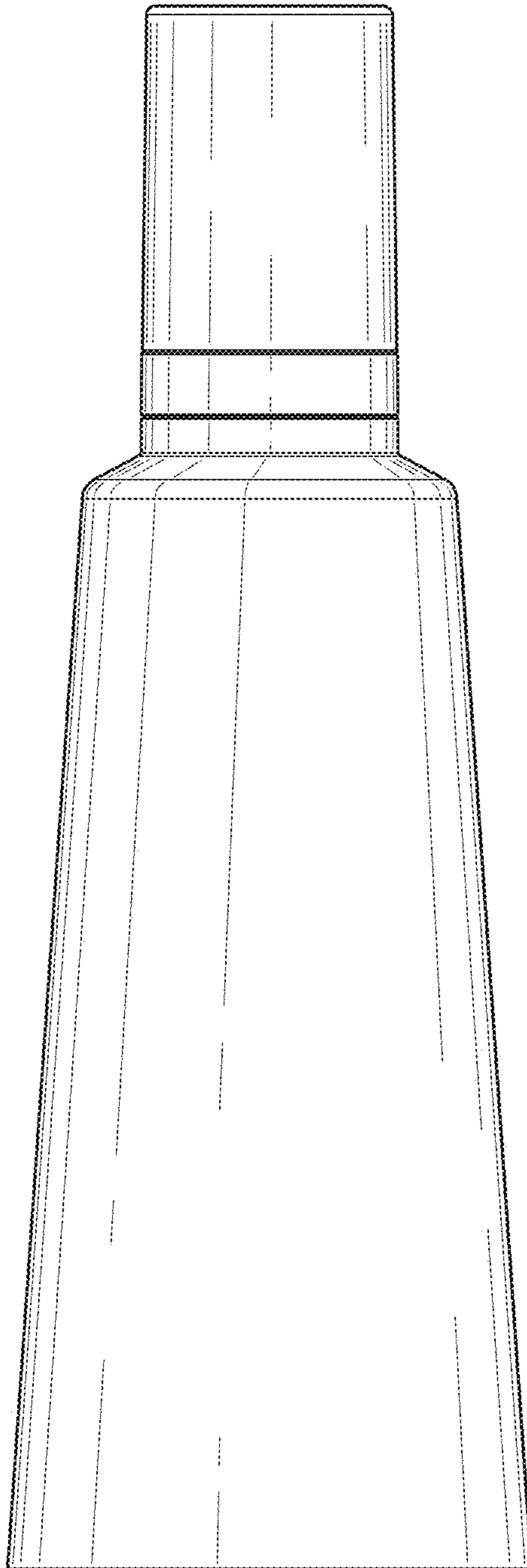


FIG. 2

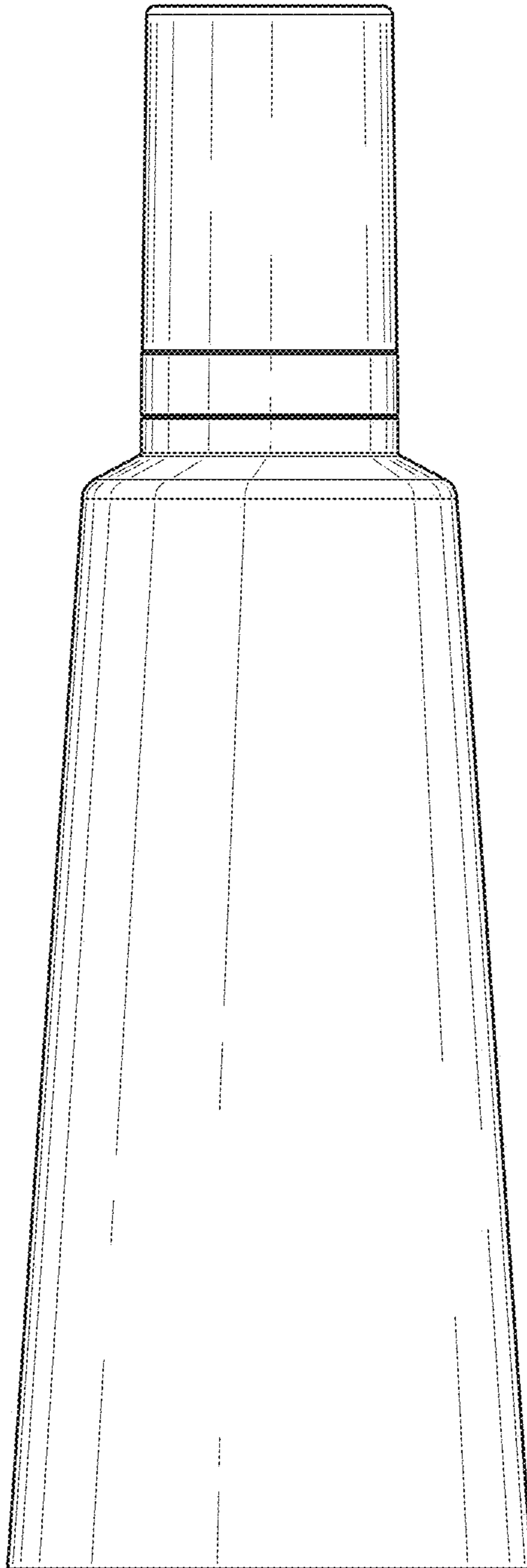


FIG. 3

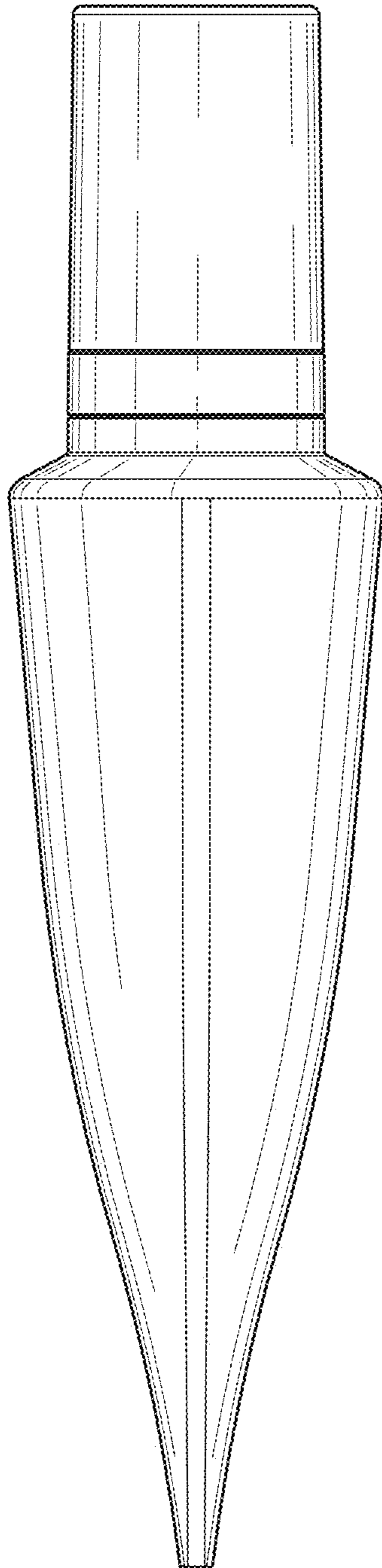


FIG. 4

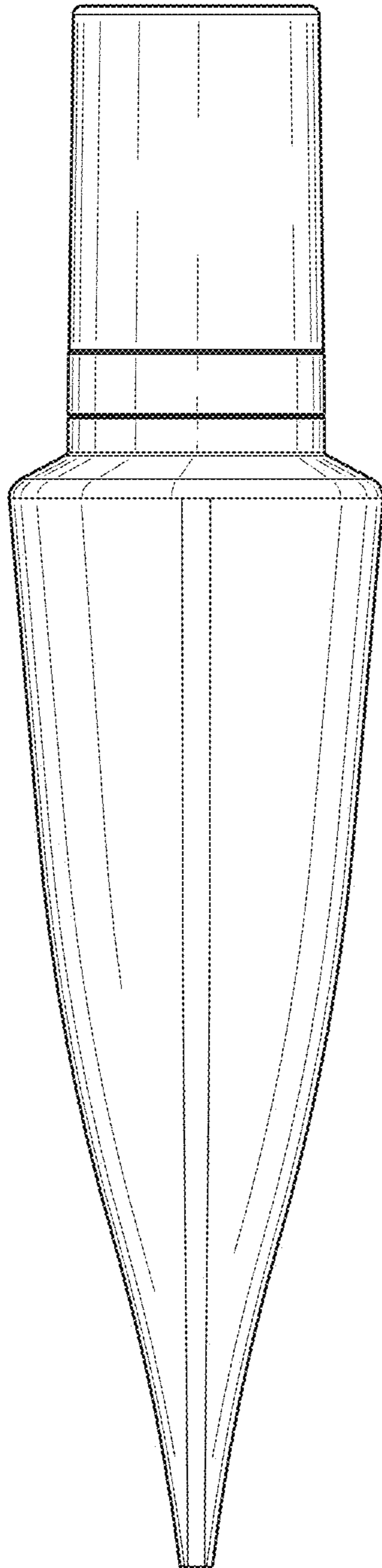


FIG. 5

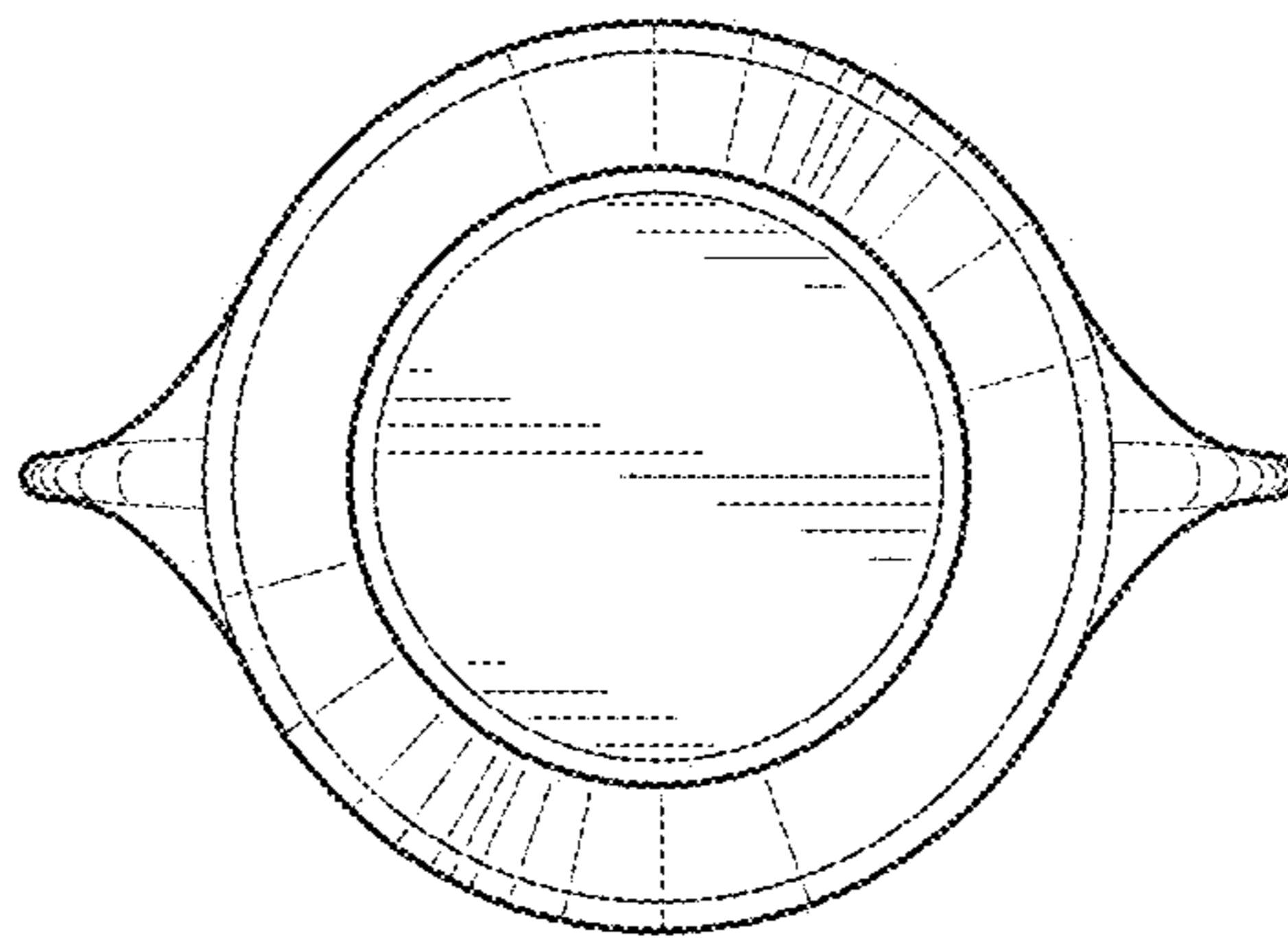


FIG. 6

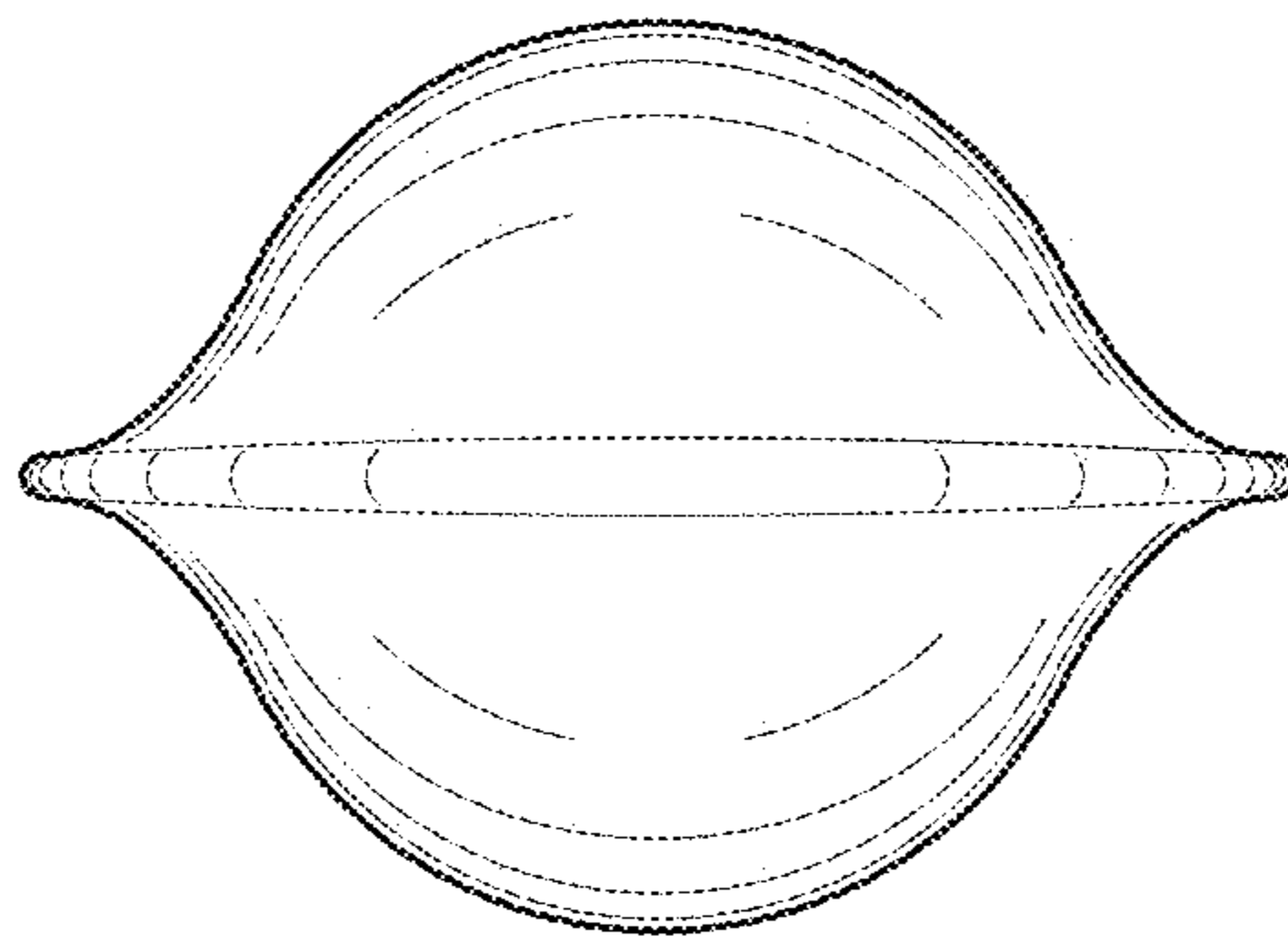


FIG. 7

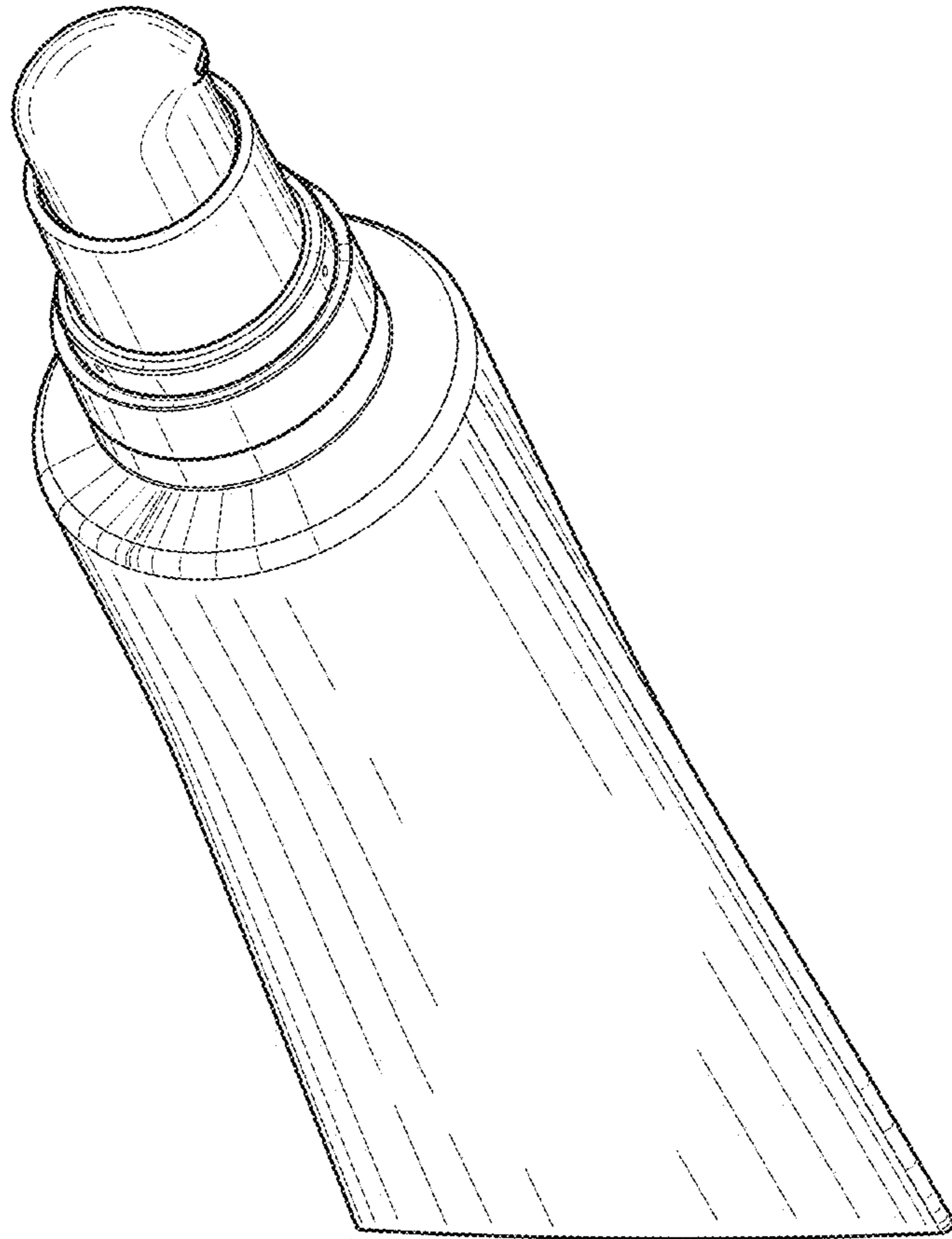


FIG. 8

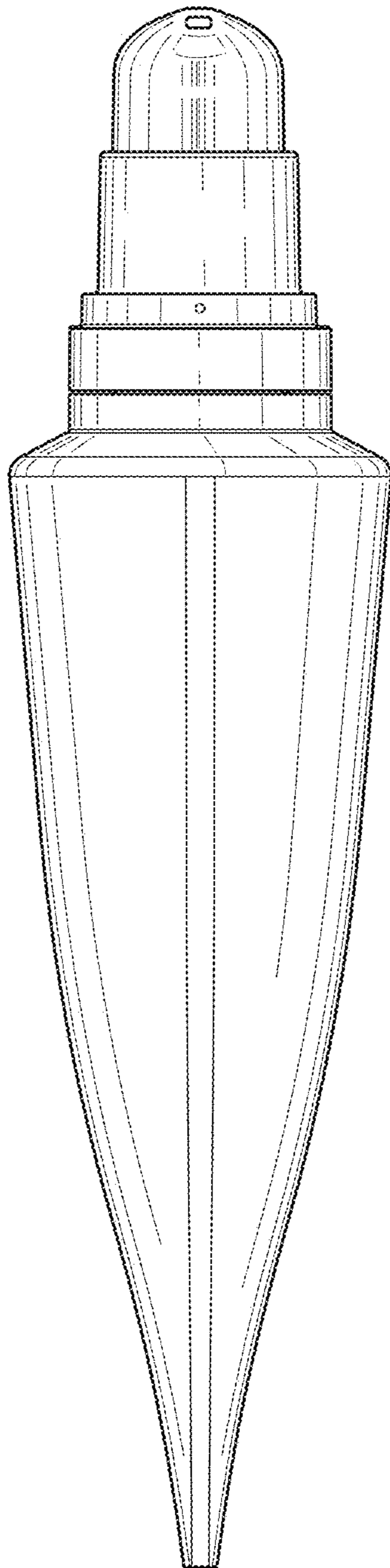


FIG. 9

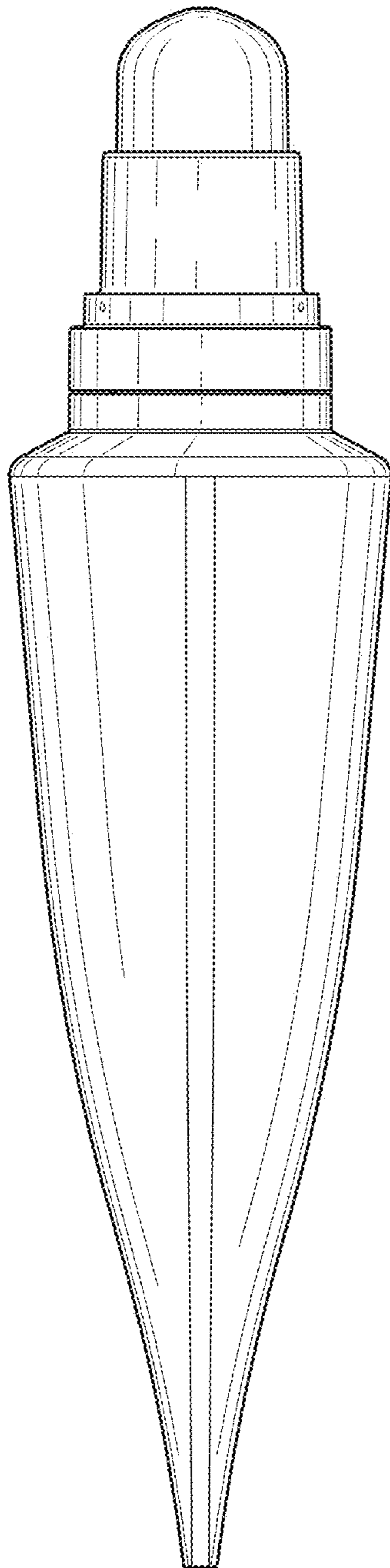


FIG. 10

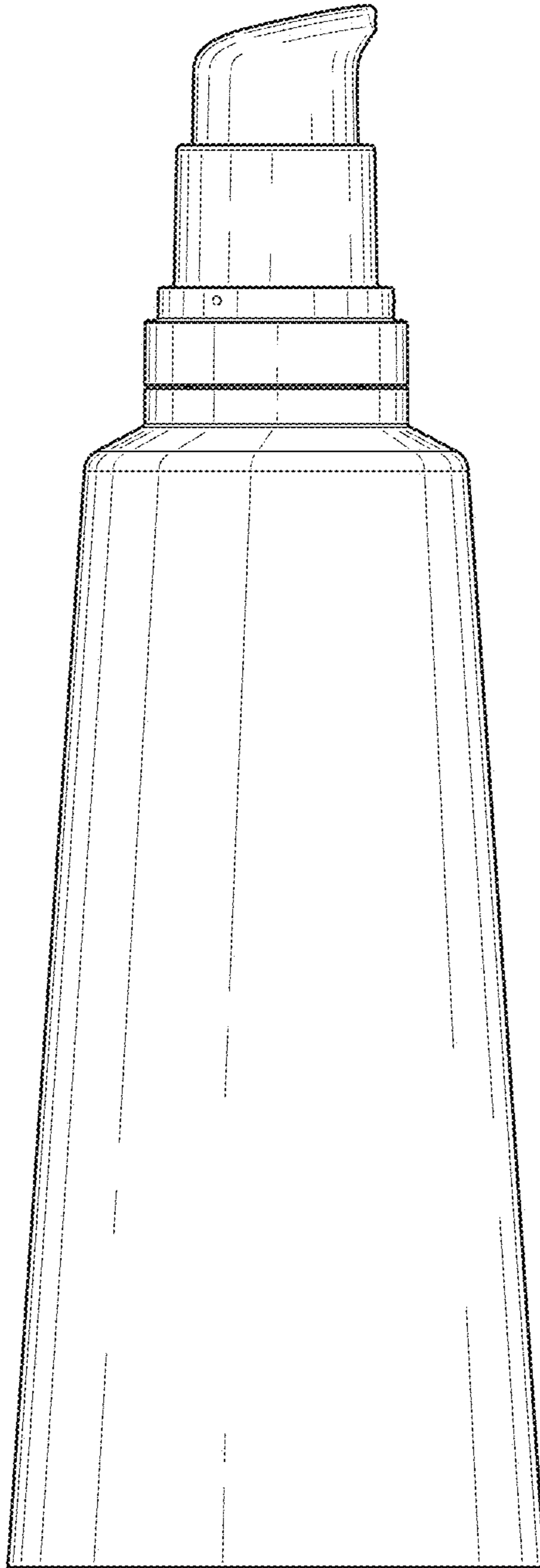


FIG. 11

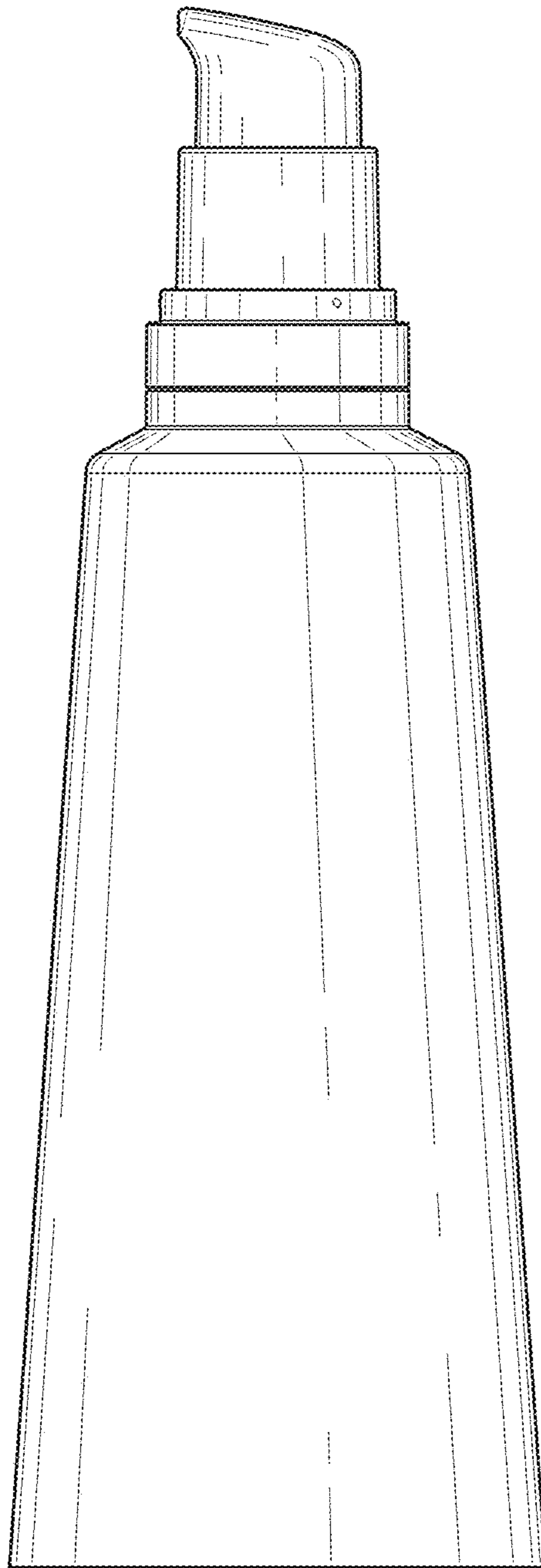


FIG. 12

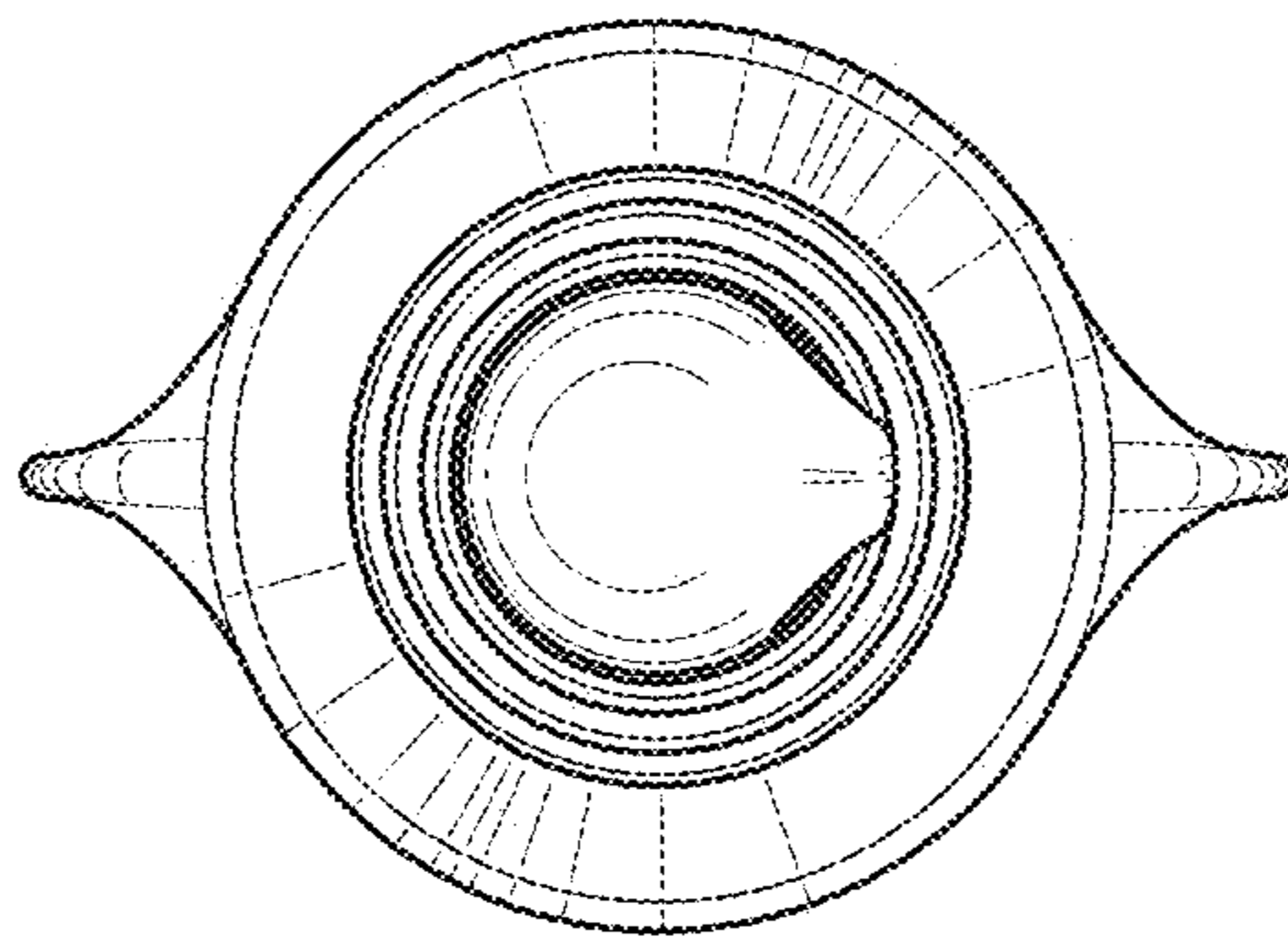


FIG. 13

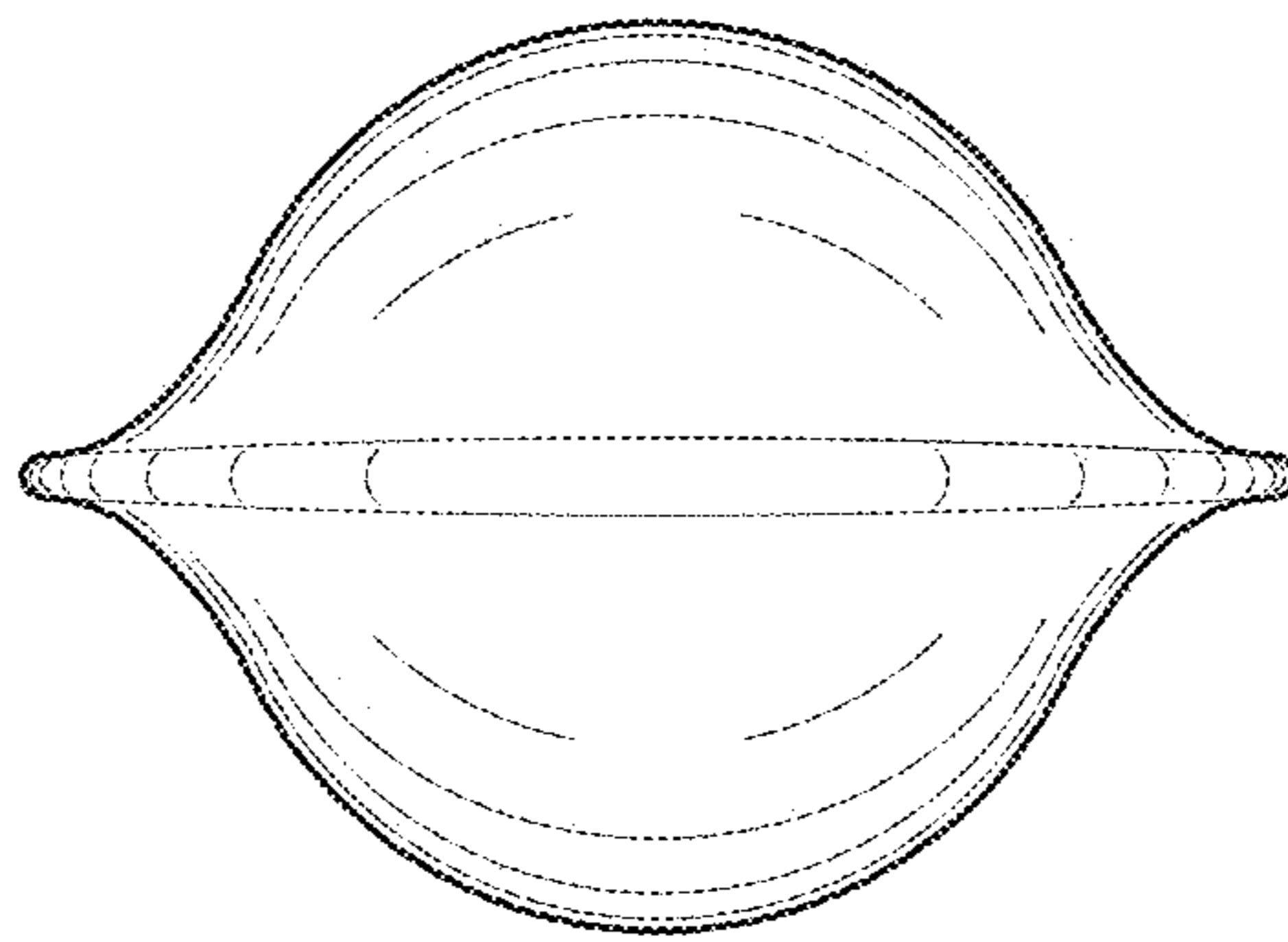


FIG. 14

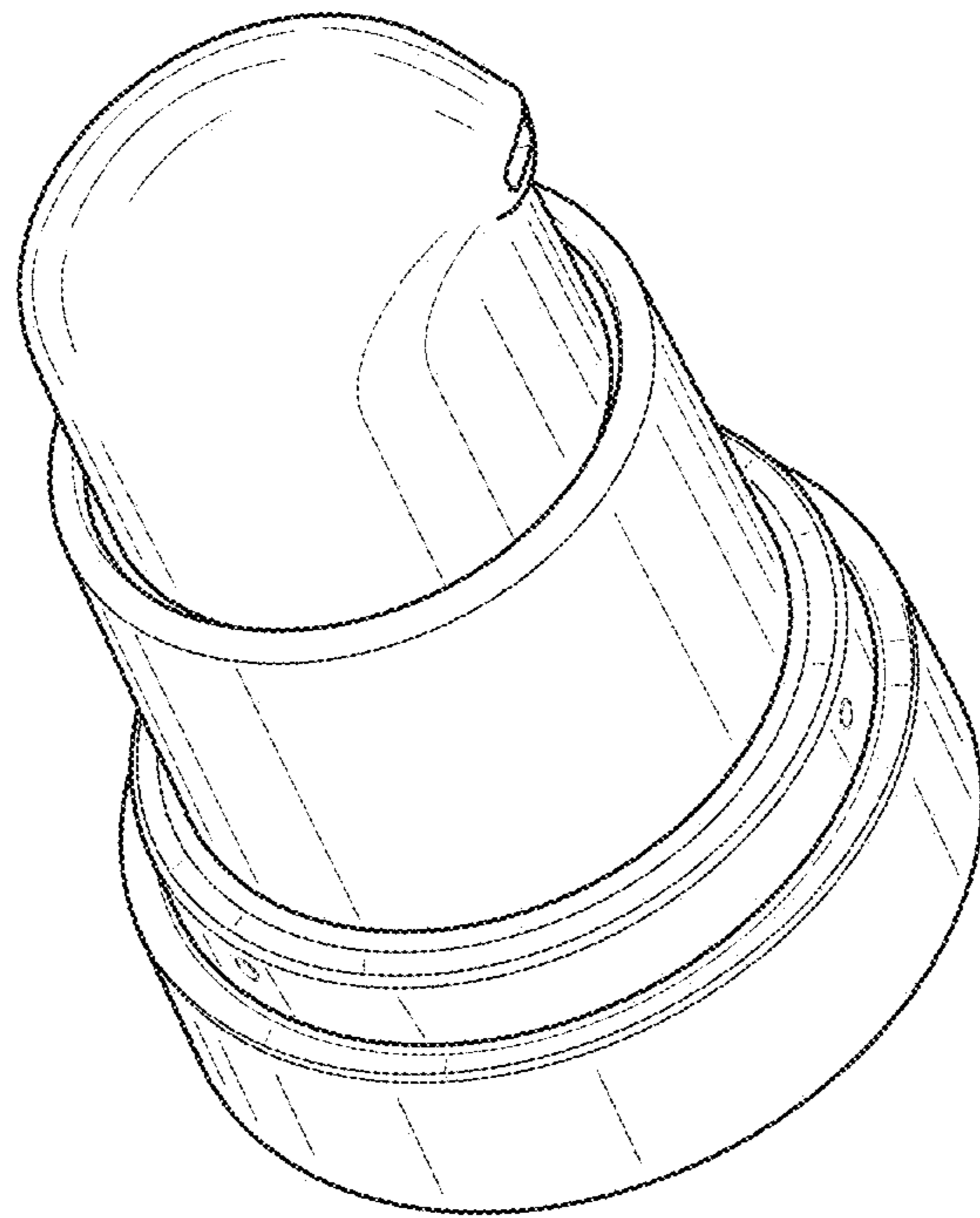


FIG. 15

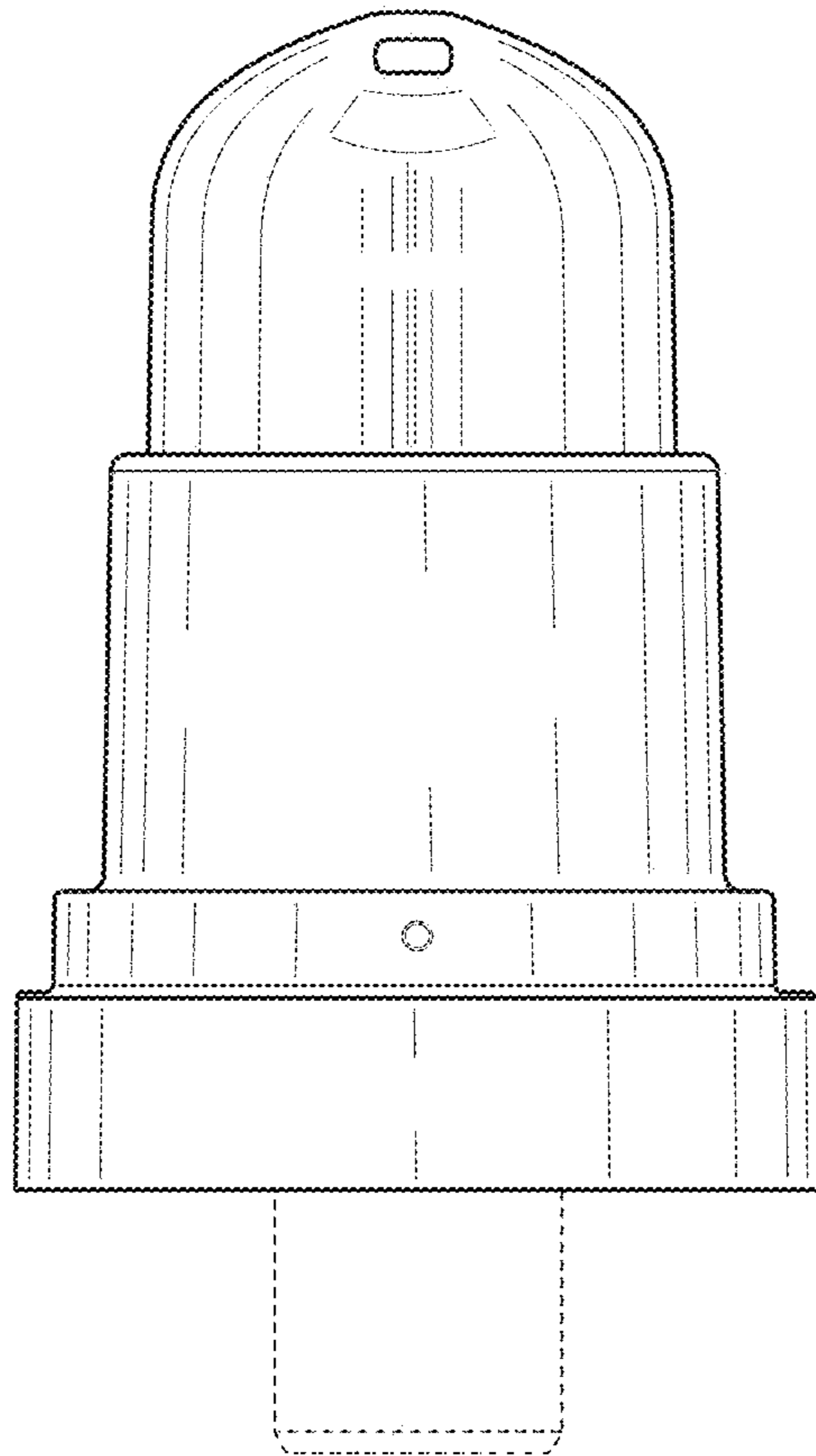


FIG. 16

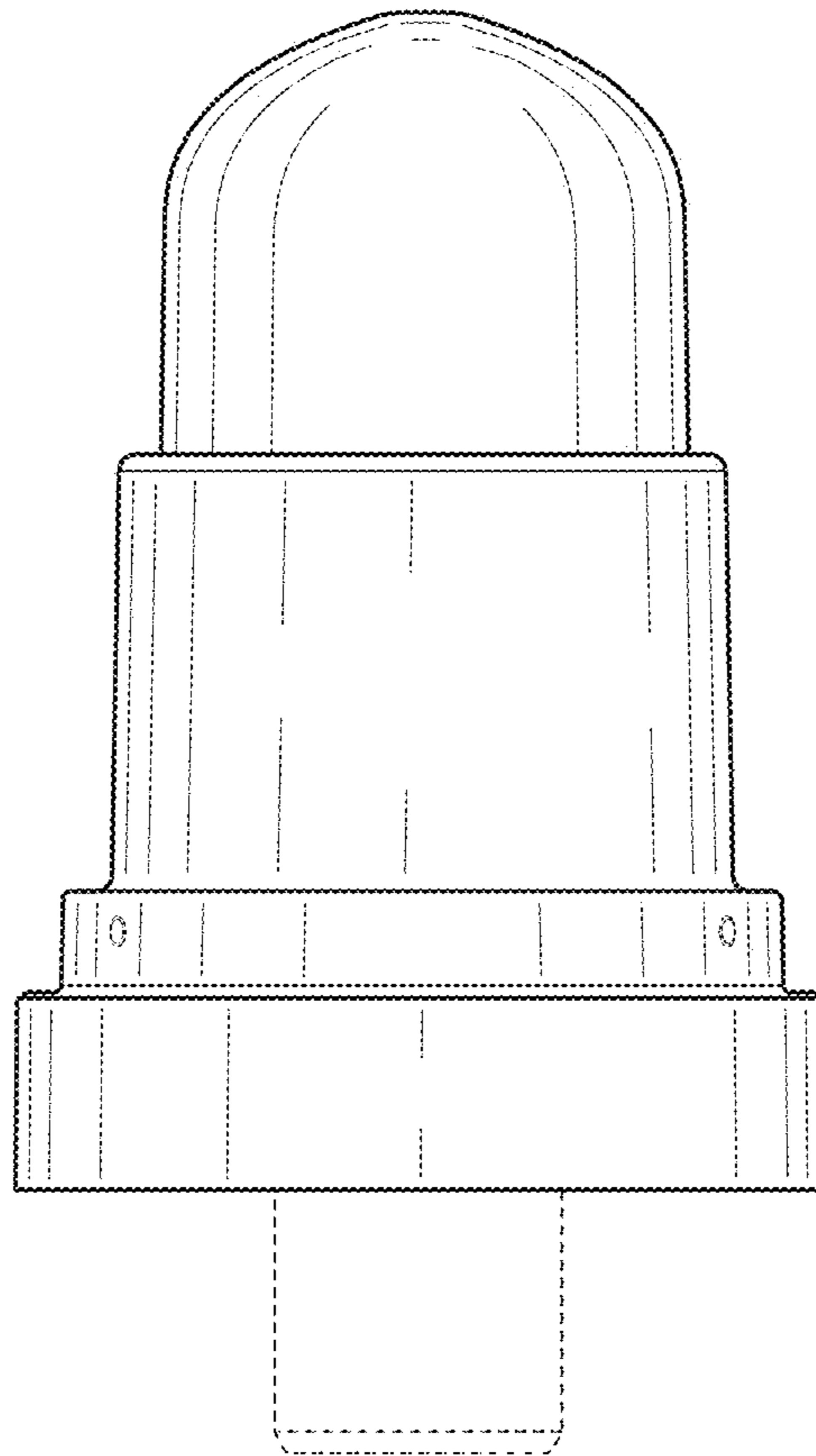


FIG. 17

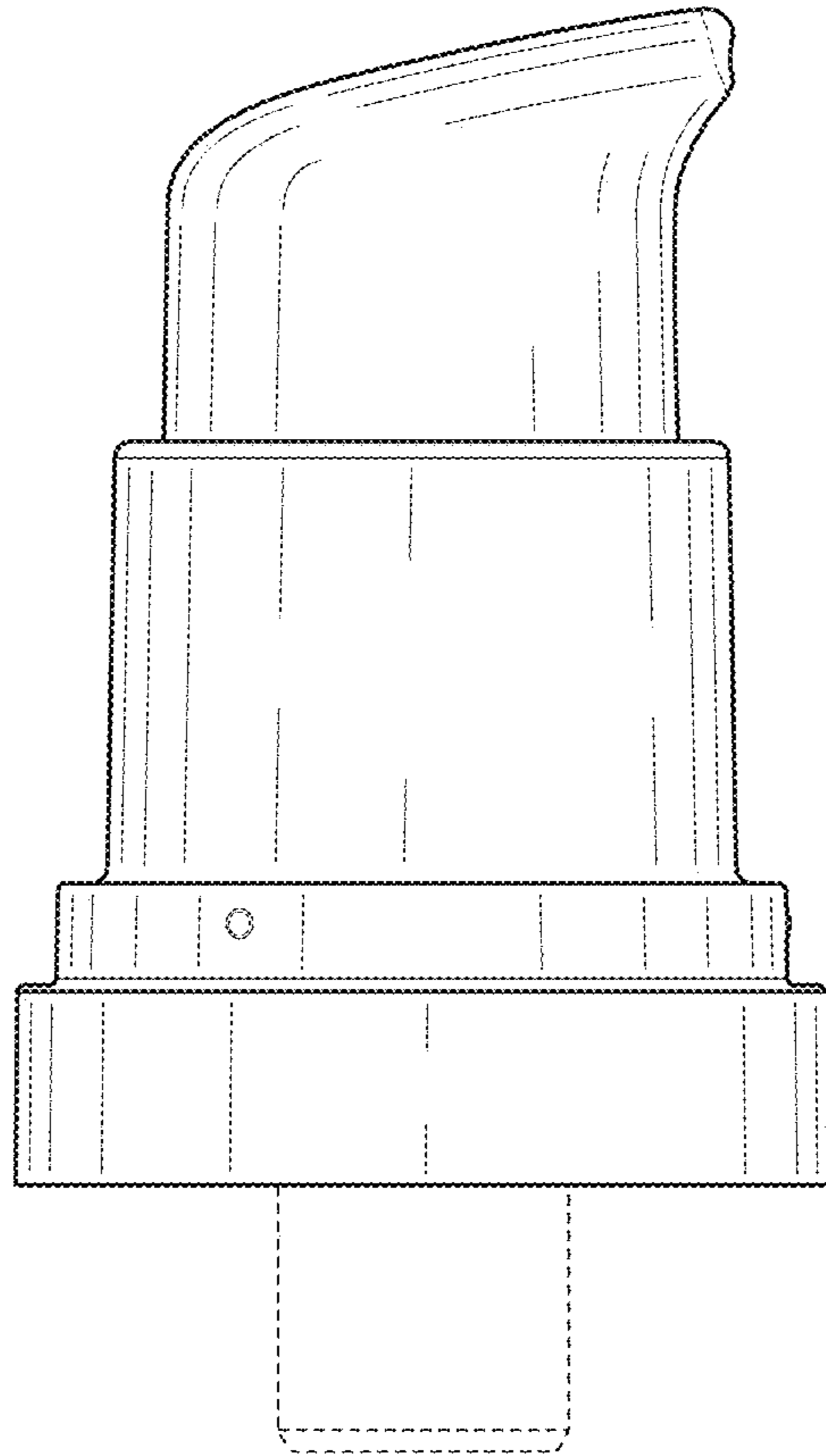


FIG. 18

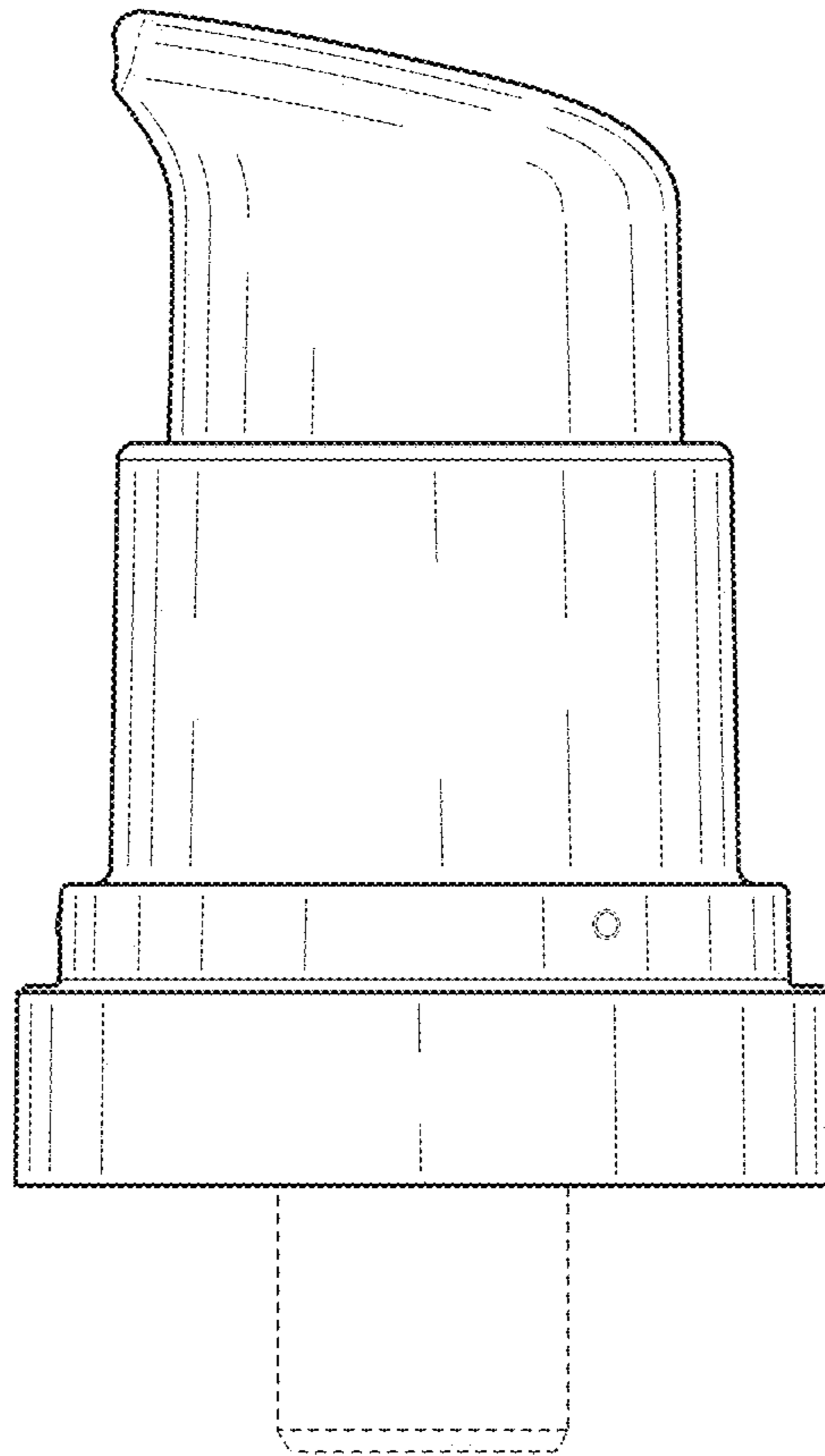


FIG. 19

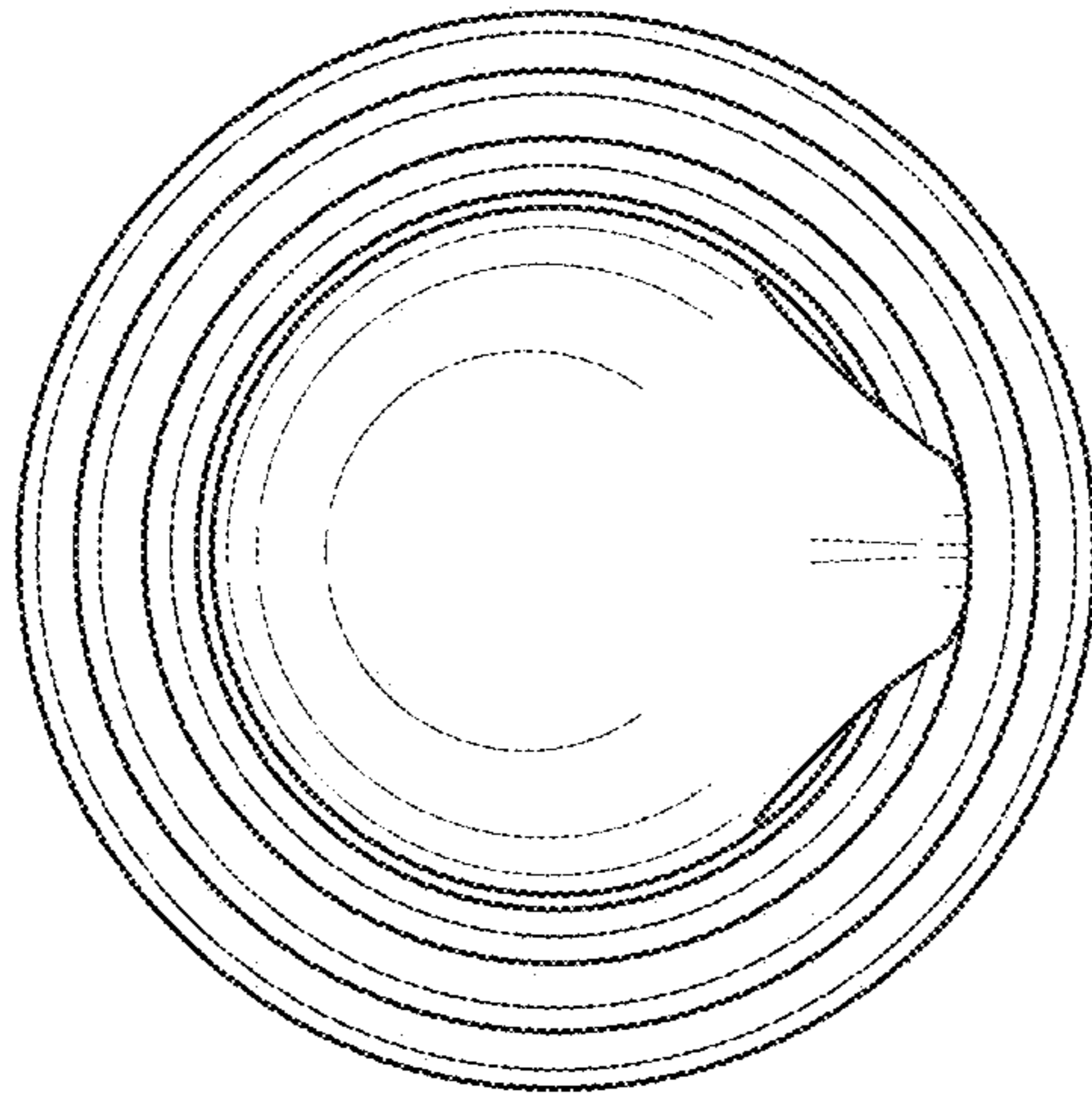


FIG. 20

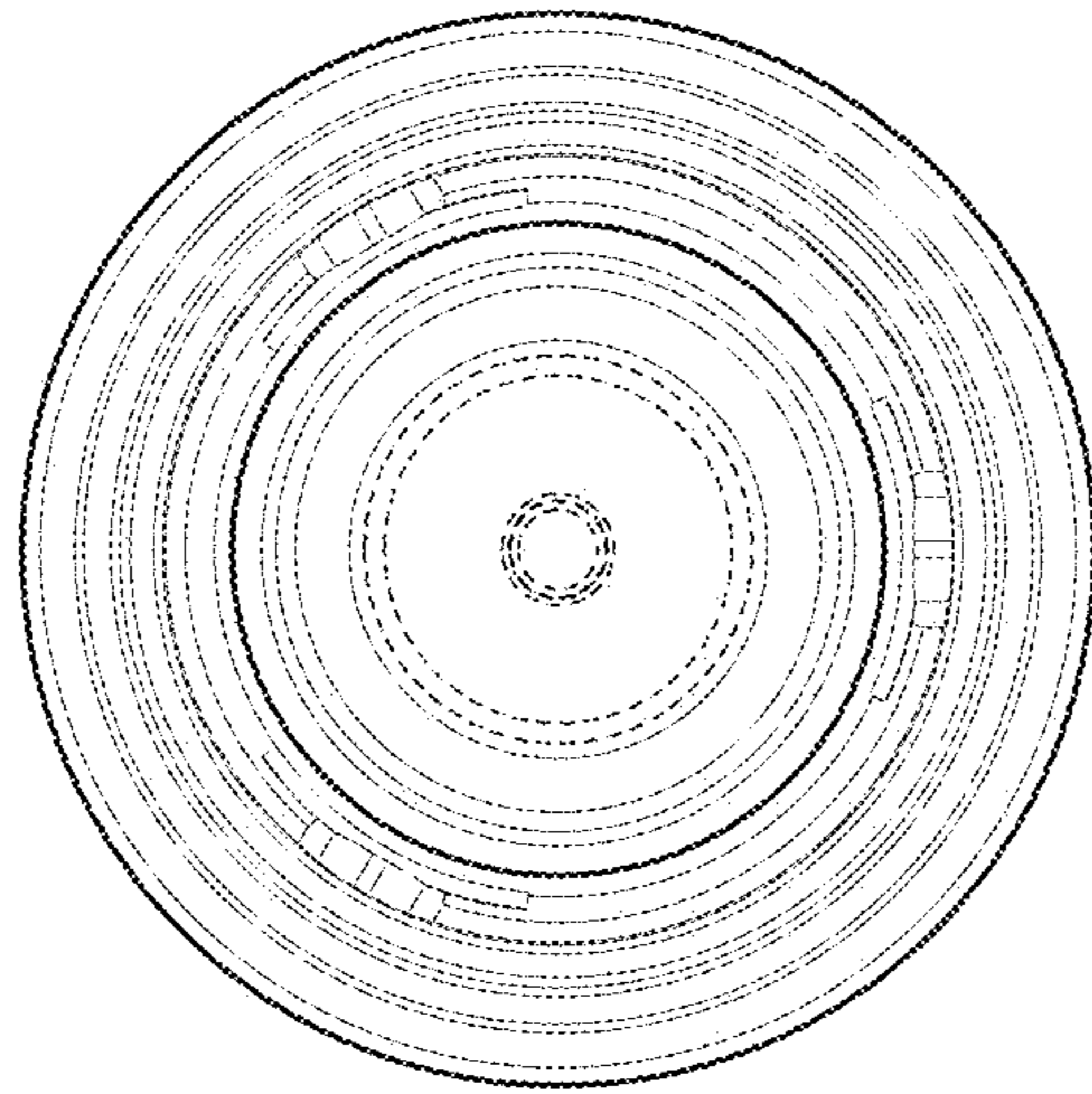


FIG. 21