

US00D934081S

(12) **United States Design Patent** (10) **Patent No.:** **US D934,081 S**
Feletto (45) **Date of Patent:** **** Oct. 26, 2021**

(54) **BOTTLE**
(71) Applicant: **VETROELITE SPA**, Ormelle (IT)
(72) Inventor: **Daniele Feletto**, Ormelle (IT)
(73) Assignee: **VETROELITE SPA**, Ormelle (IT)
(**) Term: **15 Years**
(21) Appl. No.: **29/644,244**
(22) Filed: **Apr. 16, 2018**

D438,116 S * 2/2001 Nosella D9/500
D443,821 S * 6/2001 Bakic D9/500
D561,026 S * 2/2008 Rica D9/500
D563,222 S * 3/2008 Yamanaka D9/447
D633,793 S * 3/2011 Reagan D9/500
D635,032 S * 3/2011 Daniele D9/545
D647,405 S * 10/2011 Lauret D9/539
D653,117 S * 1/2012 Murphy D9/544
D660,154 S * 5/2012 Franco D9/500
D679,600 S * 4/2013 Gonzalez Rodriguez D9/500
D698,245 S * 1/2014 Thompson D9/500
D723,933 S * 3/2015 Gorini D9/631
D750,496 S * 3/2016 Cutler D9/538
D814,933 S * 4/2018 Cutler D9/537

* cited by examiner

(30) **Foreign Application Priority Data**
Feb. 6, 2018 (EM) 004696839

Primary Examiner — Dana Meyrow
(74) *Attorney, Agent, or Firm* — Egbert, McDaniel & Swartz, PLLC

(51) **LOC (13) Cl.** **09-01**
(52) **U.S. Cl.**
USPC **D9/545**; D9/520; D9/558
(58) **Field of Classification Search**
USPC D9/434, 500, 502–505, 516, 520, 530,
D9/537, 539, 544–545, 549, 558, 715,
D9/719; D7/300, 300.1, 598
CPC B65D 1/00; B65D 1/02; B65D 1/0223;
B65D 1/023; B65D 23/00; B65D
2501/00; B65D 2501/0009
See application file for complete search history.

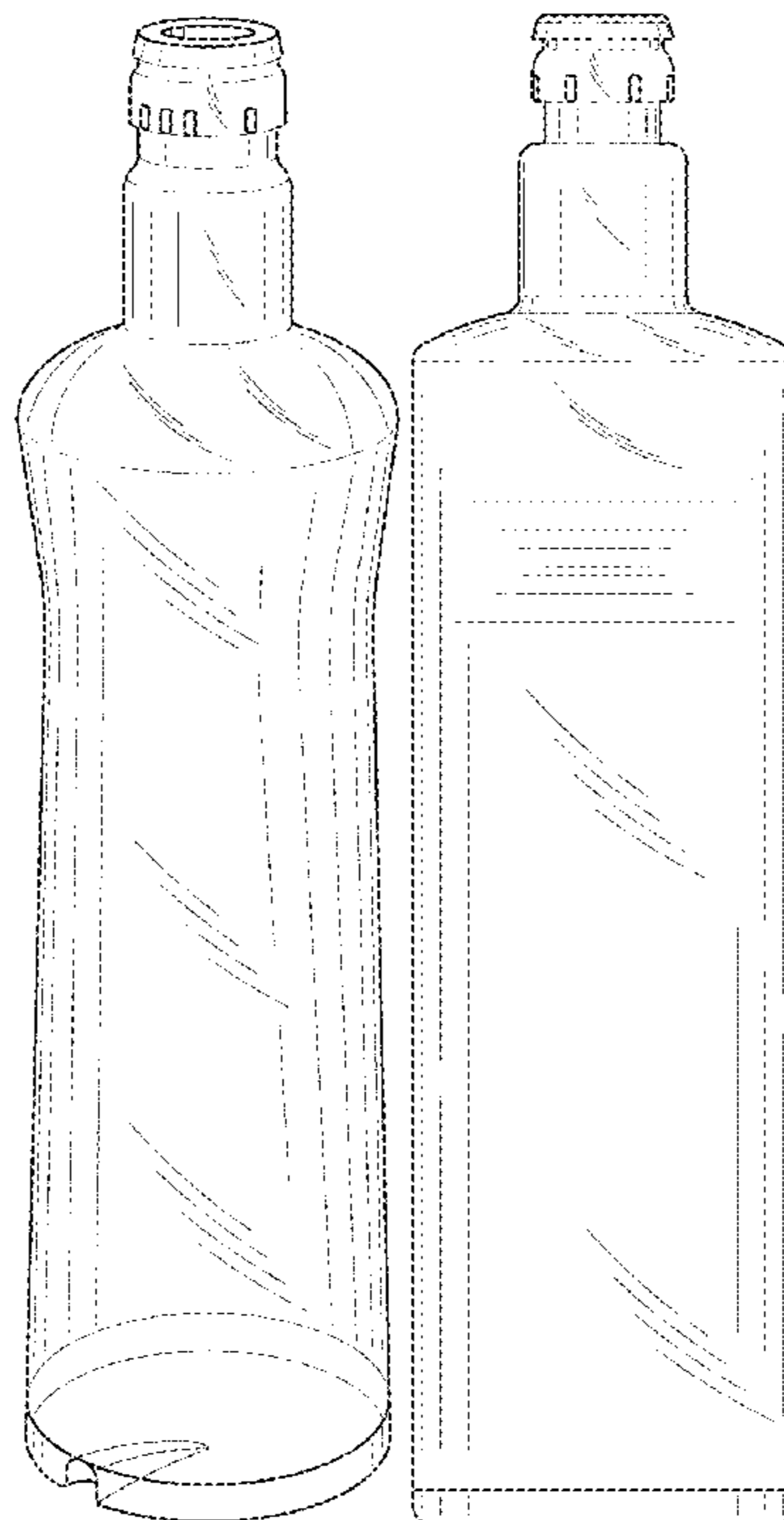
(57) **CLAIM**
The ornamental design for a bottle, as shown and described.

(56) **References Cited**
U.S. PATENT DOCUMENTS

DESCRIPTION
FIG. 1 is a front, right and upper perspective view of a bottle showing my new design.
FIG. 2 is a side view thereof, an opposite side view being identical;
FIG. 3 is a front view thereof;
FIG. 4 is a rear view thereof;
FIG. 5 is a top view thereof; and,
FIG. 6 is a bottom view thereof.
The inside surface and opposite sides of the bottle, as they would be seen through the transparent surface of the bottle, have been omitted in FIGS. 2-6 for ease of understanding.

D128,365 S * 7/1941 Daum D9/500
D183,127 S * 7/1958 Johnson D9/503
D187,559 S * 3/1960 Horne D9/500
D258,197 S * 2/1981 Beeman D9/500
D327,005 S * 6/1992 Beeman D9/500

1 Claim, 5 Drawing Sheets



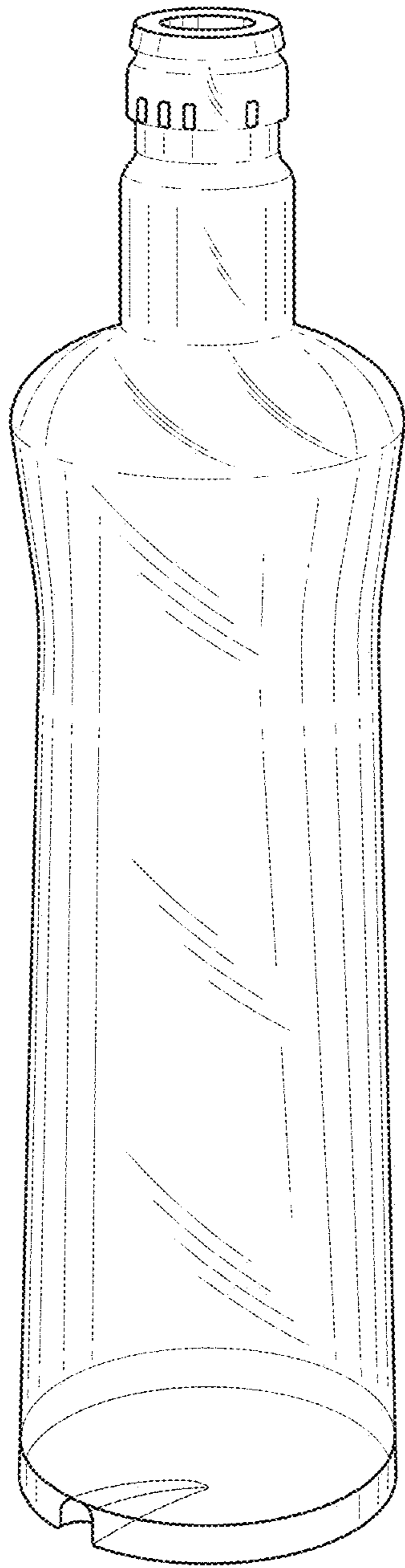


FIG. 1

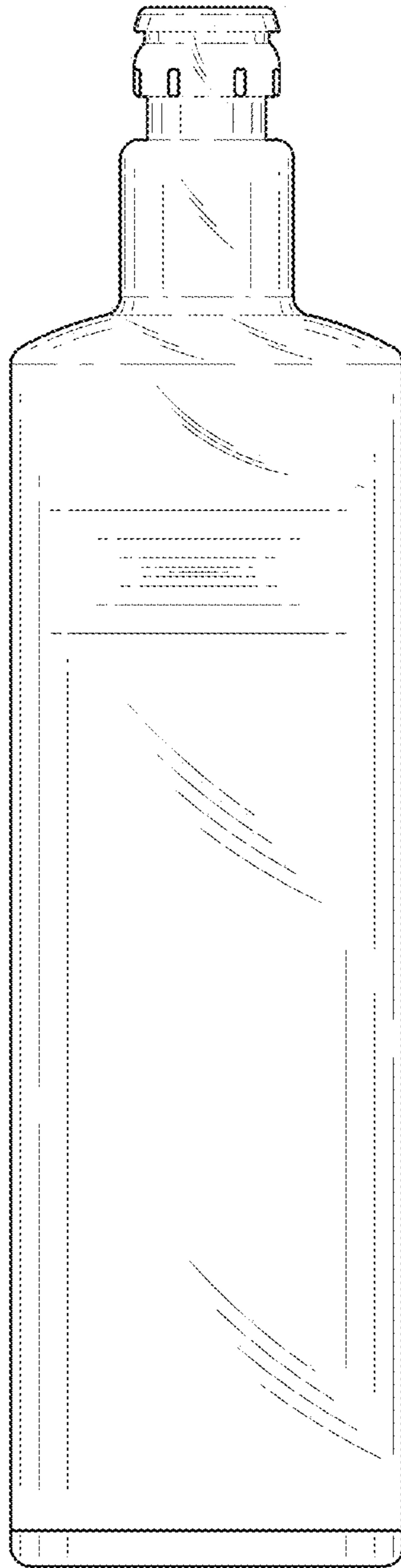


FIG. 2

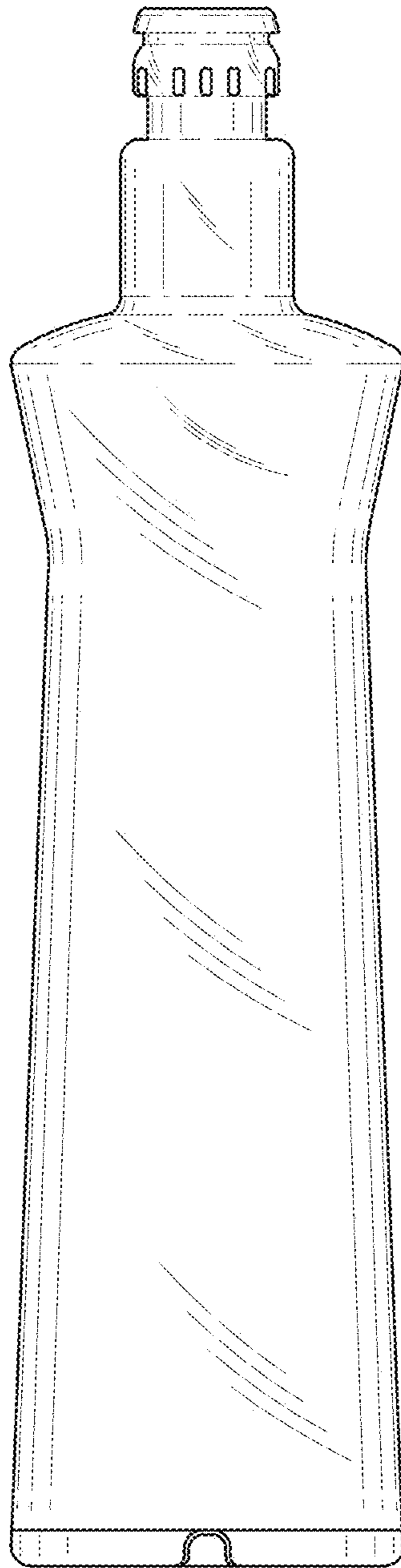


FIG. 3

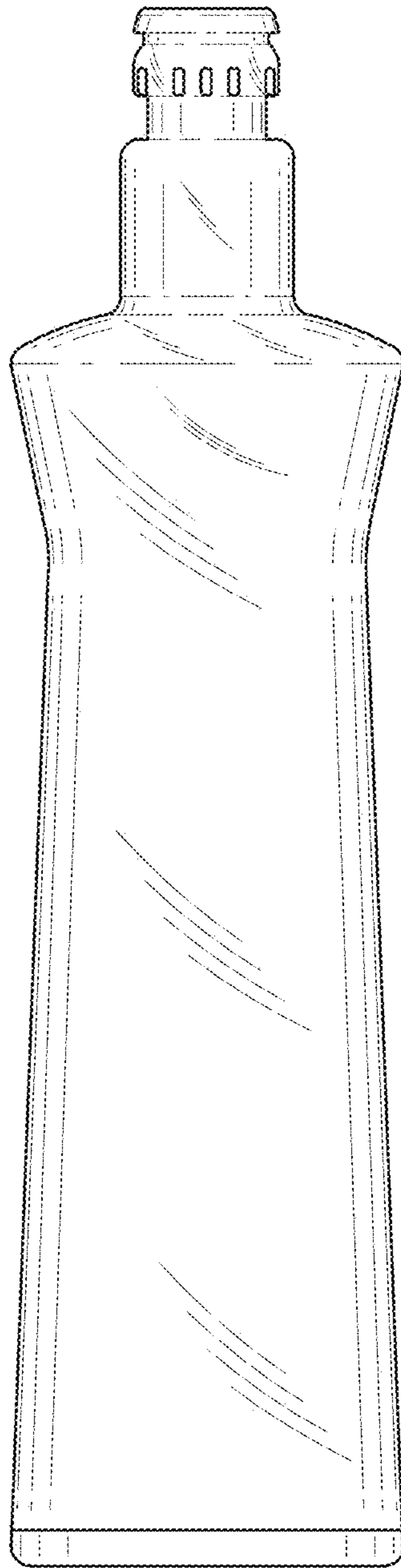


FIG. 4

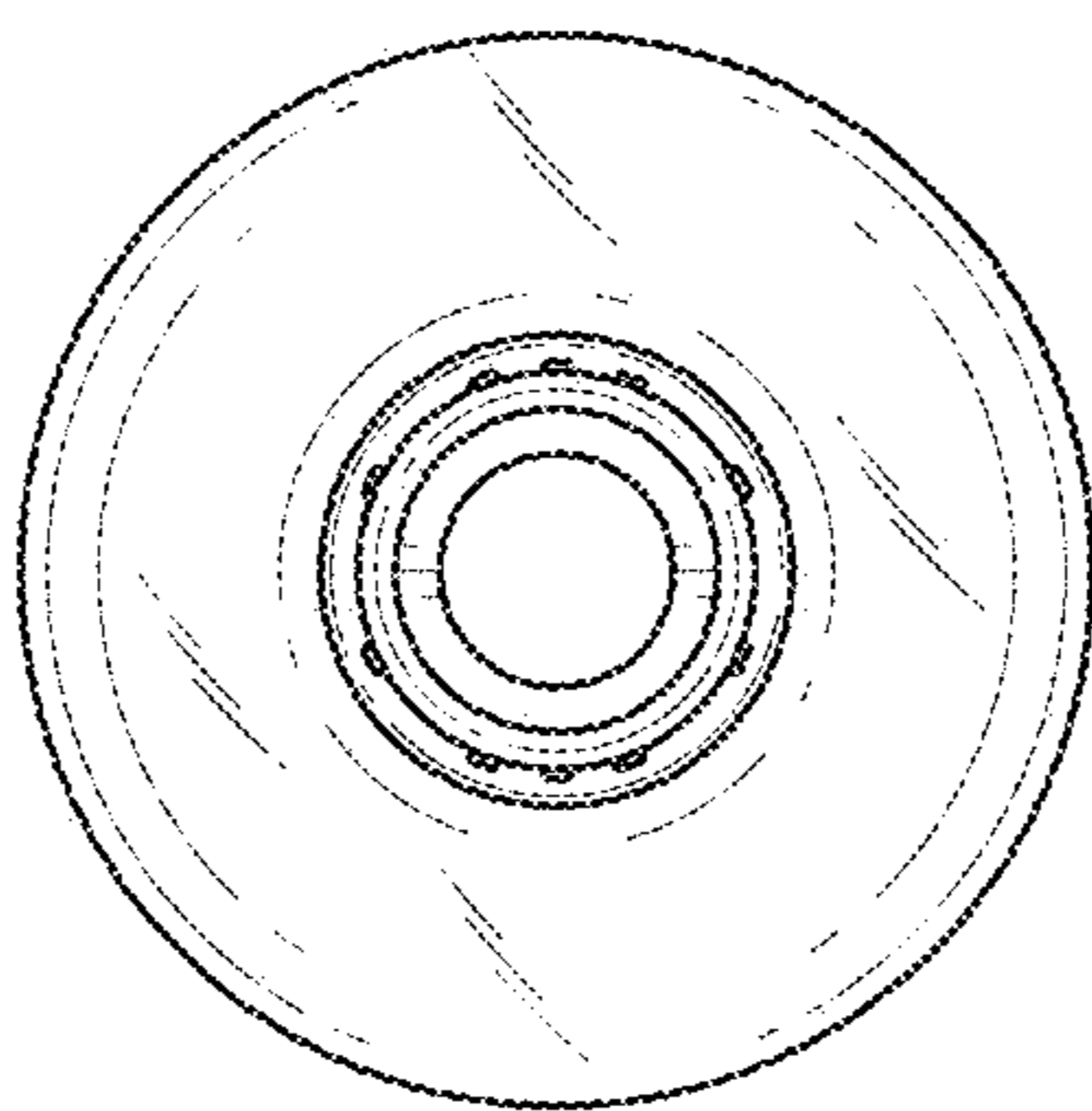


FIG. 5

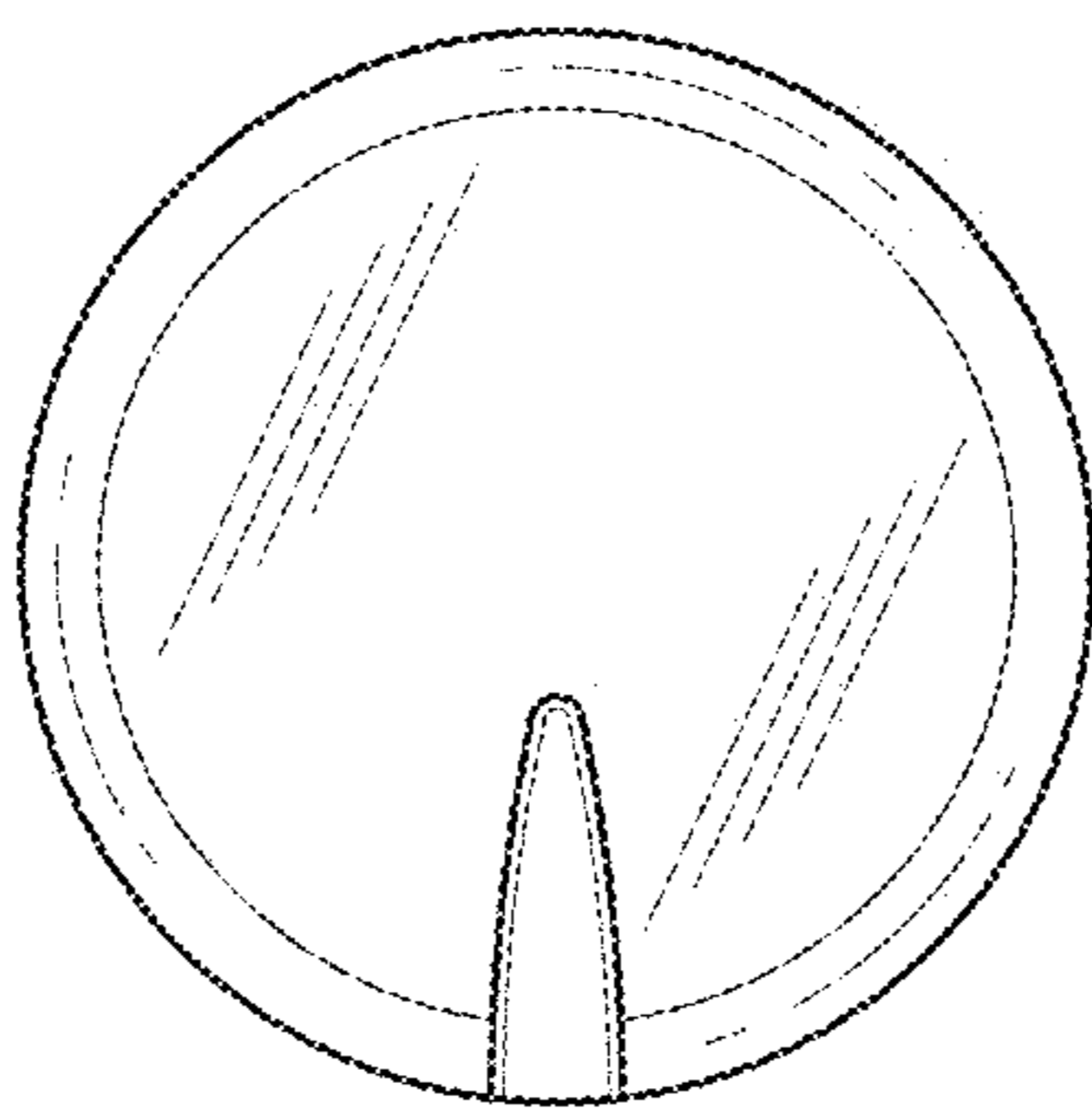


FIG. 6