



US00D934079S

(12) **United States Design Patent** (10) **Patent No.:** **US D934,079 S**
Hatton et al. (45) **Date of Patent:** **** Oct. 26, 2021**

(54) **CONTAINER**

(71) Applicant: **Conopco, Inc.**, Englewood Cliffs, NJ (US)

(72) Inventors: **Oliver James Hatton**, Eindhoven (NL);
Nicolas Schmitt, Eindhoven (NL);
Sander Willem Thijssen, Eindhoven (NL)

(73) Assignee: **Conopco, Inc.**, Englewood Cliffs, NJ (US)

(**) Term: **15 Years**

(21) Appl. No.: **29/698,641**

(22) Filed: **Jul. 18, 2019**

(30) **Foreign Application Priority Data**

Jan. 22, 2019 (EM) 006081048-0001
Jan. 22, 2019 (EM) 006081048-0002
(Continued)

(51) **LOC (13) Cl.** **09-01**

(52) **U.S. Cl.**
USPC **D9/529**; D9/549; D9/558; D28/85

(58) **Field of Classification Search**
USPC D9/521, 522, 529, 530, 536, 542-545,
D9/549, 552, 558, 573-575, 454, 504,
(Continued)

(56) **References Cited**

U.S. PATENT DOCUMENTS

D230,954 S 3/1974 Gregoriotti et al.
D274,471 S * 6/1984 Widmer D9/521
(Continued)

OTHER PUBLICATIONS

Peter Anglea, Oct. 3, 2017, Twitter.com Post, URL:<https://twitter.com/peteranglea/status/915242085627854849/photo/1> (Year: 2017).*

Primary Examiner — Brett Miller

Assistant Examiner — Rani J Abdallah

(74) *Attorney, Agent, or Firm* — Greenberg Traurig, LLP

(57) **CLAIM**

The ornamental design for a container, as shown and described.

DESCRIPTION

FIG. 1 is a top, front and side perspective view of a first embodiment of a container showing our new design;
FIG. 2 is a front elevational view of the first embodiment of the container shown in FIG. 1;
FIG. 3 is a rear elevational view of the first embodiment of the container shown in FIG. 1;
FIG. 4 is a side elevational view of the first embodiment of the container shown in FIG. 1;
FIG. 5 is an elevational view of another side of the first embodiment of the container shown in FIG. 1;
FIG. 6 is a top plan view of the first embodiment of the container shown in FIG. 1;
FIG. 7 is a bottom plan view of the first embodiment of the container shown in FIG. 1;
FIG. 8 is a top, front and side perspective view of a second embodiment of a container showing our new design;
FIG. 9 is a front elevational view of the second embodiment of the container shown in FIG. 8;
FIG. 10 is a rear elevational view of the second embodiment of the container shown in FIG. 8;
FIG. 11 is a side elevational view of the second embodiment of the container shown in FIG. 8;
FIG. 12 is an elevational view of another side of the second embodiment of the container shown in FIG. 8;
FIG. 13 is a top plan view of the second embodiment of the container shown in FIG. 8;
FIG. 14 is a bottom plan view of the second embodiment of the container shown in FIG. 8;
FIG. 15 is a perspective view from above and one side of a third embodiment of a container showing our new design;
FIG. 16 is a front elevational view of the third embodiment of the container shown in FIG. 15;

(Continued)

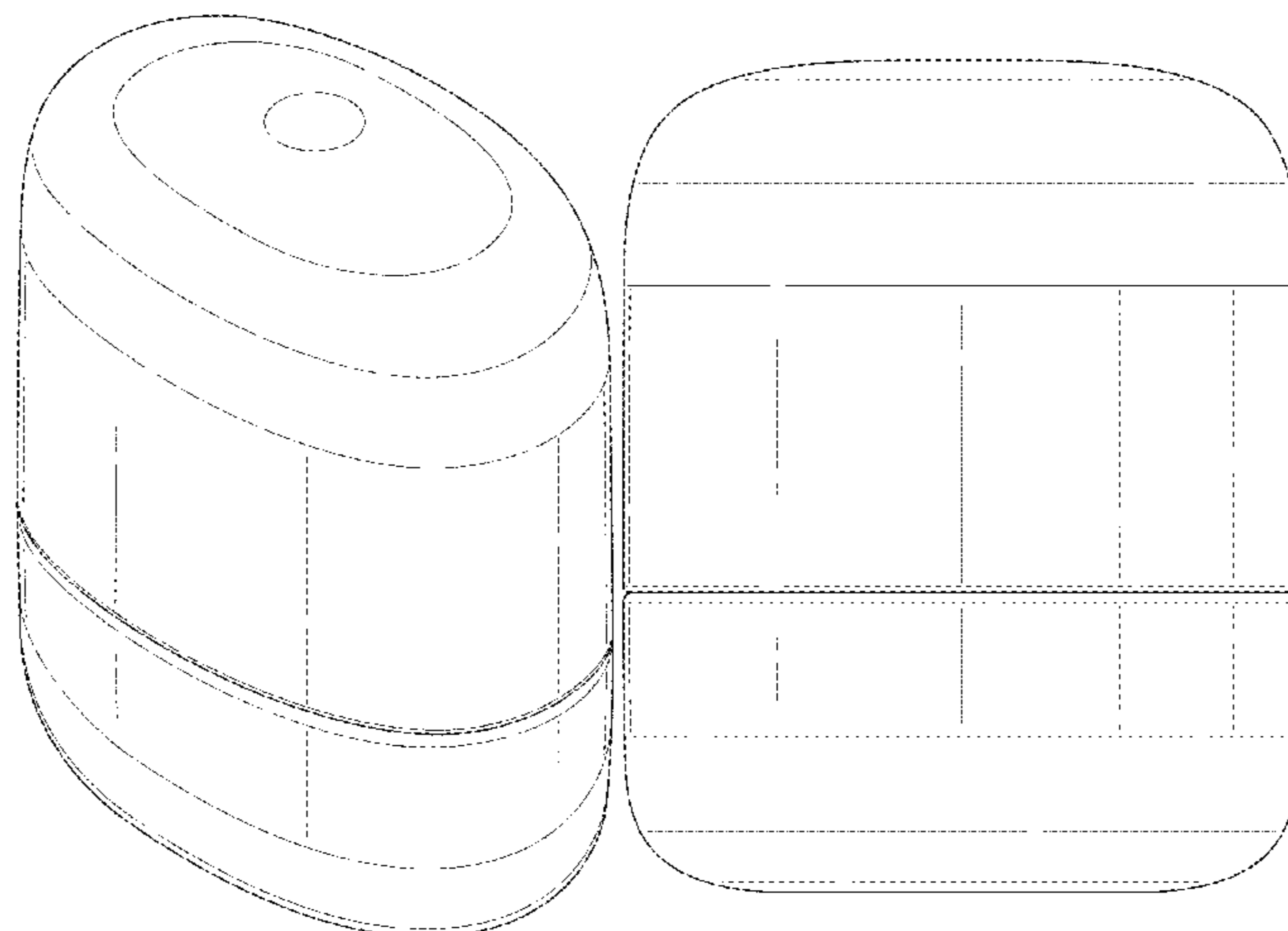


FIG. 17 is a rear elevational view of the third embodiment of the container shown in FIG. 15;
 FIG. 18 is a side elevational view of the third embodiment of the container shown in FIG. 15;
 FIG. 19 is an elevational view of another side of the third embodiment of the container shown in FIG. 15;
 FIG. 20 is a plan view of the third embodiment of the container shown in FIG. 15;
 FIG. 21 is a bottom plan view of the third embodiment of the container shown in FIG. 15;
 FIG. 22 is a perspective view from above and one side of a fourth embodiment of a container showing our new design;
 FIG. 23 is a front elevational view of the fourth embodiment of the container shown in FIG. 22;
 FIG. 24 is a rear elevational view of the fourth embodiment of the container shown in FIG. 22;
 FIG. 25 is a side elevational view of the fourth embodiment of the container shown in FIG. 22;
 FIG. 26 is an elevational view of another side of the fourth embodiment of the container shown in FIG. 22;
 FIG. 27 is a plan view of the fourth embodiment of the container shown in FIG. 22; and,
 FIG. 28 is a bottom plan view of the fourth embodiment of the container shown in FIG. 22.
 The broken lines showing the bottom of the container are included to show features that form no part of the claimed design.

1 Claim, 20 Drawing Sheets

(30) **Foreign Application Priority Data**

Jan. 22, 2019 (EM) 006081048-0003
 Jan. 22, 2019 (EM) 006081048-0004
 Jan. 22, 2019 (EM) 006081048-0005

(58) **Field of Classification Search**

USPC D9/563, 524, 684, 689, 691, 727;
 D3/202, 203.1, 203.2, 205, 207–208, 212,
 D3/218, 219; D27/186, 189–191;
 D28/66, 75–76, 85; D7/635
 CPC .. A45D 34/041; B65D 1/0223; B65D 23/102;
 B65D 2501/0081
 See application file for complete search history.

(56)

References Cited

U.S. PATENT DOCUMENTS

D281,281 S *	11/1985	Matalon	D9/521
D281,764 S *	12/1985	Legrottaglie	D9/504
D289,565 S *	4/1987	Mann	D9/529
D302,384 S	7/1989	Holewinski	
D310,325 S	9/1990	Moglia	
D317,407 S	6/1991	Gray et al.	
D342,677 S	12/1993	Cazaudehore	
D353,332 S *	12/1994	Behm	D9/529
D367,608 S	3/1996	Stranders	
D369,097 S	4/1996	Dinand	
D391,158 S	2/1998	Bicknell et al.	
D403,589 S *	1/1999	Wong	D9/529
D403,590 S *	1/1999	Wong	D9/529
D423,713 S *	4/2000	Szekely	D9/529
D427,424 S *	7/2000	Conway	D3/203.5
D470,415 S	2/2003	Weber	
D475,282 S	6/2003	Snaith et al.	
D475,298 S	6/2003	Corrigan et al.	
D476,897 S *	7/2003	Brozell	D9/521
D492,592 S *	7/2004	Palomino, Jr.	D9/504
D499,653 S *	12/2004	Karim	D9/529
D532,695 S	11/2006	Grant	
D573,474 S *	7/2008	Beam	D9/529
D604,168 S *	11/2009	El Ghouyel	D9/529
D616,753 S *	6/2010	Beam	D9/529
D643,294 S	8/2011	Thorpe et al.	
D661,192 S *	6/2012	Hwang	D9/504
D672,642 S *	12/2012	Supranowicz	D9/420
D691,480 S	11/2013	Shukla	
D733,565 S	7/2015	Leventhal	
D752,442 S	3/2016	O'Donahue	
D752,987 S	4/2016	Dyer et al.	
D765,512 S *	9/2016	Joulia	D9/504
D814,118 S *	3/2018	McIver	D28/85
D818,648 S *	5/2018	Cleij	D28/85
D830,837 S	10/2018	Pires et al.	
D839,096 S	1/2019	Fux et al.	
D839,745 S	2/2019	Rehman et al.	
D842,111 S	3/2019	Delia	
D873,556 S *	1/2020	McGarry	D3/205
D875,533 S	2/2020	Fazlagic	
D884,284 S *	5/2020	McIver	D28/85
D891,927 S	8/2020	Zhu	
D892,497 S *	8/2020	Wright	D3/218
D892,498 S *	8/2020	Wright	D3/218
D909,207 S *	2/2021	Blomberg	D9/504

* cited by examiner

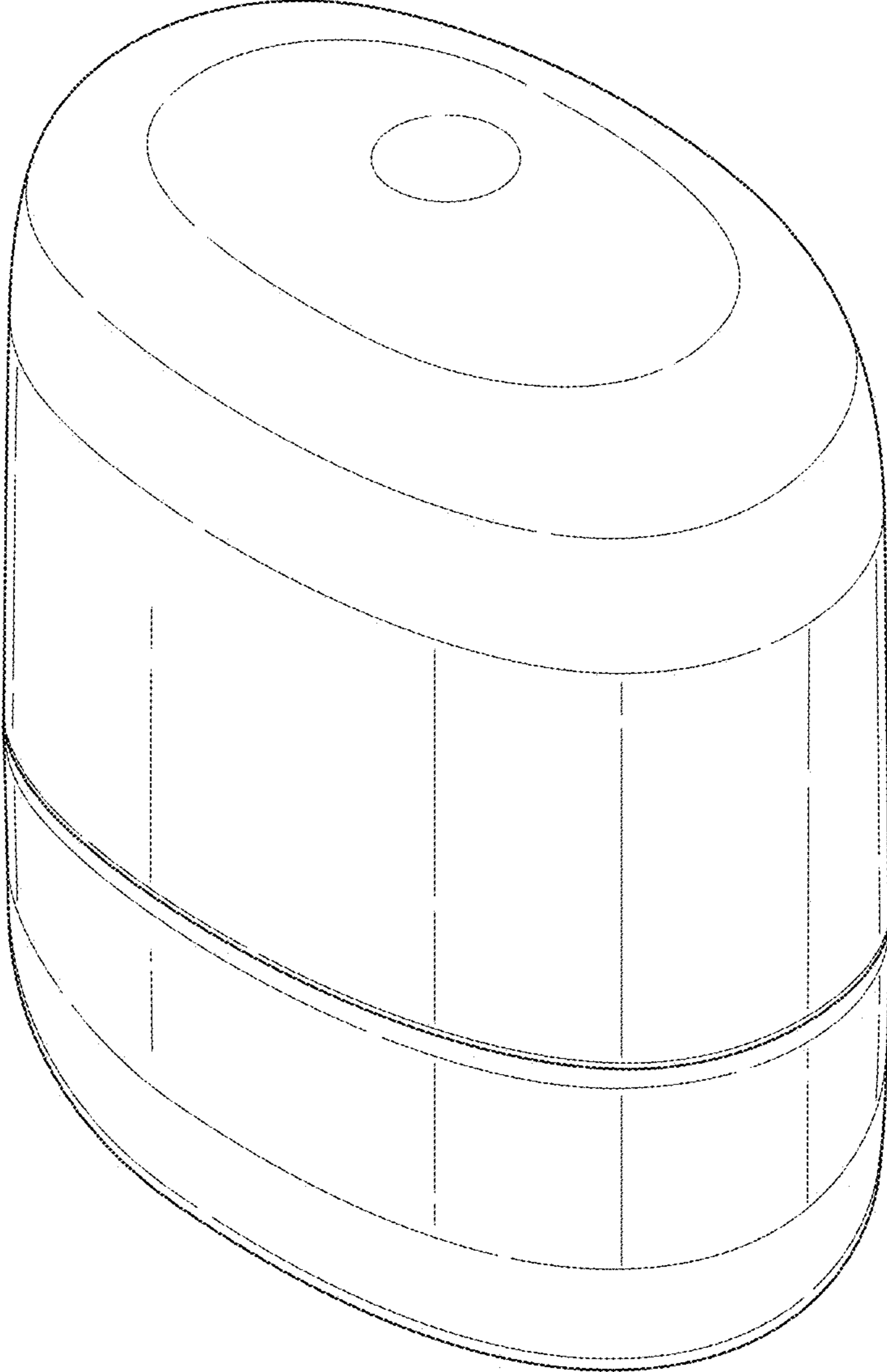


Fig. 1

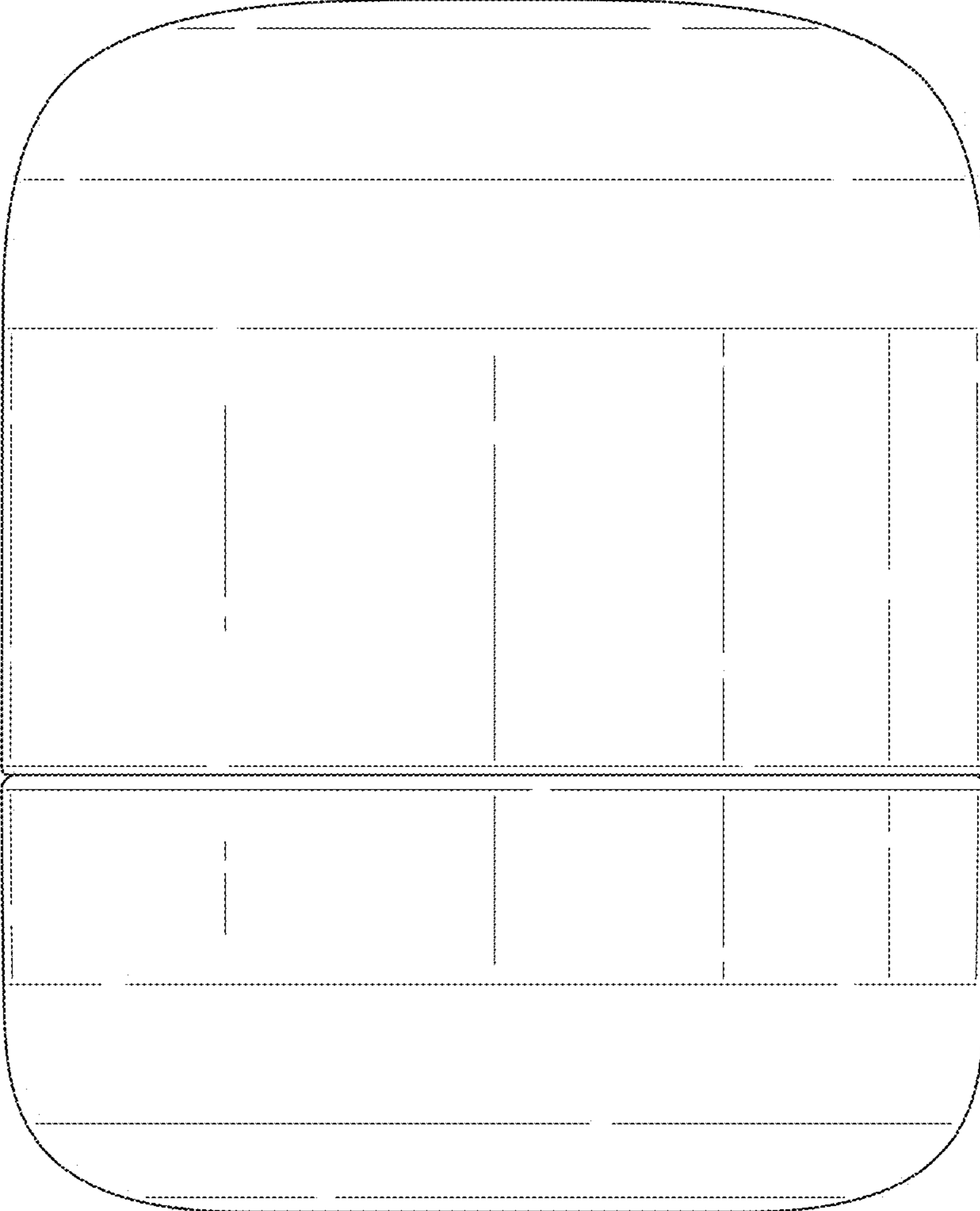


Fig. 2

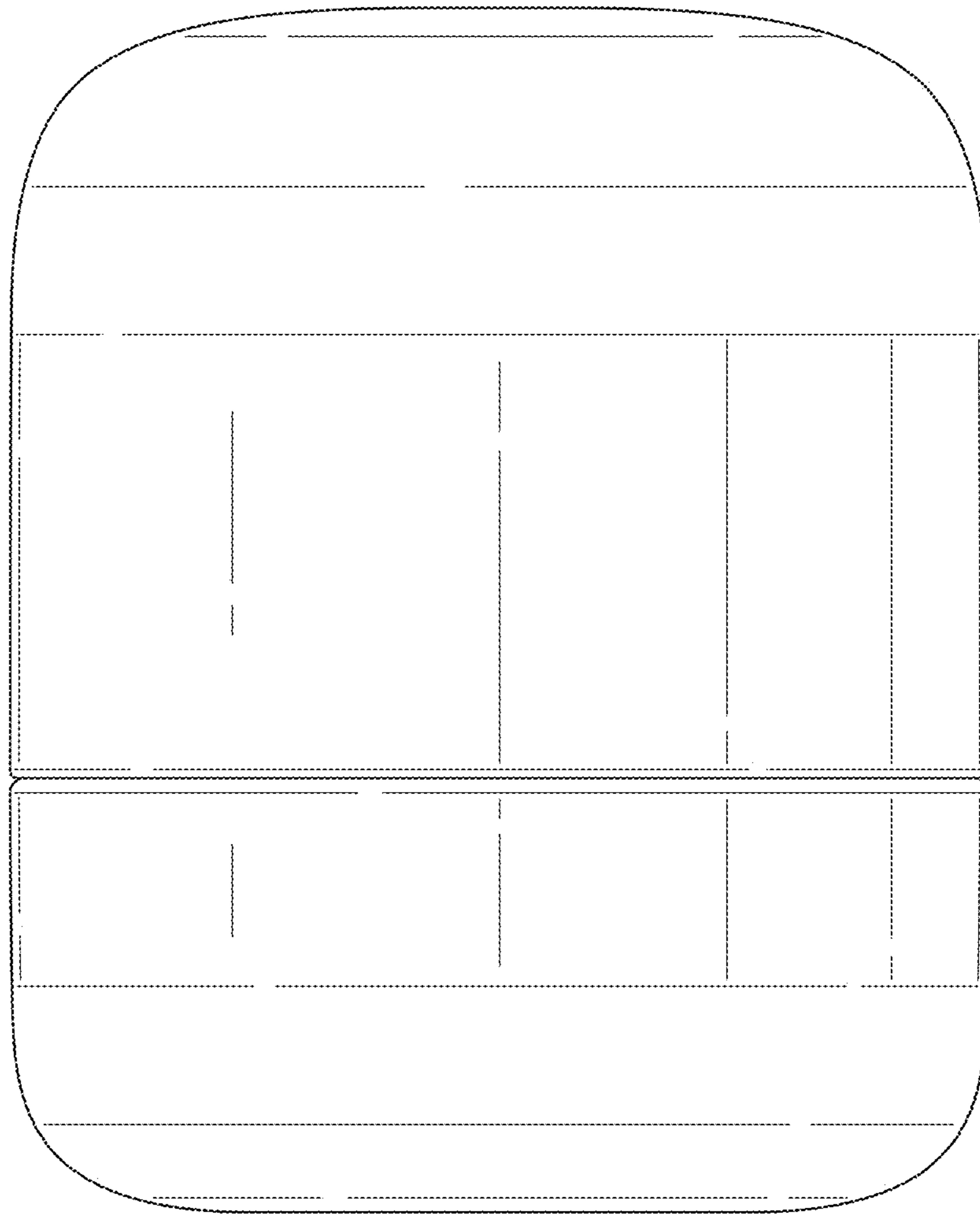


Fig. 3

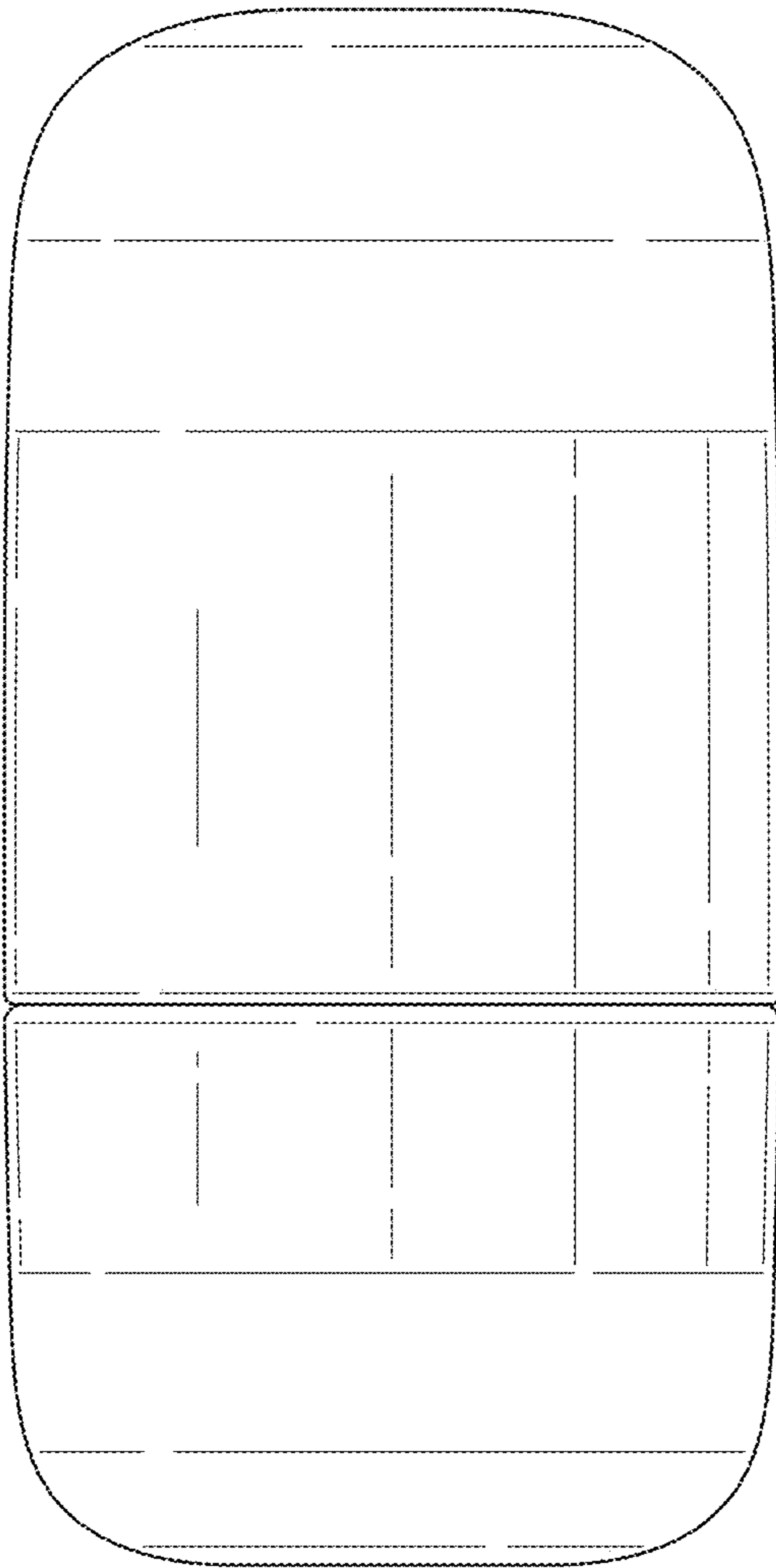


Fig. 4

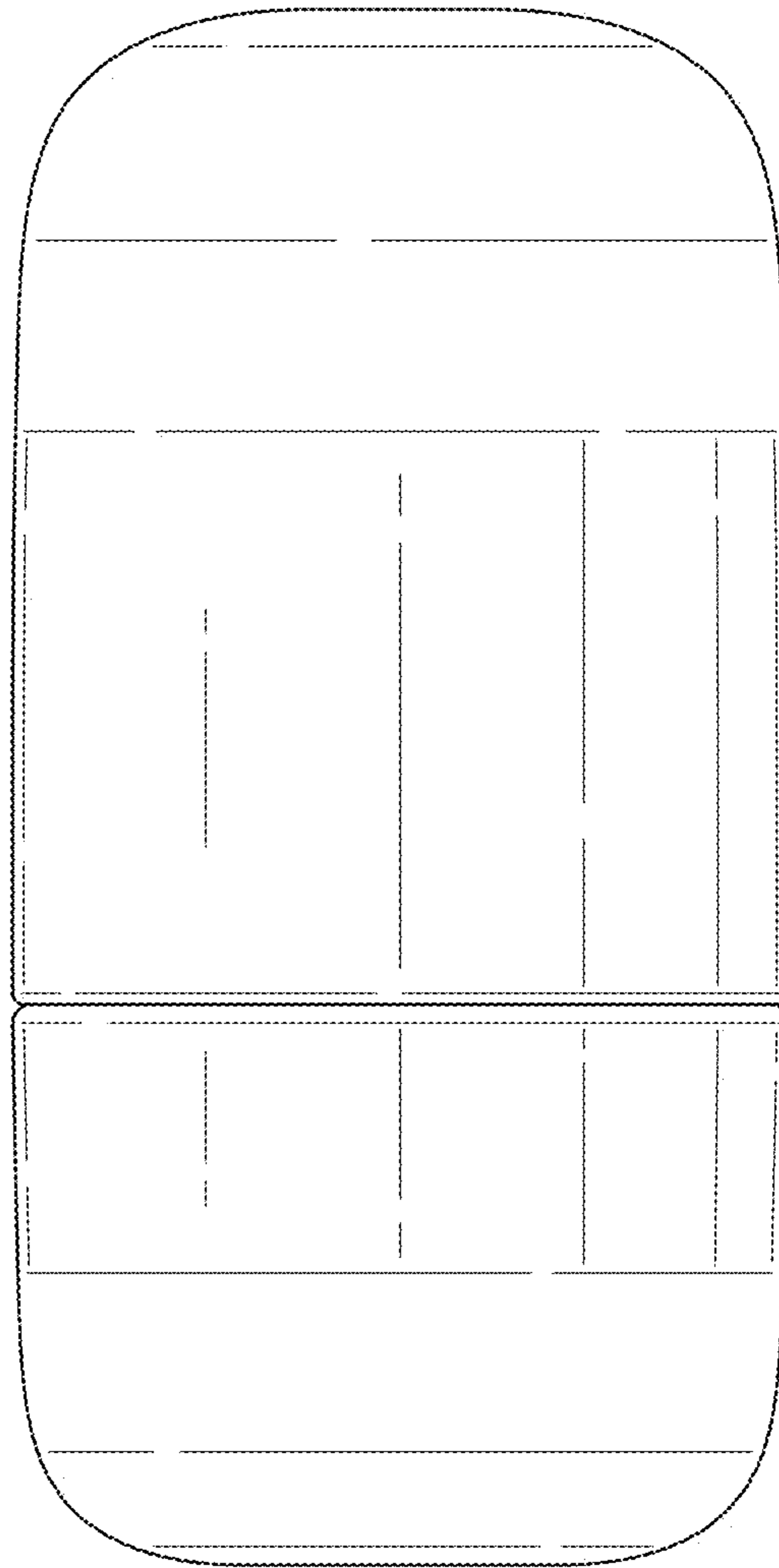


Fig. 5

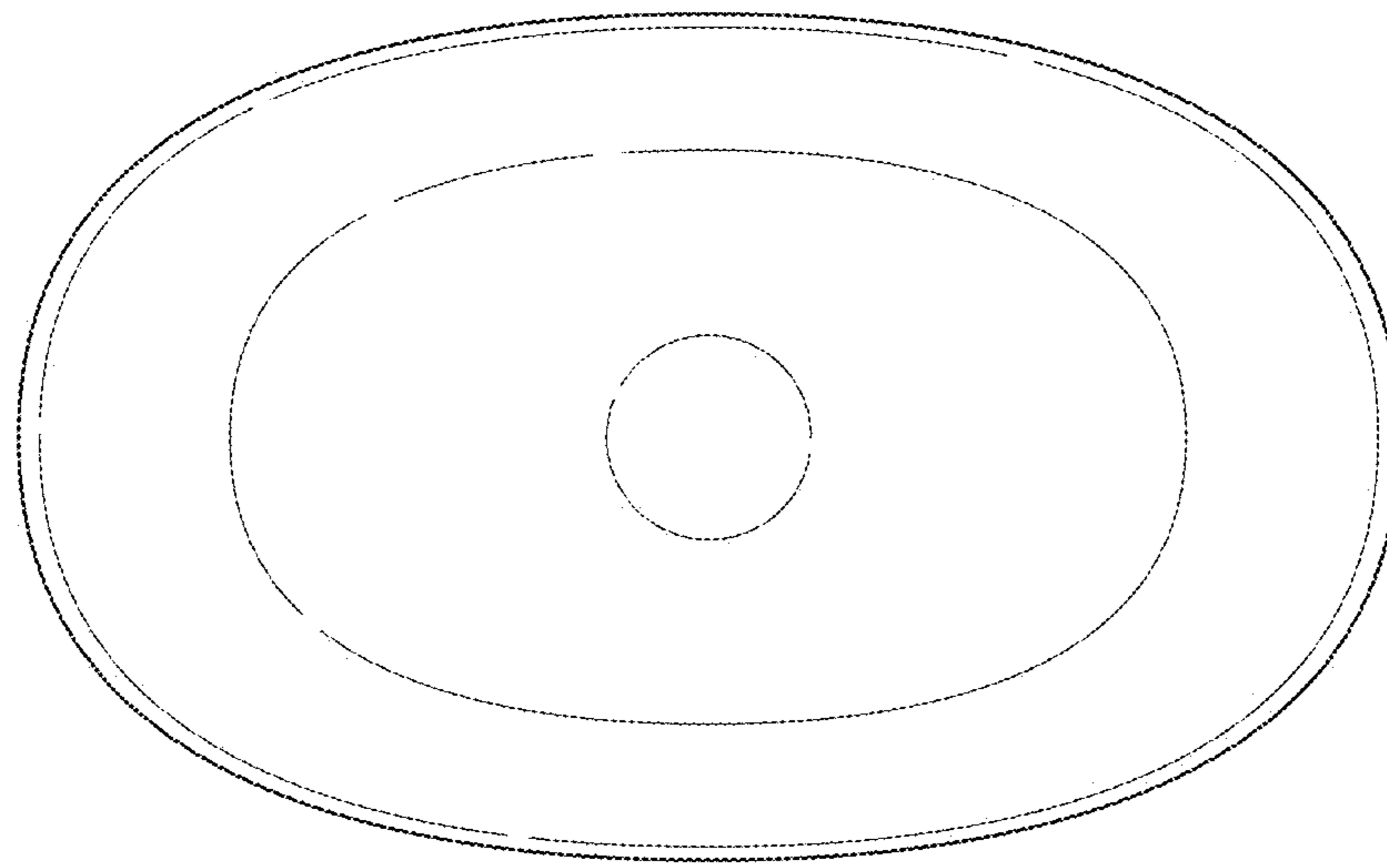


Fig. 6

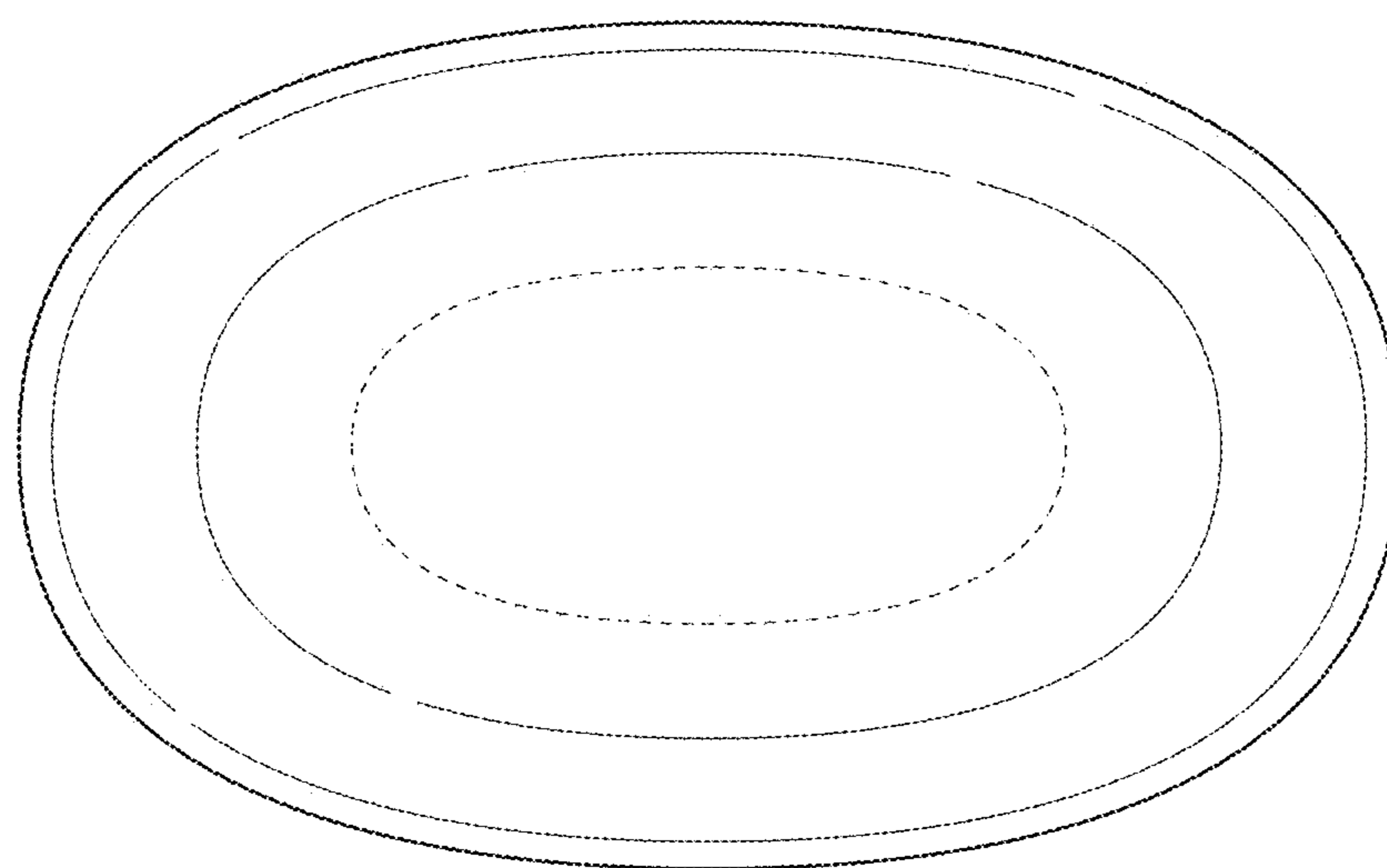


Fig. 7

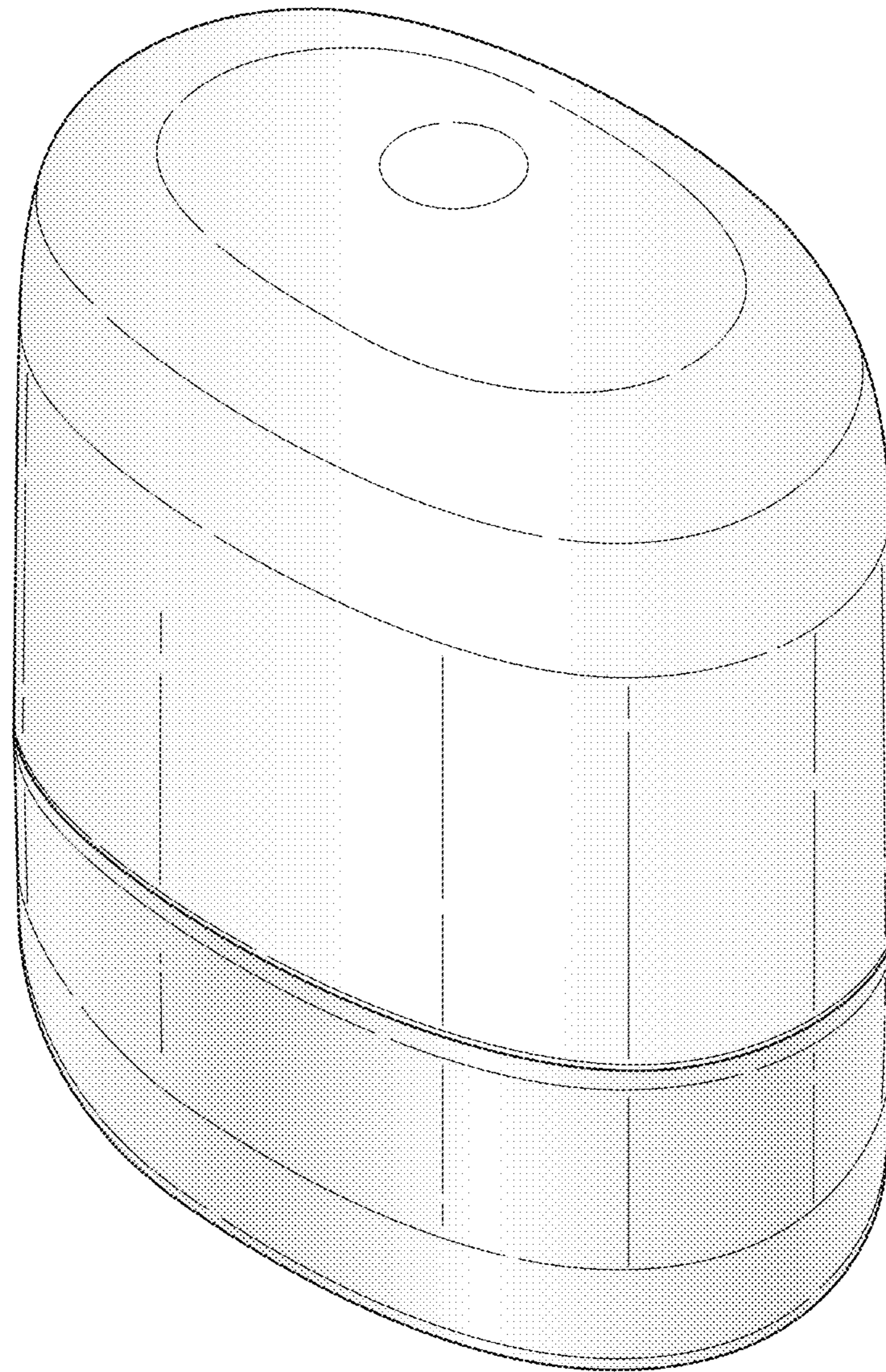


Fig. 8

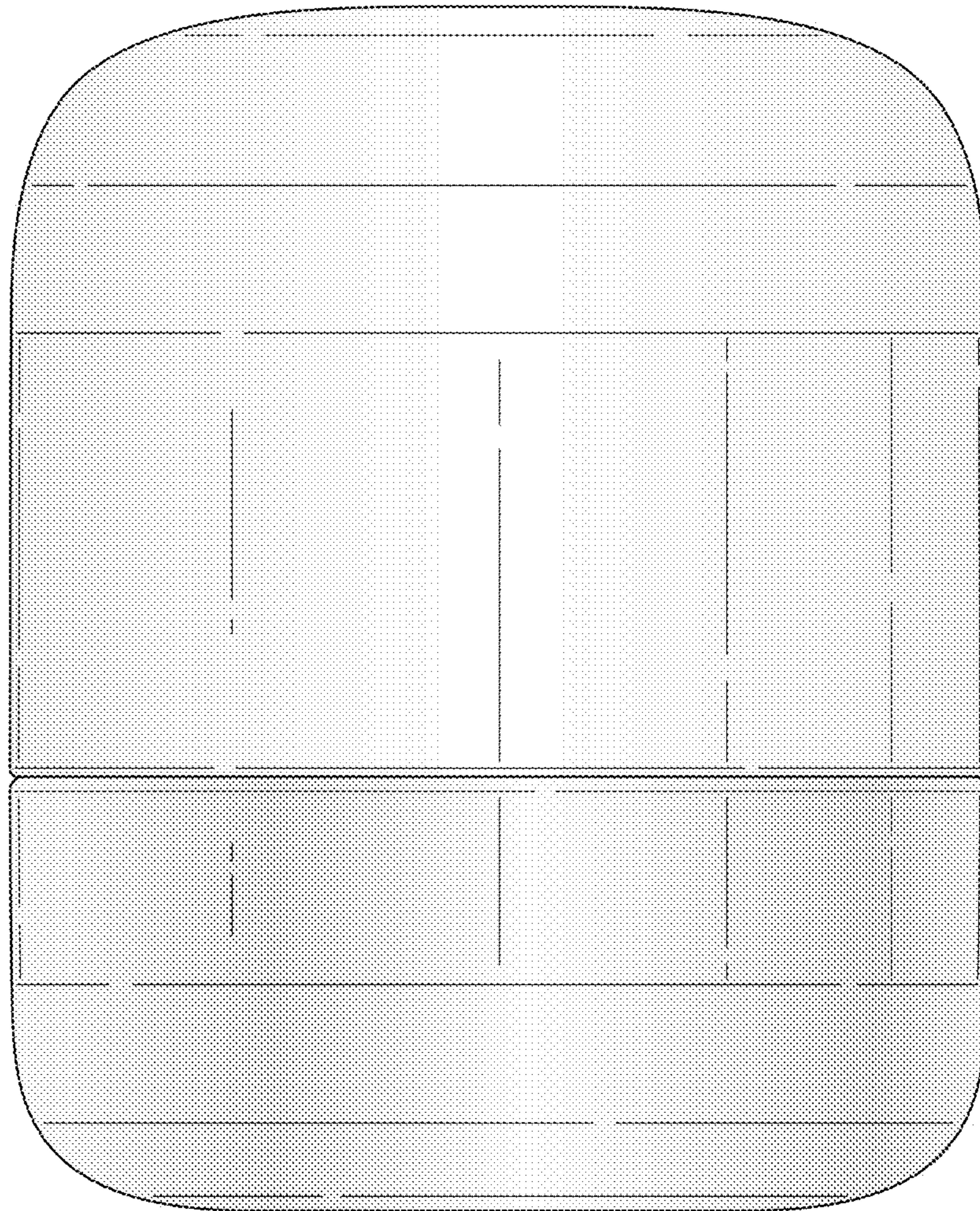


Fig. 9

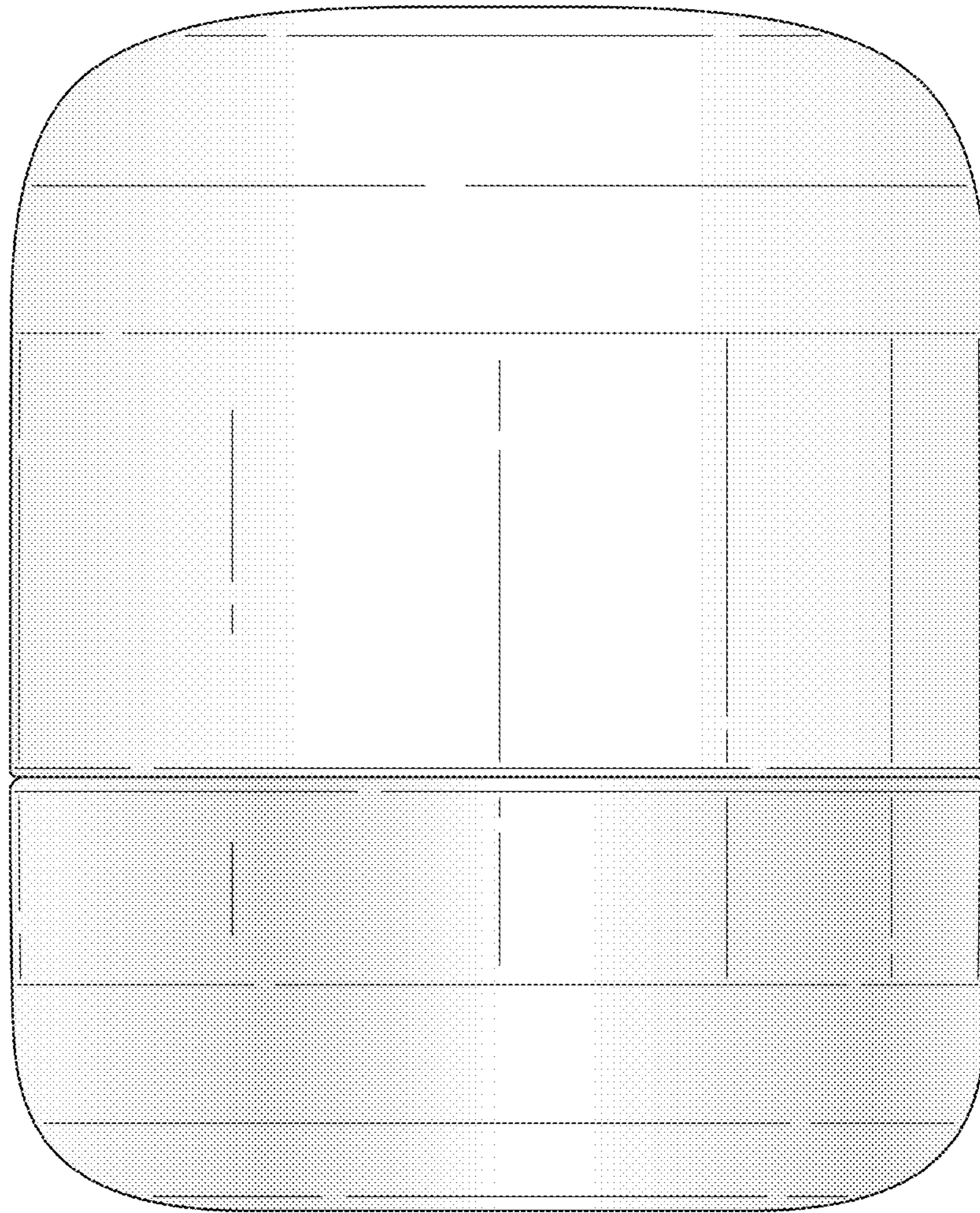


Fig. 10

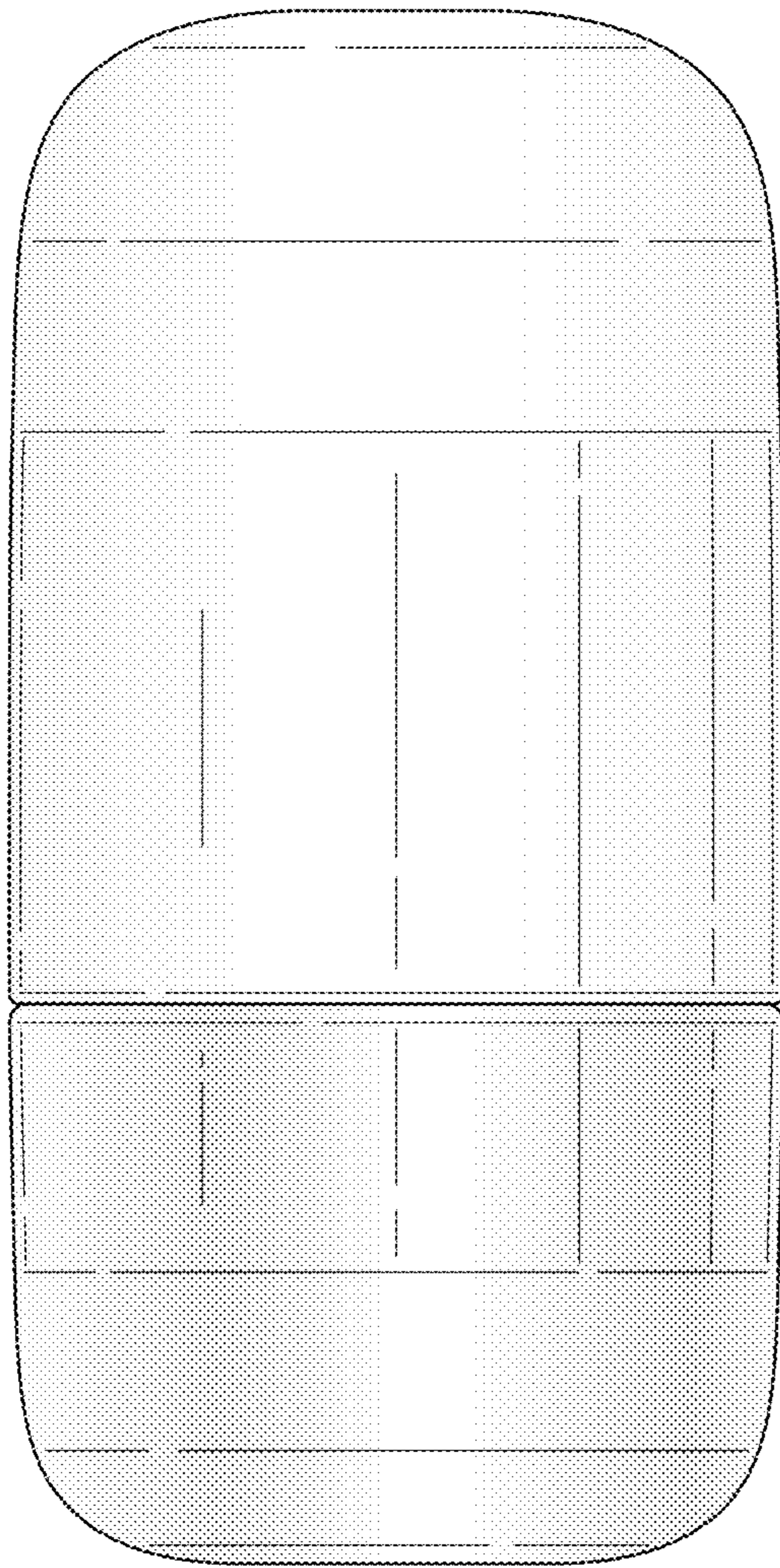


Fig. 11

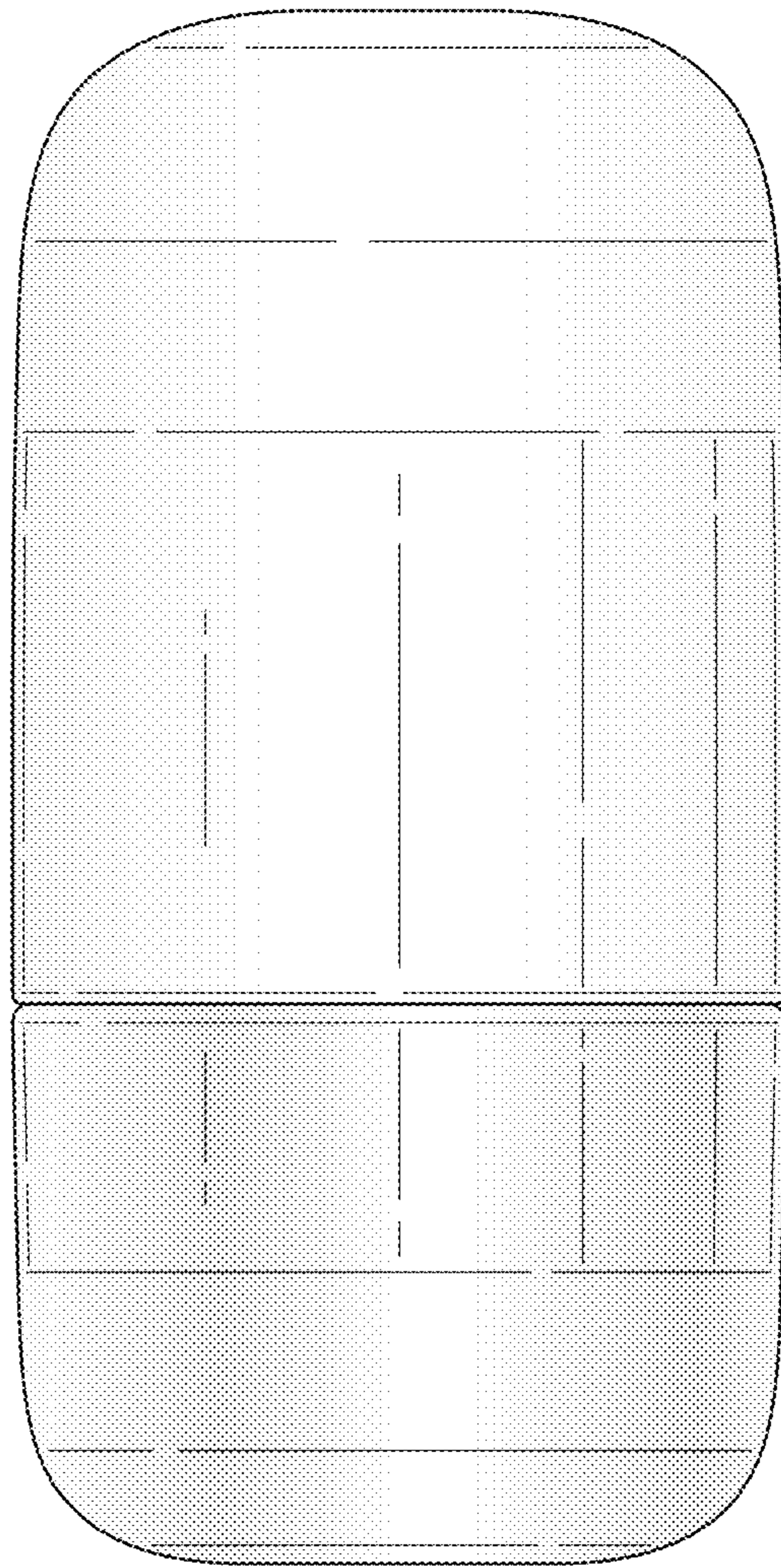


Fig. 12

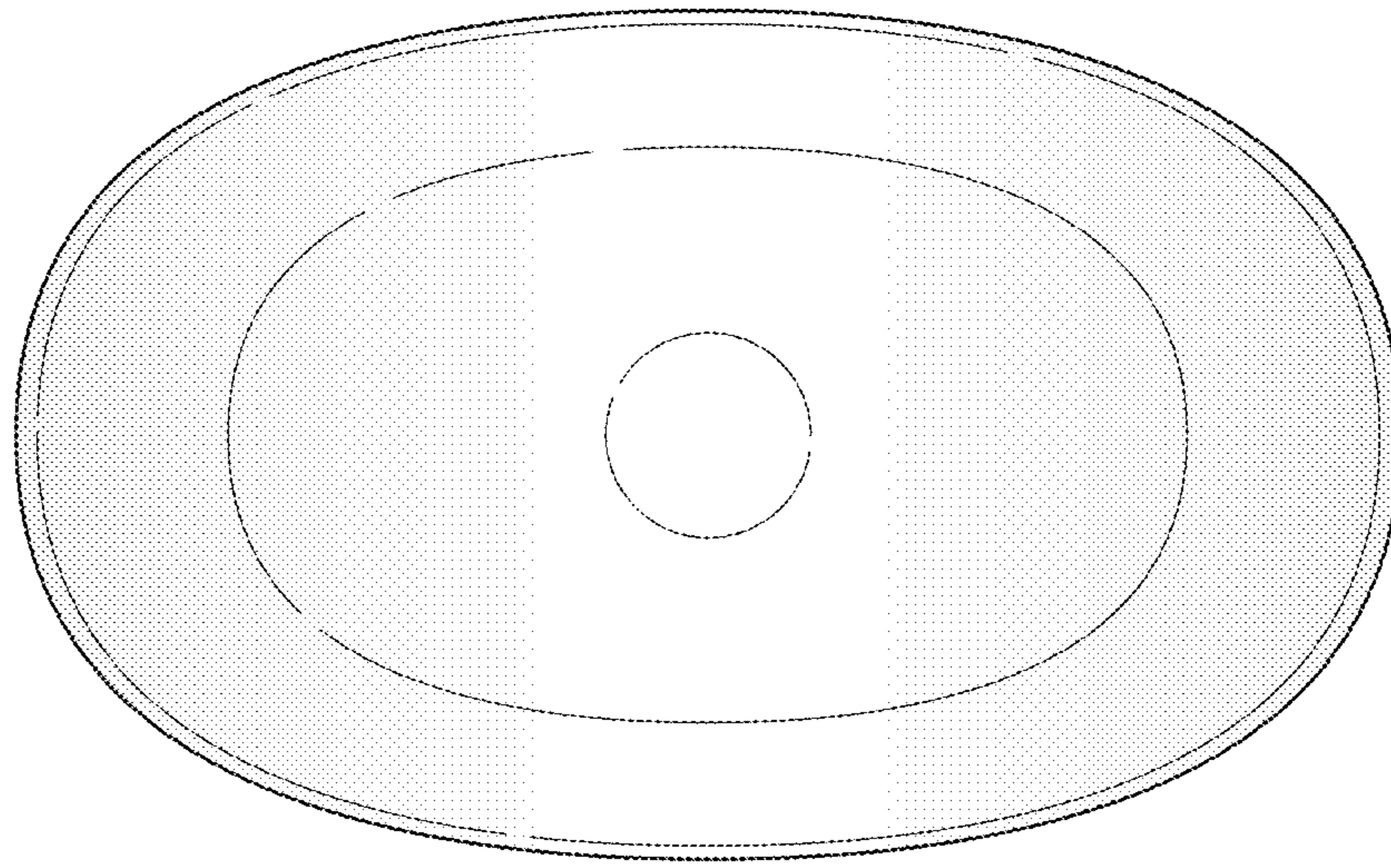


Fig. 13

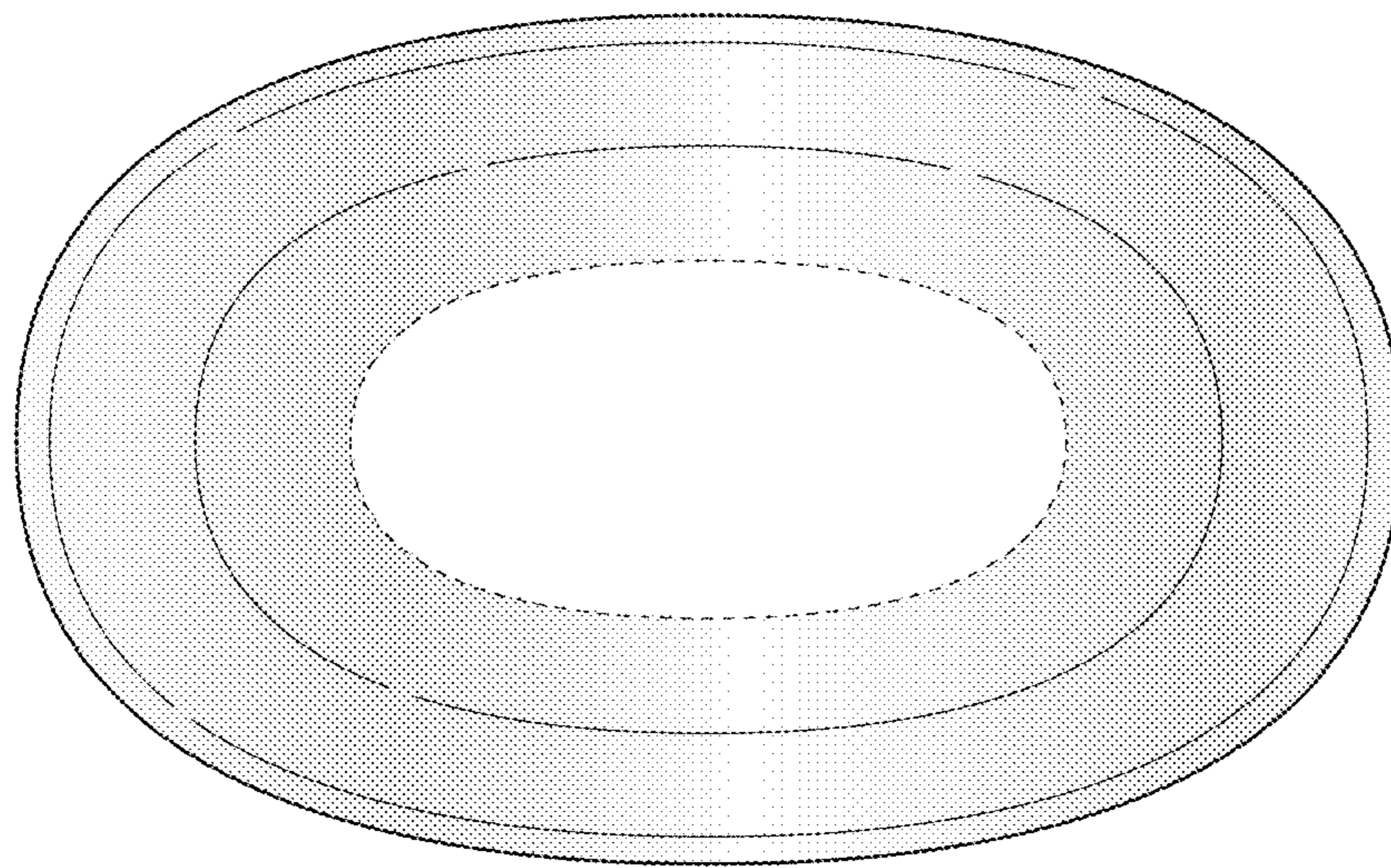


Fig. 14

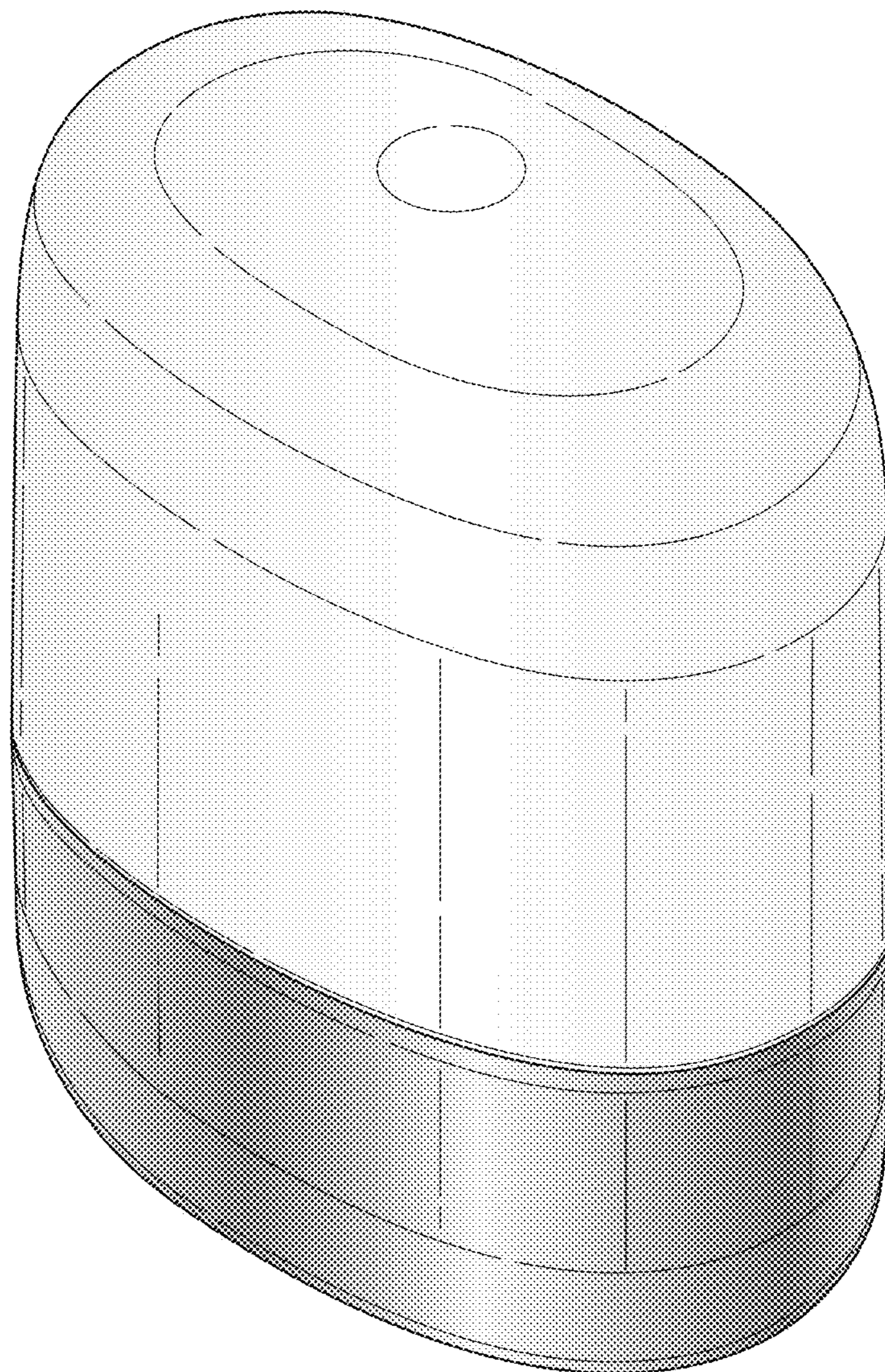


Fig. 15

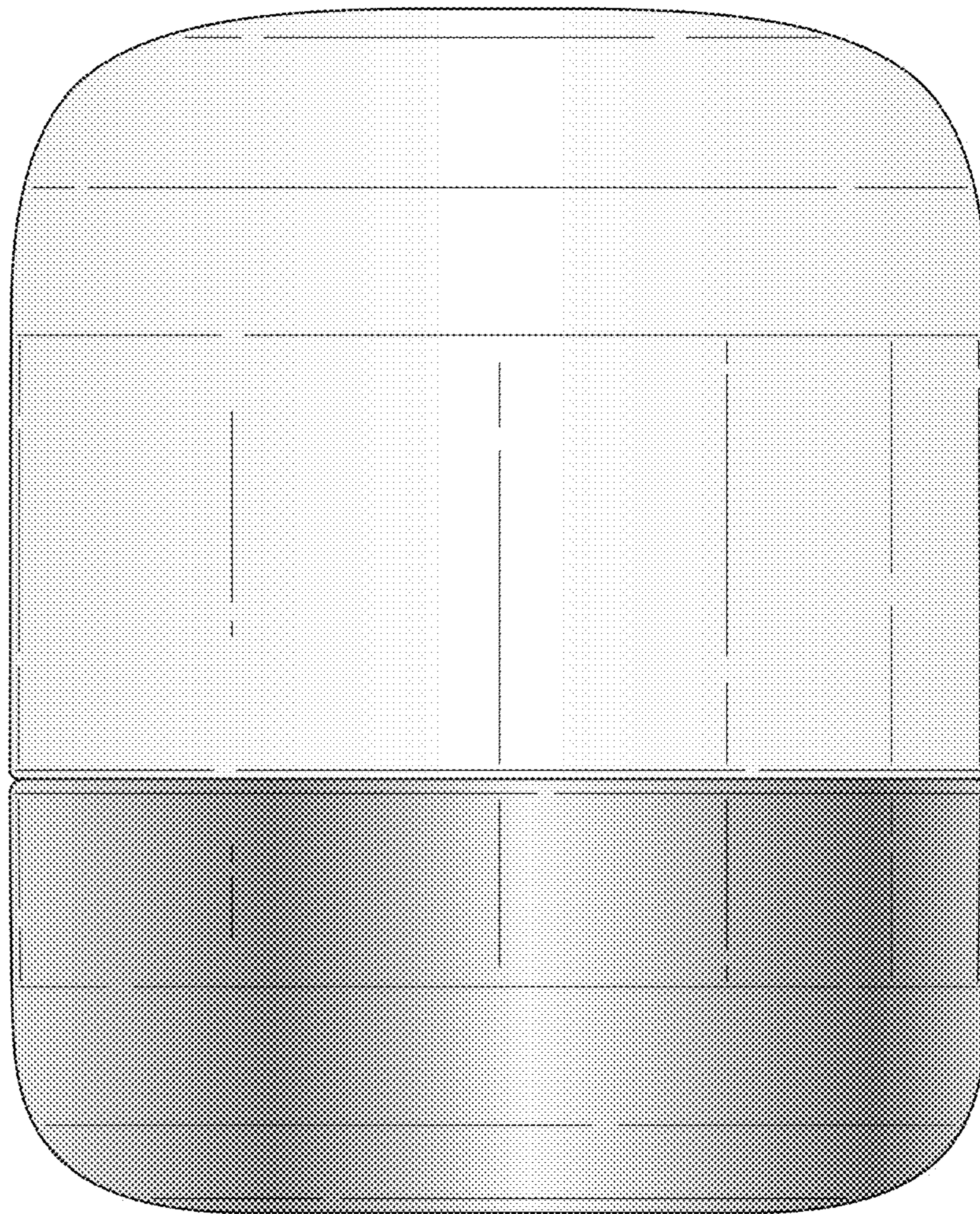


Fig. 16

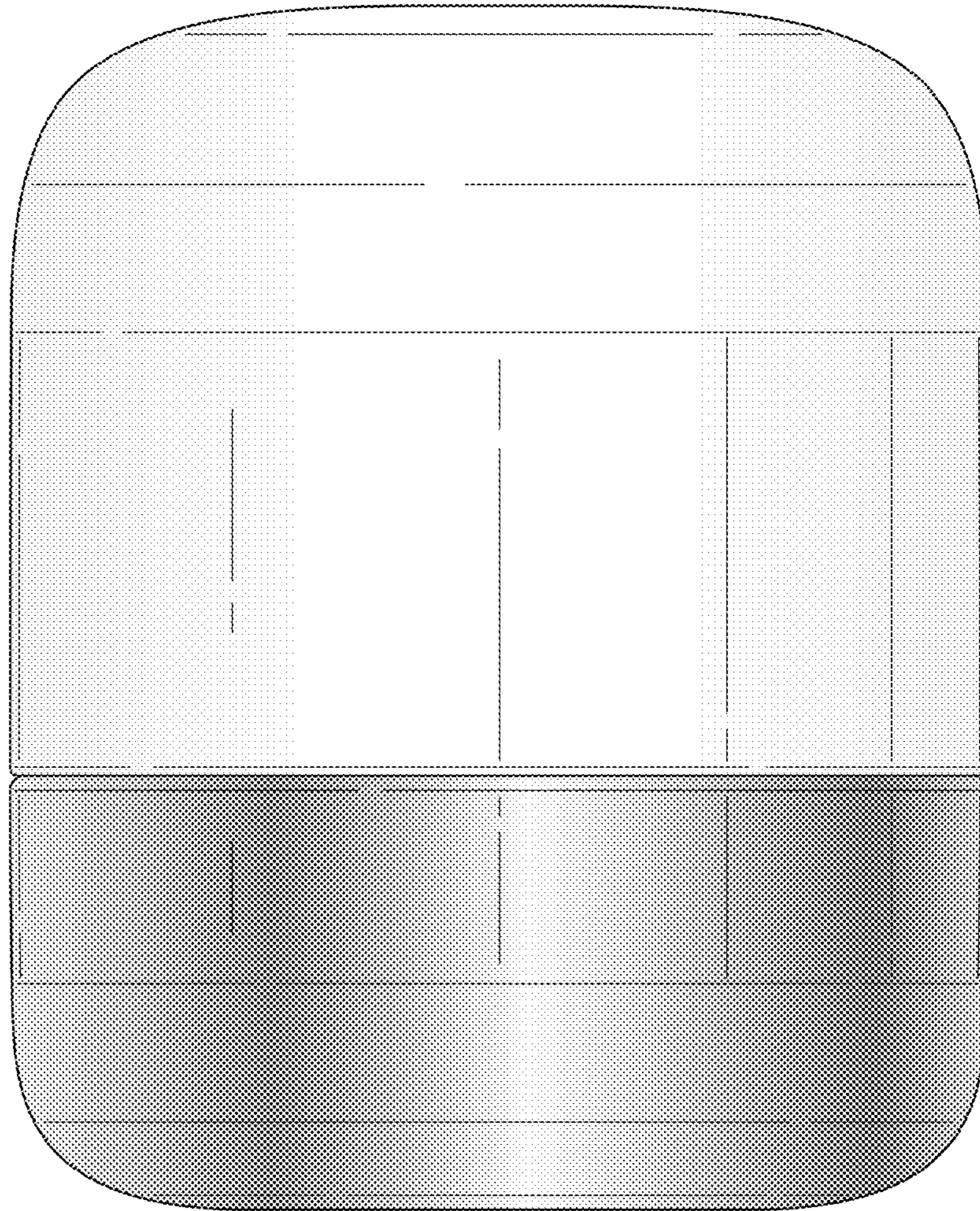


Fig. 17

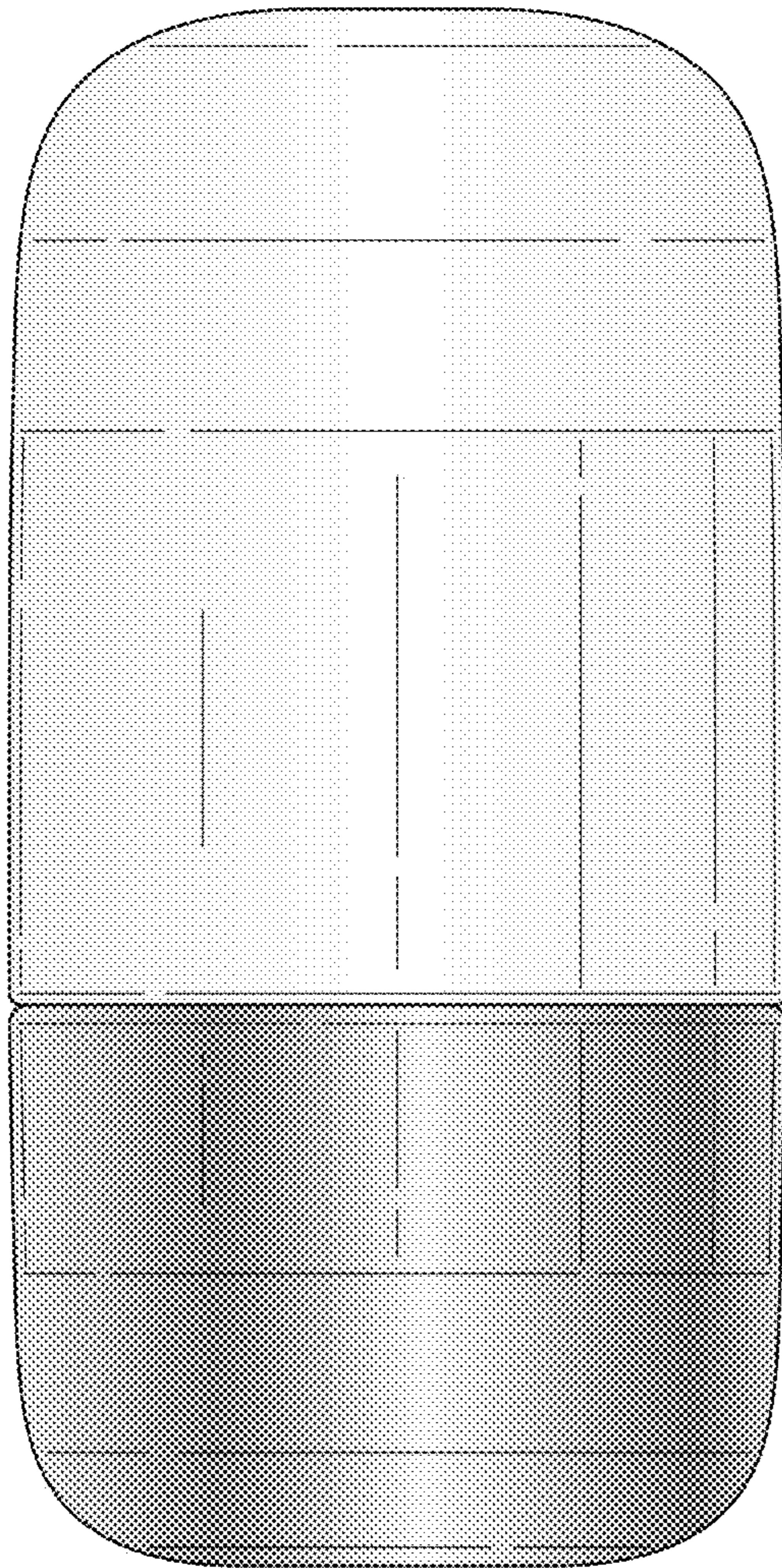


Fig. 18

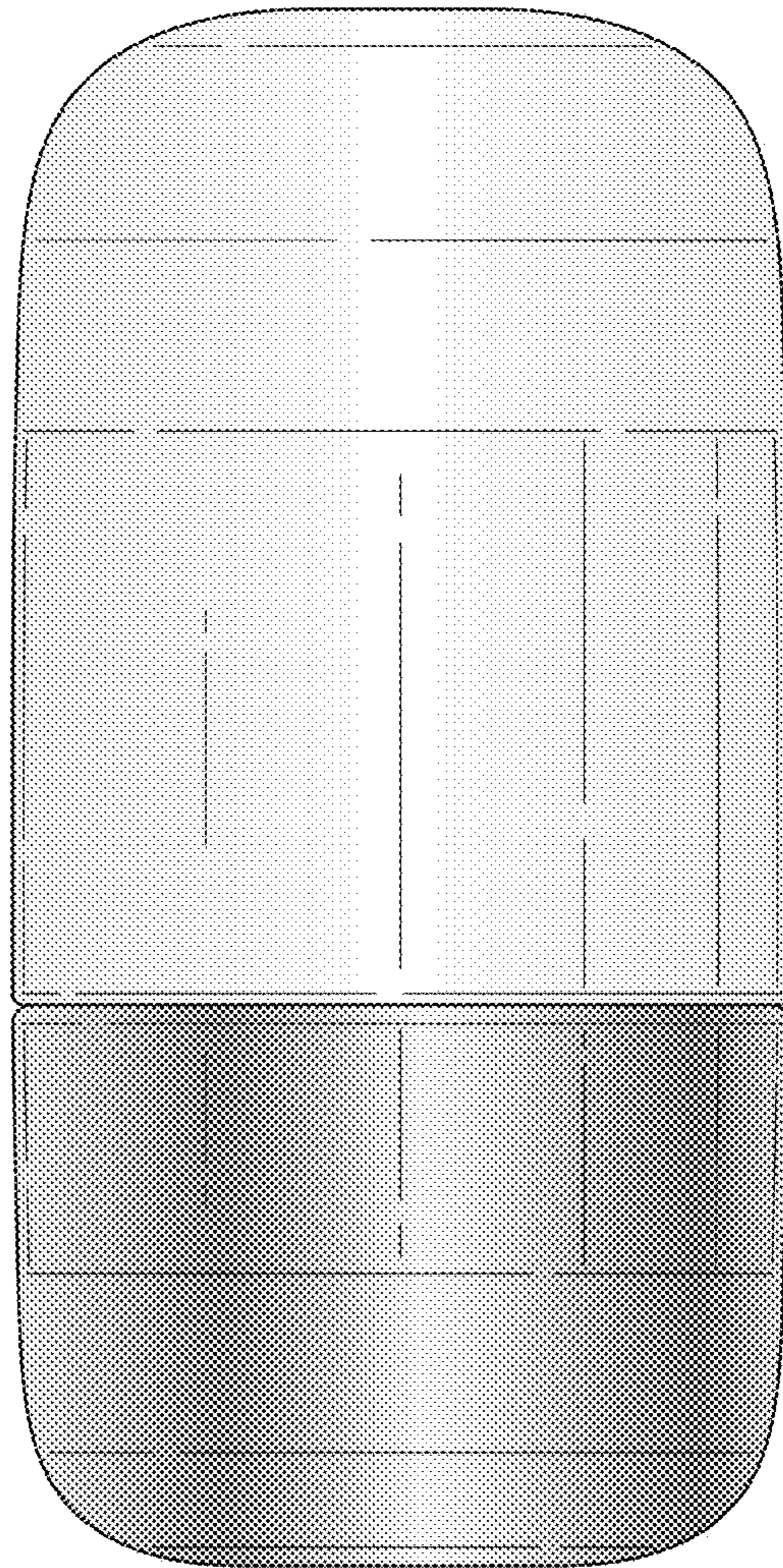


Fig. 19

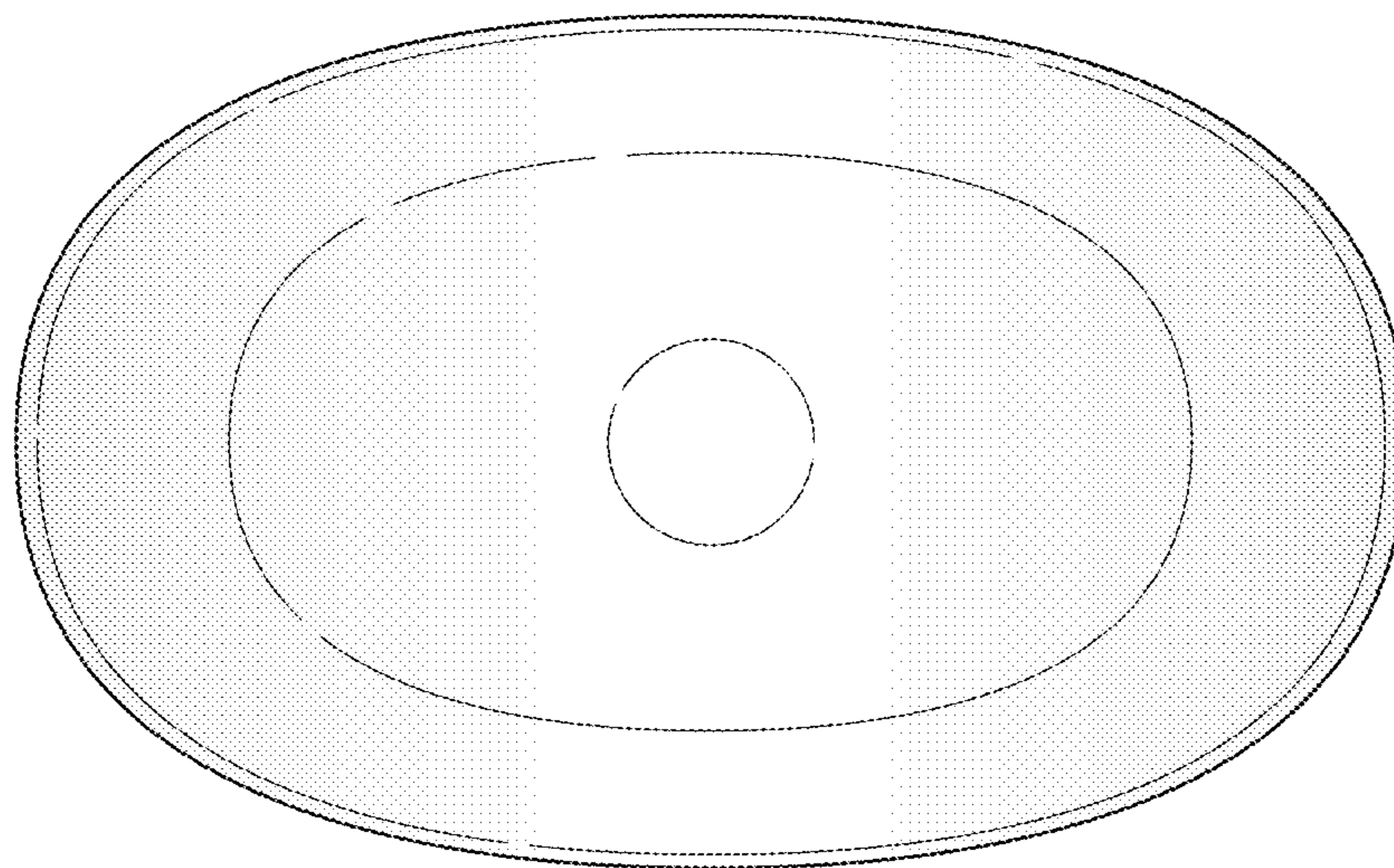


Fig. 20

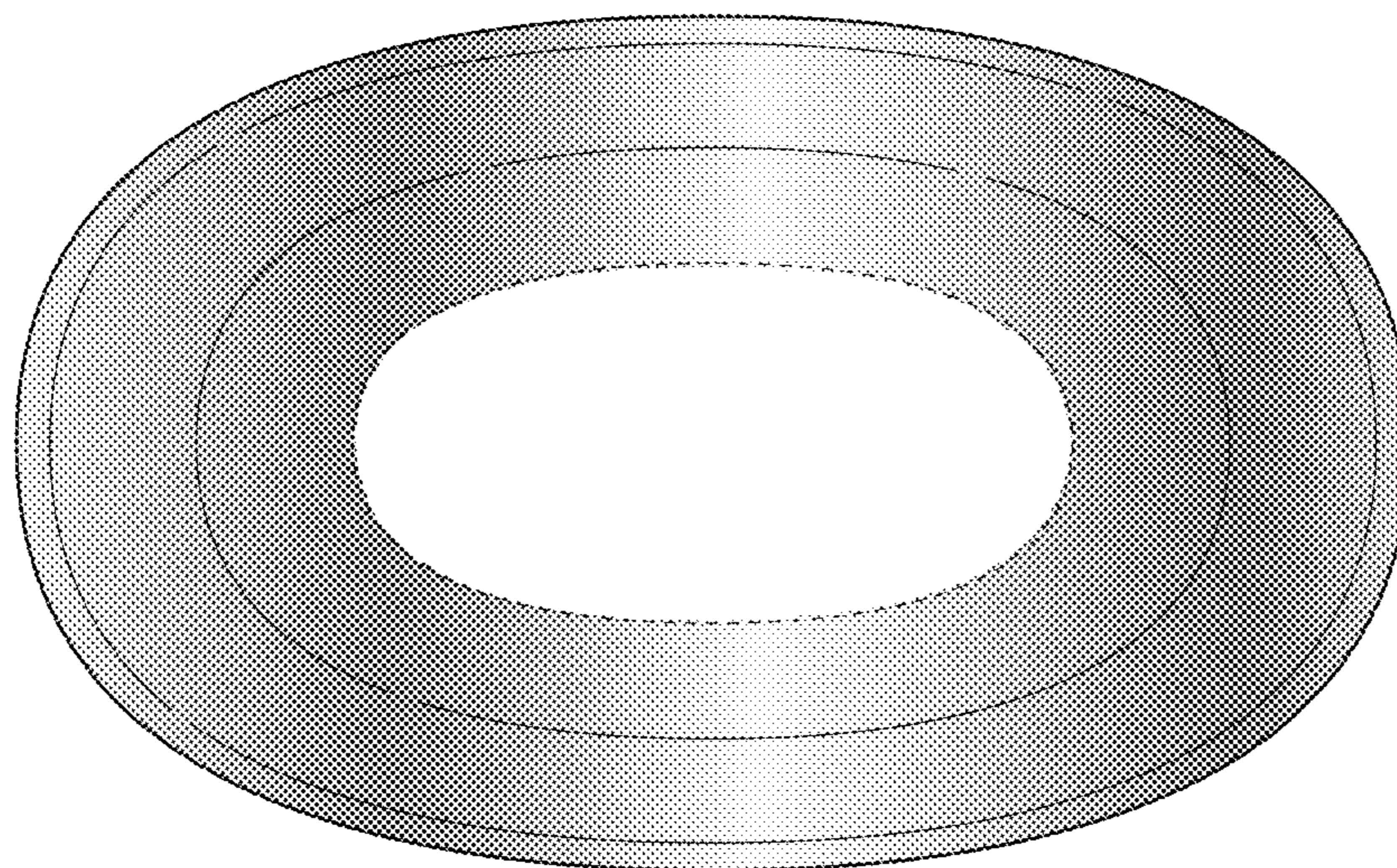


Fig. 21

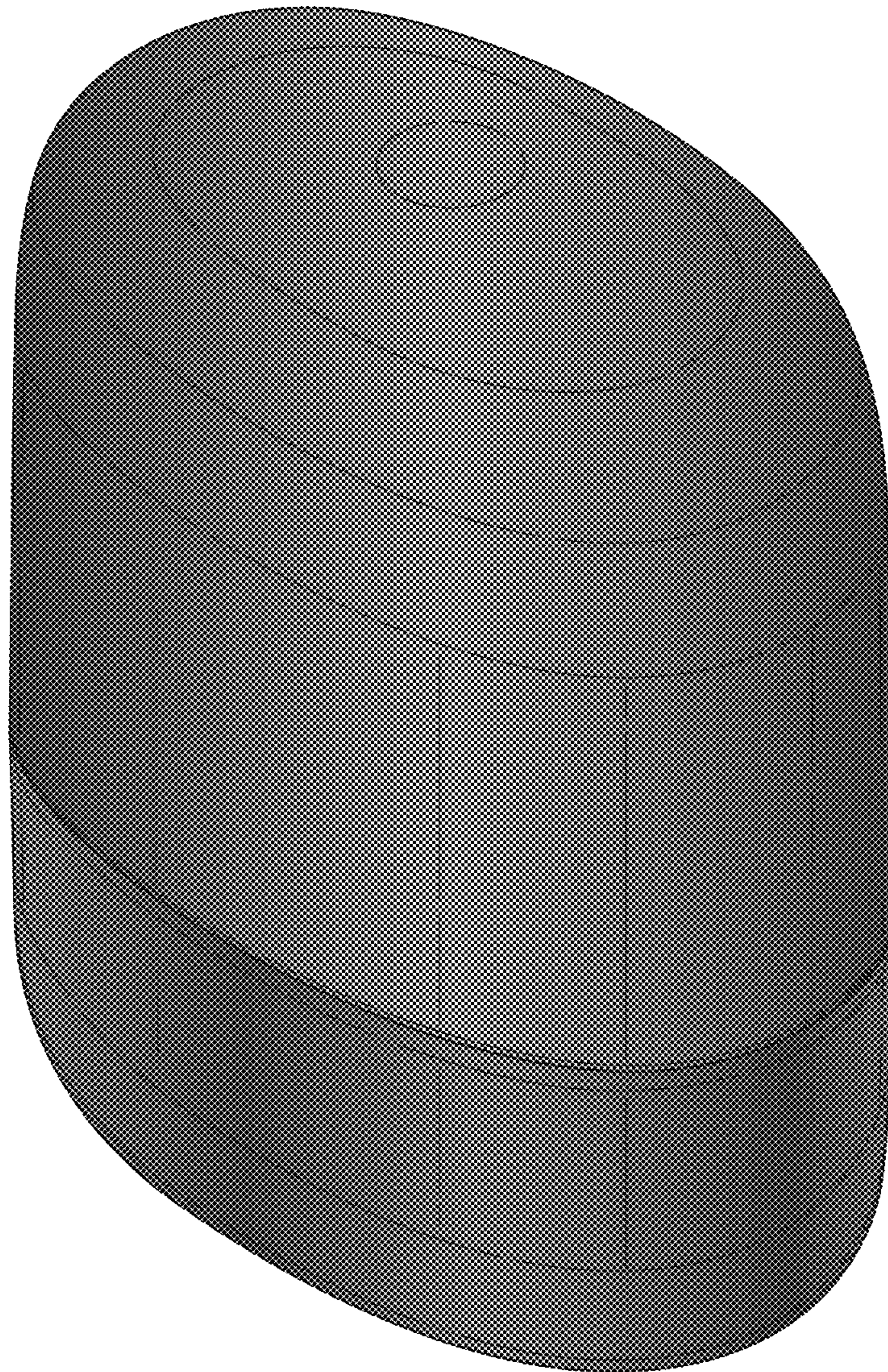


Fig. 22

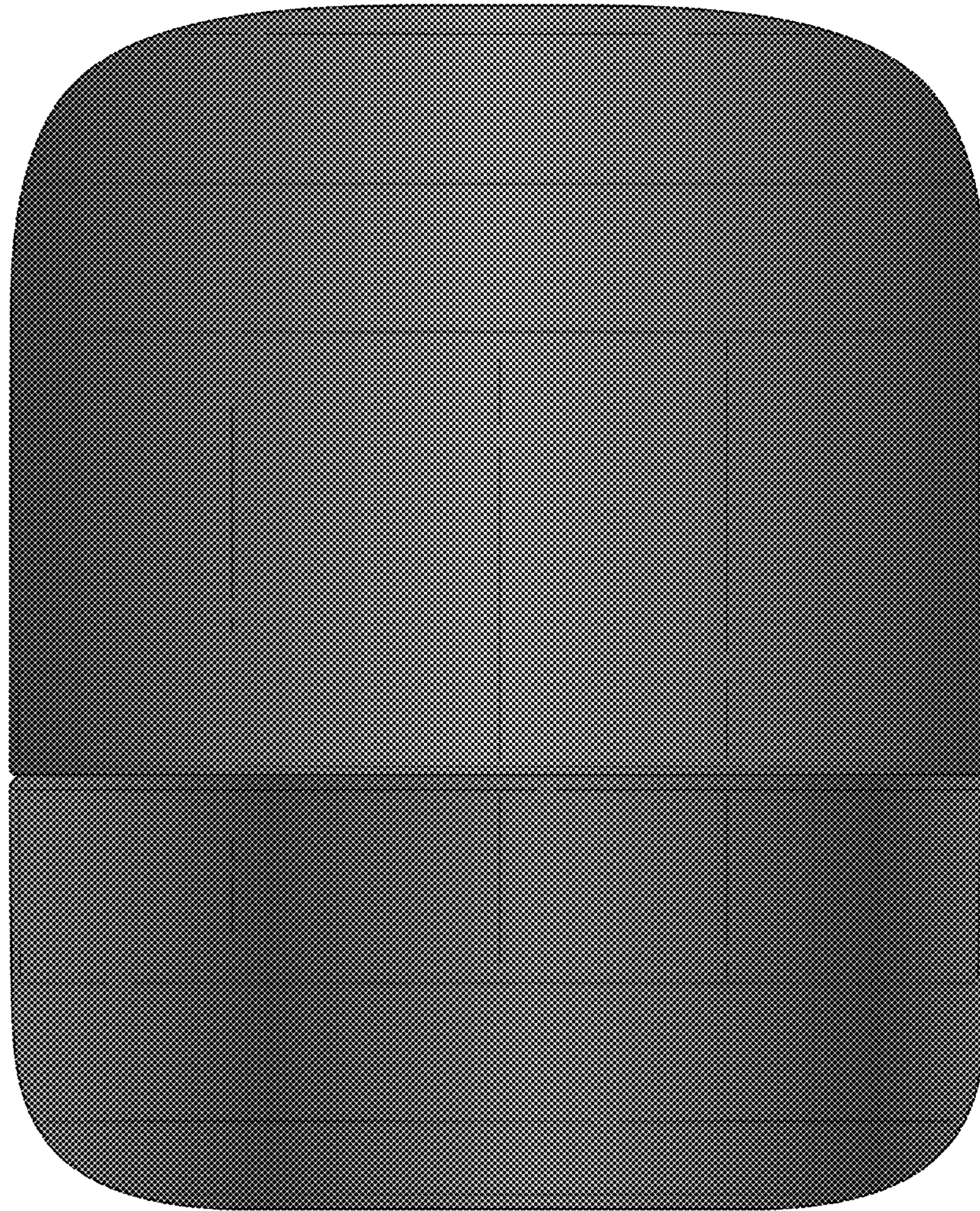


Fig. 23

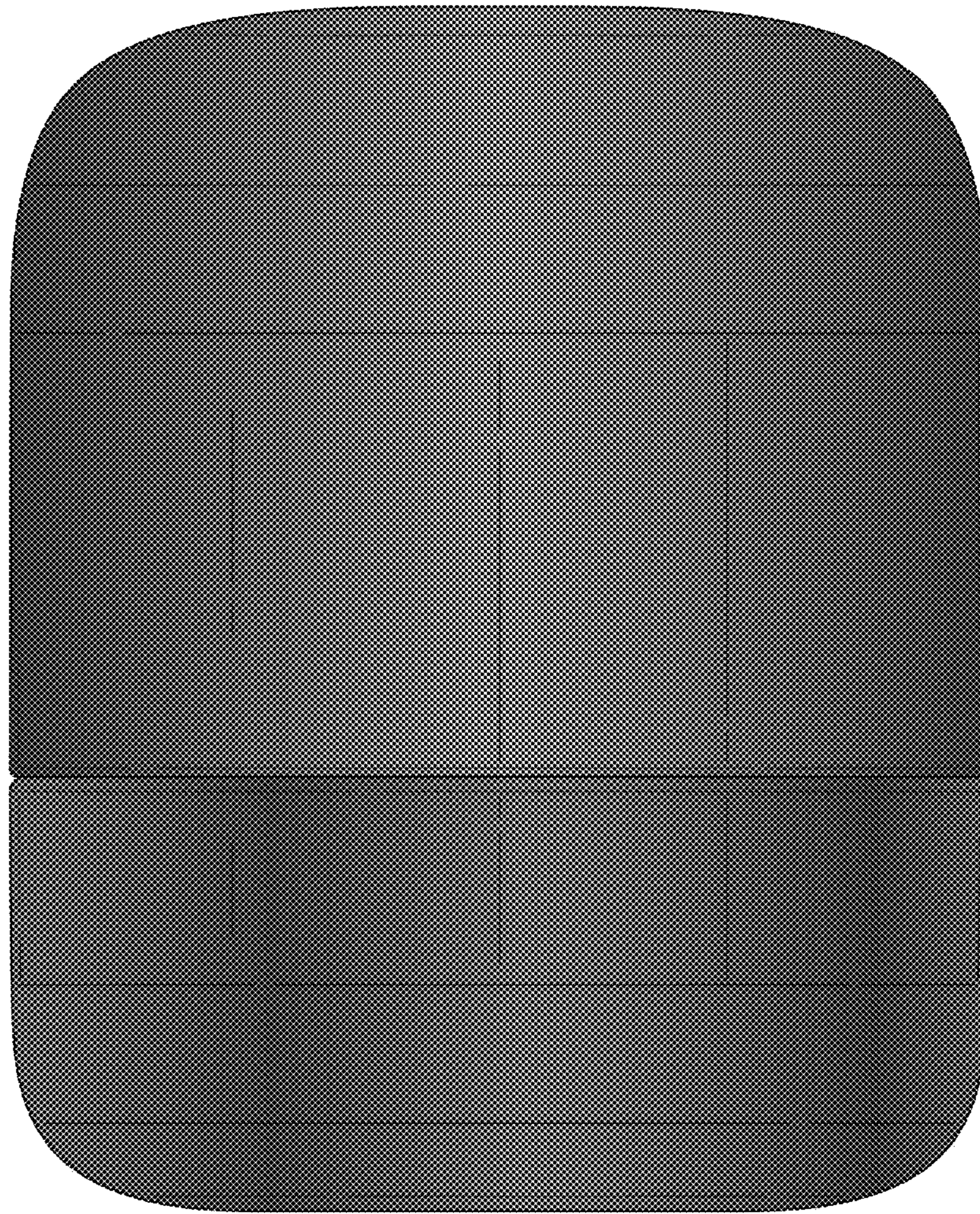


Fig. 24

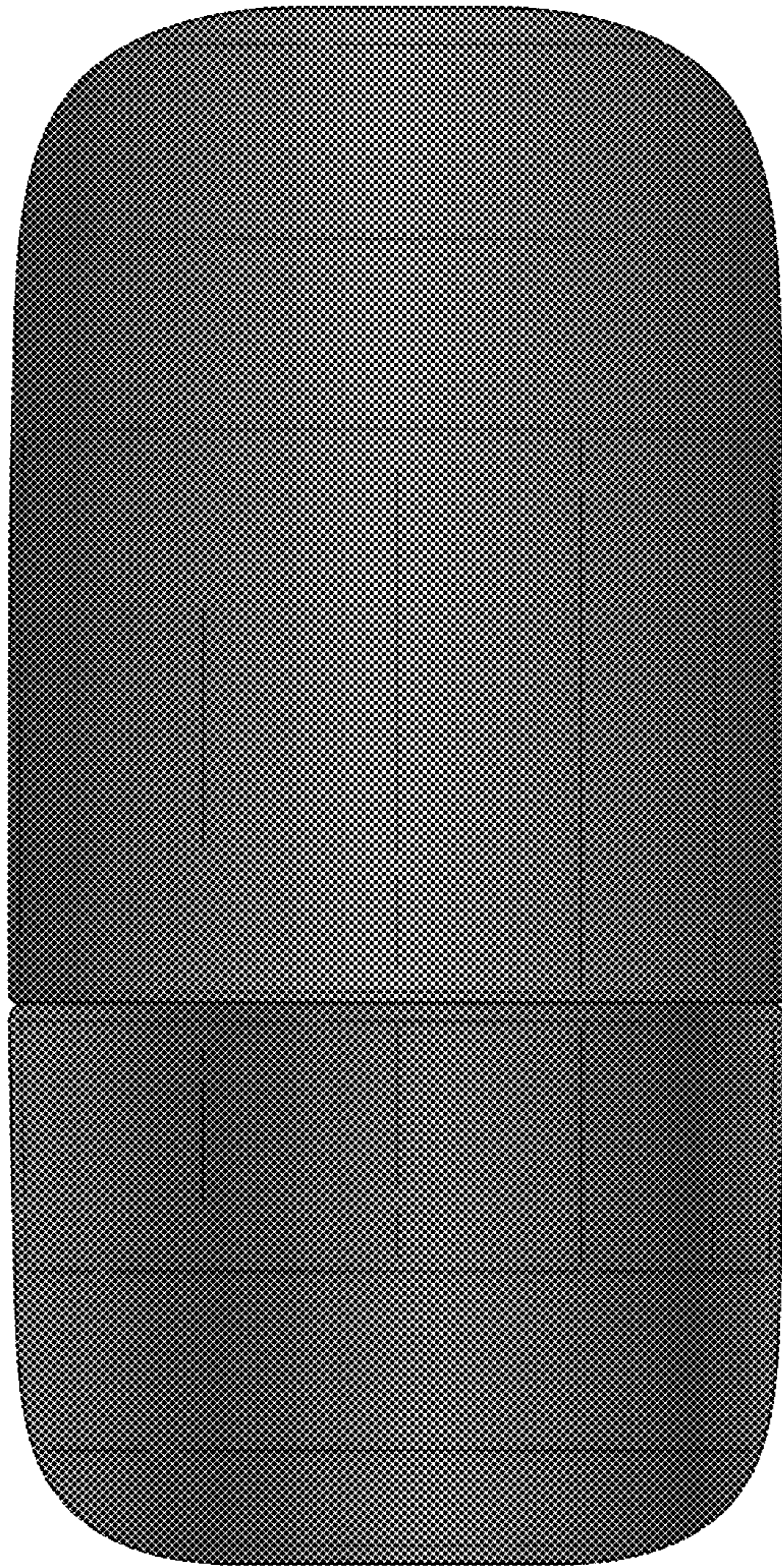


Fig. 25

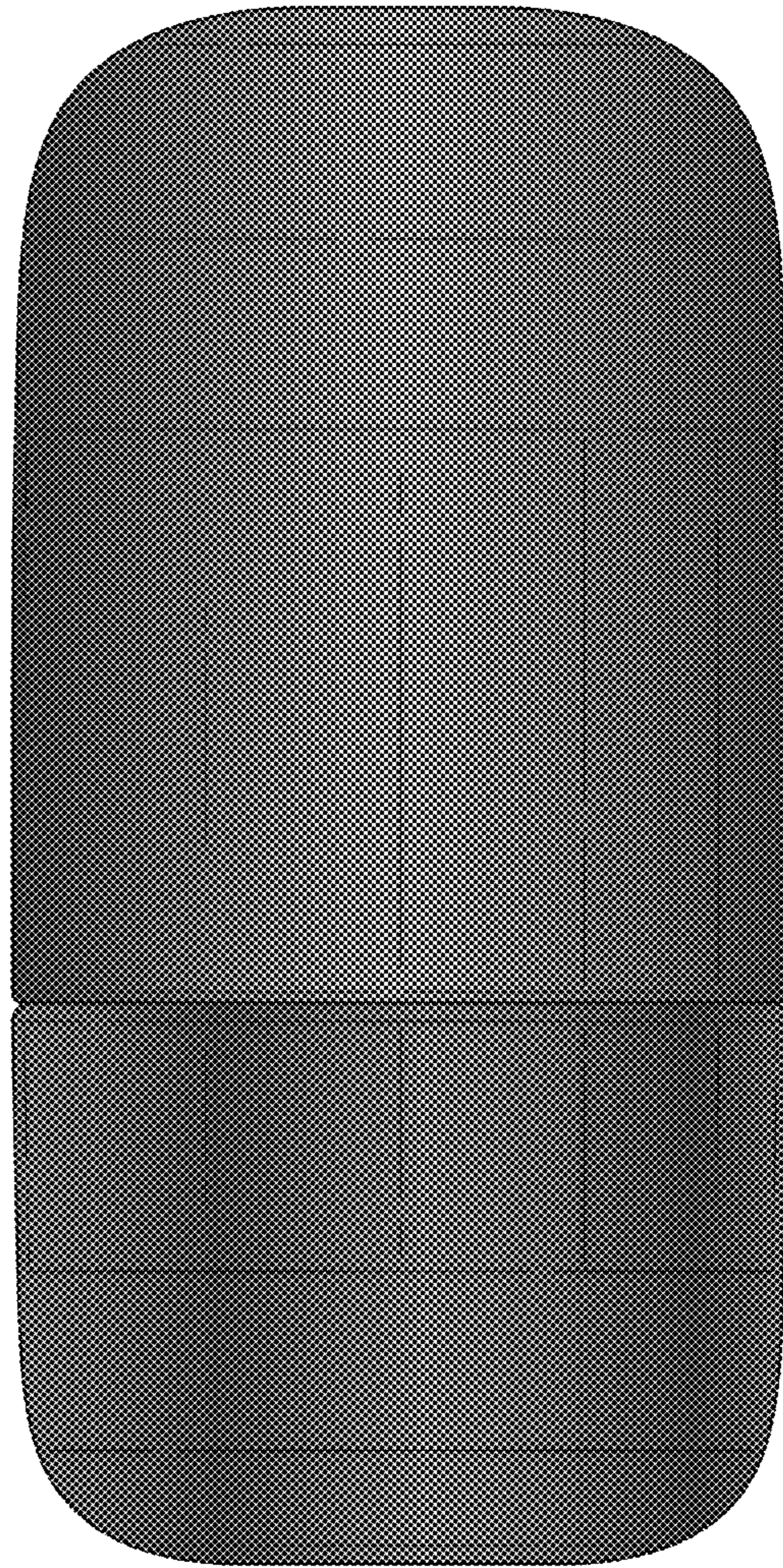


Fig. 26

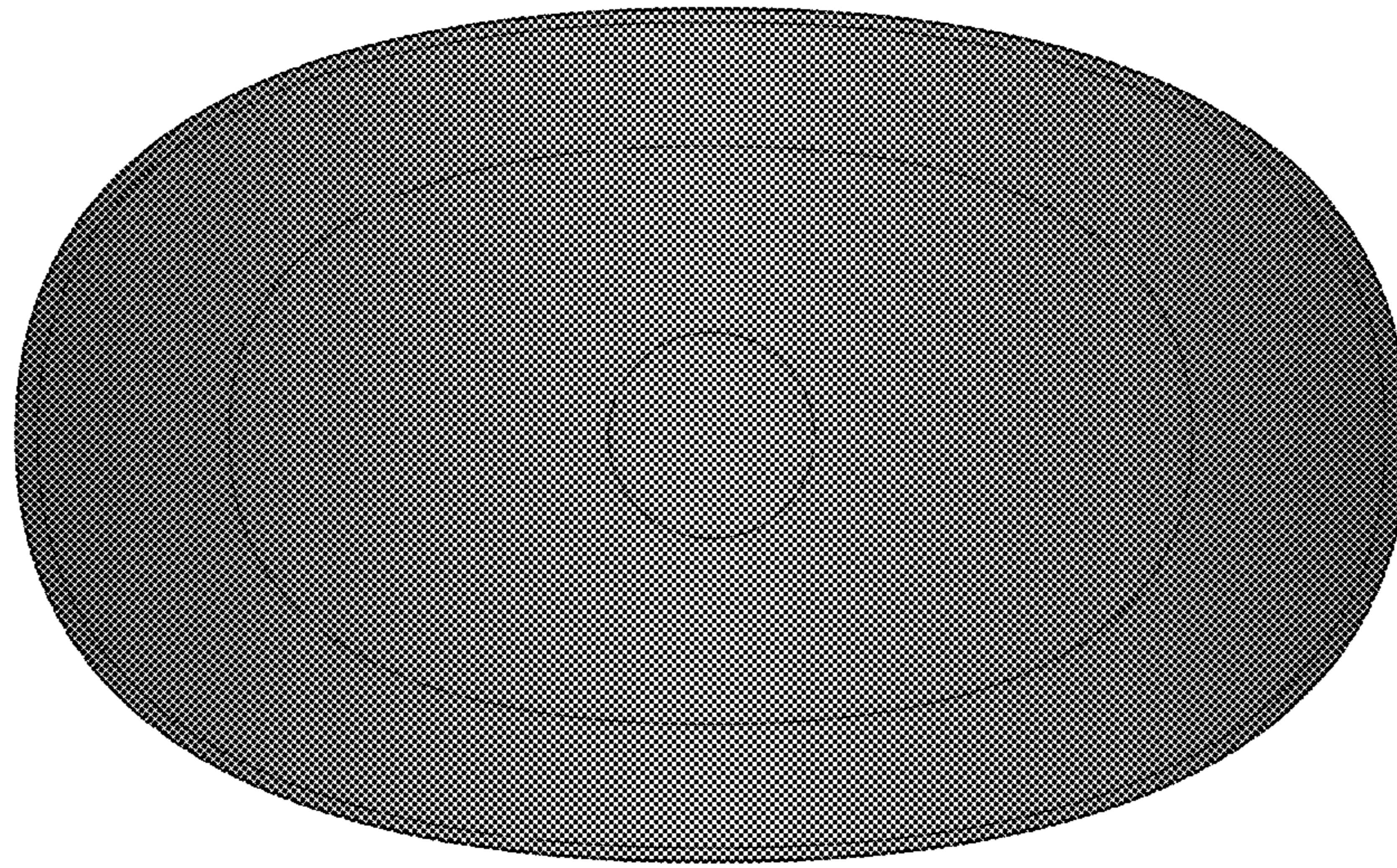


Fig. 27

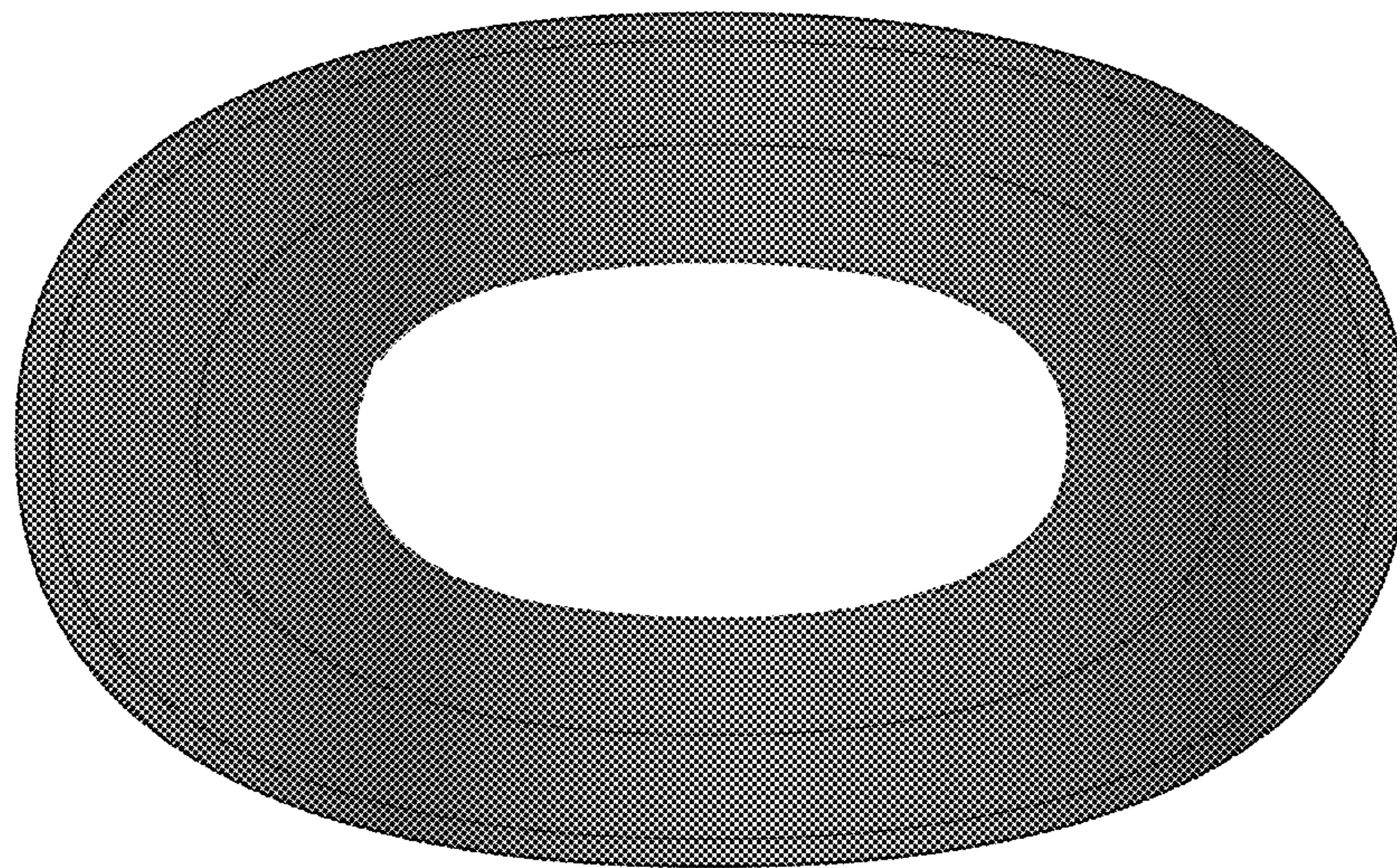


Fig. 28