

US00D934075S

(12) **United States Design Patent** (10) **Patent No.:** **US D934,075 S**
Oh (45) **Date of Patent:** **** Oct. 26, 2021**

(54) **CIRCULAR LID WITH EXTENDING FLANGE**

(71) Applicant: **DivergentIP, LLC**, Beverly Hills, CA (US)

(72) Inventor: **Sung Oh**, West Covina, CA (US)

(73) Assignee: **DivergentIP, LLC**, Beverly Hills, CA (US)

(**) Term: **15 Years**

(21) Appl. No.: **29/711,652**

(22) Filed: **Nov. 1, 2019**

(51) **LOC (13) Cl.** **09-07**

(52) **U.S. Cl.**
USPC **D9/454**

(58) **Field of Classification Search**
USPC D7/509, 510, 511, 624.1, 387, 391, 392, D7/392.1, 393, 396.1, 396.2, 400; D9/434, 435, 439, 445, 447, 451, 454, D9/438, 440, 443, 452, 453; D23/259, D23/260, 261, 209, 210; D24/162, 127; D12/202, 604-607; D28/76, 85, 91.1
CPC B65D 43/09; B65D 43/16; B65D 25/04; B65D 1/24; B65D 2543/00046; B65D 2543/00092; B65D 43/0212; B65D 43/0208; B65D 51/1694; B65D 23/00; B65D 47/00; B65D 47/06; B65D 47/08; B65D 41/00; B65D 41/38; B65D 41/56; B65D 41/62; B65D 2585/56; B65D 2585/545; B65D 1/00; B65D 1/02; B65D 1/10; B65D 1/46; A61J 1/00; A61J 1/1412; A61J 1/02

See application file for complete search history.

(56) **References Cited**

U.S. PATENT DOCUMENTS

2,998,158 A * 8/1961 Tupper B65D 43/0274
220/276
D286,026 S * 10/1986 Rayner D9/435

D327,808 S * 7/1992 Kline D7/391
D344,209 S * 2/1994 Cousins D7/391
D394,189 S * 5/1998 Reynaert D7/523
5,840,189 A * 11/1998 Sylvan B65D 85/8043
210/474
6,645,537 B2 * 11/2003 Sweeney B65D 85/8043
206/222
D502,362 S * 3/2005 Lazaris D7/400
D532,293 S * 11/2006 Martin D9/503
D606,363 S * 12/2009 Aardenburg D7/400
D689,701 S * 9/2013 Mischel, Jr. D6/309
D694,620 S * 12/2013 Hansen D9/429
D698,649 S * 2/2014 Quint D9/500

(Continued)

OTHER PUBLICATIONS

Bruvi Brewer_Announced Apr. 14, 2020 [online]. Site Visited [Dec. 28, 2020], Available from Internet URL: <https://www.youtube.com/watch?v=ktvo7pPhcR0>.*

(Continued)

Primary Examiner — Catherine S Posthauer
(74) *Attorney, Agent, or Firm* — Blue Capital Law Firm, P.C.

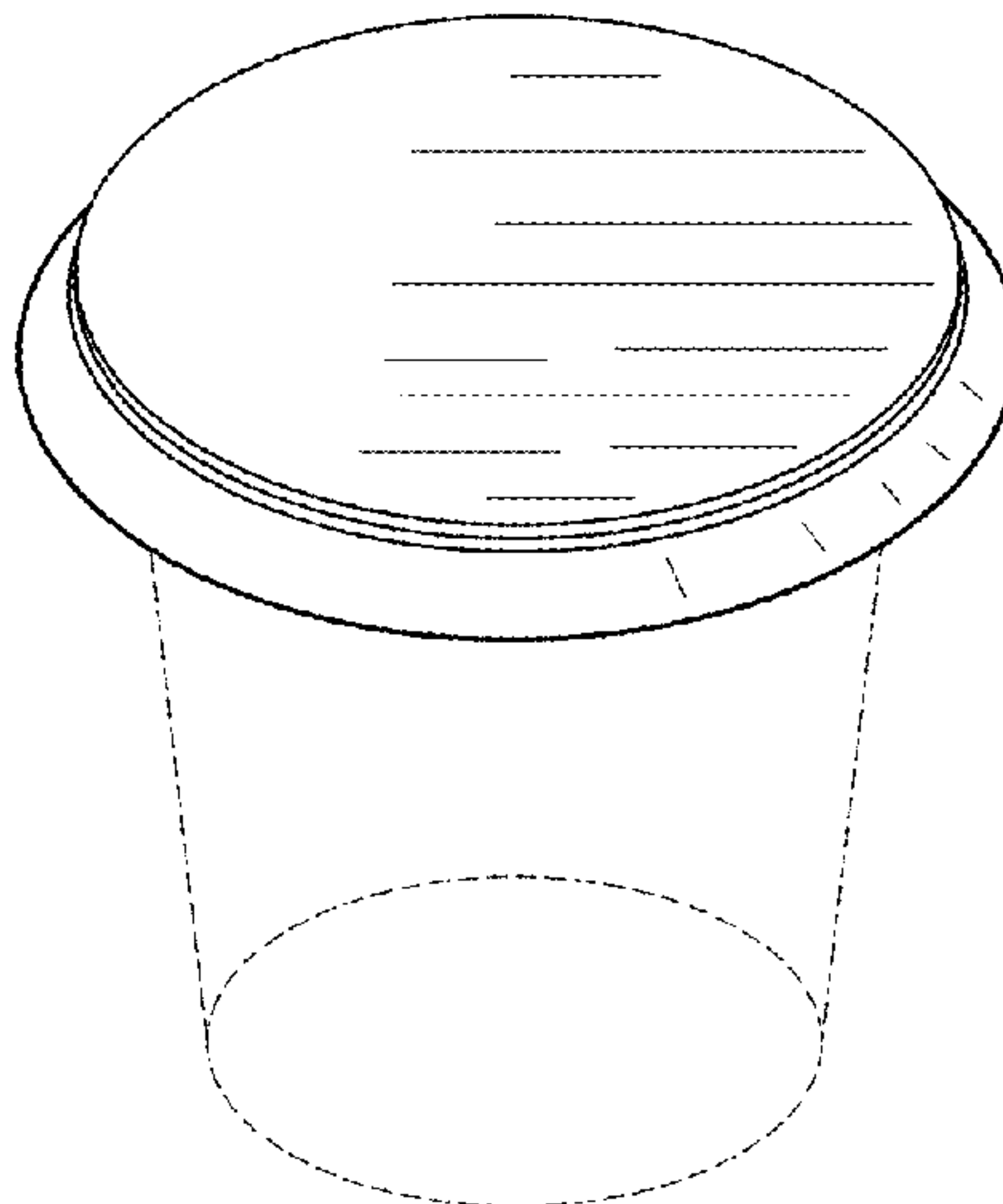
(57) **CLAIM**

The ornamental design for a circular lid with extending flange, as shown and described.

DESCRIPTION

FIG. 1 is a perspective view of a circular lid with extending flange;
FIG. 2 is a side view with the opposite view being a mirror image thereof;
FIG. 3 is a top view thereof; and,
FIG. 4 is a bottom view thereof.
The broken lines are for environmental purposes only and form no part of the claimed design.

1 Claim, 1 Drawing Sheet



(56)

References Cited

U.S. PATENT DOCUMENTS

D703,039 S * 4/2014 Hansen D9/429
9,003,958 B2 * 4/2015 Scrivani B65B 7/2842
99/295
D731,239 S * 6/2015 Rothfield D7/392.1
D746,626 S * 1/2016 Lagsdin D7/354
D749,411 S * 2/2016 Corsetti D9/503
D753,954 S * 4/2016 Schreiber D7/400
9,326,635 B2 * 5/2016 Koestring A47J 31/0626
D760,584 S * 7/2016 Katz D9/416
D764,270 S * 8/2016 Paton D9/416
D767,329 S * 9/2016 Mock D7/392.1
D797,503 S * 9/2017 Robotti D7/400
D798,718 S * 10/2017 Foster D9/500
D816,500 S * 5/2018 Torrison D9/454
D839,091 S * 1/2019 Torrison D9/416
D845,705 S * 4/2019 Simonazzi D7/400
10,336,498 B2 * 7/2019 Foster B65D 21/0209

D874,264 S * 2/2020 Maurizio D9/429
D880,224 S * 4/2020 Wiggins D7/392
D880,289 S * 4/2020 Valsecchi D9/416
D889,907 S * 7/2020 Braukmann D7/400
D899,107 S * 10/2020 Luo D6/309
D899,244 S * 10/2020 Lee D9/428
2009/0205504 A1 * 8/2009 Navarro Alcantara
B65D 85/8043
99/295
2015/0108011 A1 * 4/2015 Bartoli A47J 31/407
206/0.5

OTHER PUBLICATIONS

Bruvi Variety Pack Coffee Pods: Site Visited [Dec. 28, 2020, online]. Available from Internet URL: <https://bruvi.com/products/variety-pack>.*

* cited by examiner

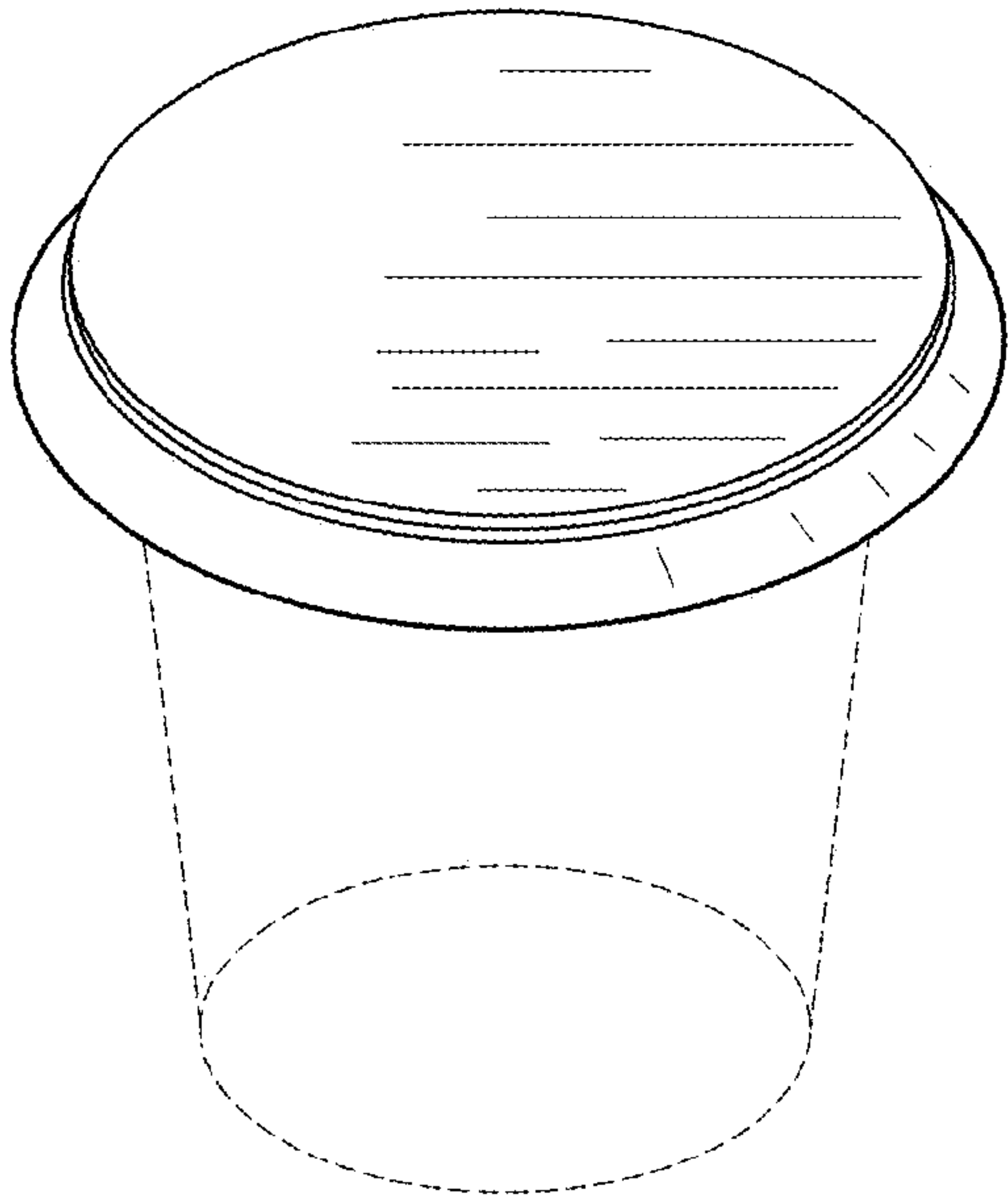


FIG. 1

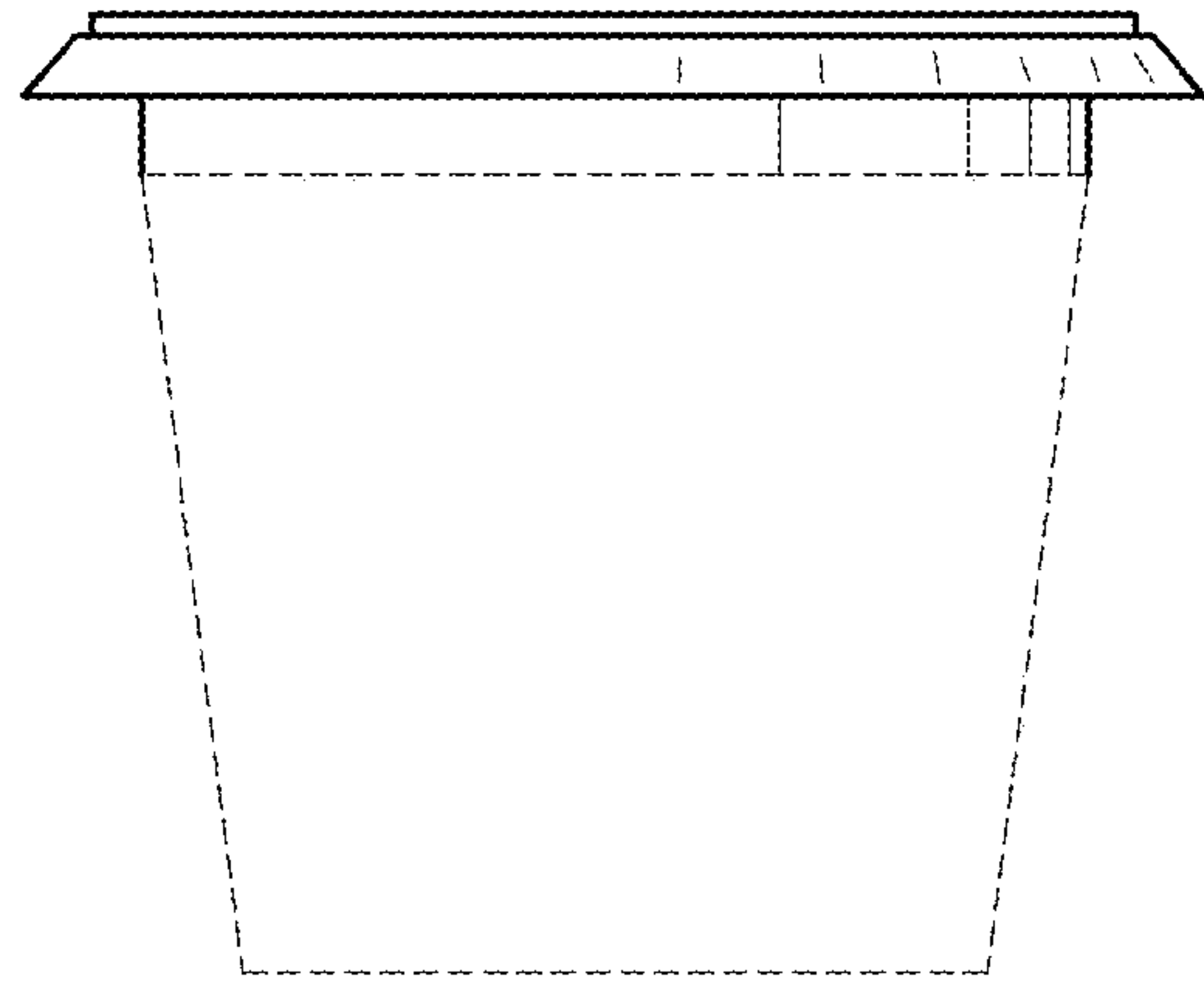


FIG. 2

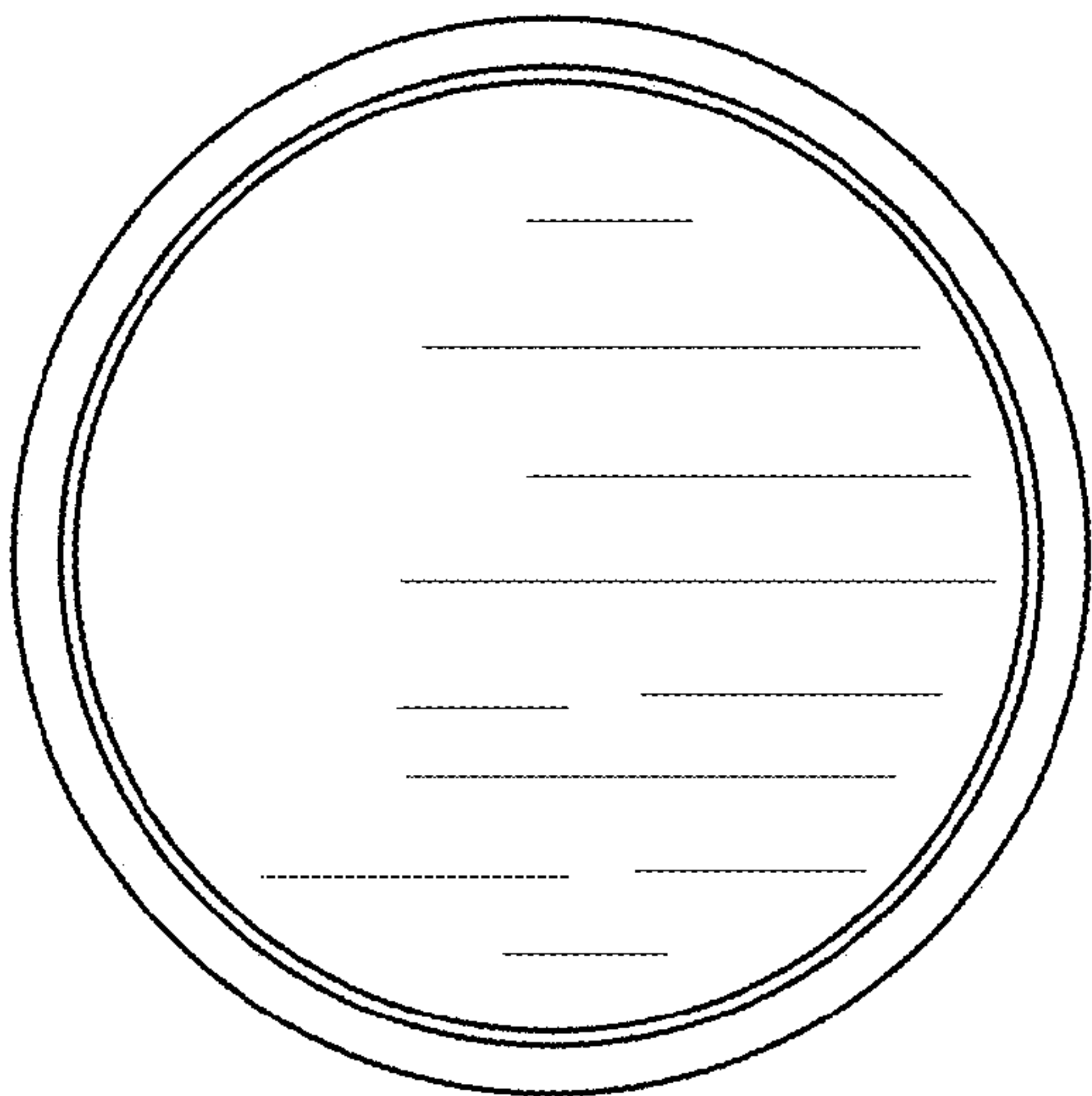


FIG. 3

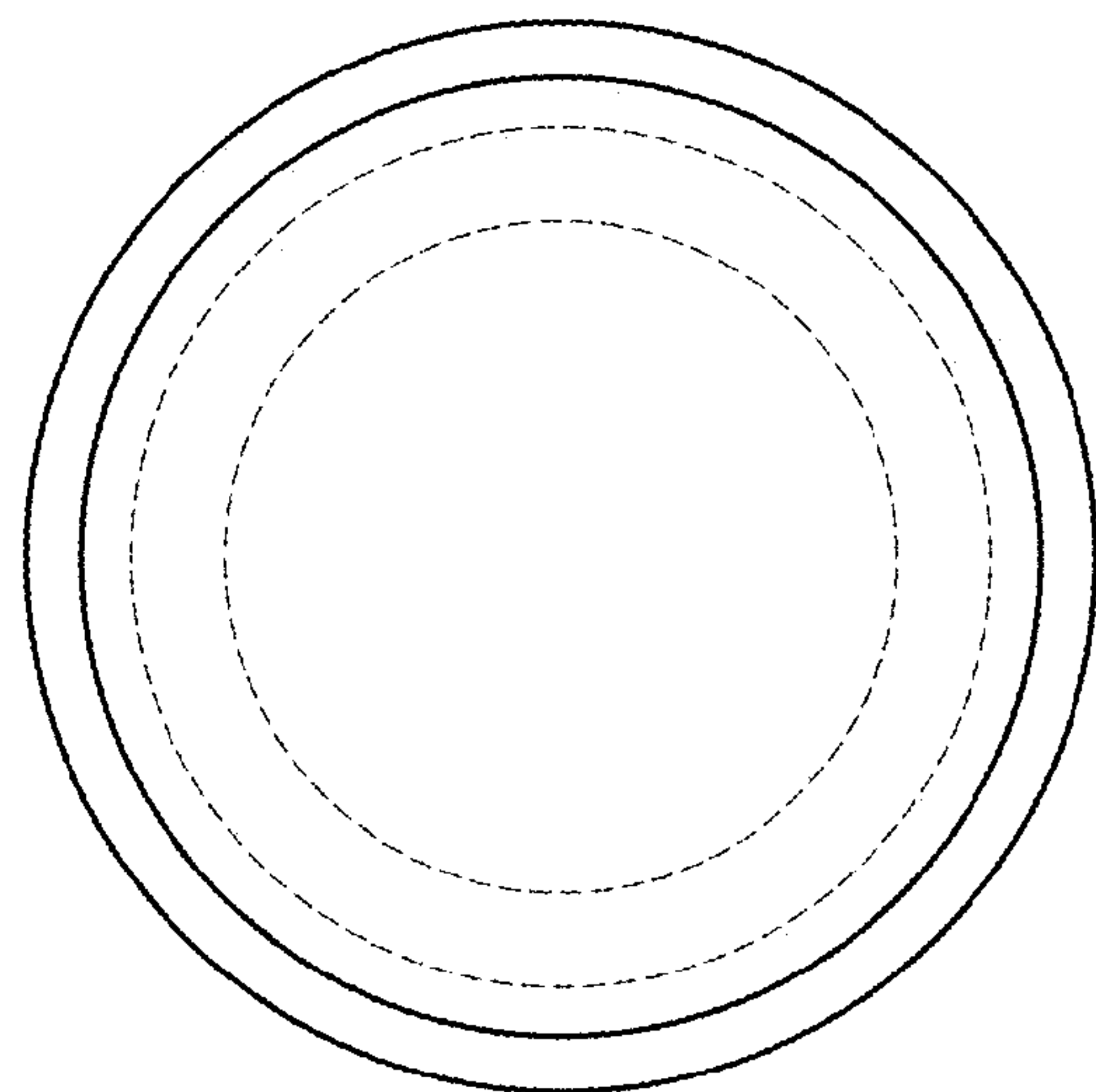


FIG. 4