



US00D934074S

(12) **United States Design Patent** (10) **Patent No.:** **US D934,074 S**
Kim (45) **Date of Patent:** **** Oct. 26, 2021**

(54) **CLOSURE**
(71) Applicant: **Silgan White Cap LLC**, Downers Grove, IL (US)
(72) Inventor: **Sungsuk Steve Kim**, Batavia, IL (US)
(73) Assignee: **Silgan White Cap LLC**, Downers Grove, IL (US)
(**) Term: **15 Years**
(21) Appl. No.: **29/715,470**
(22) Filed: **Dec. 2, 2019**

Related U.S. Application Data

(60) Division of application No. 29/583,146, filed on Nov. 2, 2016, now Pat. No. Des. 871,905, which is a continuation of application No. 14/709,198, filed on May 11, 2015, now abandoned.
(51) **LOC (13) Cl.** **09-07**
(52) **U.S. Cl.**
USPC **D9/453**
(58) **Field of Classification Search**
USPC D3/202, 203.1, 203.2, 272, 273, 294, D3/318; D7/300, 300.1, 316, 317, 387, D7/391, 392.1, 393, 396, 396.1, 396.2, D7/401.1, 509, 510, 511, 523, 525-531, D7/538, 541, 549, 629, 703, 900, 323, D7/354, 359, 503, 550.1, 552.1, 553.1, D7/553.2, 554, 566, 568, 589, 600.1, 602, D7/614, 704; D8/349, 350, 352, 382; D9/414, 424, 427, 430, 432, 433, 434, D9/435, 436, 438, 439, 440, 443, 446, D9/447, 448, 449, 450, 452, 453, 454, D9/456, 499, 502, 503, 504, 516, 517, D9/529, 686, 688, 690, 708, 709, 723, D9/724, 763, 772; D23/206, 249, 259, D23/260; D24/121, 127, 299, 224; D28/7, 76, 78, 82, 85, 91

CPC B65D 41/34; B65D 53/02; B65D 50/041; B65D 23/00; B65D 1/00; B65D 1/02; B65D 1/0223; B65D 2501/00; B65D 2501/0009; B65D 83/06
See application file for complete search history.

(56) **References Cited**
U.S. PATENT DOCUMENTS

2,001,248 A	5/1935	Greene
4,346,812 A	8/1982	Banich, Sr.
4,981,230 A	1/1991	Marshall et al.
D315,507 S	3/1991	Ochs
D318,804 S	8/1991	Ochs
5,197,620 A	3/1993	Gregory
5,388,731 A	2/1995	Mengeu et al.
5,542,556 A	8/1996	Ohmi et al.
5,810,184 A	9/1998	Adams et al.
5,858,141 A	1/1999	Repp et al.
5,913,437 A	6/1999	Ma
5,915,574 A	6/1999	Adams et al.
5,957,312 A	9/1999	Adams et al.

(Continued)

Primary Examiner — Catherine S Posthauer
(74) *Attorney, Agent, or Firm* — Reinhart Boerner Van Deuren s.c.

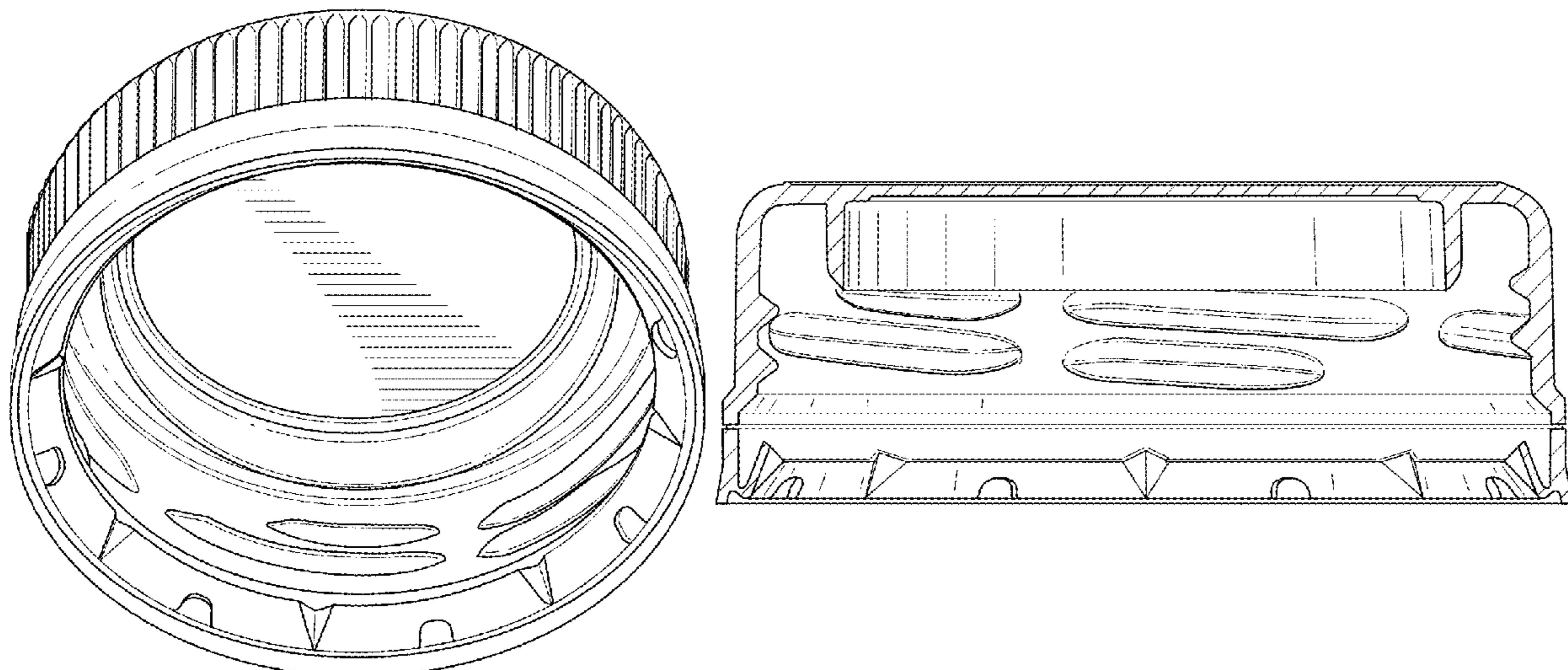
(57) **CLAIM**

I claim the ornamental design for a closure, as shown and described.

DESCRIPTION

FIG. 1 is a top perspective view of a closure, showing my new design;
FIG. 2 is a bottom perspective view thereof;
FIG. 3 is a bottom plan view thereof; and,
FIG. 4 is a cross-sectional view thereof, taken in the direction of line 4-4 on FIG. 3.
The ornamental design which is claimed is shown in solid lines in the drawings.

1 Claim, 2 Drawing Sheets



(56)

References Cited

U.S. PATENT DOCUMENTS

6,062,441 A 5/2000 Mengeu et al.
 D427,068 S 6/2000 Hierzer et al.
 6,112,923 A 9/2000 Ma
 6,394,293 B1 5/2002 Hierzer et al.
 D460,357 S 7/2002 Kras et al.
 D465,731 S 11/2002 Brant et al.
 6,484,896 B2 11/2002 Ma
 6,497,337 B1 12/2002 Kehe
 6,581,793 B1 6/2003 Racine et al.
 6,659,297 B2 12/2003 Gregory et al.
 6,677,397 B1 1/2004 Baranowski et al.
 6,766,916 B2 7/2004 Ma
 6,964,346 B1 11/2005 Taber et al.
 6,981,602 B2 1/2006 Ma et al.
 D518,717 S 4/2006 German
 D519,030 S 4/2006 Matsuda et al.
 D534,802 S 1/2007 German
 7,306,108 B2 12/2007 Cleevly
 7,367,465 B2 5/2008 Taber et al.
 D574,240 S 8/2008 Szczesniak
 D578,889 S 10/2008 Sadiq
 D582,275 S * 12/2008 Reed D9/453
 D584,149 S 1/2009 Lohrman et al.
 D606,864 S 12/2009 Robinson
 D613,162 S 4/2010 Druitt
 D632,958 S 2/2011 Fuchs
 D633,386 S 3/2011 Taber et al.
 D634,199 S 3/2011 Taber et al.
 D634,200 S 3/2011 Taber et al.
 8,251,236 B1 * 8/2012 Robinson B65D 51/18
 215/350
 D681,465 S 5/2013 Cox et al.
 D687,299 S 8/2013 Peykoff et al.
 D693,684 S 11/2013 Ramsey et al.
 D693,685 S 11/2013 Ramsey et al.
 8,672,158 B2 3/2014 Taber et al.
 8,695,821 B2 * 4/2014 Bashyam B65D 41/0485
 215/252
 D718,127 S 11/2014 Moriyama et al.
 D723,919 S 3/2015 Taber et al.

D727,152 S 4/2015 Yaseen
 D762,115 S 7/2016 Corvaglia et al.
 D792,219 S 7/2017 Bueno Nunez
 9,902,530 B2 * 2/2018 Smith B65D 41/34
 10,407,220 B2 * 9/2019 Neputy B65D 41/0421
 D869,274 S * 12/2019 Kim D9/453
 D885,900 S * 6/2020 Edie D9/452
 D885,904 S * 6/2020 Kim D9/453
 2001/0027957 A1 10/2001 Kano
 2002/0033374 A1 * 3/2002 Ma B65D 41/3428
 215/252
 2002/0158037 A1 10/2002 Kano et al.
 2003/0098287 A1 * 5/2003 Taber B29C 45/14
 215/352
 2003/0132244 A1 7/2003 Birkmayer et al.
 2006/0255002 A1 11/2006 Takamatsu et al.
 2007/0075083 A1 4/2007 McClellan
 2007/0187352 A1 * 8/2007 Kras B65D 51/18
 215/276
 2008/0067142 A1 3/2008 Druitt
 2008/0073313 A1 * 3/2008 Brant B65D 41/04
 215/329
 2008/0087625 A1 4/2008 Kumata et al.
 2008/0149586 A1 6/2008 Loughrin et al.
 2008/0173611 A1 7/2008 Neputy et al.
 2011/0290754 A1 12/2011 Taber et al.
 2011/0290755 A1 12/2011 Taber et al.
 2012/0031871 A1 * 2/2012 Molinaro B65D 1/0246
 215/44
 2012/0261420 A1 10/2012 Taber et al.
 2013/0205718 A1 8/2013 Kapolas
 2013/0313218 A1 11/2013 Cox et al.
 2014/0001182 A1 1/2014 Wood et al.
 2014/0158660 A1 6/2014 Wood et al.
 2014/0263335 A1 9/2014 Taber et al.
 2015/0102033 A1 4/2015 Banovic
 2015/0122769 A1 5/2015 Taber et al.
 2015/0266631 A1 9/2015 Wohlgenannt
 2016/0122066 A1 5/2016 DiBiasio
 2016/0332783 A1 11/2016 Kim
 2017/0174398 A1 6/2017 Cox

* cited by examiner

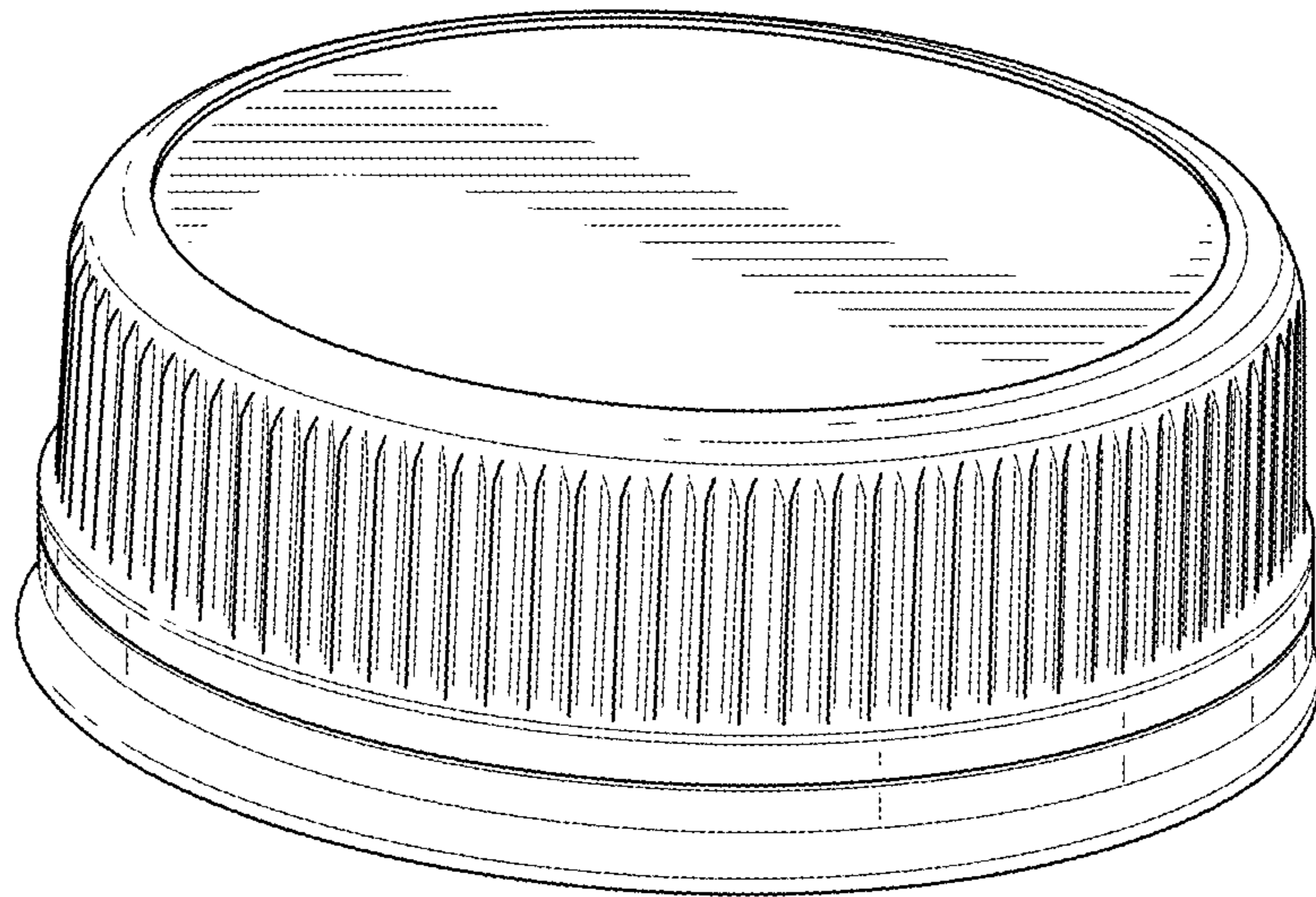


FIG. 1

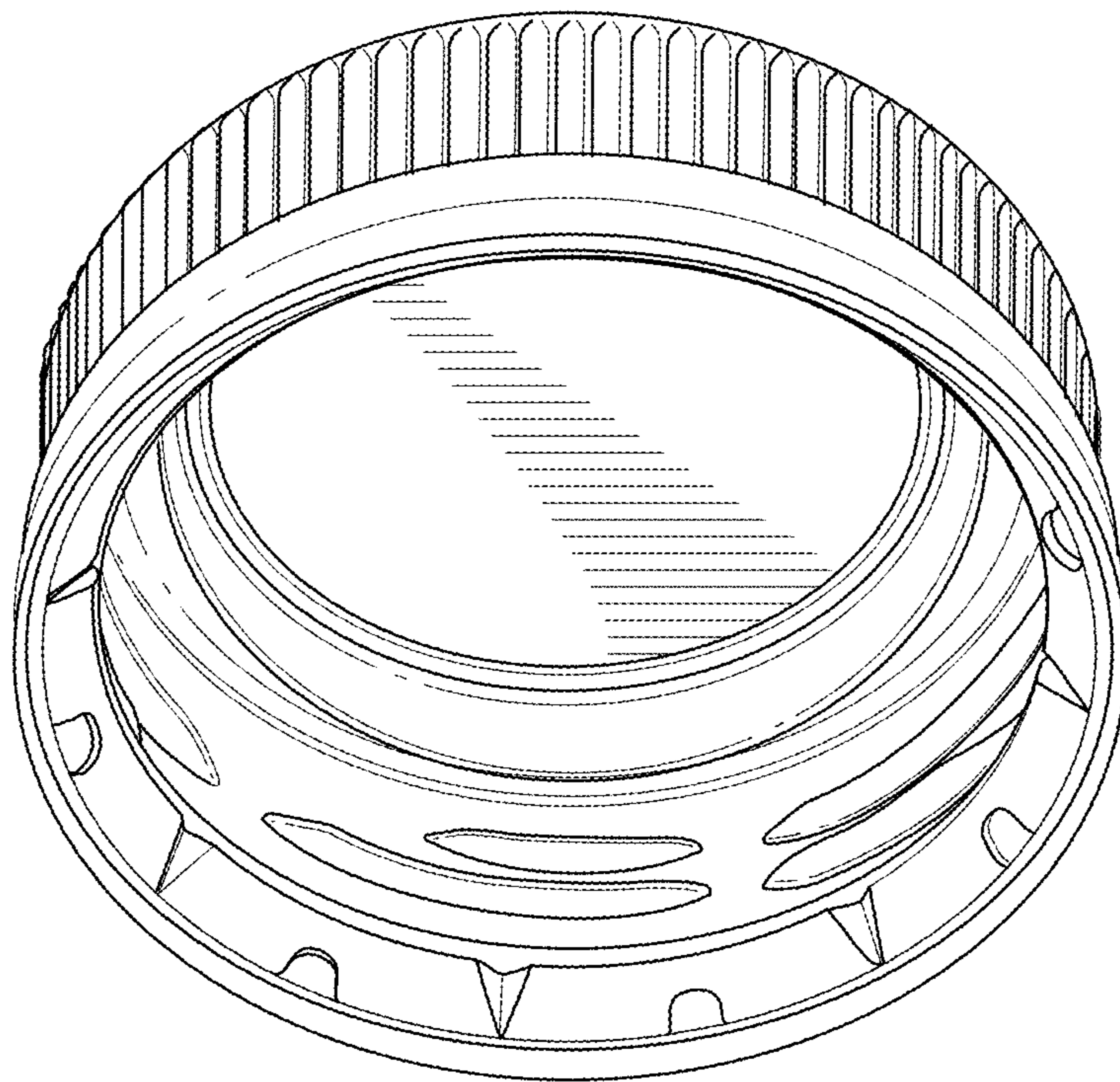


FIG. 2

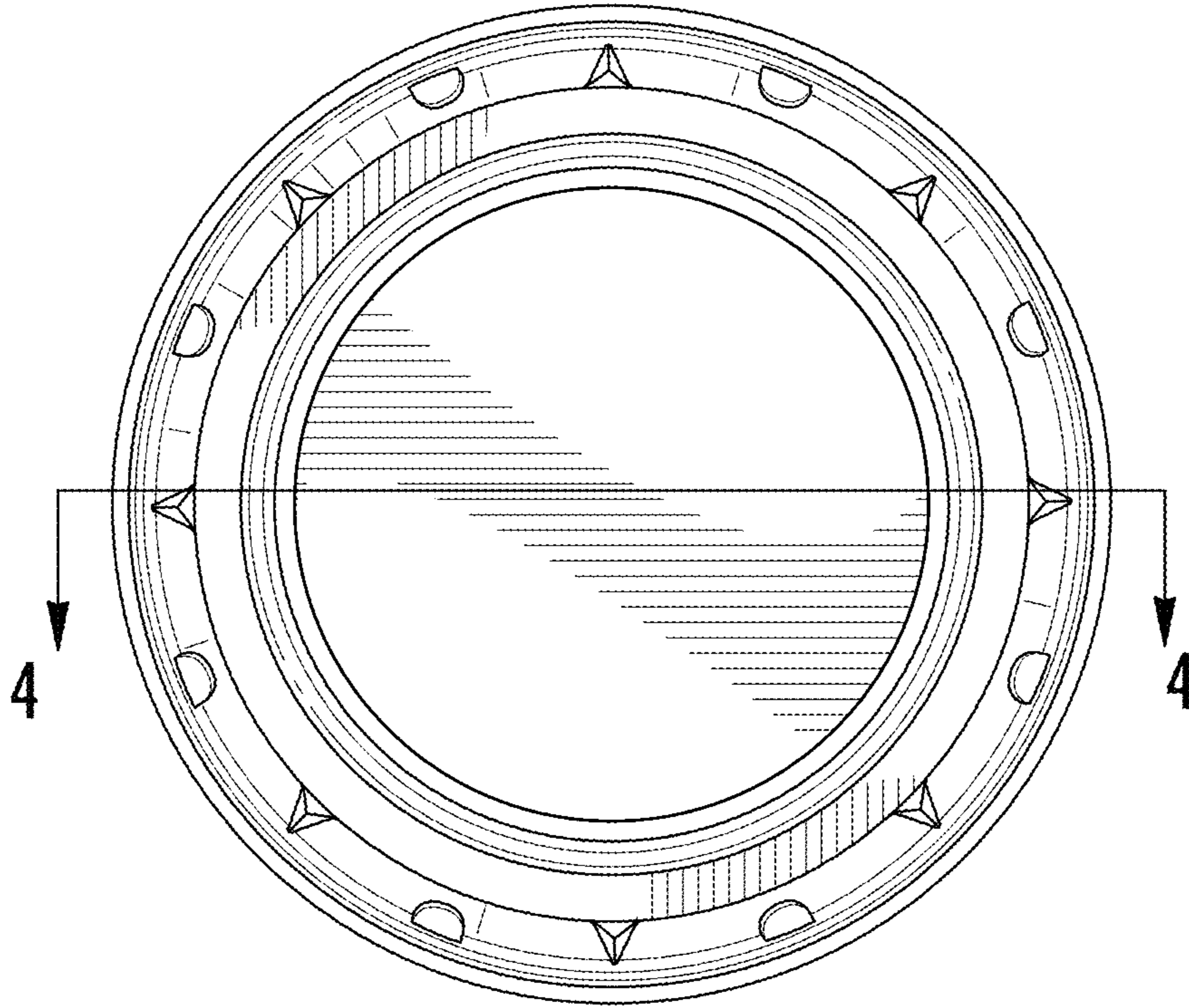


FIG. 3

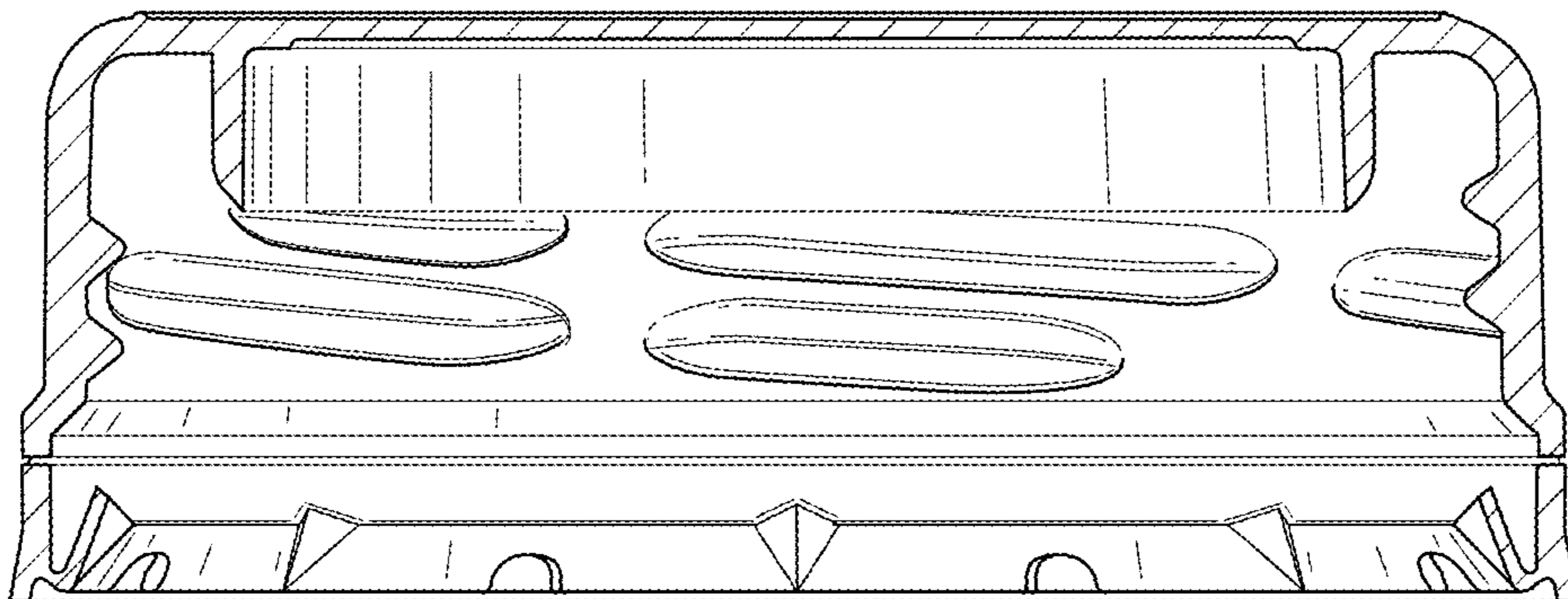


FIG. 4