



US00D934073S

(12) **United States Design Patent**  
**Tempfli**

(10) **Patent No.:** **US D934,073 S**

(45) **Date of Patent:** **\*\* Oct. 26, 2021**

(54) **SPRAY HEAD**

(71) Applicant: **Aptar Radolfzell GmbH**, Radolfzell  
(DE)

(72) Inventor: **Karl Tempfli**, Gottmadingen (DE)

(73) Assignee: **Aptar Radolfzell GmbH**, Radolfzell  
(DE)

(\*\*) Term: **15 Years**

(21) Appl. No.: **29/785,607**

(22) Filed: **May 26, 2021**

2585/545; A61J 1/00; A61J 1/1412;  
A61M 11/02; A61M 11/006; A61N  
5/0603; A47K 5/1205; A47K 5/1217;  
A47K 5/14

See application file for complete search history.

(56) **References Cited**

U.S. PATENT DOCUMENTS

D142,980 S \* 11/1945 Bery ..... D24/196  
D165,577 S \* 1/1952 Fuld ..... D9/447  
D178,221 S 7/1959 Collins  
D193,956 S 10/1962 Yonkers  
3,149,758 A 9/1964 Bush et al.

(Continued)

FOREIGN PATENT DOCUMENTS

CA 57522 \* 11/1986  
CA 109629 \* 12/2004

(Continued)

*Primary Examiner* — Catherine S Posthauer

(74) *Attorney, Agent, or Firm* — Flynn Thiel, P.C.

(57) **CLAIM**

The ornamental design for a spray head, as shown and described.

**DESCRIPTION**

FIG. 1 is a perspective view of a spray head showing my new design;

FIG. 2 is a front view thereof;

FIG. 3 is a right side view thereof;

FIG. 4 is a rear view thereof;

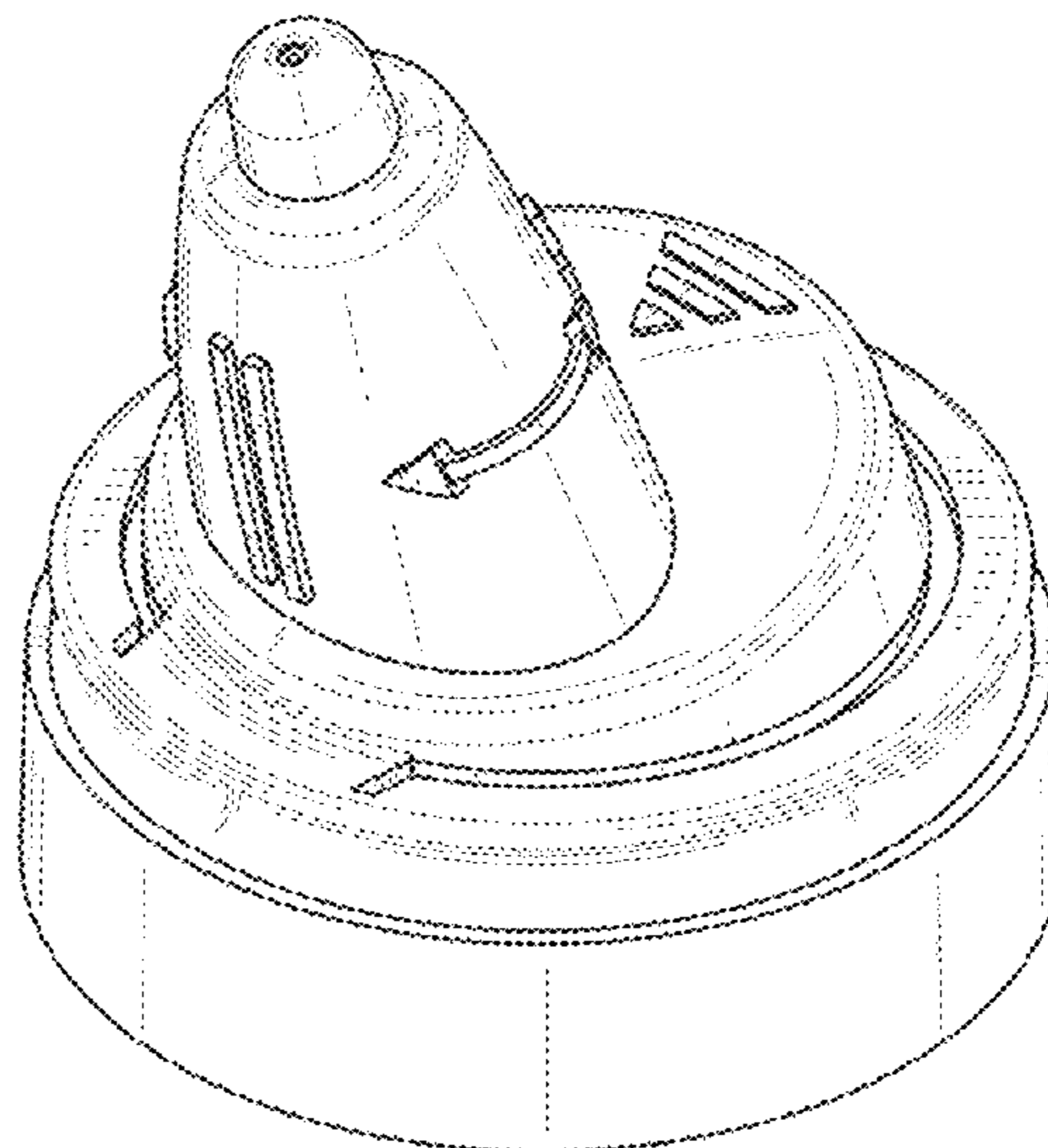
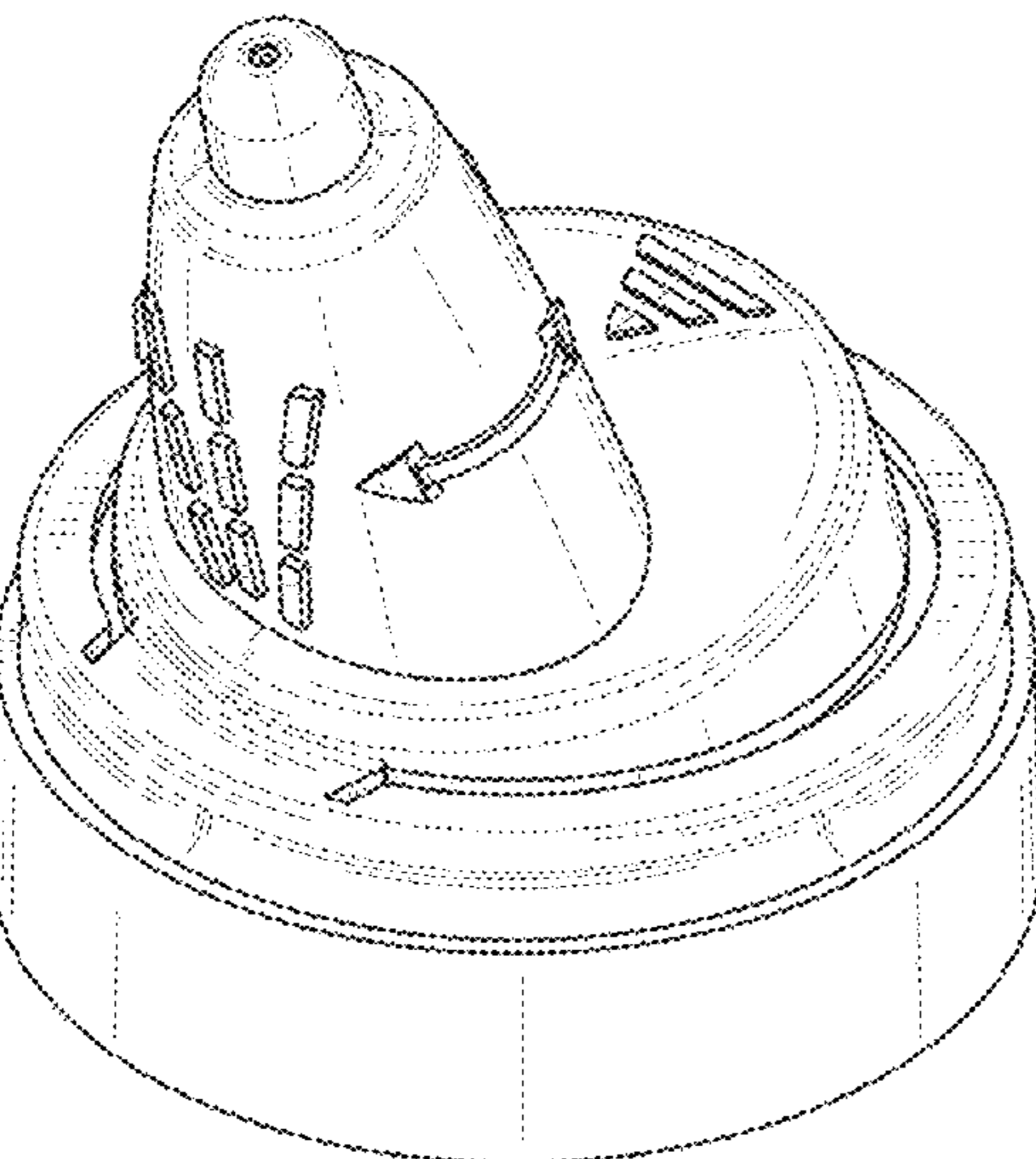
FIG. 5 is a left side view thereof;

FIG. 6 is a top view thereof; and,

FIG. 7 is a perspective view thereof wherein the nozzle has been rotated 180°.

The bottom view of the spray head is not visible during ordinary use and forms no part of the claimed design.

**1 Claim, 7 Drawing Sheets**



(56)

References Cited

U.S. PATENT DOCUMENTS

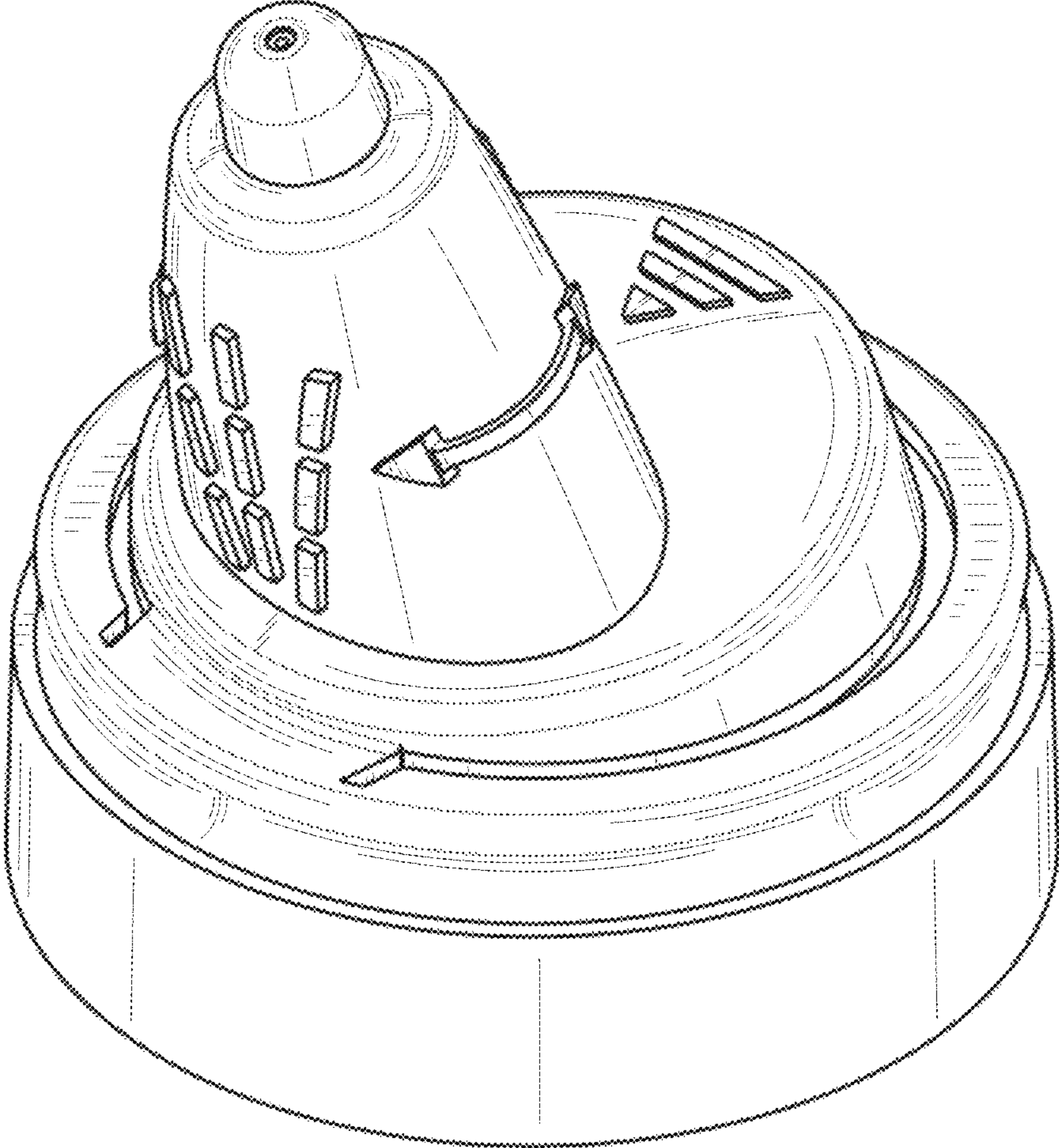
3,159,314 A 12/1964 De Lucca  
 D206,411 S \* 12/1966 Marona ..... D9/447  
 3,430,826 A \* 3/1969 Microulis ..... B65D 47/06  
 222/570  
 D217,133 S \* 4/1970 O'Neill ..... D9/447  
 D217,330 S \* 4/1970 Conry ..... D9/440  
 D234,123 S 1/1975 Ragagli  
 D302,388 S \* 7/1989 Huff ..... D9/447  
 D333,787 S 3/1993 Hirst et al.  
 D364,811 S 12/1995 Zimmerhackel et al.  
 D370,847 S 6/1996 Lamb  
 5,647,516 A 7/1997 Young et al.  
 D382,059 S 8/1997 Maya et al.  
 D398,233 S 9/1998 Wood  
 D398,813 S 9/1998 Franzese  
 D402,890 S \* 12/1998 Guillemot ..... D9/448  
 D423,357 S 4/2000 Chrisco et al.  
 D437,385 S 2/2001 Chao  
 D478,284 S \* 8/2003 Pannozzo ..... D9/448  
 D481,632 S 11/2003 Masotta et al.  
 D505,073 S \* 5/2005 Flurer ..... D9/448  
 D509,136 S 9/2005 Walters et al.  
 D513,995 S \* 1/2006 Miwa ..... D9/682  
 D520,807 S 5/2006 Morgan  
 D523,749 S 6/2006 Kolanus et al.  
 D524,648 S 7/2006 Feist et al.  
 7,104,469 B2 9/2006 Merk et al.  
 D543,118 S 5/2007 Poisson et al.  
 D551,075 S 9/2007 Puller  
 D567,654 S 4/2008 Geiberger  
 D584,151 S 1/2009 Murphy  
 D587,571 S \* 3/2009 Gonzales, Jr. .... D9/440  
 D599,902 S 9/2009 Lilienthal et al.  
 D601,894 S 10/2009 Cho et al.  
 D607,992 S 1/2010 Lilienthal et al.  
 D636,843 S 4/2011 Nolte et al.

D658,442 S \* 5/2012 Mongeon ..... D7/505  
 D659,531 S 5/2012 Engel  
 D684,053 S 6/2013 Wisniewski et al.  
 D684,054 S \* 6/2013 Son ..... D9/448  
 D712,741 S 9/2014 Vukelic  
 D736,906 S \* 8/2015 Schultz ..... D24/108  
 D737,951 S 9/2015 Lindsay et al.  
 D755,630 S \* 5/2016 Marraccini ..... D9/447  
 D757,544 S 5/2016 Barenhoff et al.  
 D761,951 S 7/2016 Djupesland  
 9,533,870 B2 \* 1/2017 Zapp ..... B67D 3/041  
 D821,567 S \* 6/2018 Feldman ..... D24/108  
 D824,762 S 8/2018 Huang  
 D847,981 S 5/2019 Calvert et al.  
 D888,197 S 6/2020 McDonnell  
 D896,645 S 9/2020 Borel  
 D897,203 S \* 9/2020 Furner ..... D9/448  
 D897,843 S \* 10/2020 Lee ..... D9/448  
 D898,571 S \* 10/2020 Lee ..... D9/448  
 D913,789 S \* 3/2021 Ramsuer ..... D9/448  
 2004/0262916 A1 \* 12/2004 Byron ..... B65D 51/1644  
 285/276  
 2009/0178997 A1 7/2009 Clark  
 2013/0056502 A1 3/2013 Zapp  
 2015/0014368 A1 1/2015 Greiner-Perth et al.  
 2016/0023804 A1 1/2016 Tuyls et al.  
 2016/0376069 A1 12/2016 Jung  
 2017/0015475 A1 1/2017 Dejonge  
 2017/0266396 A1 9/2017 Feldman et al.  
 2018/0014997 A1 1/2018 Eichelkraut et al.  
 2019/0111448 A1 4/2019 Greiner-Perth et al.  
 2020/0270030 A1 8/2020 Kim et al.

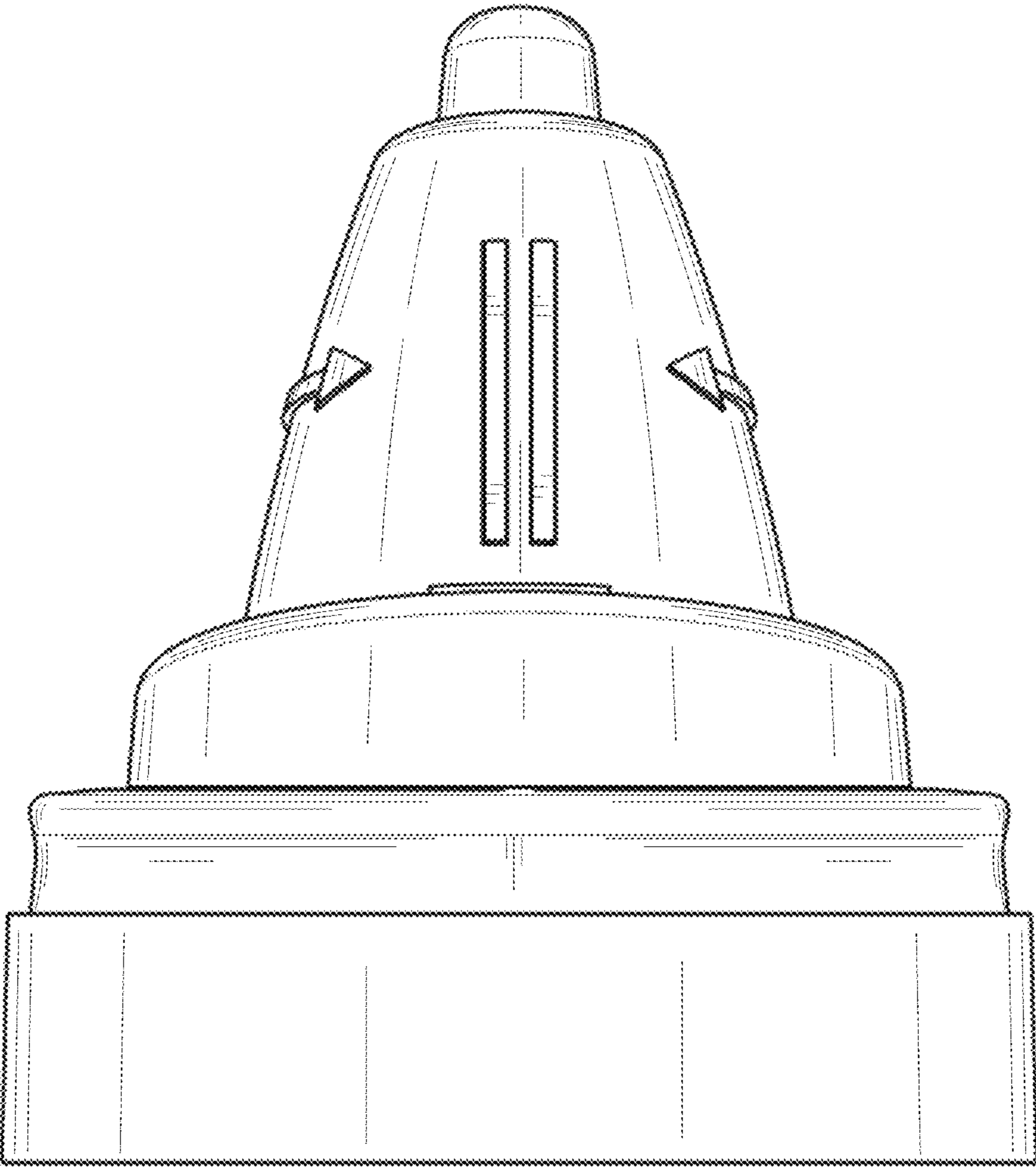
FOREIGN PATENT DOCUMENTS

EM 000092689-0001 \* 2/2004  
 EP 3412325 A1 12/2018

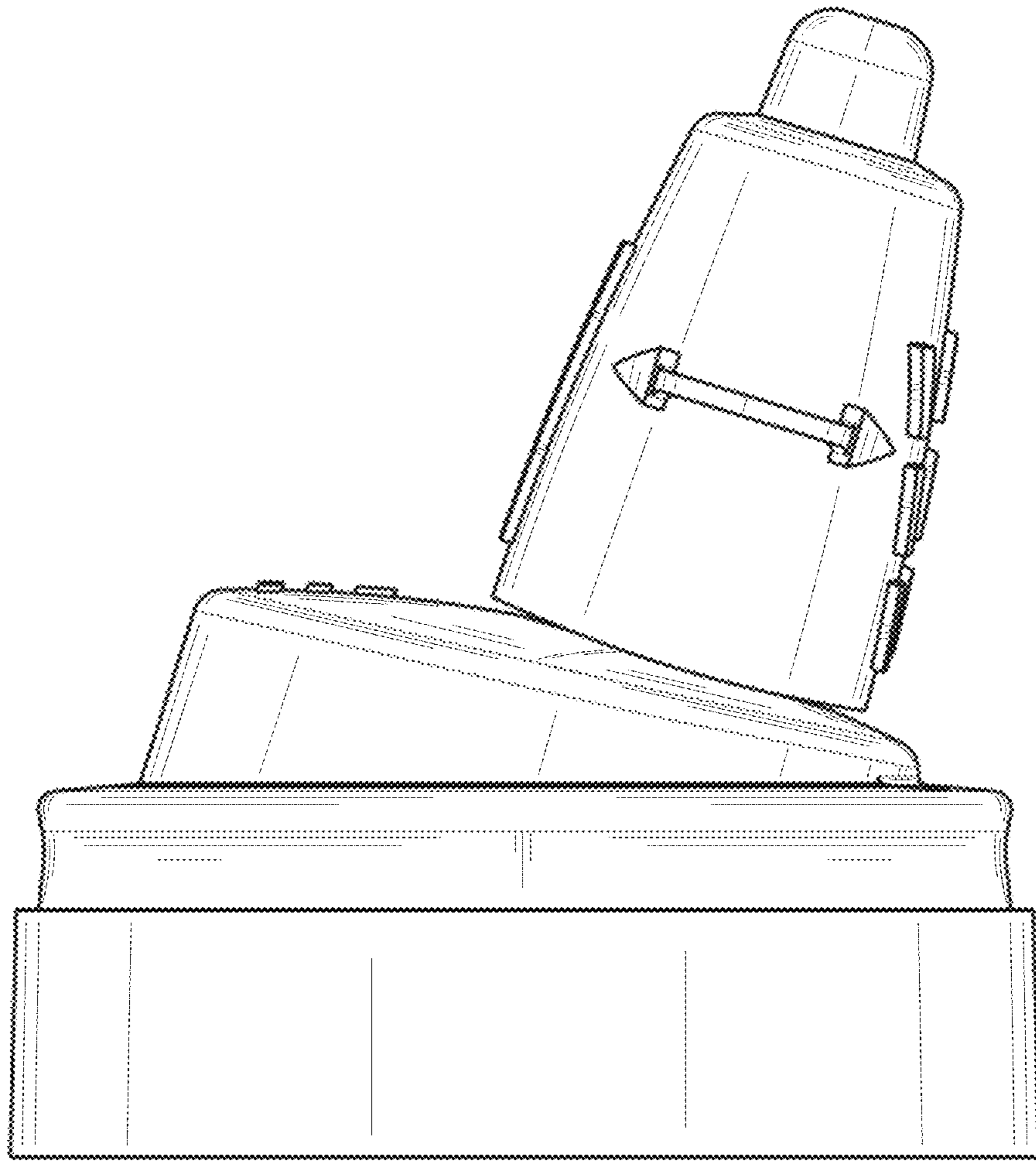
\* cited by examiner



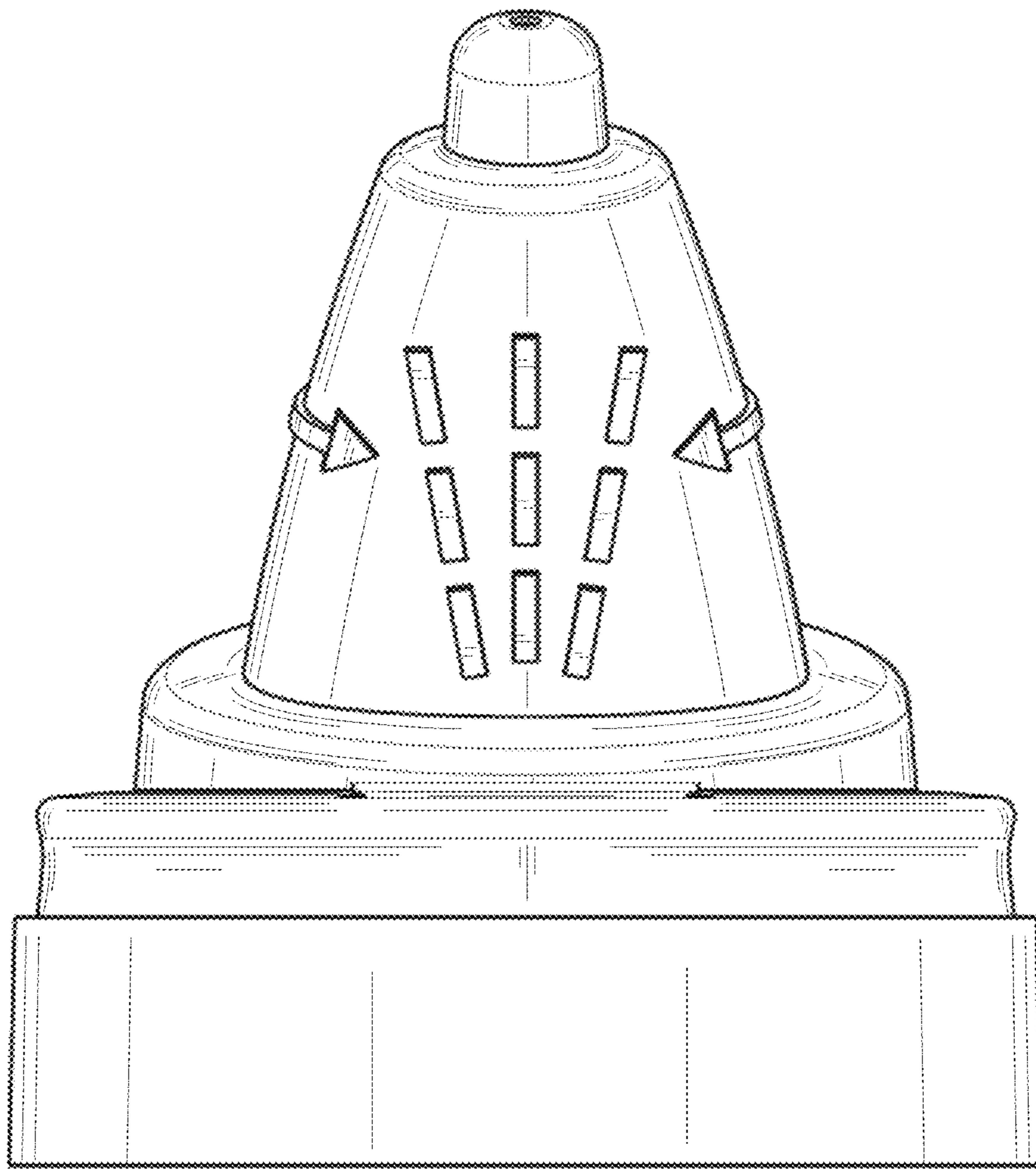
**FIG. 1**



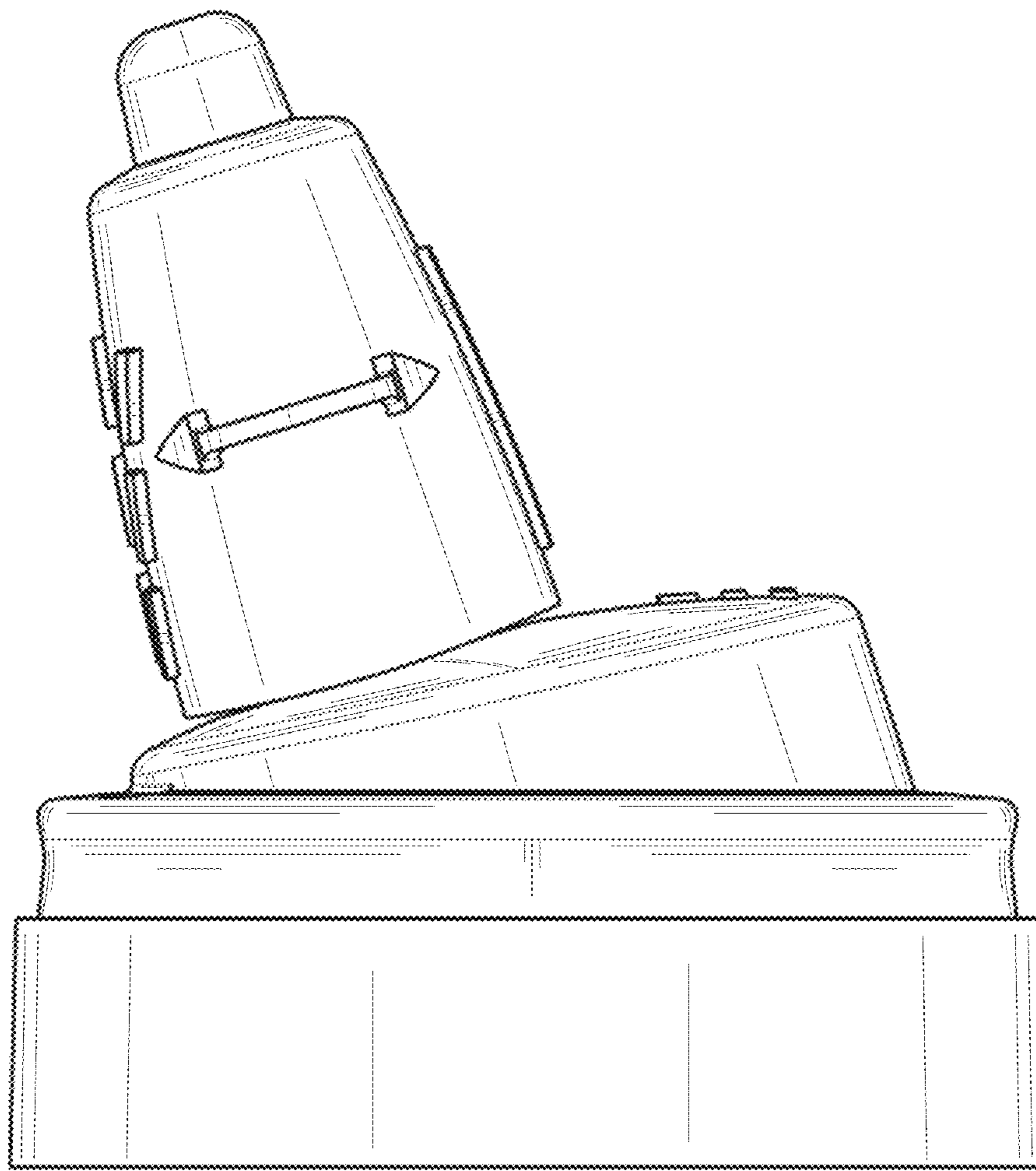
**FIG. 2**



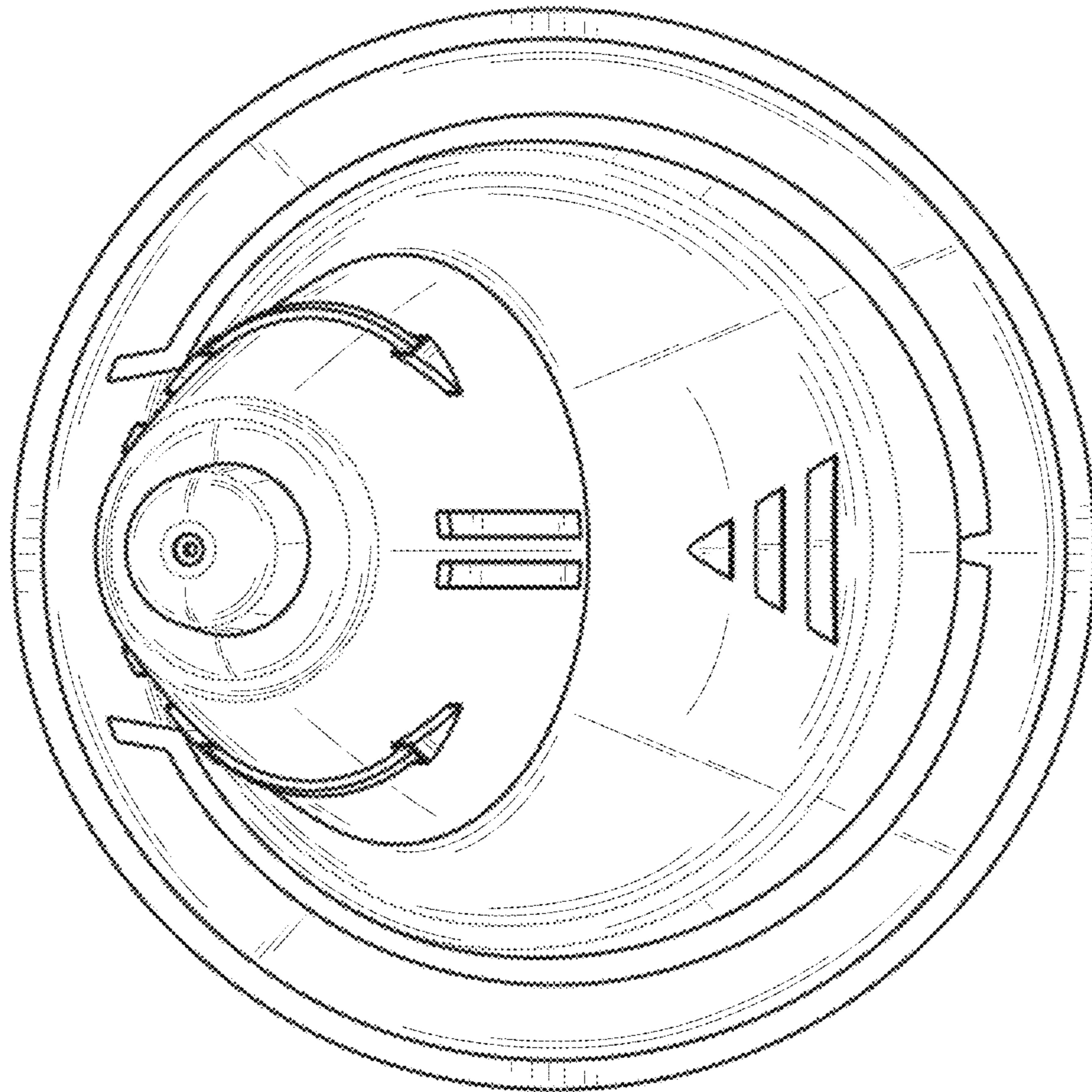
**FIG. 3**



**FIG. 4**

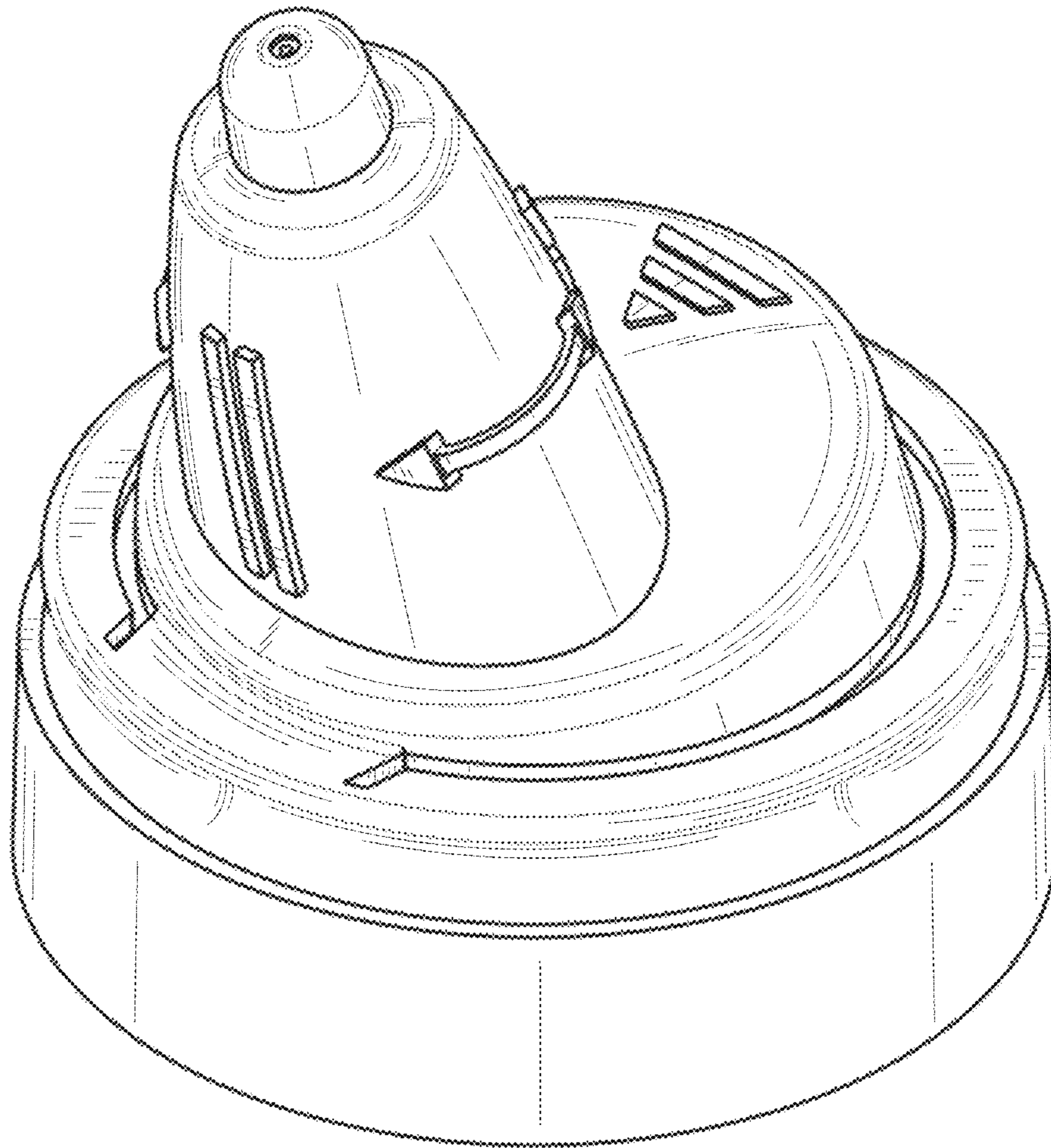


**FIG. 5**



**FIG. 6**





**FIG. 7**