



US00D934072S

(12) **United States Design Patent**
Bacher et al.

(10) **Patent No.:** **US D934,072 S**

(45) **Date of Patent:** **** Oct. 26, 2021**

(54) **SPROUT LID FOR CONTAINER**

(71) Applicant: **MASONTOPS, INC.**, Toronto (CA)

(72) Inventors: **Michael Bacher**, Toronto (CA); **Philip Baron**, Toronto (CA); **Brett Molnar**, Toronto (CA)

(73) Assignee: **MASONTOPS, INC.**, Toronto (CA)

(**) Term: **15 Years**

(21) Appl. No.: **29/760,456**

(22) Filed: **Dec. 1, 2020**

Related U.S. Application Data

(63) Continuation of application No. 29/736,686, filed on Jun. 2, 2020, now Pat. No. Des. 903,490, which is a continuation of application No. 29/699,995, filed on Jul. 30, 2019, now Pat. No. Des. 885,891, which is a continuation of application No. 29/661,651, filed on Aug. 29, 2018, now Pat. No. Des. 854,929, which is
(Continued)

(51) **LOC (13) Cl.** **09-07**

(52) **U.S. Cl.**

USPC **D9/436**

(58) **Field of Classification Search**

USPC D7/300.1, 387, 388, 391, 392, 392.1, D7/393, 394, 395, 396.1, 396.2, 396.6, D7/397, 398, 403, 509, 510, 511, 566, D7/624.1, 625, 672, 900; D9/434, 435, D9/436, 437, 438, 443, 448, 449, 450, D9/451, 454, 453, 516, 529, 548, 685, D9/686, 723, 730, 763; D23/206, 209, D23/259, 260, 365; D24/121, 127, 194, D24/196; D34/1, 7, 10, 11

CPC .. A01G 31/02; A01G 9/0293; B65D 43/0231; B65D 51/24; B65D 47/06; B65D 47/36; B65D 47/247; B65D 47/265; B65D 47/283; B65D 47/08; B65D 47/065;

B65D 47/361; B65D 41/34; B65D 53/02; B65D 50/041; A61J 1/16; F16B 47/00

See application file for complete search history.

(56) **References Cited**

U.S. PATENT DOCUMENTS

D106,808 S * 11/1937 Perlman D7/391
D219,611 S * 12/1970 Swett D7/391

(Continued)

OTHER PUBLICATIONS

Masontops Bean Screen: Announced Feb. 12, 2018 [online]. Site Visited [May 7, 2019], Available from Internet URL: <https://www.masontops.com/collections/sprouting-tools-accessories/products/bean-screen-bean-sprouting-lids-for-mason-jars>.*

(Continued)

Primary Examiner — Catherine S Posthauer

(74) *Attorney, Agent, or Firm* — McAndrews, Held & Malloy, Ltd.

(57)

CLAIM

The ornamental design for a sprout lid for container, as shown and described.

DESCRIPTION

FIG. 1 is a top perspective view of a sprout lid for container showing our new design;

FIG. 2 is a front elevation view thereof;

FIG. 3 is a rear elevation view thereof;

FIG. 4 is a right side elevation view thereof;

FIG. 5 is a left side elevation view thereof;

FIG. 6 is a top plan view thereof;

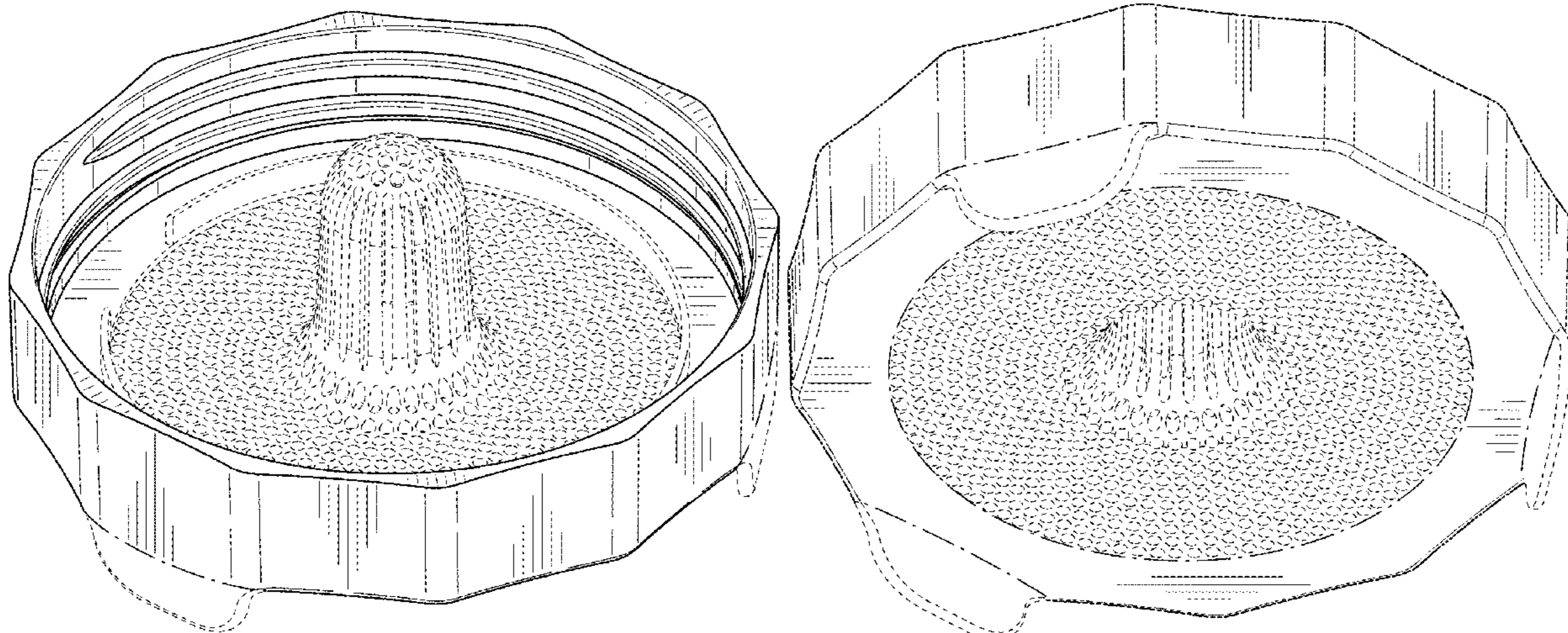
FIG. 7 is a bottom plan view thereof; and,

FIG. 8 is a bottom perspective view thereof.

The dashed broken lines in the figures illustrate portions of the sprout lid that form no part of the claimed design.

The dot-dash broken lines in FIGS. 1-5 and 7-8 define the boundaries of the claimed design and form no part thereof.

1 Claim, 6 Drawing Sheets



Related U.S. Application Data

a continuation of application No. 16/027,858, filed on Jul. 5, 2018.

(60) Provisional application No. 62/529,283, filed on Jul. 6, 2017.

(56) **References Cited**

U.S. PATENT DOCUMENTS

4,161,844 A * 7/1979 Hentschel A01G 31/02
 47/62 R
 4,179,846 A * 12/1979 Carlisle A01G 31/02
 47/59 R
 D327,604 S * 7/1992 Culverson D34/39
 D369,941 S * 5/1996 Ramina D7/387
 D472,143 S * 3/2003 Martin D9/434
 D647,799 S * 11/2011 Dunwoody D9/435
 D650,669 S * 12/2011 Dunwoody D9/435

D651,081 S * 12/2011 Dunwoody D9/435
 D651,082 S * 12/2011 Dunwoody D9/435
 D769,119 S * 10/2016 Hooker D9/452
 D828,085 S * 9/2018 Baron D7/392.1
 D837,054 S * 1/2019 Mallahan, III D9/443
 D854,929 S * 7/2019 Bacher B65D 43/0231
 D9/436
 D856,070 S * 8/2019 Baron D7/392.1
 D881,641 S * 4/2020 Baron D7/392.1
 D908,422 S * 1/2021 Baron D7/392.1
 D913,096 S * 3/2021 Kobayashi D9/455
 2018/0362228 A1 * 12/2018 Jacobson B65D 43/0204
 2019/0008105 A1 * 1/2019 Bacher B65D 51/24

OTHER PUBLICATIONS

How to Grow Sprouts: Announced Jan. 29, 2016 [online]. Site Visited [May 23, 2019], Available from Internet URL: <https://passtheplants.com/grow-sprouts-at-home/>.*

* cited by examiner

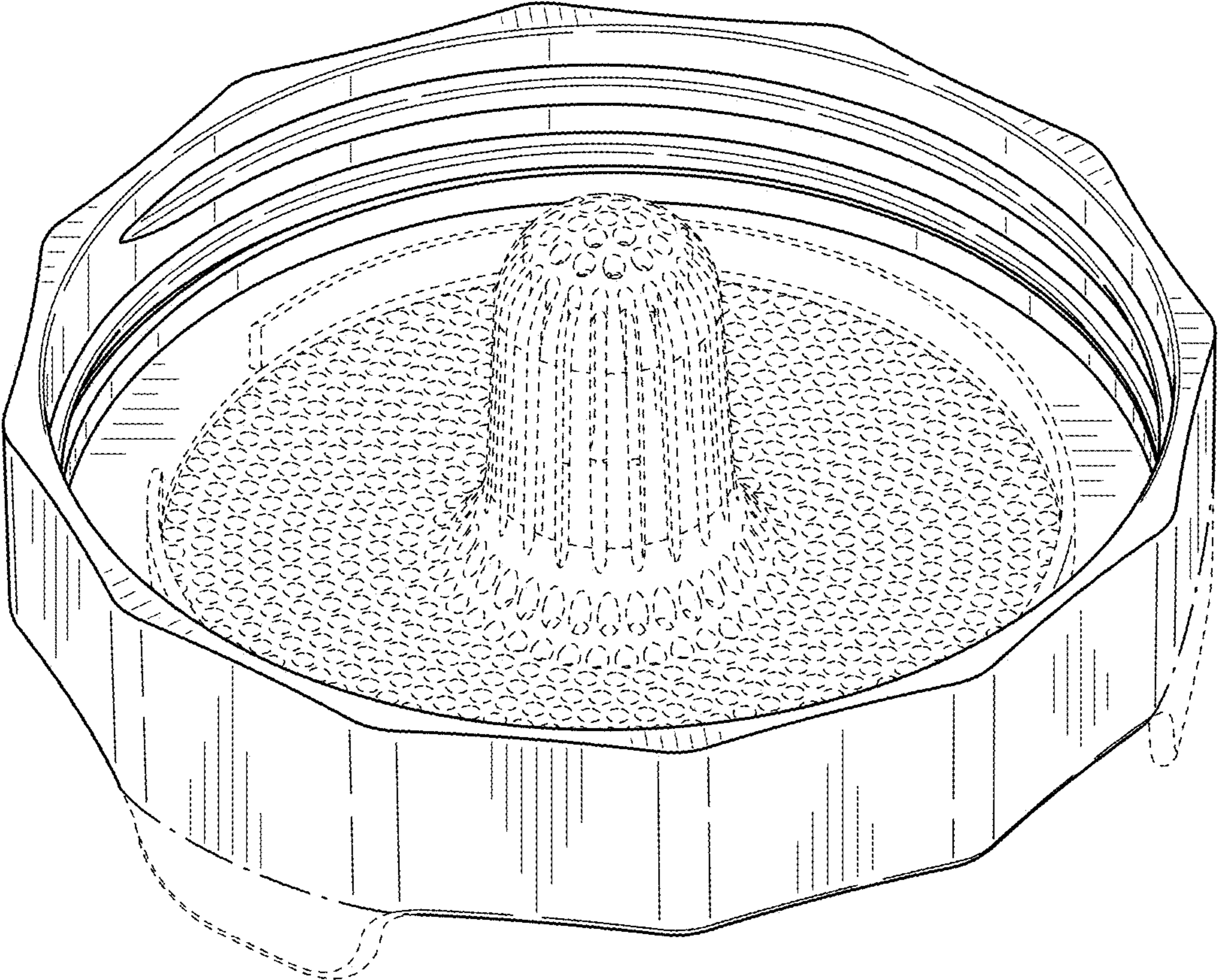


FIG. 1

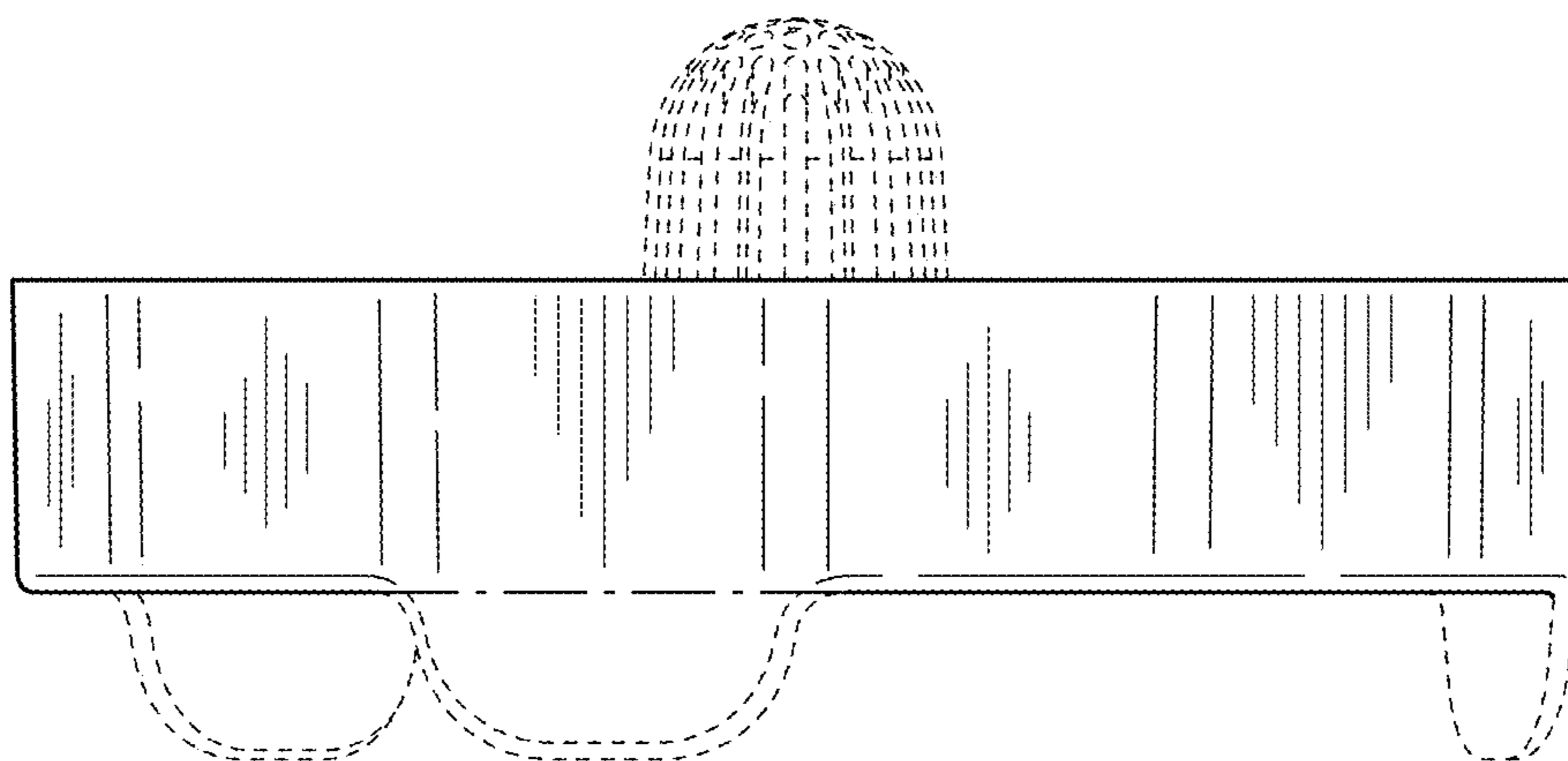


FIG. 2

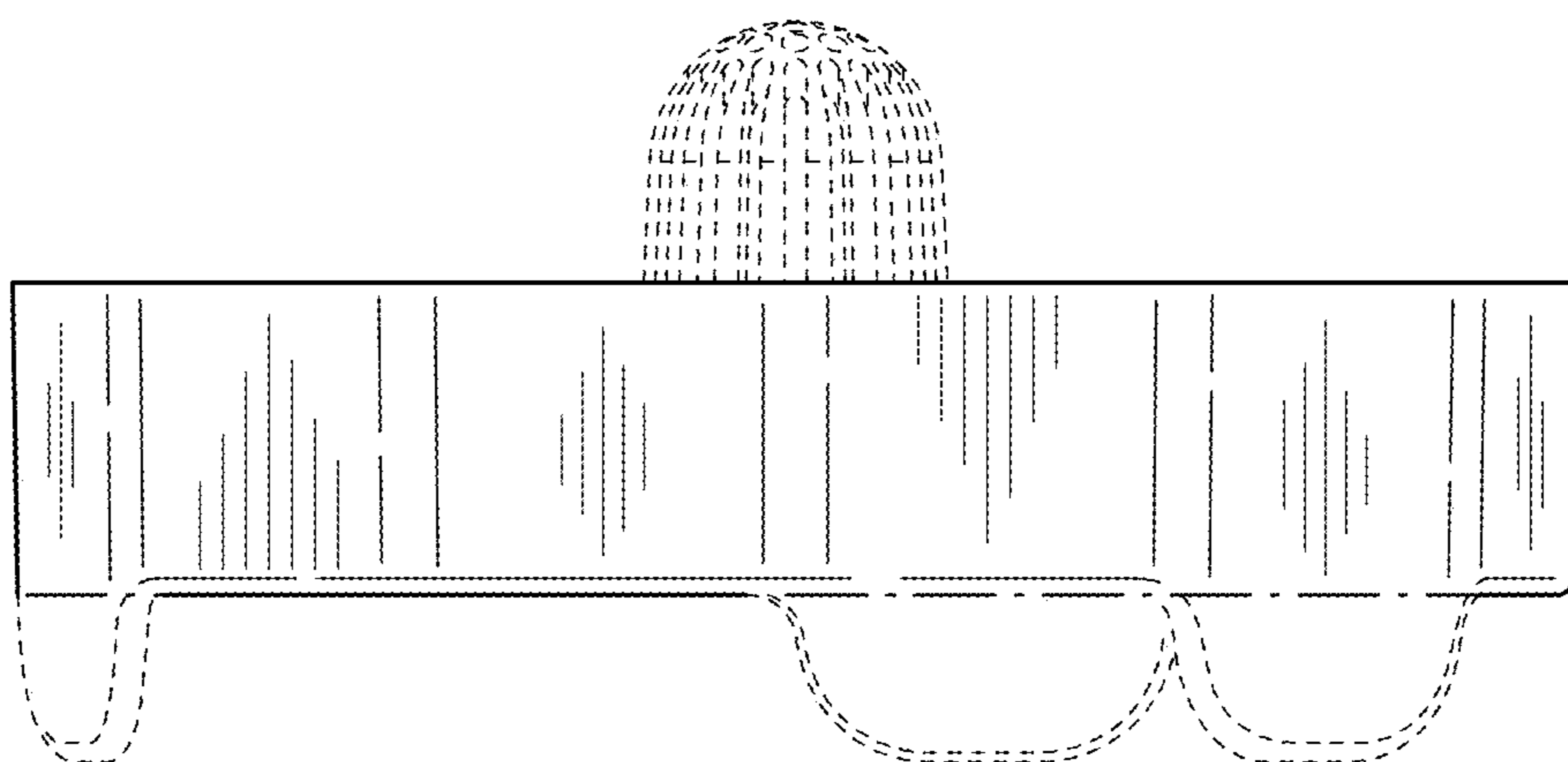


FIG. 3

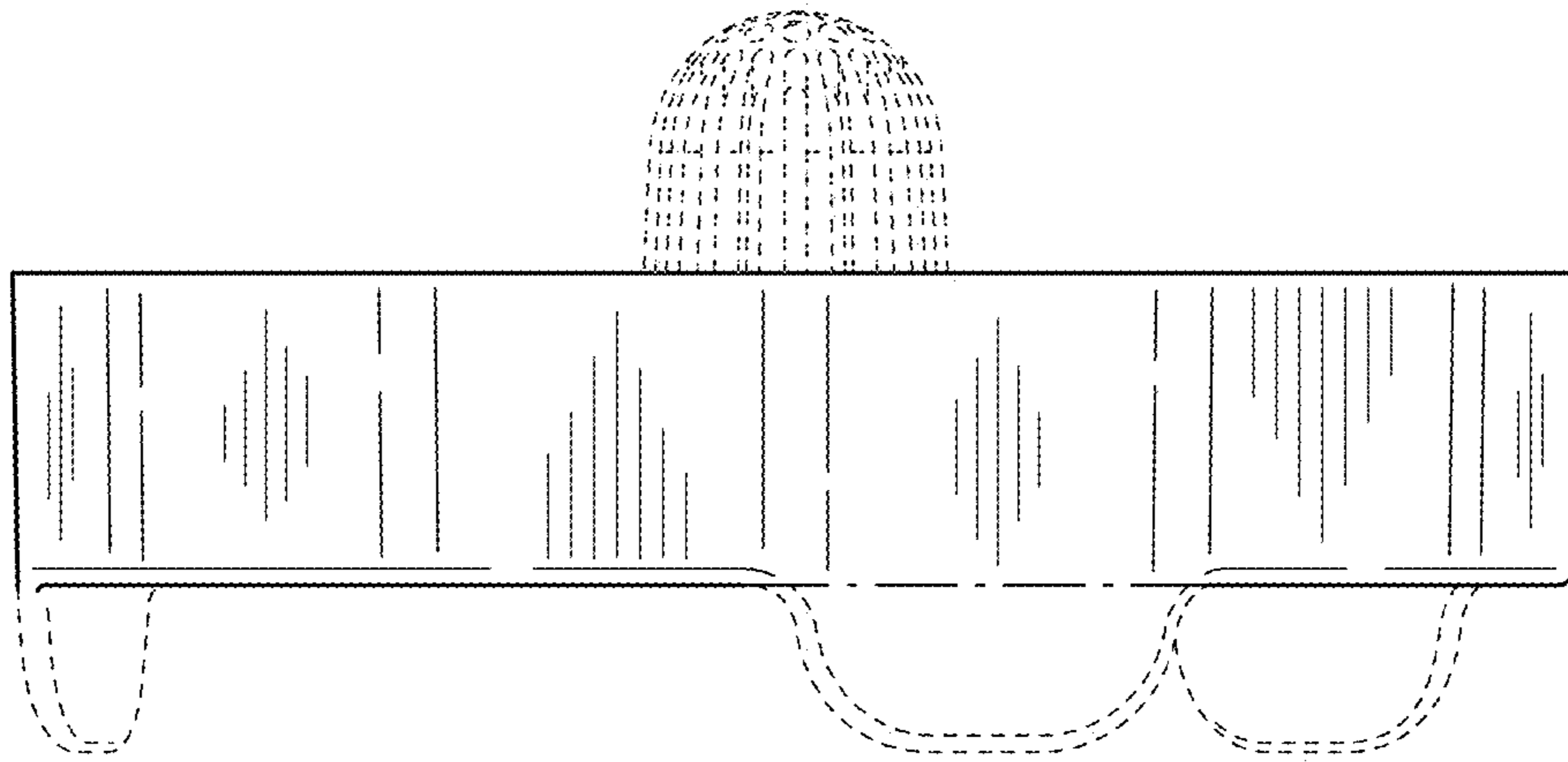


FIG. 4

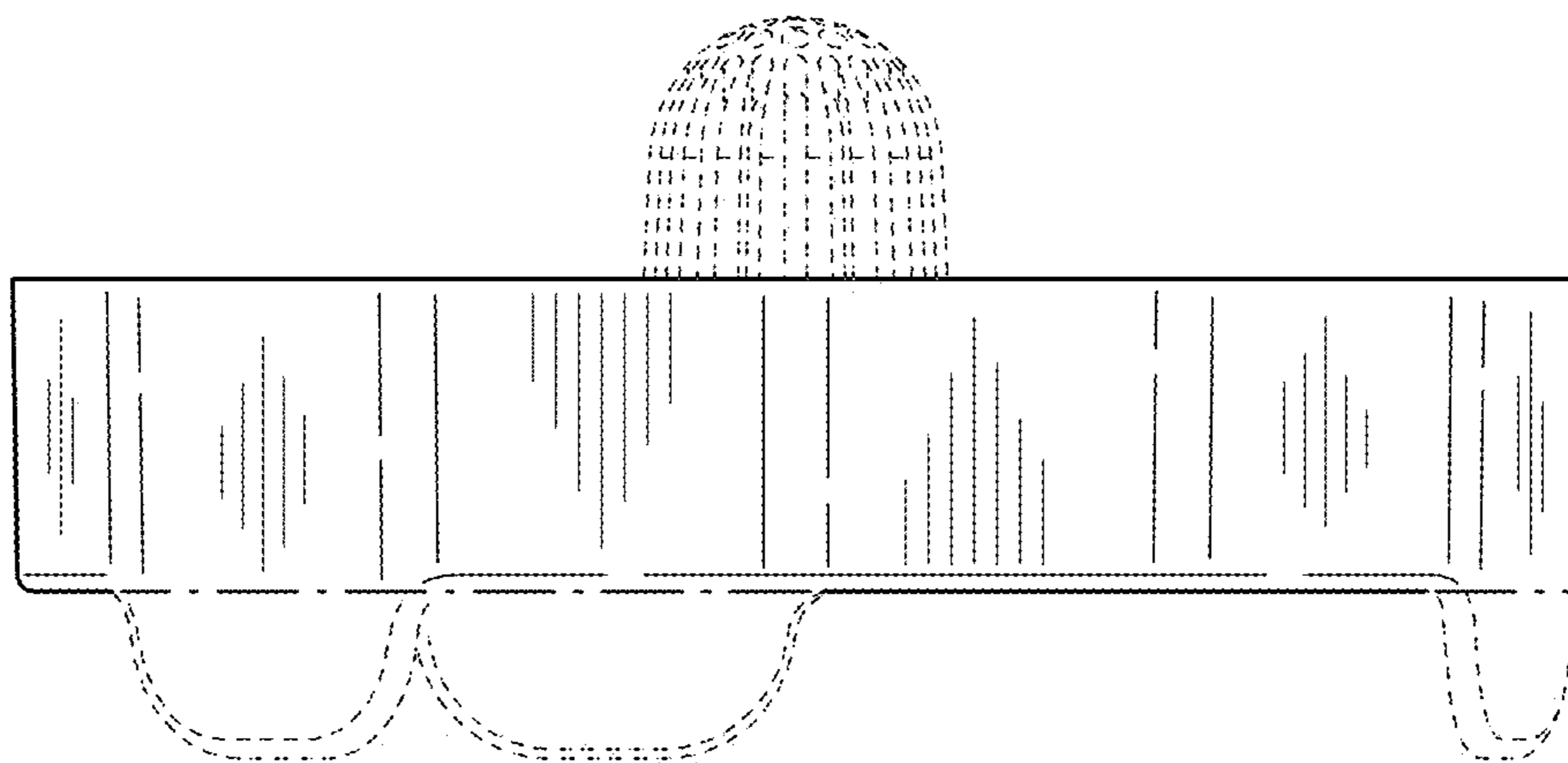


FIG. 5

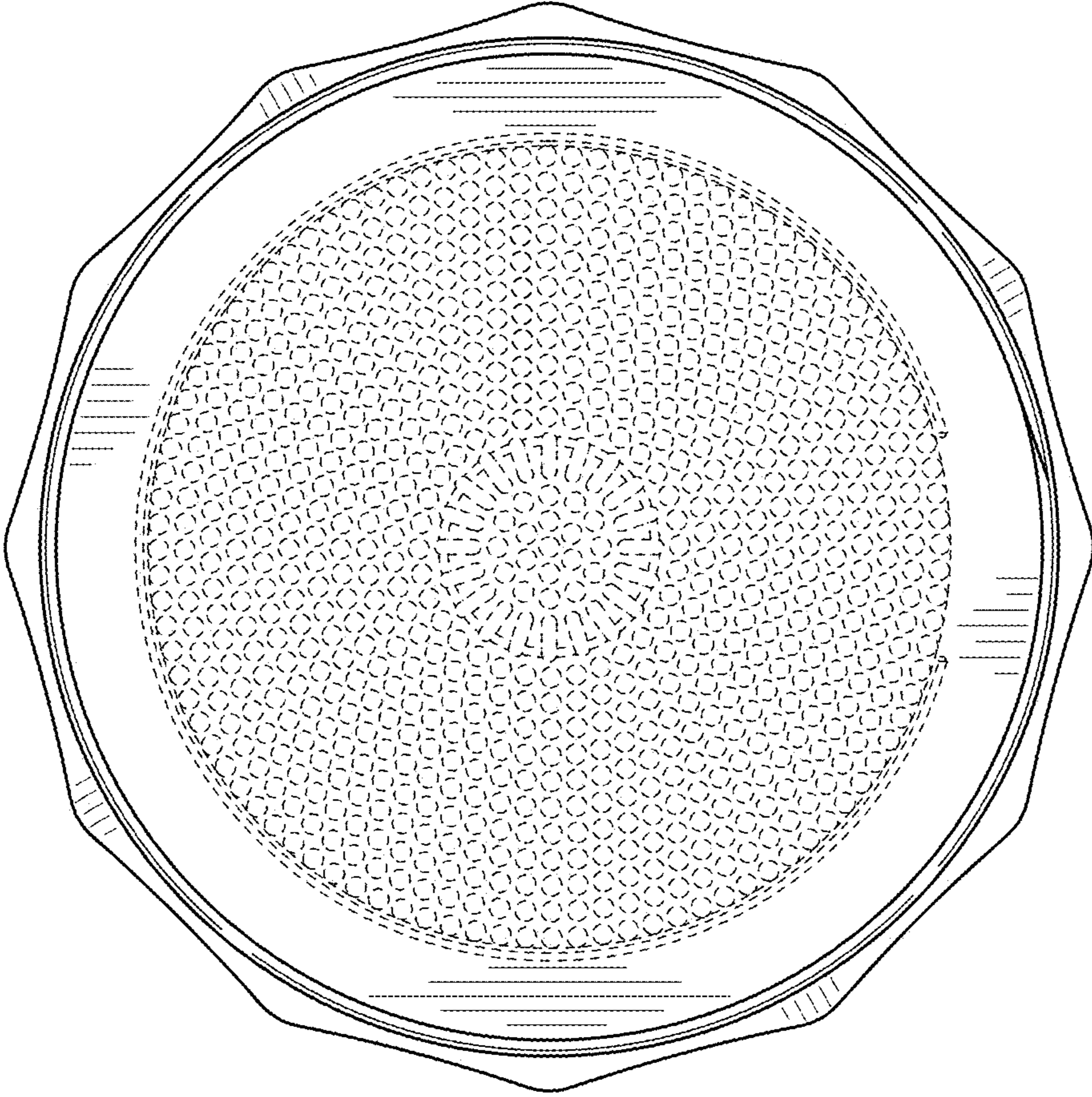


FIG. 6

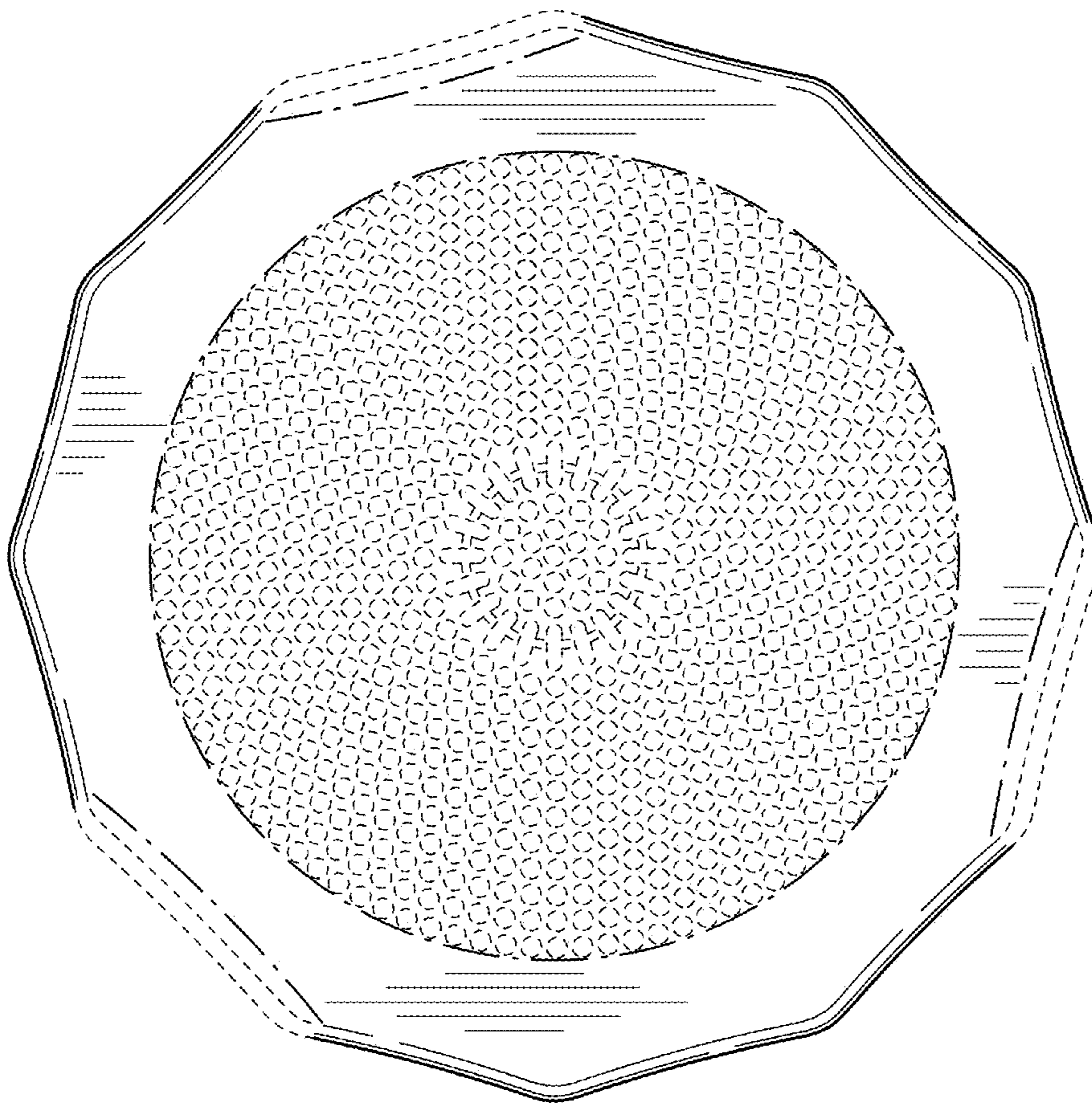


FIG. 7

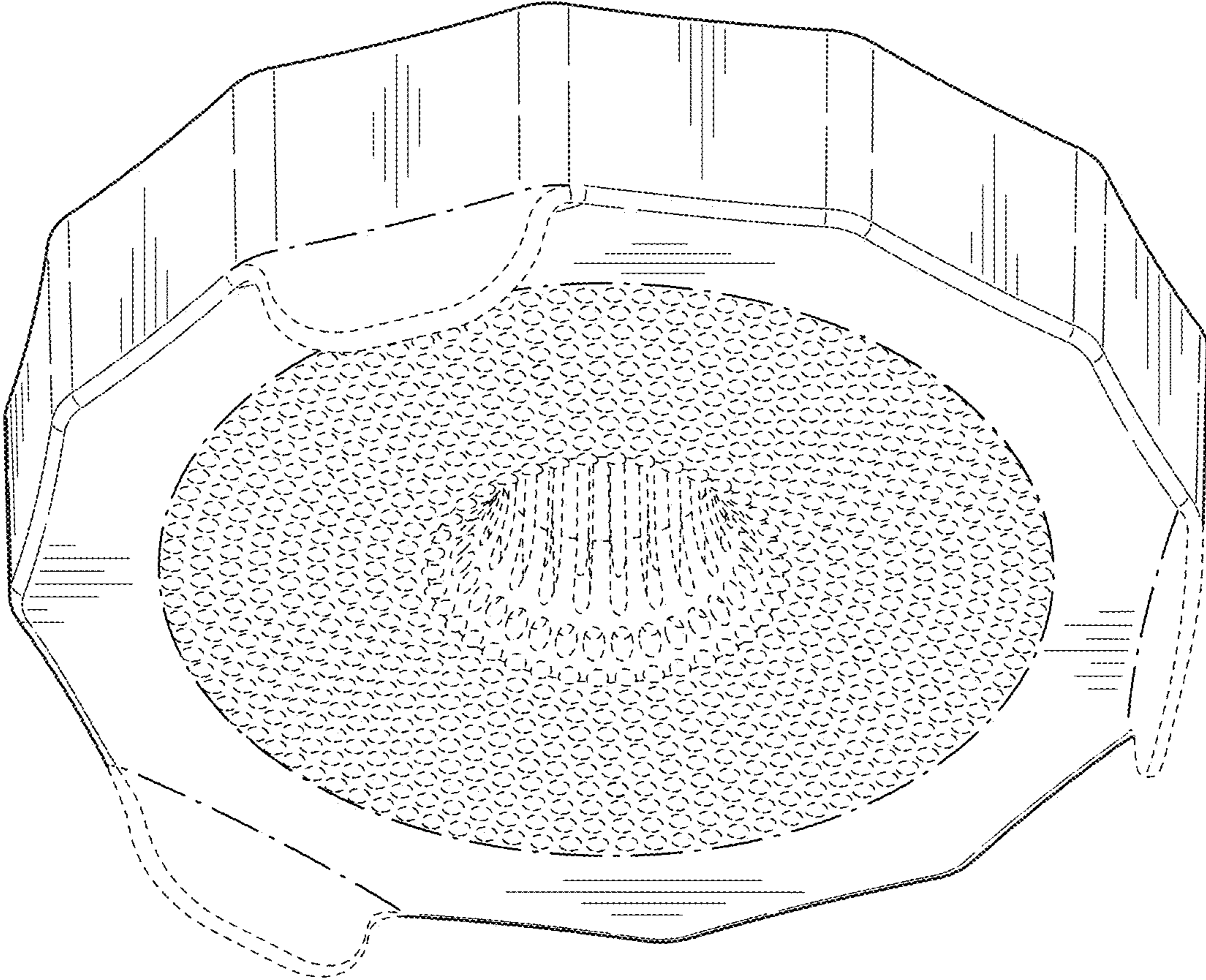


FIG. 8