



US00D934071S

(12) **United States Design Patent** (10) **Patent No.:** **US D934,071 S**
Stathis et al. (45) **Date of Patent:** **** Oct. 26, 2021**

(54) **BOX FOR SHAVERS**

DESCRIPTION

(71) Applicant: **Societe BIC**, Clichy (FR)
(72) Inventors: **Aristeidis Stathis**, Athens (GR);
Athanasia Gkika, Spata (GR);
Andreas Vasiliadis, Halandri (GR);
Ioannis Malliaros, Athens (GR);
Panagiotis Giannopoulos, Ilion (GR)
(73) Assignee: **Societe BIC**, Clichy (FR)
(**) Term: **15 Years**
(21) Appl. No.: **29/688,258**
(22) Filed: **Apr. 19, 2019**
(51) **LOC (13) Cl.** **09-03**
(52) **U.S. Cl.**
USPC **D9/432**; D9/416; D9/737; D9/415
(58) **Field of Classification Search**
USPC D9/414-423, 424-429, 430-433, 434,
D9/456, 457, 711, 713, 721-722, 737,
(Continued)

FIG. 1 is a first perspective view of a first embodiment of an ornamental design for a box for shavers.
FIG. 2 is a second perspective view thereof showing the top of the box for shavers opened.
FIG. 3 is a third perspective view thereof showing the perforated segments partially separated from the box for shavers.
FIG. 4 is a fourth perspective view thereof and is similar to FIG. 2 showing an outline of a shaver to illustrate the environment.
FIG. 5 is a front view of the box for shavers of FIG. 1.
FIG. 6 is a back view thereof.
FIG. 7 is a left view thereof.
FIG. 8 is a right view thereof.
FIG. 9 is a top view thereof.
FIG. 10 is a bottom view thereof.
FIG. 11 is a first perspective view of a second embodiment of an ornamental design for a box for shavers.
FIG. 12 is a second perspective view thereof showing the top of the box for shavers opened.
FIG. 13 is a third perspective view thereof showing the perforated segments partially separated from the box for shavers.
FIG. 14 is a fourth perspective view thereof and is similar to FIG. 12 showing an outline of a shaver to illustrate the environment.
FIG. 15 is a front view of the box for shavers of FIG. 11.
FIG. 16 is a back view thereof.
FIG. 17 is a left view thereof.
FIG. 18 is a right view thereof.
FIG. 19 is a top view thereof.
FIG. 20 is a bottom view thereof.
FIG. 21 is a first perspective view of a third embodiment of an ornamental design for a box for shavers.
FIG. 22 is a second perspective view thereof showing the top of the box for shavers opened.
FIG. 23 is a third perspective view thereof showing the perforated segments partially separated from the box for shavers.
FIG. 24 is a fourth perspective view thereof and is similar to FIG. 22 showing an outline of a shaver to illustrate the environment.

(56) **References Cited**

U.S. PATENT DOCUMENTS

D249,639 S * 9/1978 Hogg D9/415
4,421,267 A * 12/1983 Wischoff B65D 5/18
206/806

(Continued)

OTHER PUBLICATIONS

Photo of Hand & Pocket Warmer. Hothands.

Primary Examiner — Vy N Koenig

(74) *Attorney, Agent, or Firm* — The H.T. Than Law Group

(57) **CLAIM**

The ornamental design for a box for shavers, as shown and described.

(Continued)

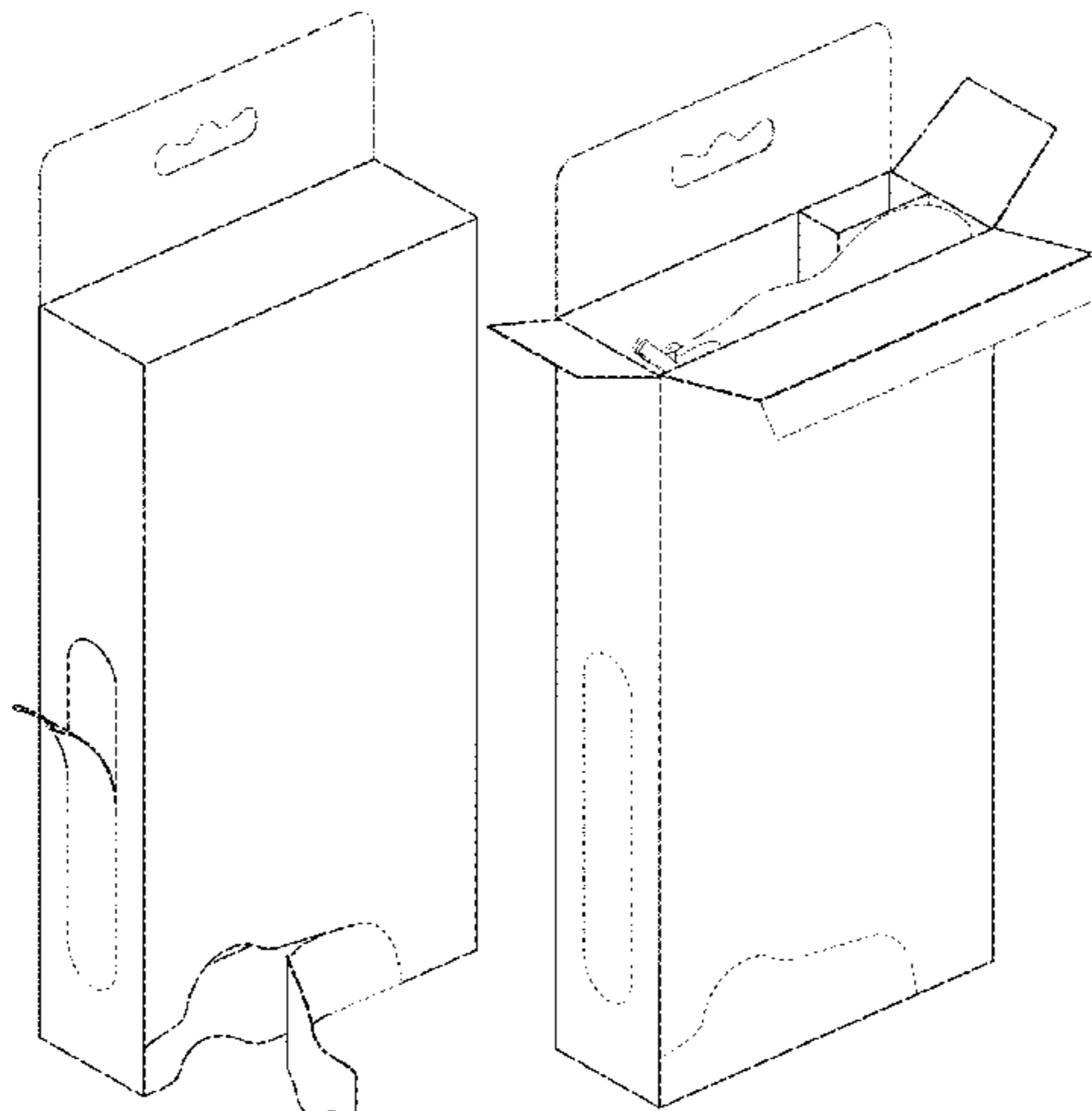


FIG. 25 is a front view of the box for shavers of FIG. 21.
 FIG. 26 is a back view thereof.
 FIG. 27 is a left view thereof.
 FIG. 28 is a right view thereof.
 FIG. 29 is a top view thereof; and,
 FIG. 30 is a bottom view thereof.

The dash-dash broken lines represent perforations on the box for shavers and form a part of the claimed design. The dash-dot-dash broken lines illustrate the environment of the claim and form no part of the claimed design.

1 Claim, 24 Drawing Sheets

(58) **Field of Classification Search**

USPC D9/756, 758, 759, 760; D3/272-274,
 D3/290, 304, 305, 315; D20/10, 22, 27,
 D20/40, 42
 CPC ... B65D 5/00; B65D 5/12; B65D 5/18; B65D
 5/20

See application file for complete search history.

(56) **References Cited**

U.S. PATENT DOCUMENTS

D321,134 S * 10/1991 Toinet D9/733
 D403,576 S * 1/1999 Weiss D9/734

D405,369 S * 2/1999 Dohner D9/415
 D485,172 S * 1/2004 Defino, Jr. D9/415
 6,915,907 B2 7/2005 Myers
 D538,676 S * 3/2007 Millen D9/415
 D582,764 S * 12/2008 Green D9/418
 D586,234 S * 2/2009 Lamoury D9/733
 7,648,048 B2 1/2010 Smith
 D700,047 S * 2/2014 Bloch D9/415
 D732,951 S * 6/2015 Ahn D9/418
 D734,142 S * 7/2015 Lee D9/415
 D745,388 S * 12/2015 Taylor D9/418
 D778,149 S * 2/2017 Frick D9/416
 9,617,032 B2 4/2017 Gamble et al.
 D794,443 S * 8/2017 Frick D9/416
 D823,107 S * 7/2018 Sanfilippo D9/432
 10,239,683 B2 3/2019 Umentum et al.
 D846,982 S * 4/2019 Horne D9/418
 D852,032 S * 6/2019 Horne D9/415
 D853,834 S * 7/2019 Oh D9/415
 D863,958 S * 10/2019 Tidwell D9/435
 D865,515 S * 11/2019 McKenzie D9/432
 D876,220 S * 2/2020 Sanfilippo D9/432
 D891,920 S * 8/2020 Sill D9/432
 2006/0289554 A1 12/2006 Mitchell et al.
 2009/0101698 A1* 4/2009 Chen B65D 5/4216
 229/117.18
 2017/0144816 A1* 5/2017 Holford B65D 85/10484

* cited by examiner

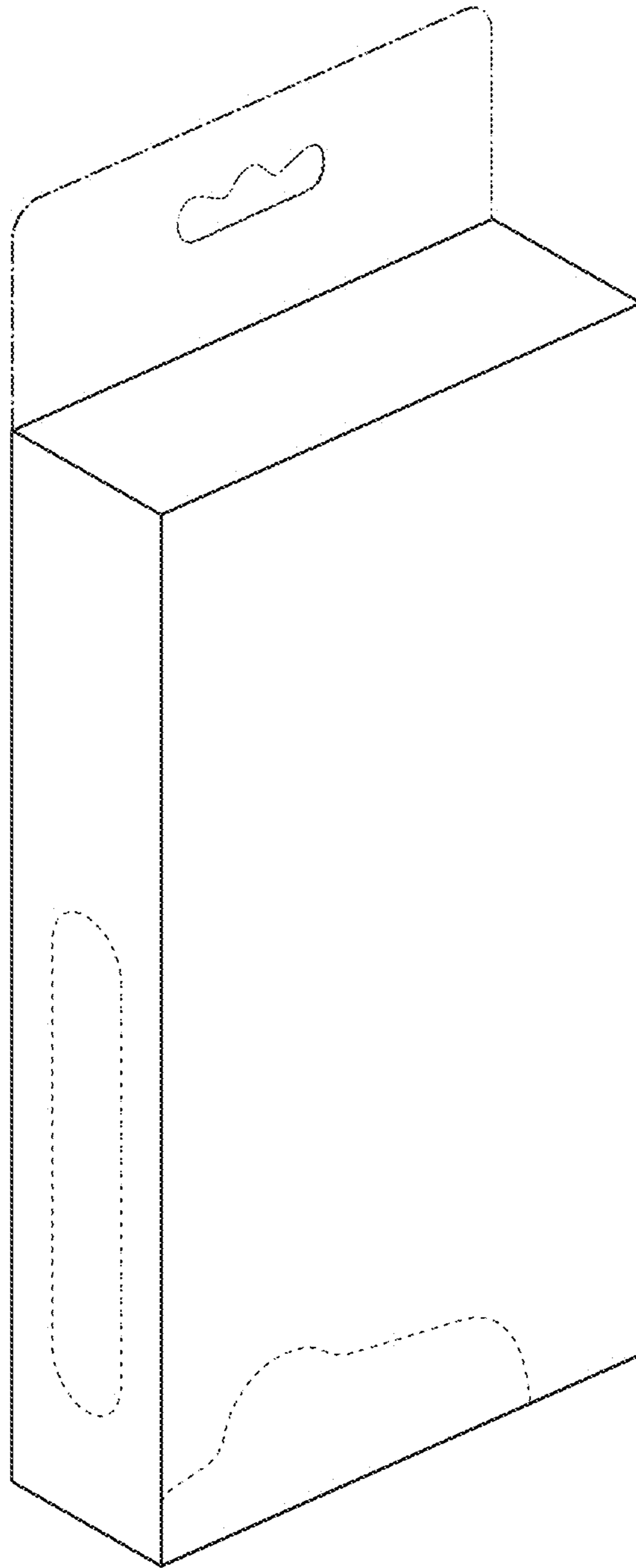


Fig. 1

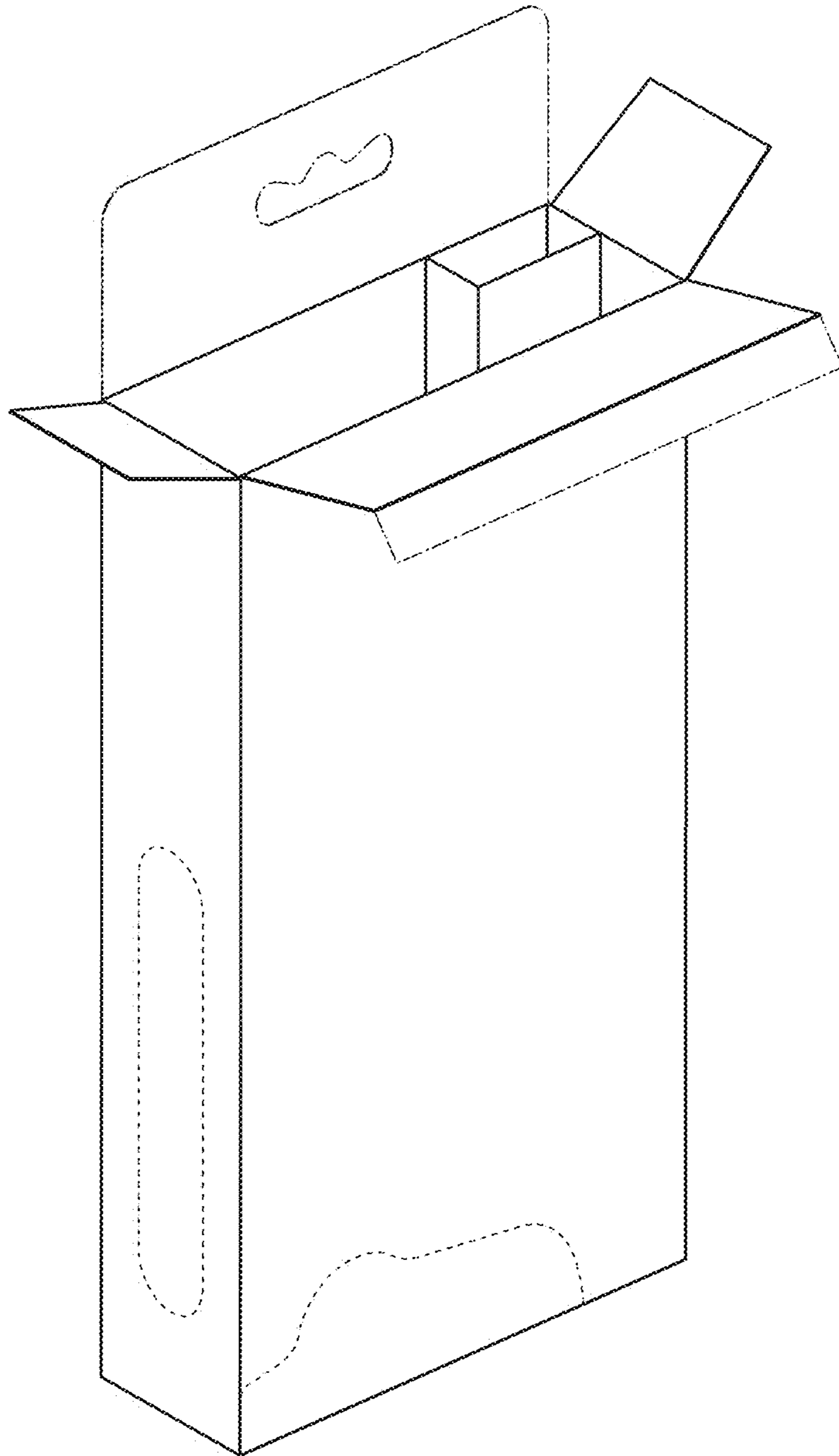


Fig. 2

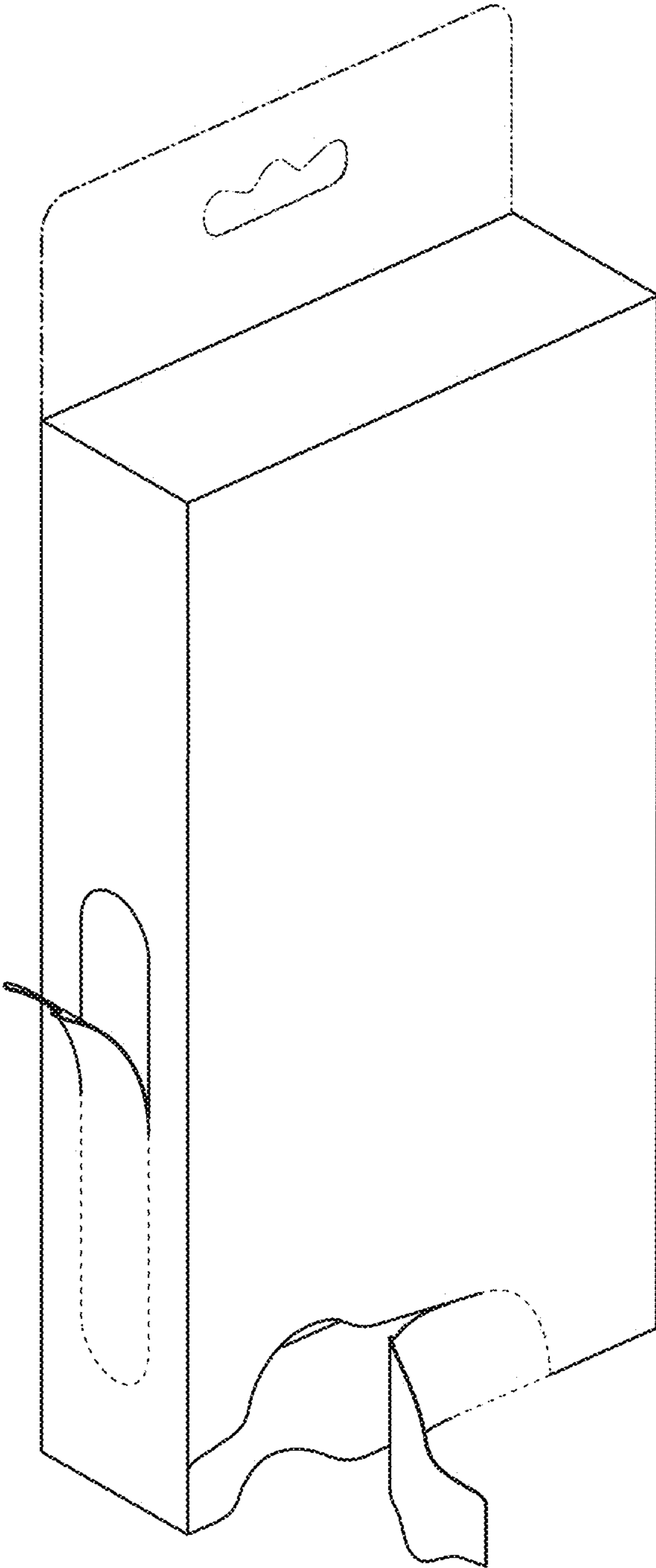


Fig. 3

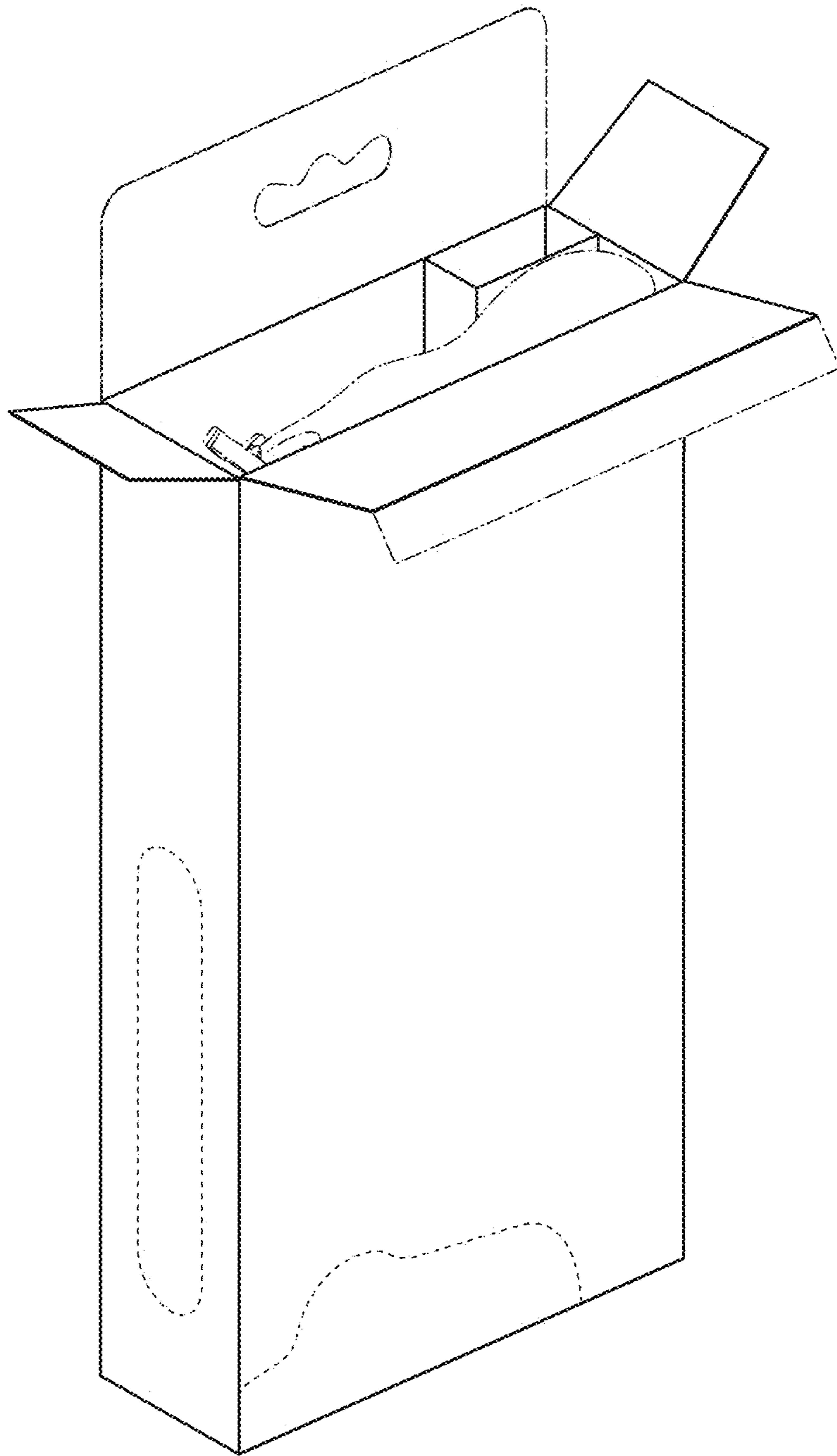


Fig. 4

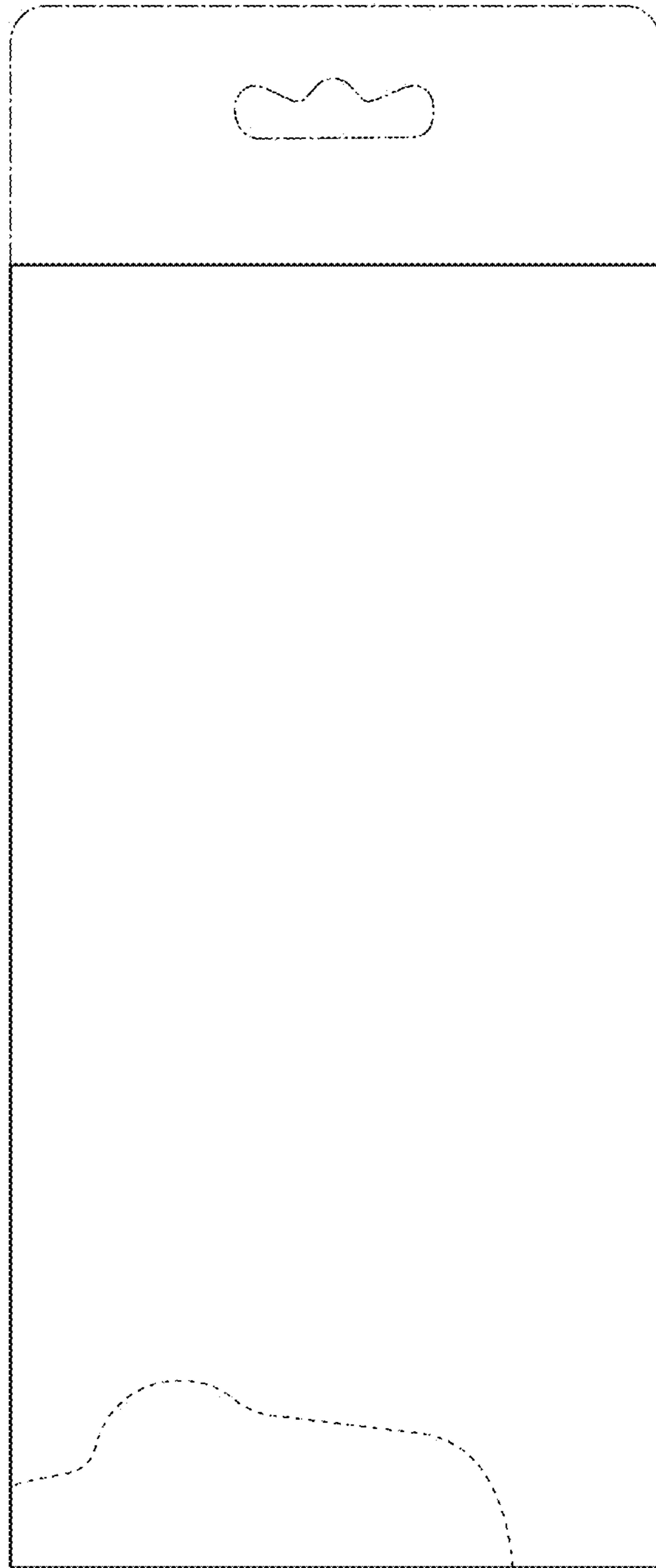


Fig. 5

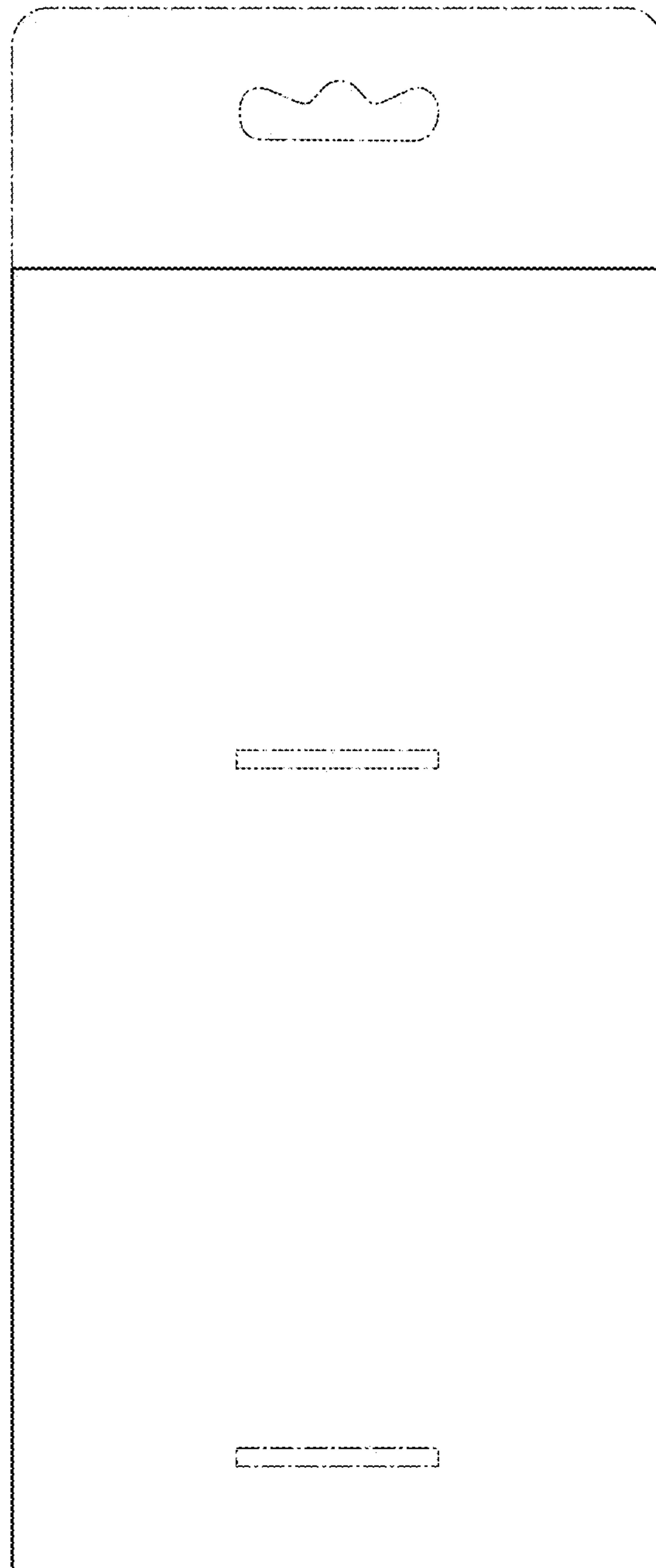


Fig. 6

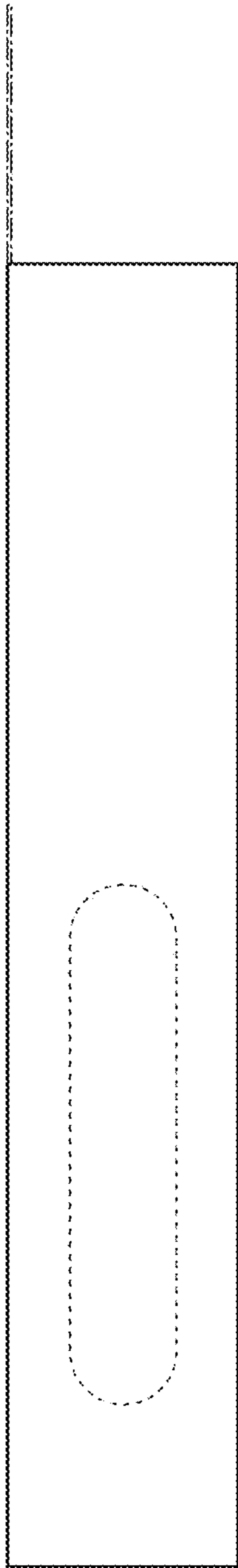


Fig. 7



Fig. 8



Fig. 9



Fig. 10

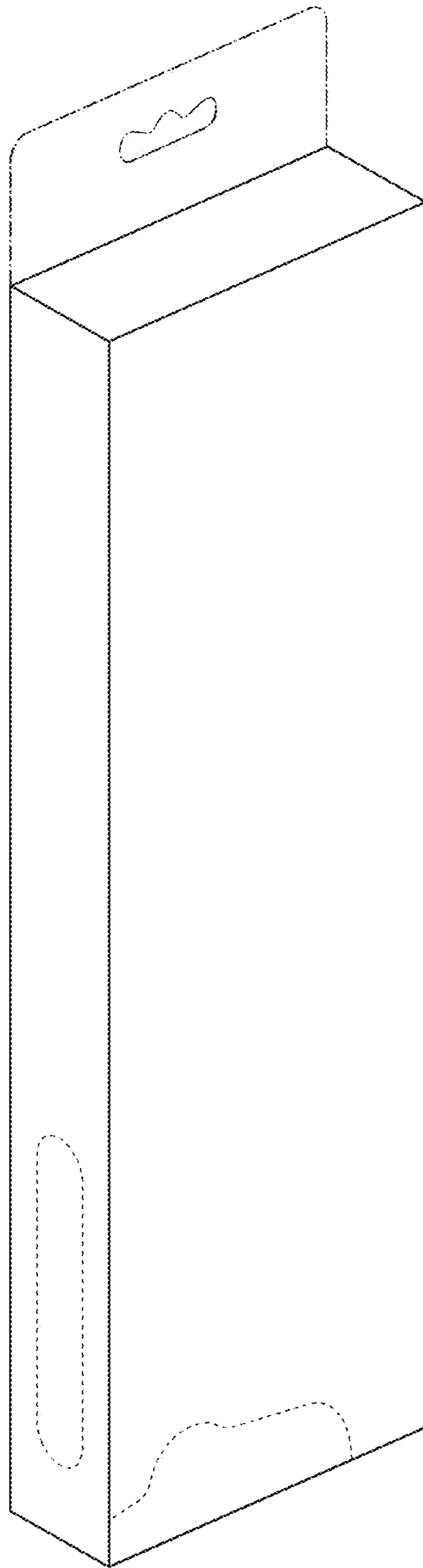


Fig. 11

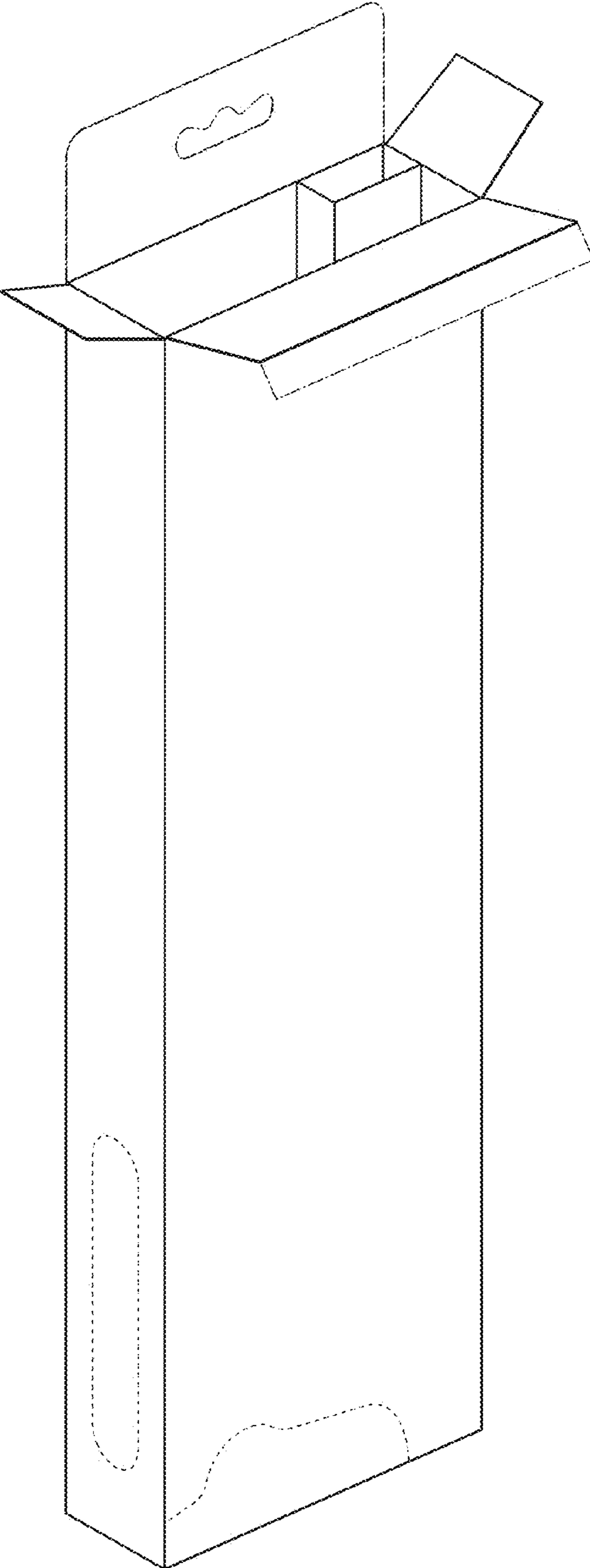


Fig. 12

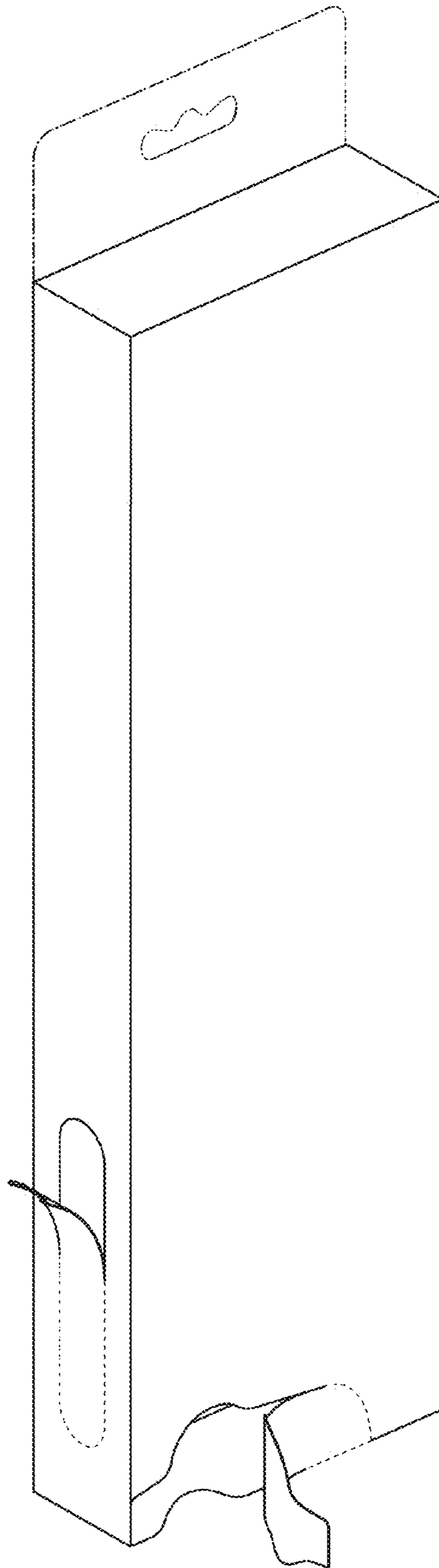


Fig. 13

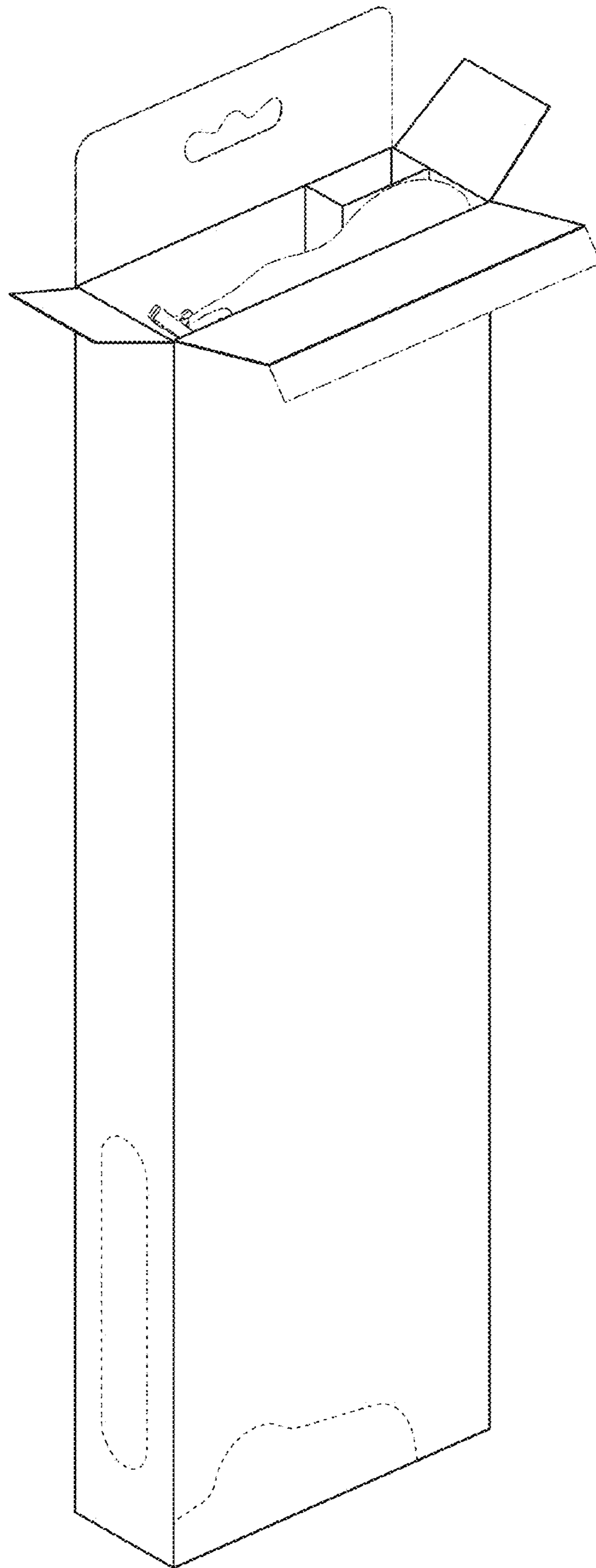


Fig. 14



Fig. 15

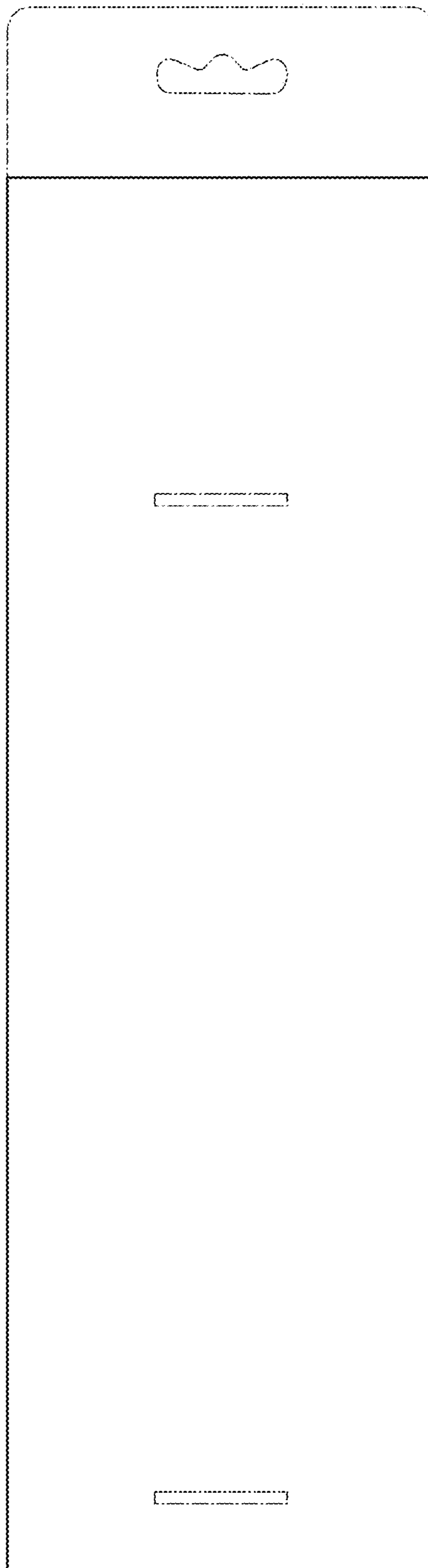


Fig. 16

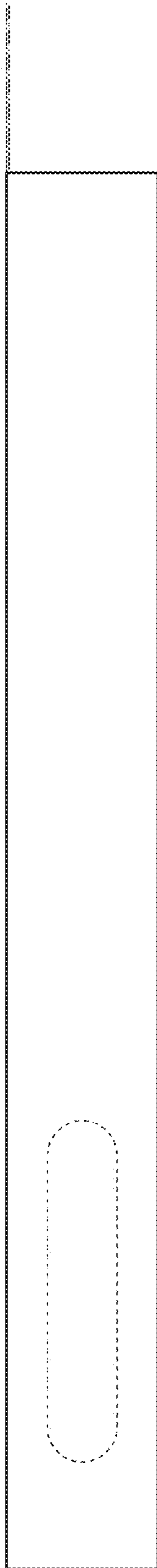


Fig. 17

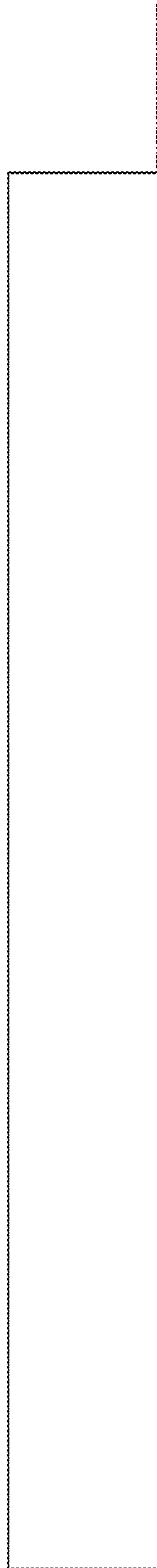


Fig. 18



Fig. 19



Fig. 20

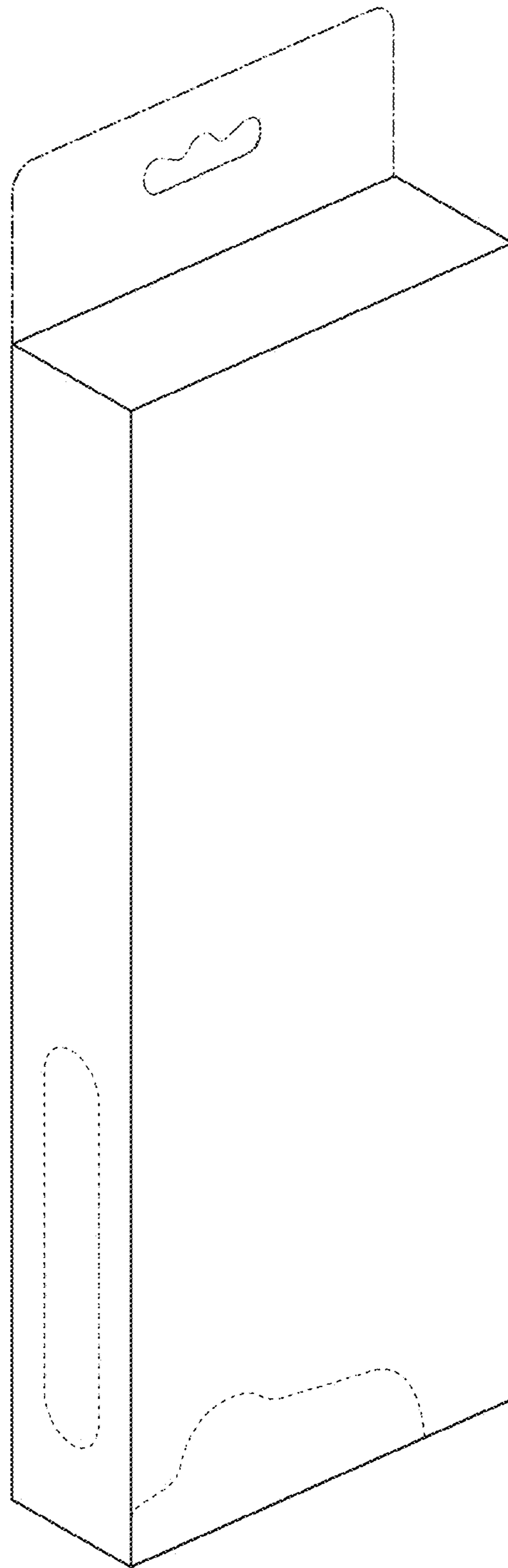


Fig. 21

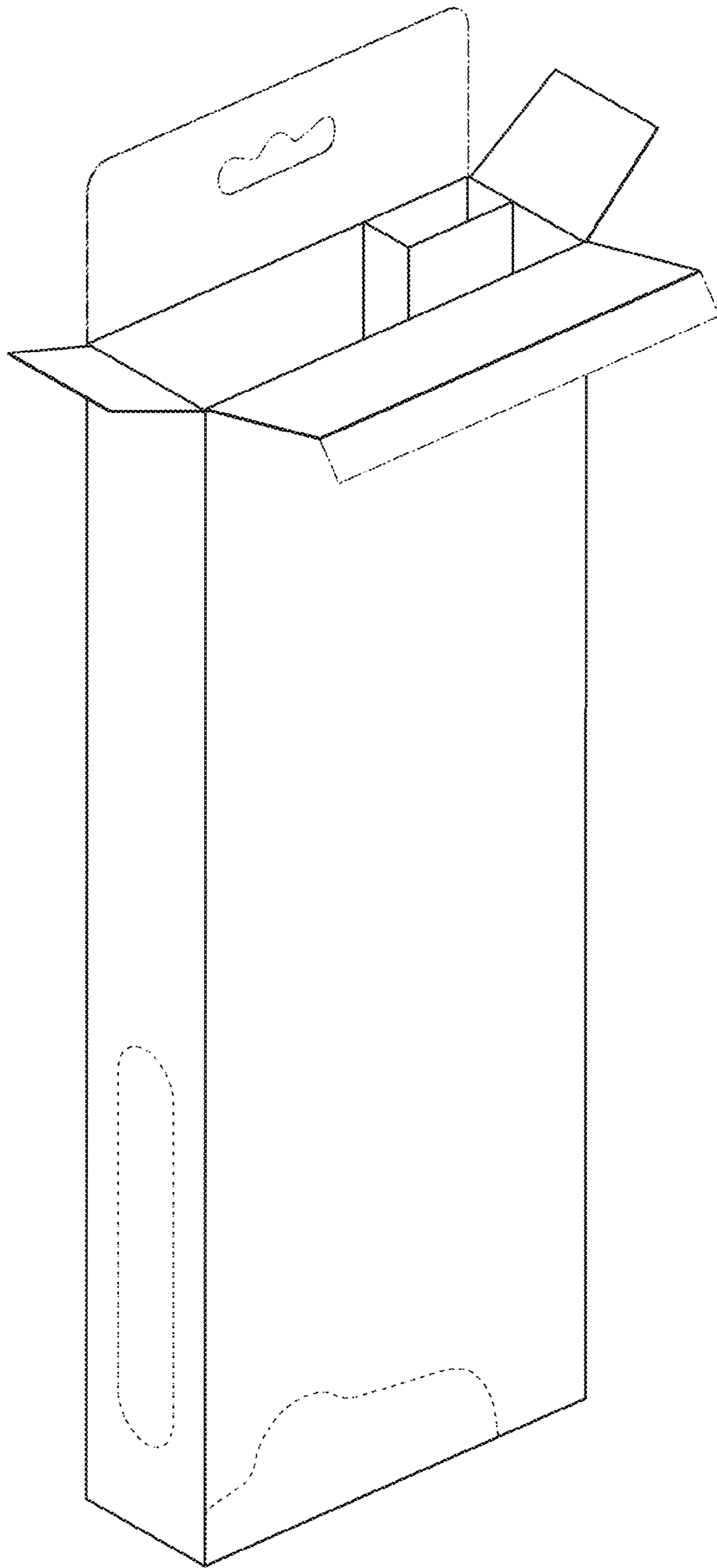


Fig. 22

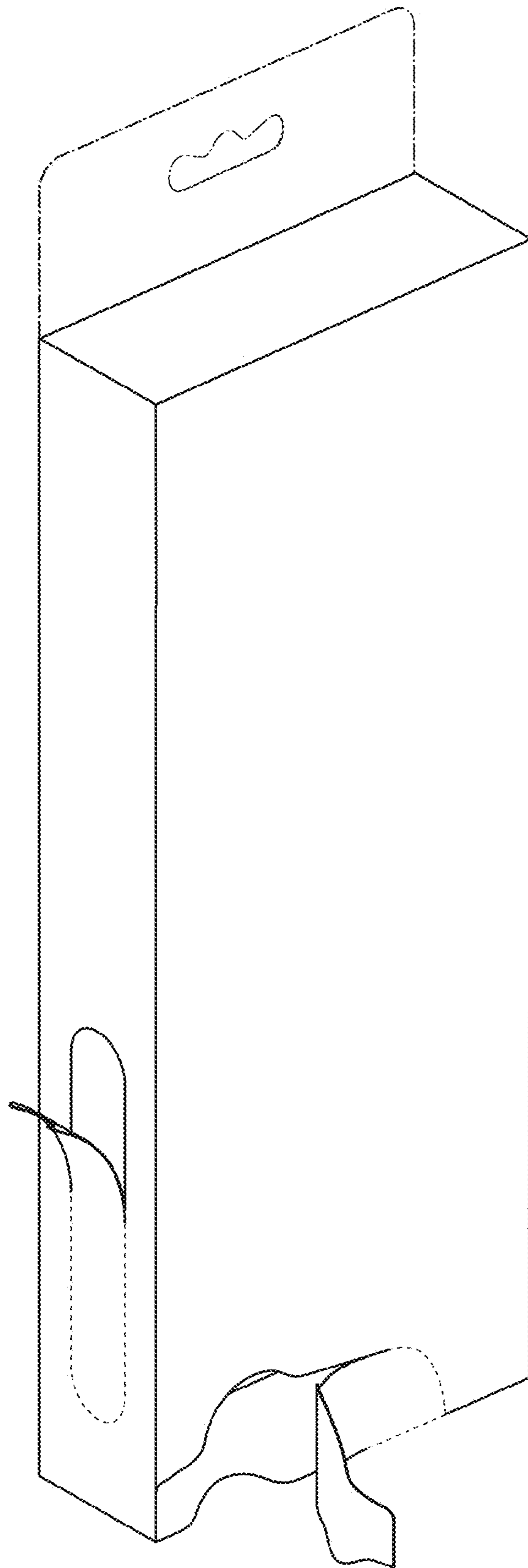


Fig. 23

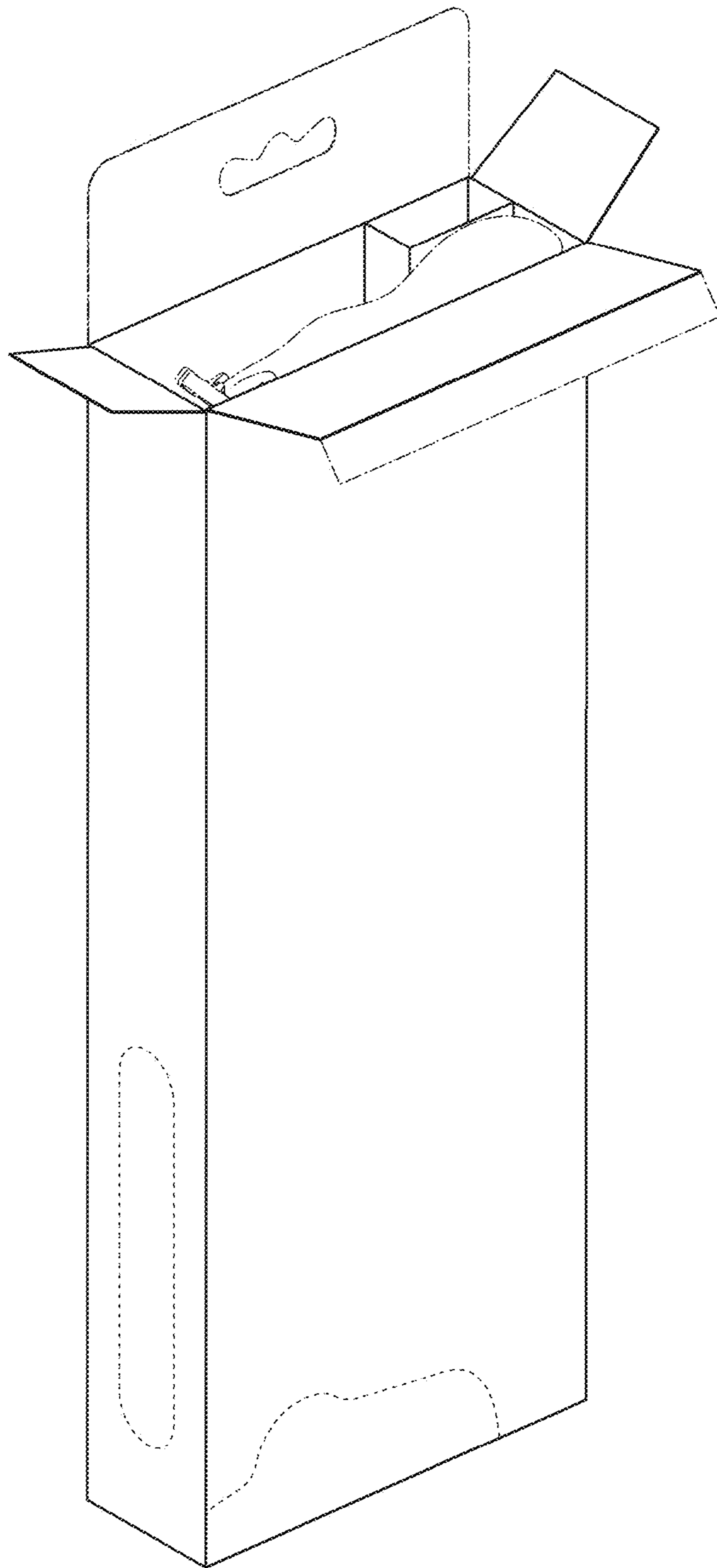


Fig. 24

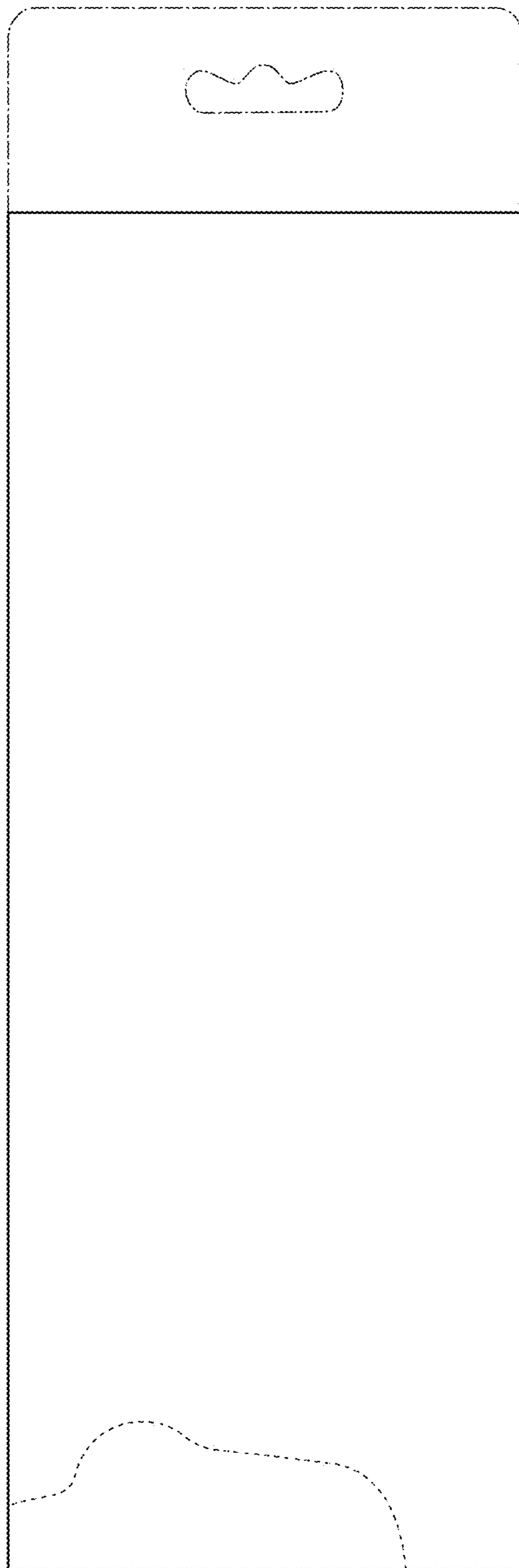


Fig. 25

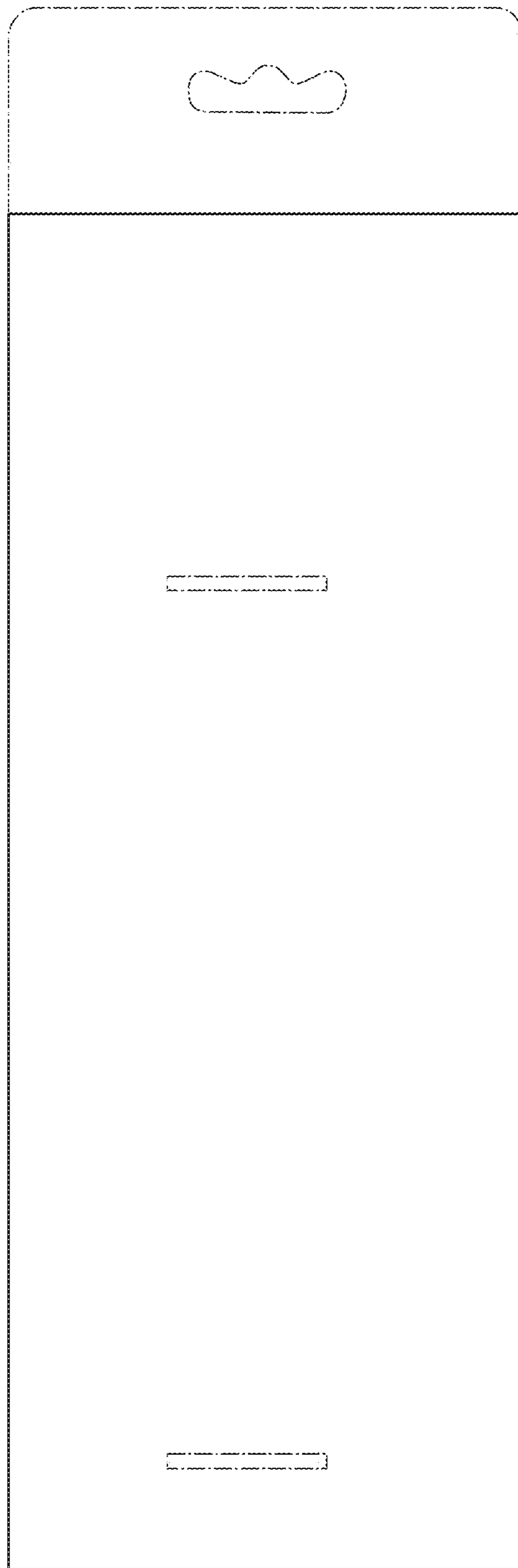


Fig. 26

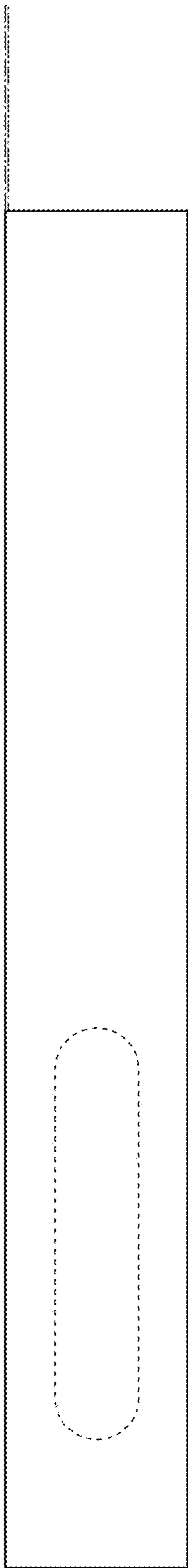


Fig. 27



Fig. 28

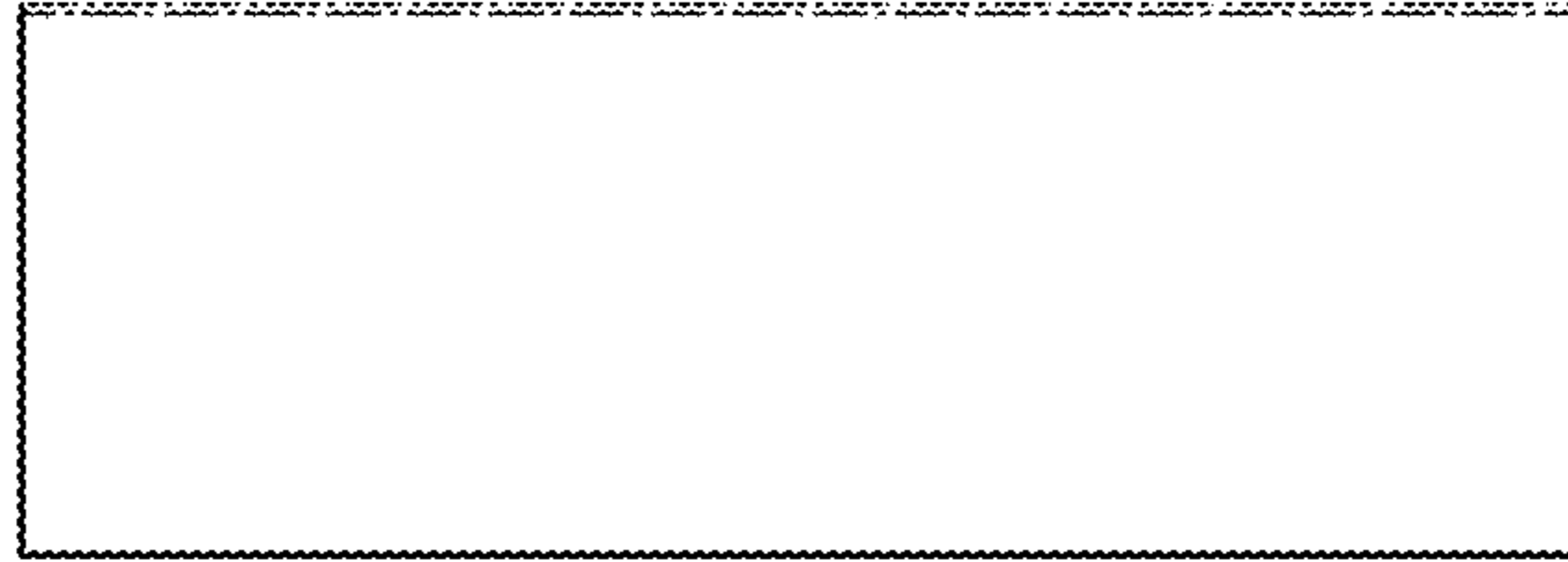


Fig. 29

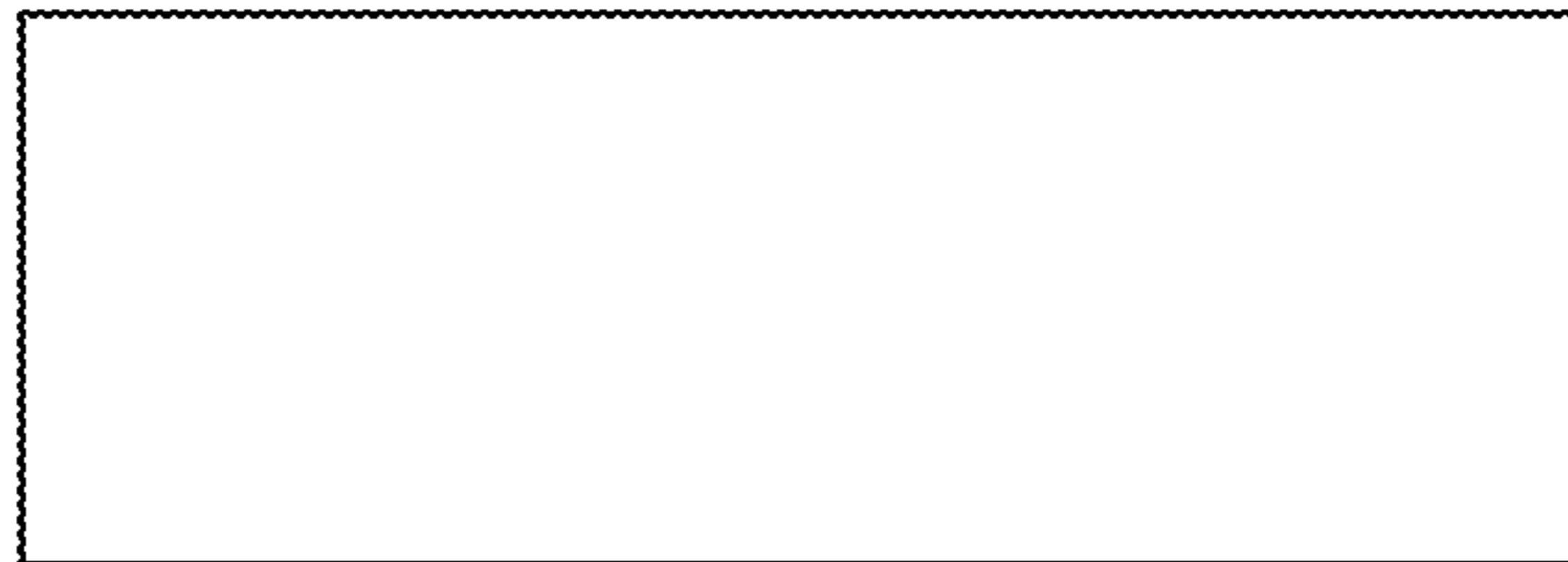


Fig. 30