



US00D934070S

(12) **United States Design Patent** (10) **Patent No.:** **US D934,070 S**
Beckmann Legorreta (45) **Date of Patent:** **** Oct. 26, 2021**

(54) **BOTTLE HOLDER**

23/0225; A47G 23/03; A47G 19/02;
A47G 19/025; A45C 11/20

(71) Applicant: **Maestro Tequilero S.A. de C.V.**,
Mexico City (MX)

See application file for complete search history.

(72) Inventor: **Juan Domingo Beckmann Legorreta**,
Mexico City (MX)

(56) **References Cited**

U.S. PATENT DOCUMENTS

(73) Assignee: **MAESTRO TEQUILERO, S.A. DE C.V.**, Mexico City (MX)

3,081,895 A * 3/1963 Siegel B65D 81/3886
215/11.6
3,085,612 A * 4/1963 Gobel A61J 9/0615
215/11.6

(**) Term: **15 Years**

(Continued)

(21) Appl. No.: **29/725,787**

Primary Examiner — Susan Bennett Hattan

Assistant Examiner — Omeed Agilee

(22) Filed: **Feb. 27, 2020**

(74) *Attorney, Agent, or Firm* — Abelman, Frayne & Schwab

(30) **Foreign Application Priority Data**

(57) **CLAIM**

Sep. 10, 2019 (MX) MX/f/2019/002494

The ornamental design for a bottle holder, as shown and described.

(51) **LOC (13) Cl.** **09-03**

DESCRIPTION

(52) **U.S. Cl.**

USPC **D9/430**

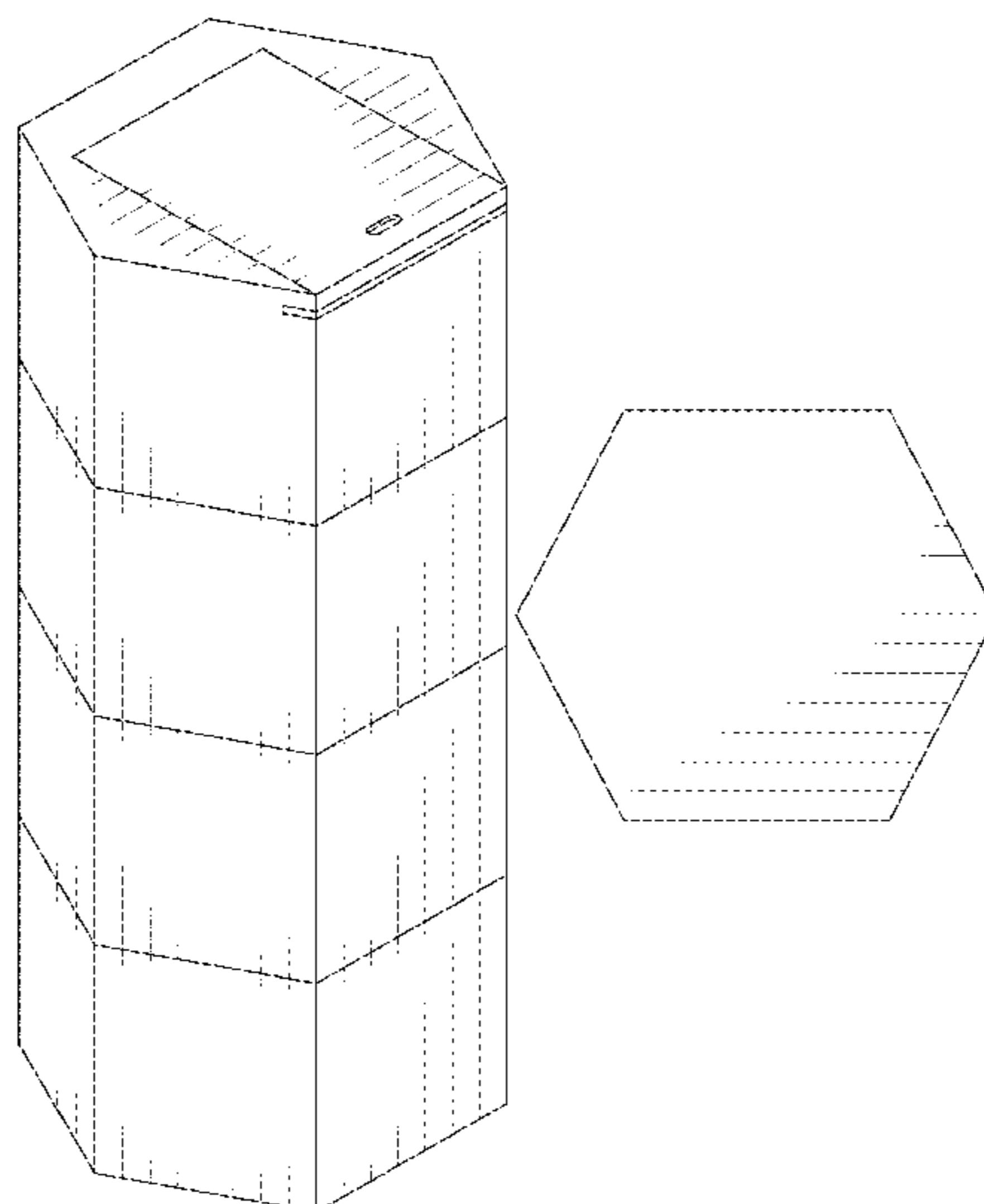
(58) **Field of Classification Search**

USPC D7/387, 388, 601, 602, 605, 607, 608,
D7/619.1, 619.2, 620, 621, 622, 623, 624,
D7/625, 701–708; D9/414–420,
D9/421–434, 442, 445, 456, 499, 542,
D9/563, 600, 614–624, 661, 635, 643,
D9/699, 707, 708, 711, 754, 759, 739;
D3/273, 276, 304, 309–313; D6/574,
D6/571, 705, 677.1

CPC . A47K 3/001; B65B 5/06; B65D 1/22; B65D
1/24; B65D 1/34; B65D 73/0035; B65D
73/0085; B65D 75/58; B65D 2543/00194;
B65D 1/36; B65D 73/0078; B65D
2543/00805; B65D 73/0042; B65D
75/225; B65D 5/00; B65D 5/001; B65D
5/0027; B65D 5/0254; B65D 5/18; B65D
5/38; B65D 5/40; B65D 5/2033; B65D
5/48024; B65D 5/6605; A47F 5/01; A47F
5/02; A47F 7/0064; A47G 23/0216; A47G

FIG. 1 is a front, left, and top perspective view of a bottle holder showing my new design;
FIG. 2 is a front view thereof;
FIG. 3 is a rear view thereof;
FIG. 4 is a left side view thereof; the right side view being identical thereto;
FIG. 5 is a top view thereof;
FIG. 6 is a bottom view thereof;
FIG. 7 is a front, left, and top perspective view thereof in which the intermediate boxes are rotated with respect to the top and bottom boxes, and in which the slidable lid is in an open position;
FIG. 8 is a front view thereof;
FIG. 9 is a rear view thereof;
FIG. 10 is a left side view thereof; the right side view being a mirrored copy thereof;
FIG. 11 is a top view thereof; and,
FIG. 12 is a bottom view thereof.

1 Claim, 10 Drawing Sheets



(56)

References Cited

U.S. PATENT DOCUMENTS

3,157,303 A * 11/1964 Siegel A61J 9/0638
374/116
D252,372 S * 7/1979 Macaulay D7/622
D324,823 S * 3/1992 Scarpa D9/430
D362,784 S * 10/1995 Sperry D11/155
5,456,436 A * 10/1995 Faudie B60N 3/103
220/737
D373,531 S * 9/1996 Cooksey D9/430
D546,631 S * 7/2007 Carey D7/625
D577,269 S * 9/2008 Ropek D7/703
D628,884 S * 12/2010 Smith D9/430
D662,784 S * 7/2012 Fleck D7/607
D672,645 S * 12/2012 Giannini D9/430
D756,037 S * 5/2016 Schlatter D28/85
D818,213 S * 5/2018 Funari D30/160
D906,802 S * 1/2021 Chi D9/430

* cited by examiner

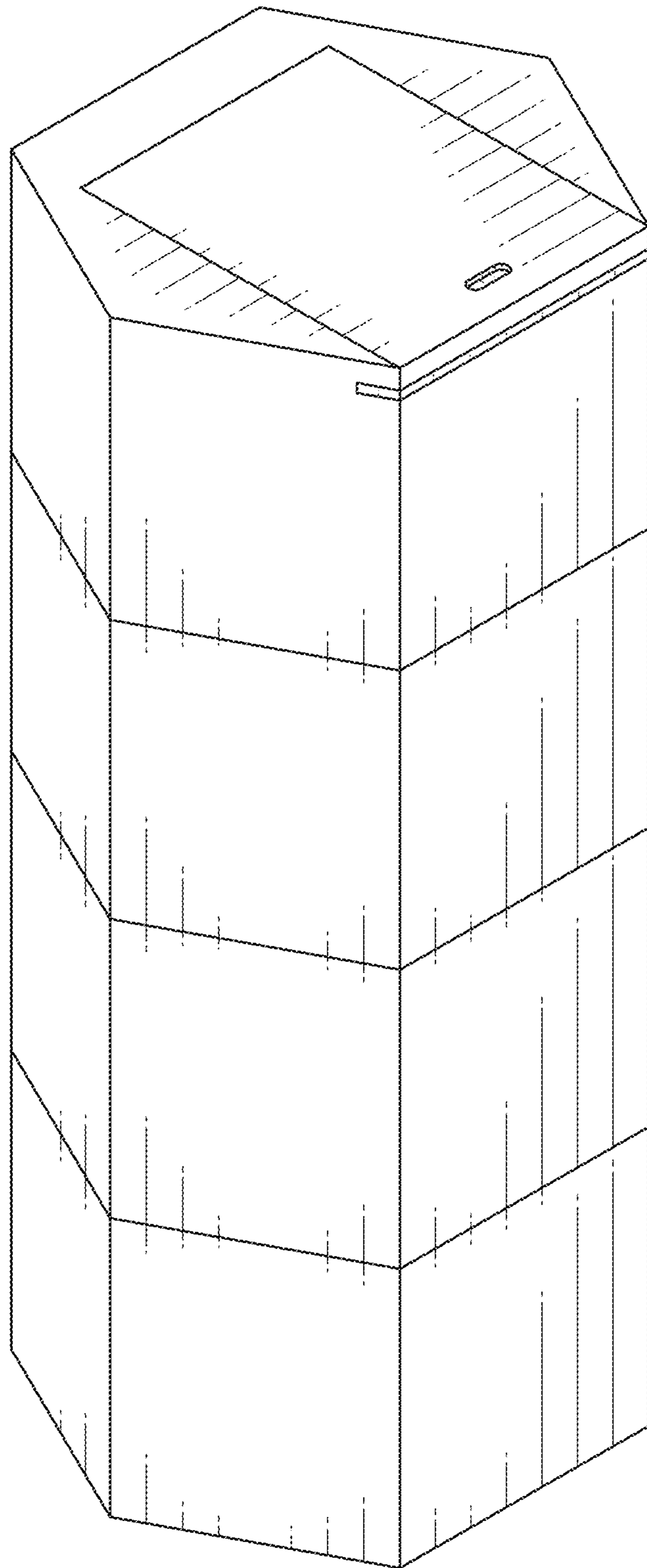


FIG. 1

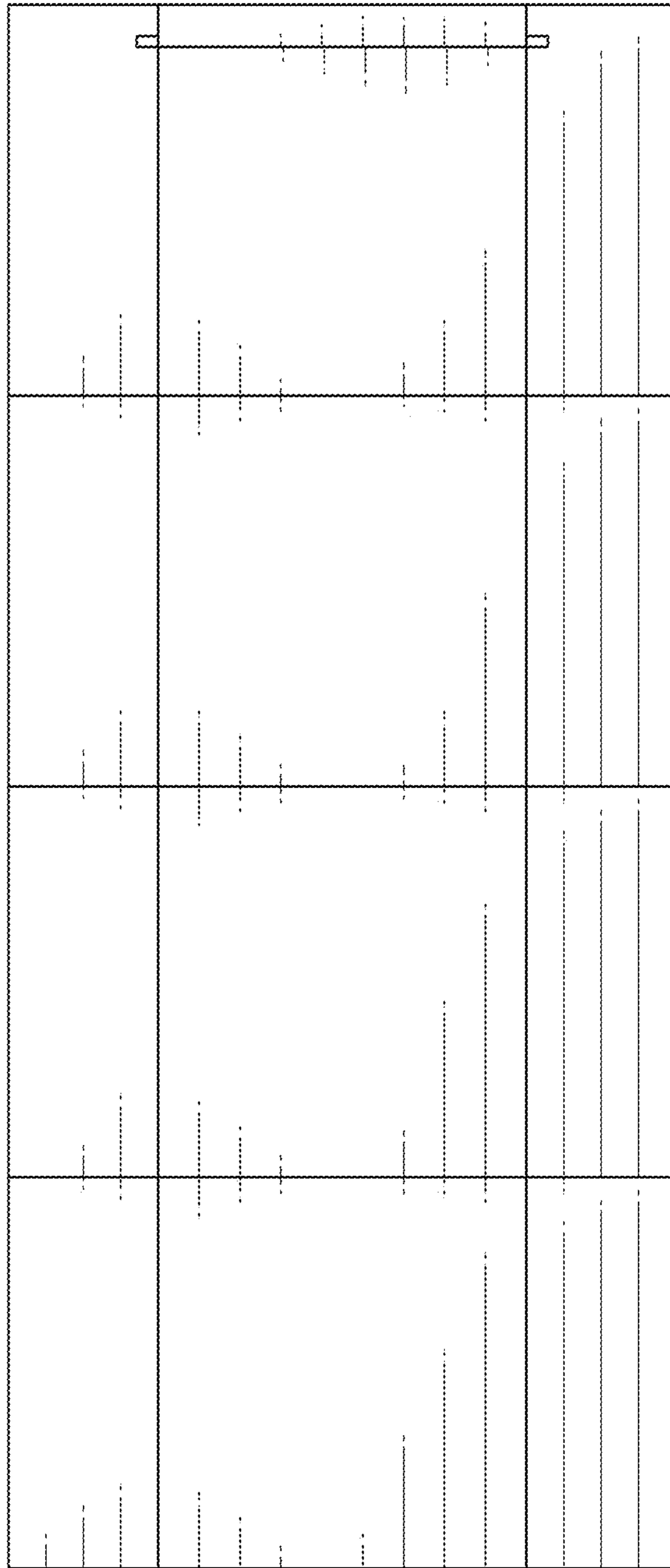


FIG. 2

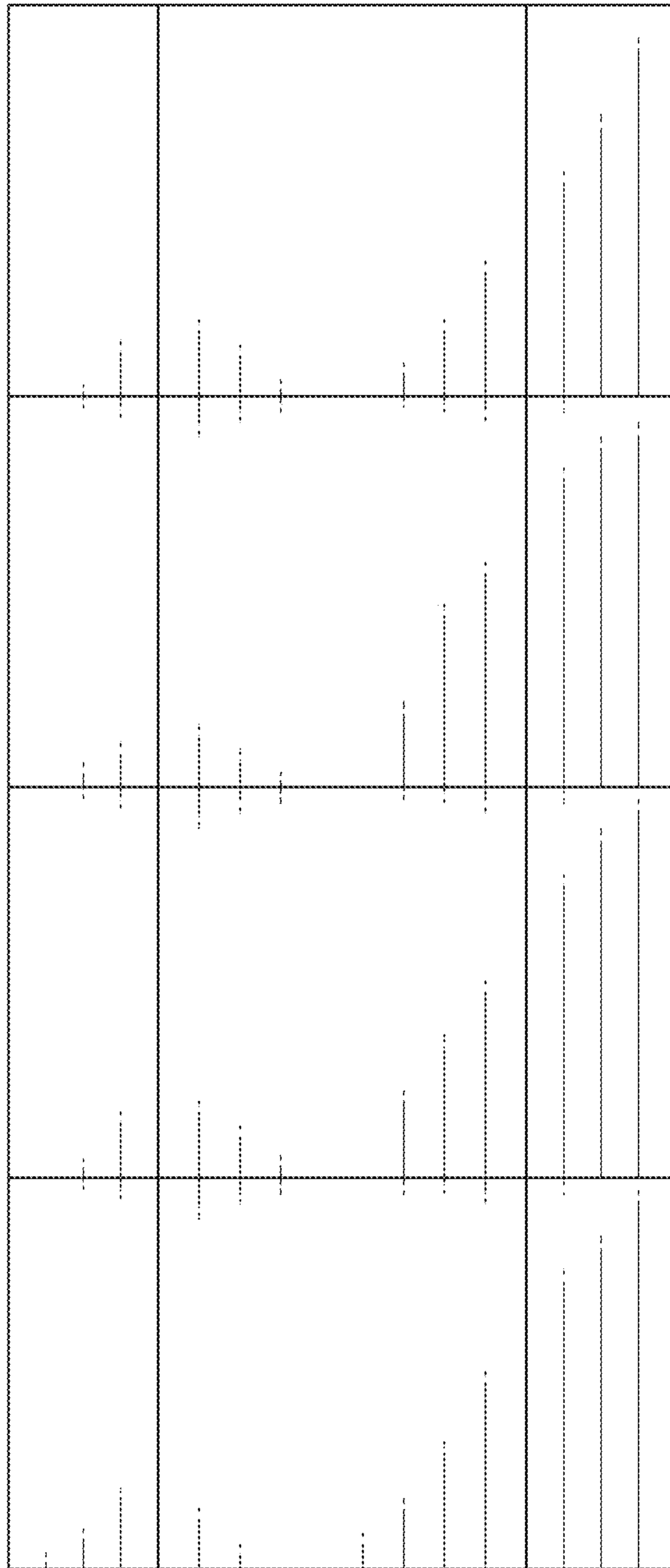


FIG. 3

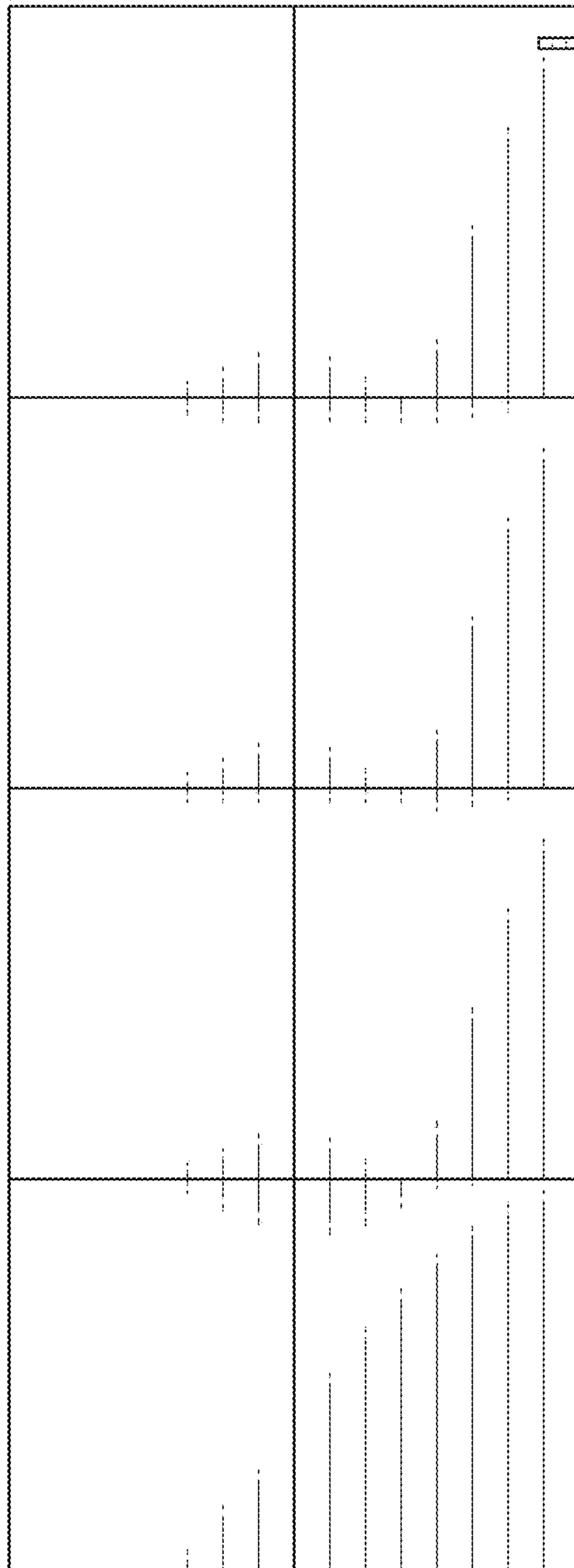


FIG. 4

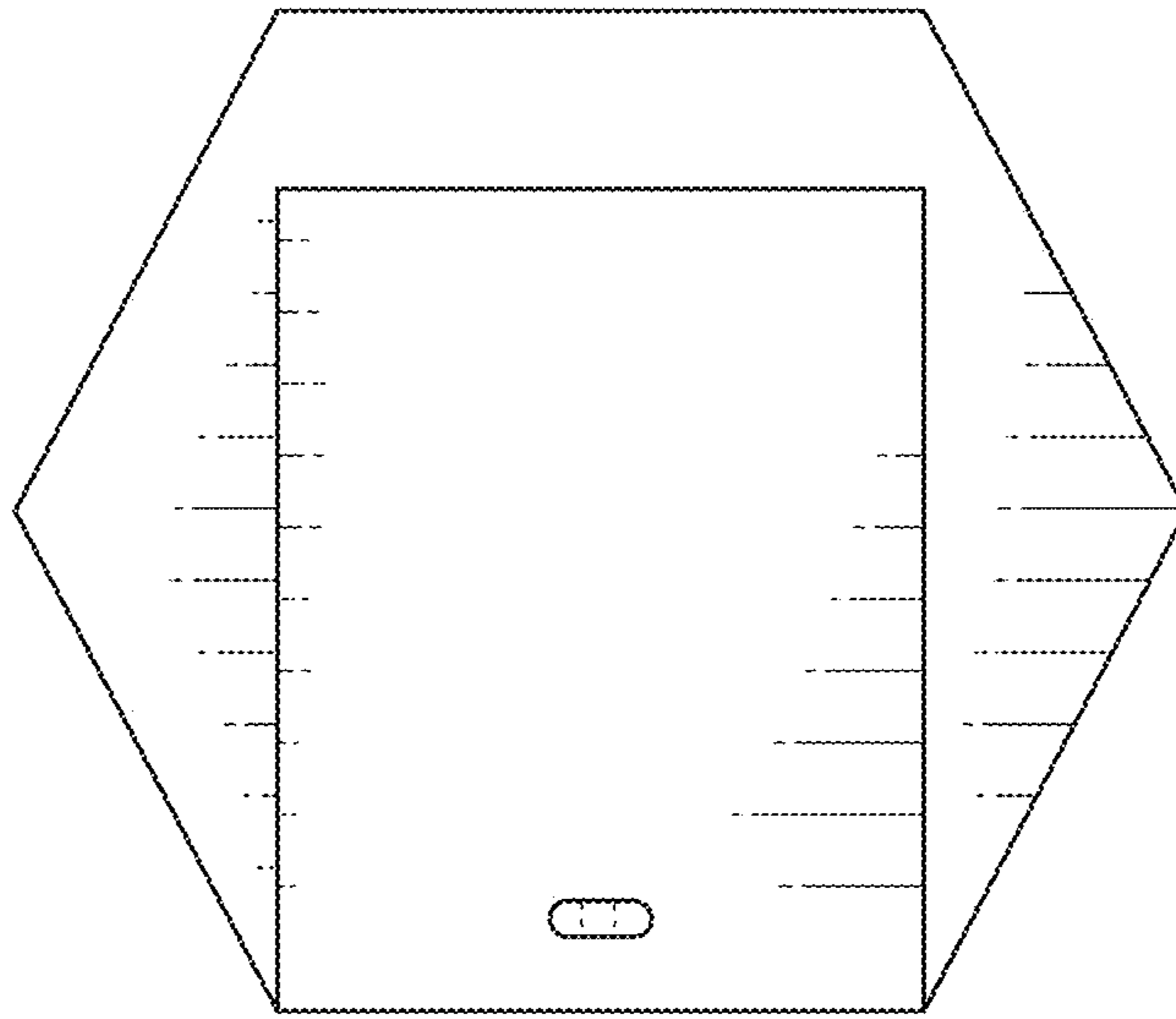


FIG. 5

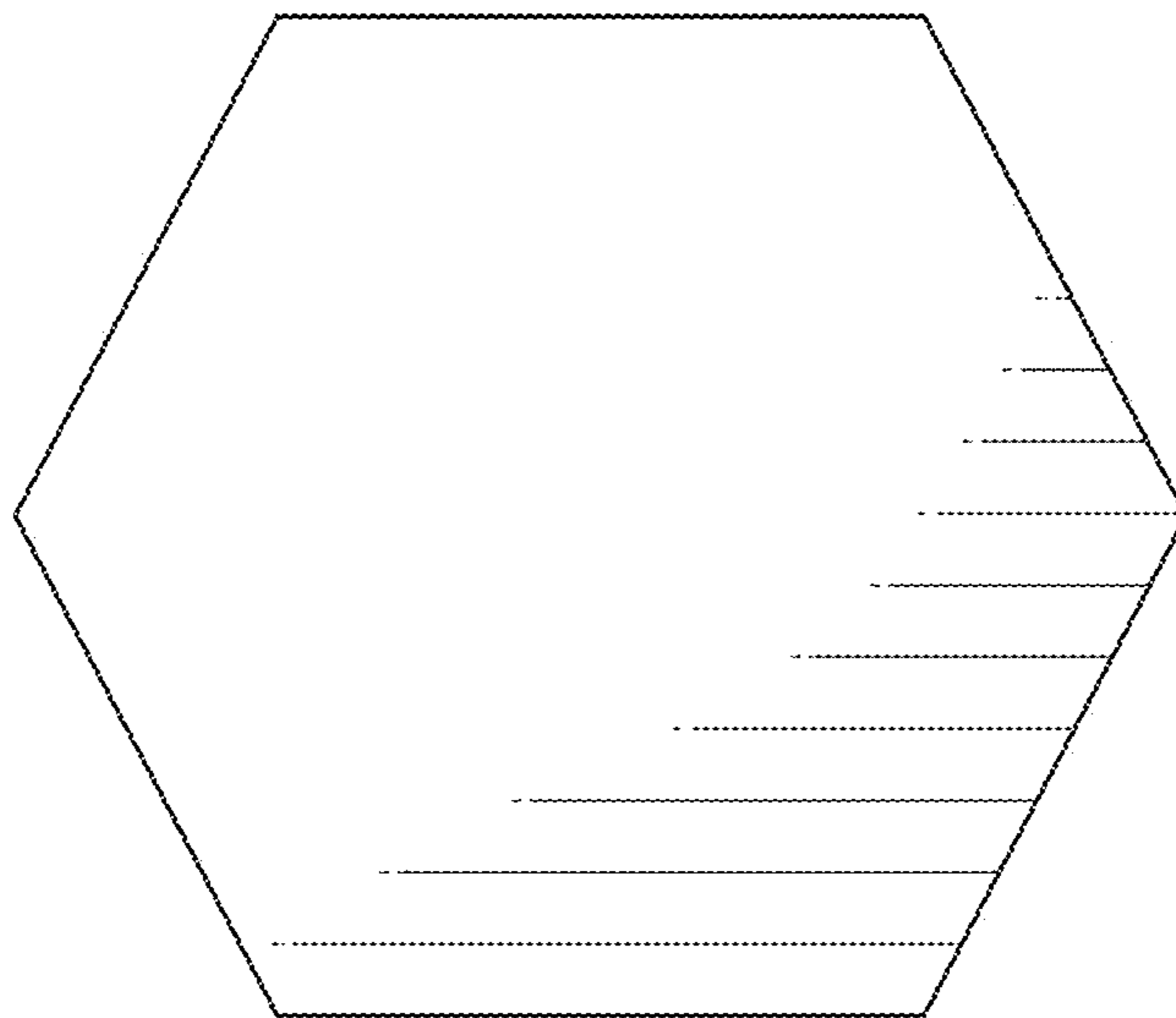


FIG. 6

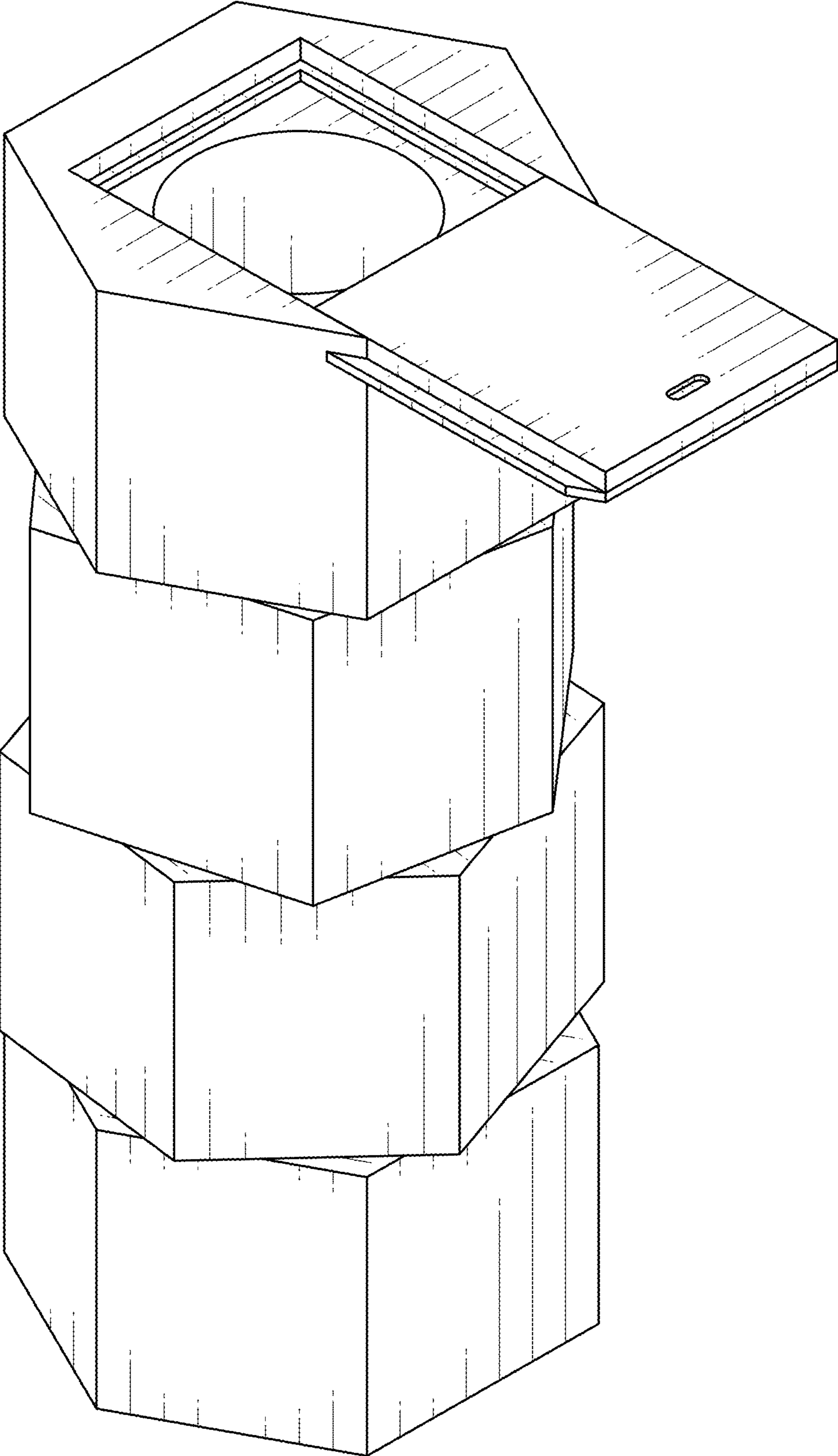


FIG. 7

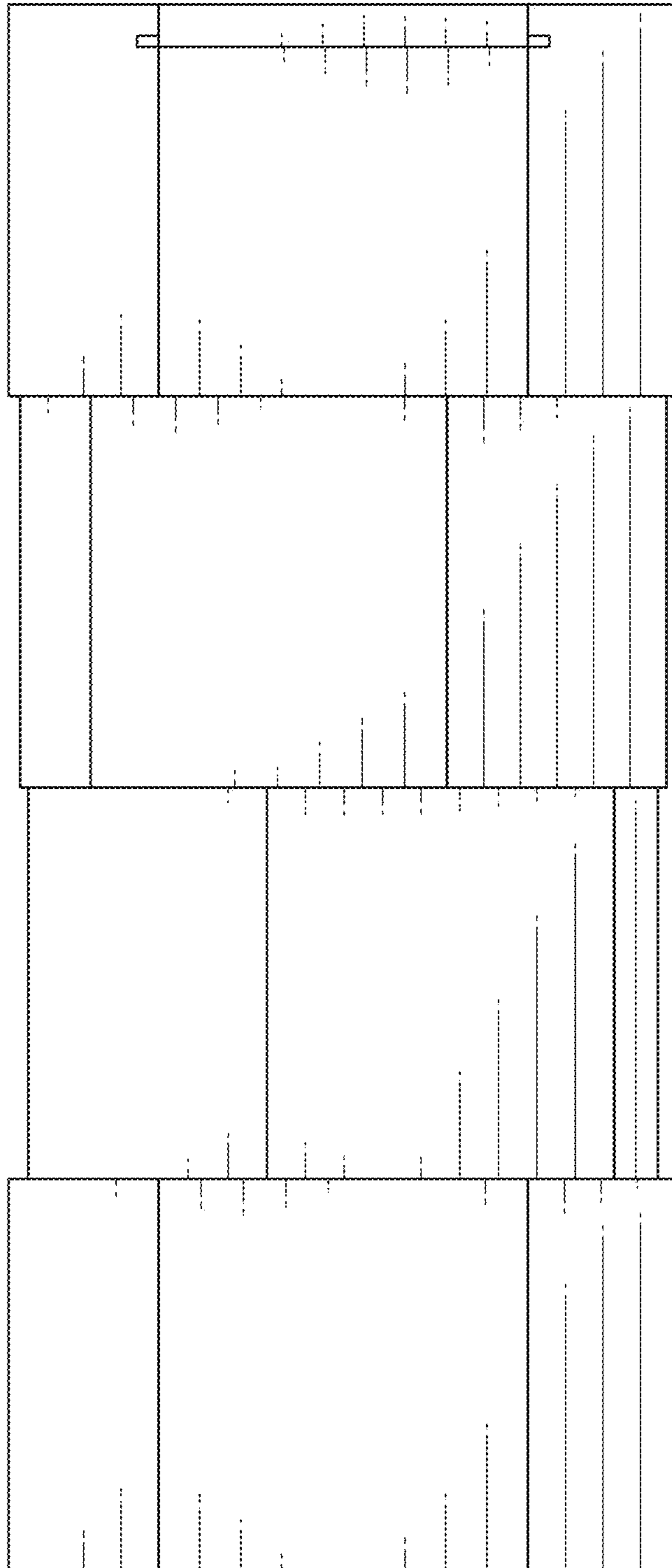


FIG. 8

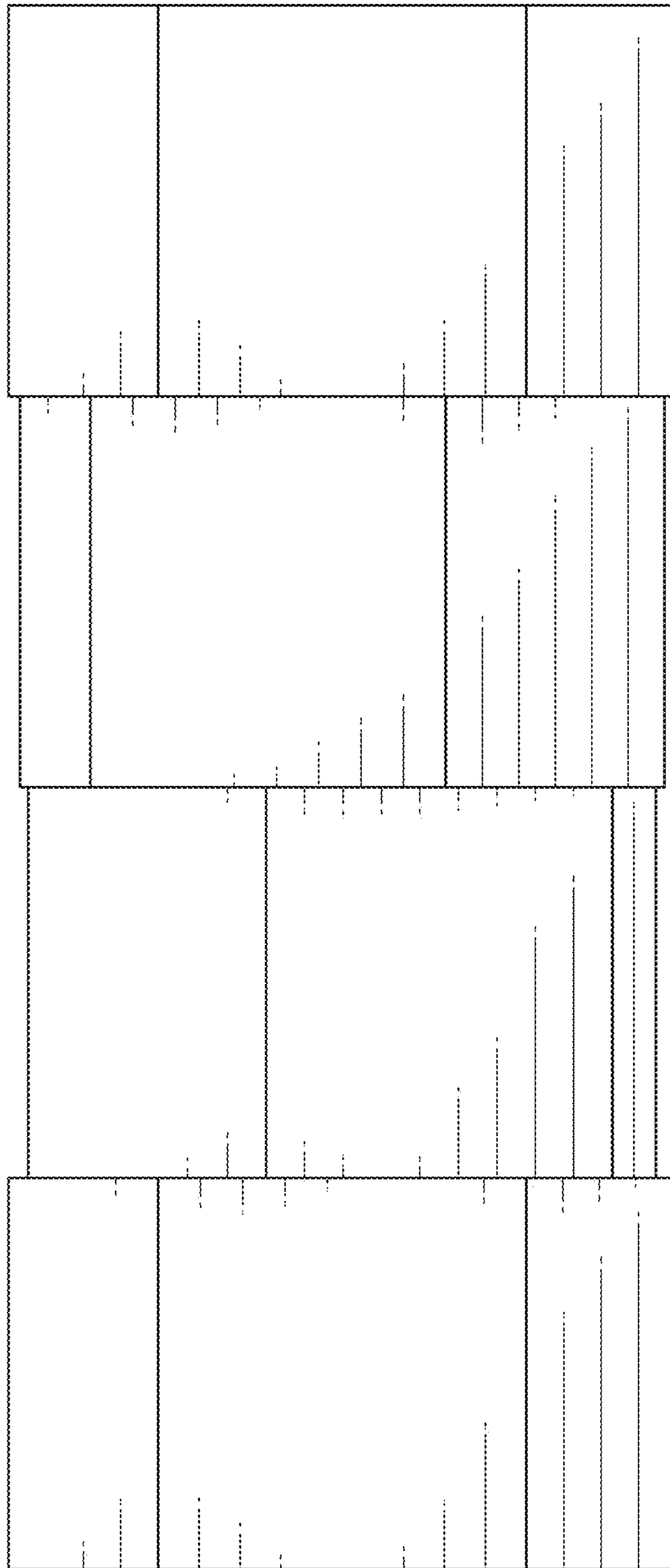


FIG. 9

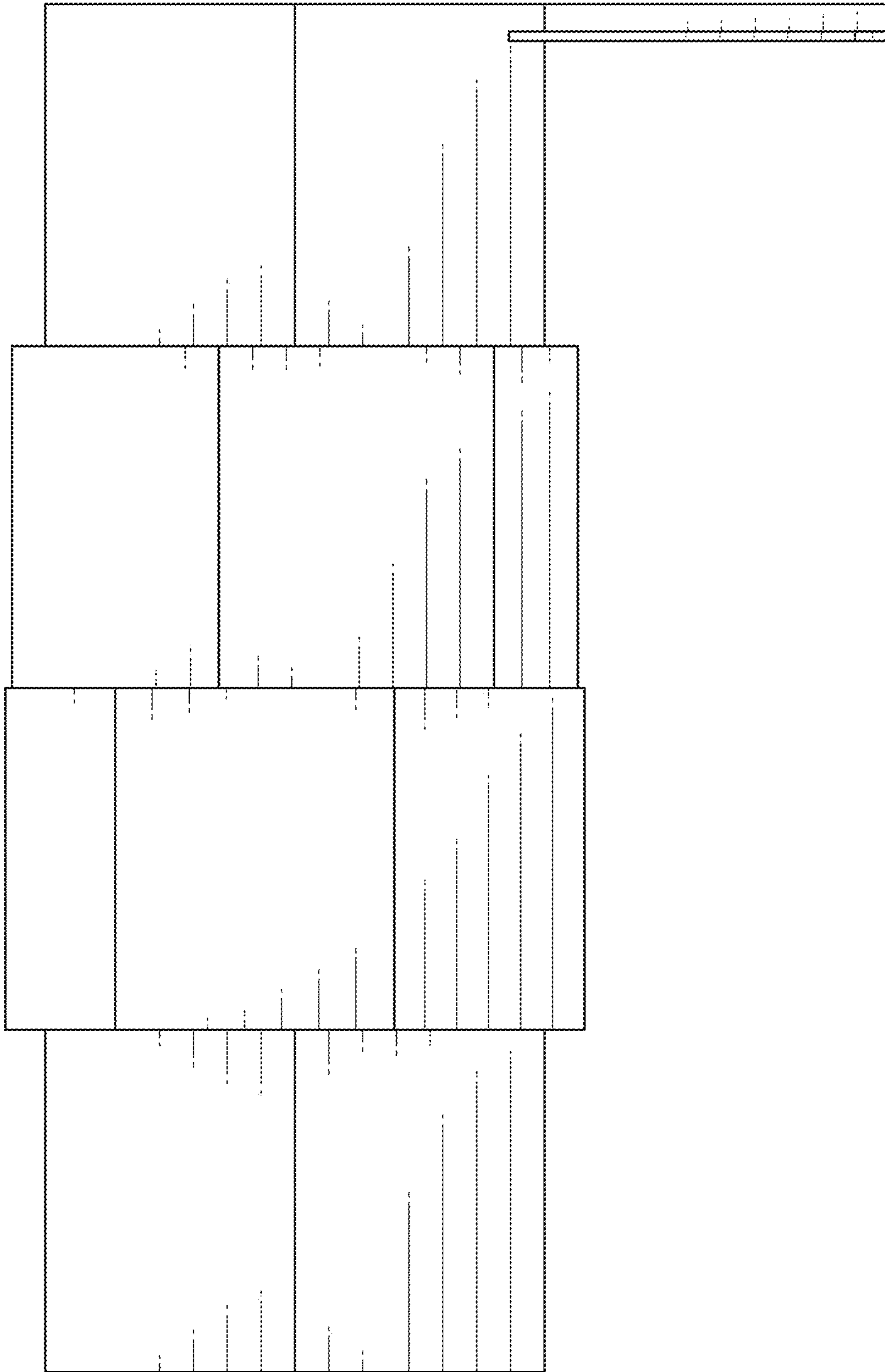


FIG. 10

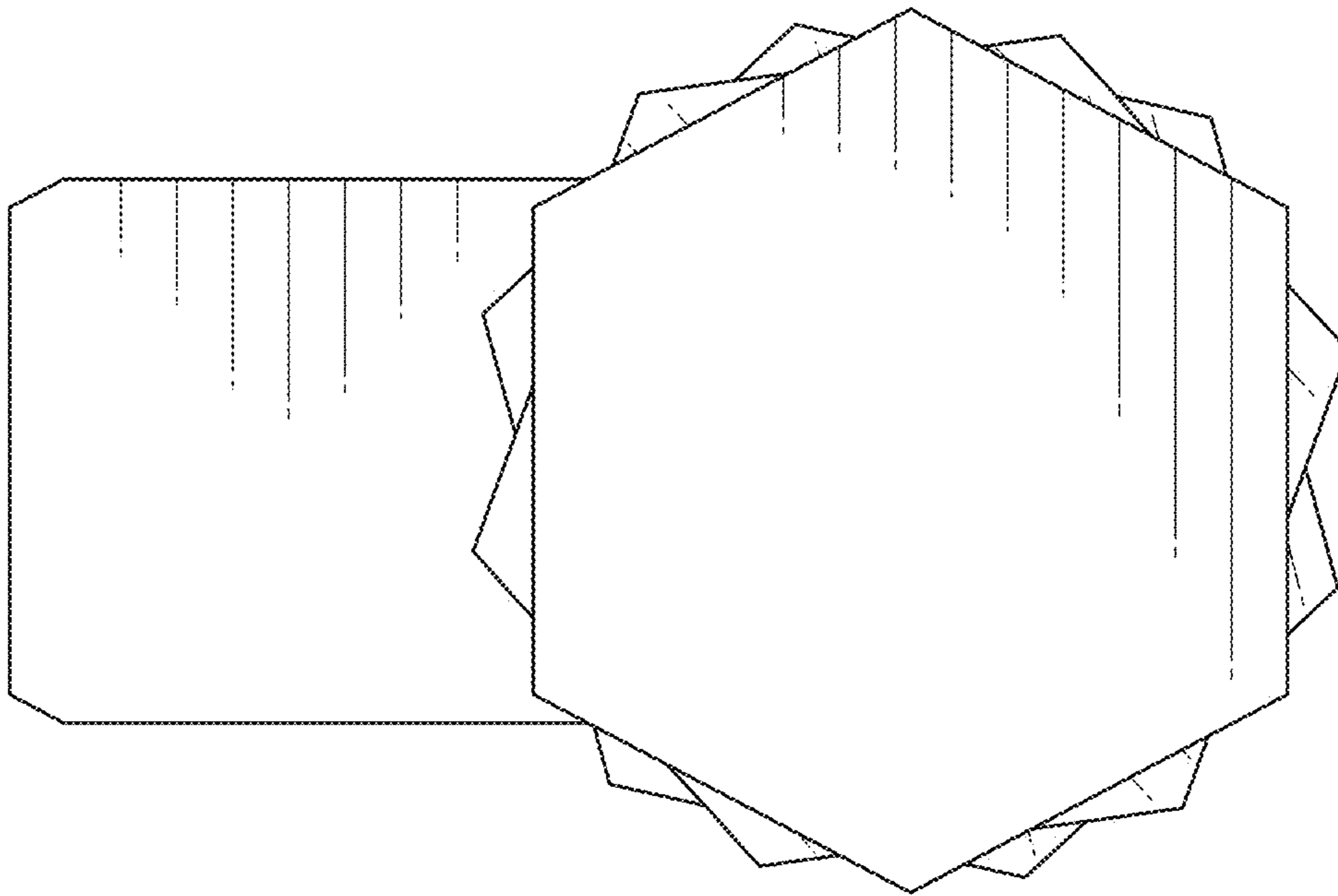


FIG. 12

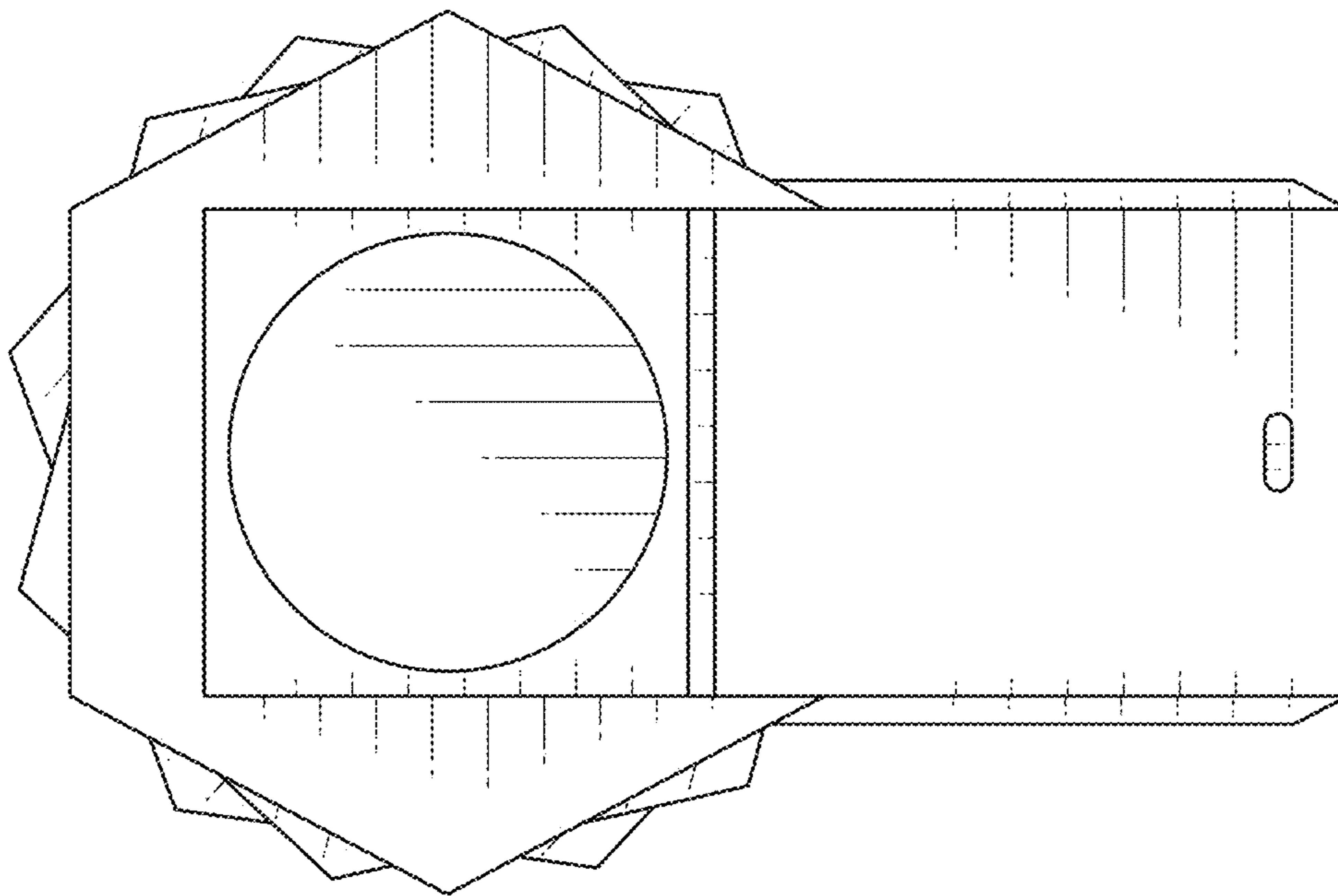


FIG. 11