



US00D934069S

(12) **United States Design Patent** (10) **Patent No.:** **US D934,069 S**
Cook et al. (45) **Date of Patent:** **** Oct. 26, 2021**

(54) **PACKAGING** 3,937,219 A 2/1976 Karakashian
4,015,709 A 4/1977 Millet
(71) Applicant: **Regeneron Pharmaceuticals, Inc.,** 4,106,621 A 8/1978 Sorenson
Tarrytown, NY (US) 4,184,593 A 1/1980 Dorr
D304,157 S 10/1989 Holewinski
(72) Inventors: **Andrew Cook**, Troy, NY (US); **Victor** 5,082,112 A * 1/1992 Dunklee A61B 1/00142
Bradford, Troy, NY (US) 206/363
5,246,109 A 9/1993 Markle
(73) Assignee: **Regeneron Pharmaceuticals, Inc.,**
Tarrytown, NY (US) (Continued)

(**) Term: **15 Years**
(21) Appl. No.: **29/763,642**
(22) Filed: **Dec. 23, 2020**

FOREIGN PATENT DOCUMENTS
EP 1293222 B1 3/2003
GB 2079751 6/1998
(Continued)

OTHER PUBLICATIONS
International Search Report for PCT/US2020/044058, dated Nov. 3, 2020.

Related U.S. Application Data
(63) Continuation of application No. 29/699,793, filed on Jul. 29, 2019, now Pat. No. Des. 906,102.
(51) **LOC (13) Cl.** **09-03**
(52) **U.S. Cl.**
USPC **D9/424; D9/737**
(58) **Field of Classification Search**
USPC D9/415, 418, 424, 732; D24/229
CPC B65D 75/327; B65D 75/36; B65D 75/366;
B65D 75/367; B65D 75/32; B65D
2575/3245; B65D 75/326; B65D
2575/366; B65D 2585/88; B65D 75/322;
B65D 77/2032; B65D 5/4204; B65D
75/22; B65D 77/0413; B65D 5/4208;
B65D 77/02; B65D 25/22; B65D
75/5833; B65D 85/00; B65D 2543/00194;
B65D 2301/20; B65D 2575/3218; B65D
73/0007; B65D 73/0042
See application file for complete search history.

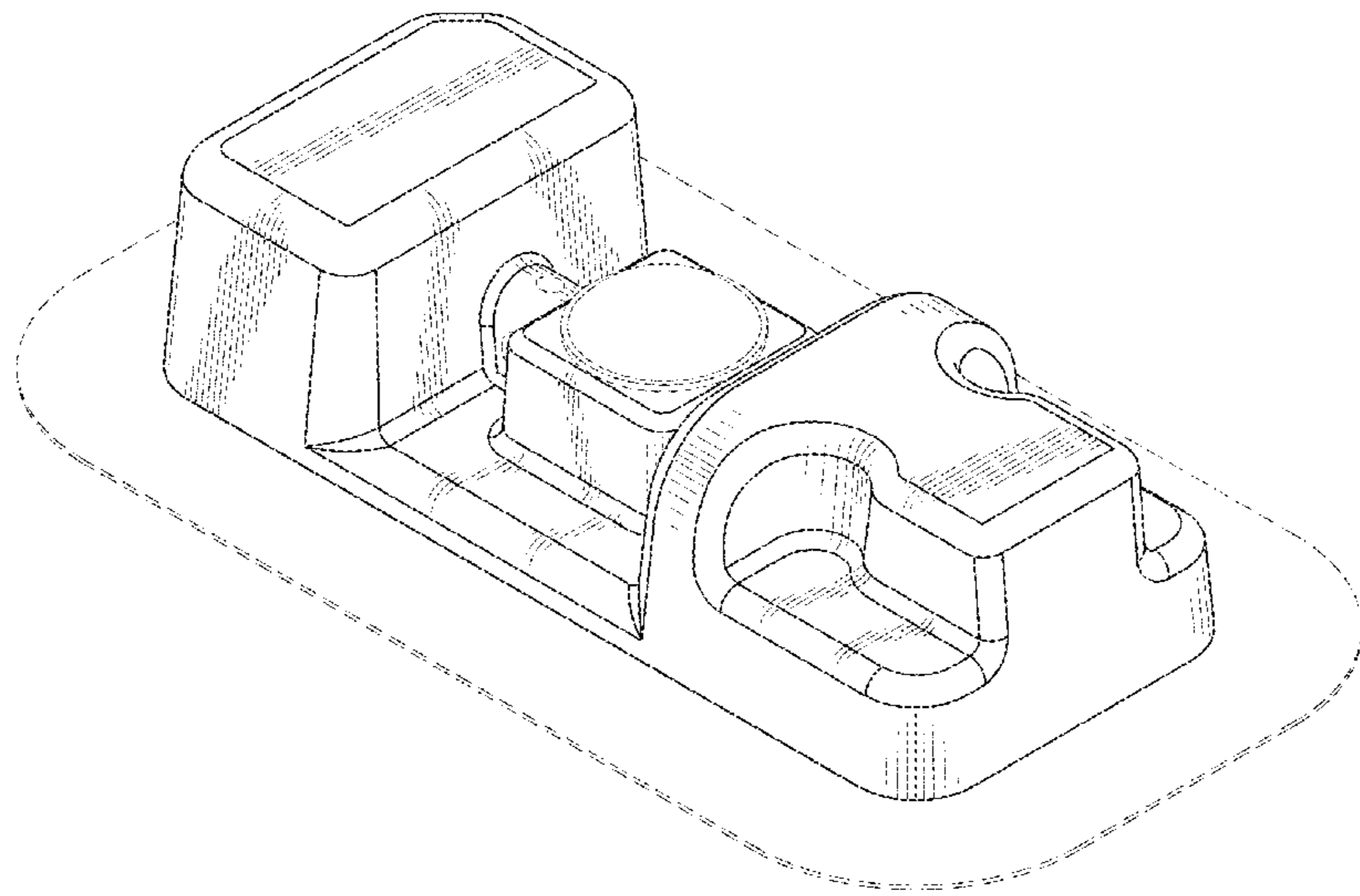
Primary Examiner — Lauren R Calve
(74) *Attorney, Agent, or Firm* — Bookoff McAndrews, PLLC

(57) **CLAIM**
The ornamental design for packaging, as shown and described.

DESCRIPTION
FIG. 1 is a bottom, rear, right perspective view of packaging showing our new design;
FIG. 2 is a bottom, rear, left perspective view thereof;
FIG. 3 is a front elevation view thereof;
FIG. 4 is a rear elevation view thereof;
FIG. 5 is a left side view thereof;
FIG. 6 is a right side view thereof;
FIG. 7 is a top plan view thereof; and,
FIG. 8 is a bottom view thereof;
The broken lines of even length shown in the drawings illustrate portions of the packaging that form no part of the claimed design.

(56) **References Cited**
U.S. PATENT DOCUMENTS
3,075,639 A 1/1963 Lingley
3,403,714 A 10/1968 Hulm

1 Claim, 5 Drawing Sheets



(56)

References Cited

U.S. PATENT DOCUMENTS

5,353,929 A 10/1994 Foster
 5,379,895 A 1/1995 Foslien
 5,386,908 A 2/1995 Sinn
 5,390,792 A * 2/1995 Van Ness A61L 2/26
 206/213.1
 5,392,909 A * 2/1995 Hackett B65D 75/328
 206/321
 5,407,070 A 4/1995 Bascos
 D430,015 S 8/2000 Himbert et al.
 6,228,324 B1 5/2001 Hasegawa
 6,915,901 B2 7/2005 Feinberg et al.
 6,994,213 B2 2/2006 Giard, Jr. et al.
 D578,873 S 10/2008 Plumer
 7,954,636 B2 6/2011 Vincent-Aubry
 D661,188 S 6/2012 Fahy
 D700,508 S 3/2014 Trontel
 8,727,117 B2 5/2014 Maasarani
 8,734,420 B2 * 5/2014 Ariagno A61J 1/2089
 604/414
 9,144,465 B2 9/2015 Hunkeler et al.
 9,248,229 B2 2/2016 Devouassoux et al.
 D750,502 S 3/2016 Kirchmayr et al.
 D751,726 S 3/2016 Nishioka
 D774,885 S * 12/2016 Moskovich D9/415
 D780,566 S * 3/2017 Hubner D9/415
 D781,696 S * 3/2017 Hubner D9/415
 D788,936 S 6/2017 Schill et al.
 D788,937 S 6/2017 Schill et al.
 D809,911 S 2/2018 Moskovich
 10,172,682 B2 * 1/2019 Van Der Raad-Meijer
 A61B 50/33

D873,131 S 1/2020 Watanabe
 10,577,165 B2 3/2020 Sadowski
 10,653,850 B2 * 5/2020 Ward A61M 5/326
 D895,145 S * 9/2020 Smith D24/229
 D906,102 S * 12/2020 Cook D9/424
 D918,032 S * 5/2021 Smith D9/425
 2009/0012496 A1 1/2009 Tennican
 2010/0181218 A1 7/2010 Beccaro et al.
 2013/0178759 A1 7/2013 Karpiloff
 2014/0215976 A1 8/2014 Maasarani
 2015/0105734 A1 4/2015 Bryant
 2016/0375199 A1 12/2016 Ward et al.
 2017/0008686 A1 1/2017 Tanoguchi
 2017/0128662 A1 5/2017 Schill et al.
 2017/0143893 A1 5/2017 Hasumi et al.
 2017/0182240 A1 6/2017 Kerschbaumer et al.
 2017/0367780 A1 12/2017 Van Der Raad-Meijer et al.
 2017/0369198 A1 12/2017 Levy
 2018/0015217 A1 1/2018 Hasumi
 2018/0085515 A1 3/2018 Mide et al.
 2018/0311027 A1 * 11/2018 Distefano A61B 17/865
 2020/0171244 A1 6/2020 Weikart et al.

FOREIGN PATENT DOCUMENTS

JP 11334757 12/1999
 JP 1233133 3/2005
 JP 1250610 9/2005
 JP 1256931 11/2005
 WO 9838109 A1 9/1998
 WO 2014004348 A1 1/2014
 WO 2014187779 A1 11/2014
 WO 2017158801 A1 9/2017

* cited by examiner

FIG. 1

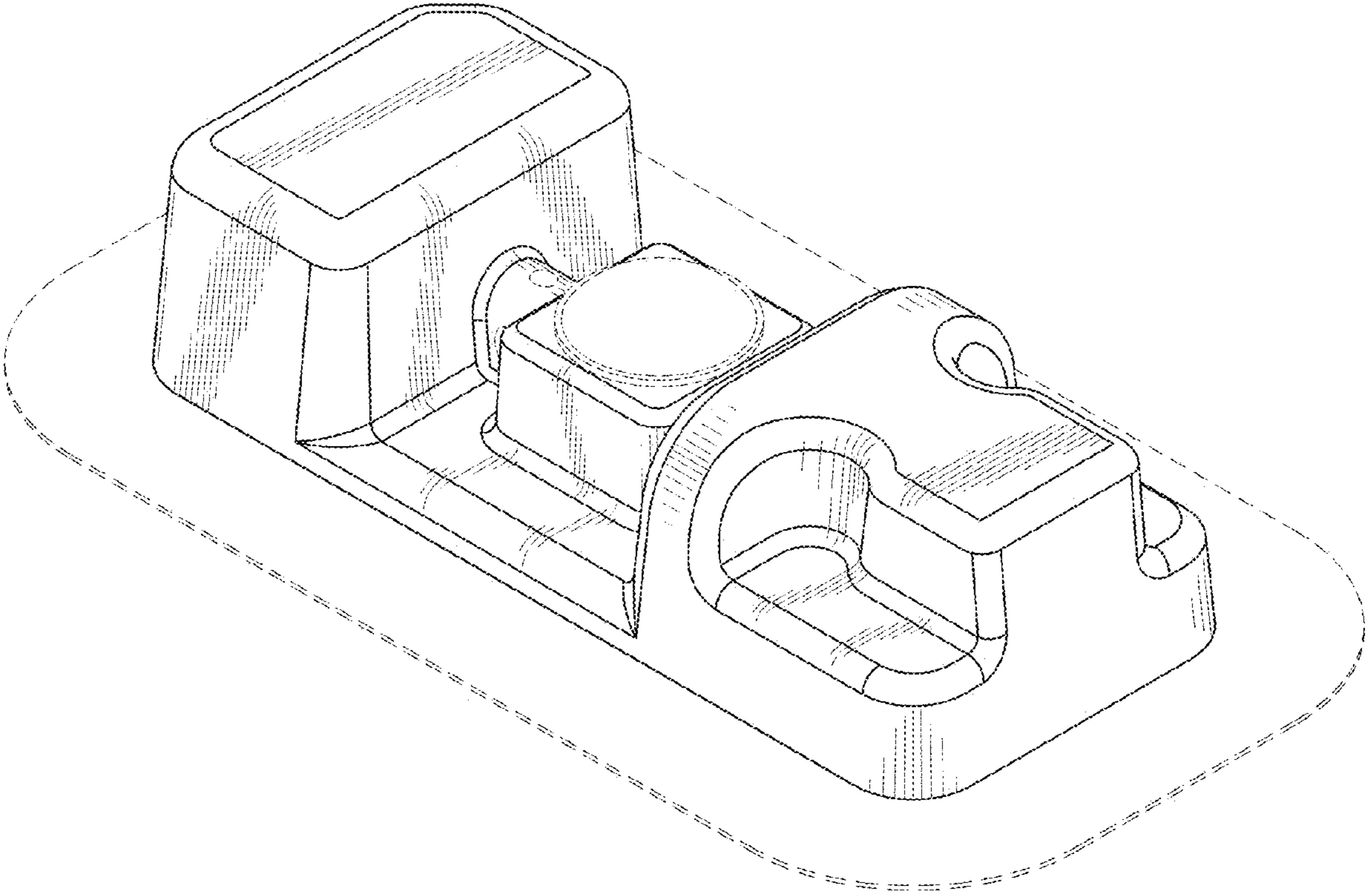


FIG. 2

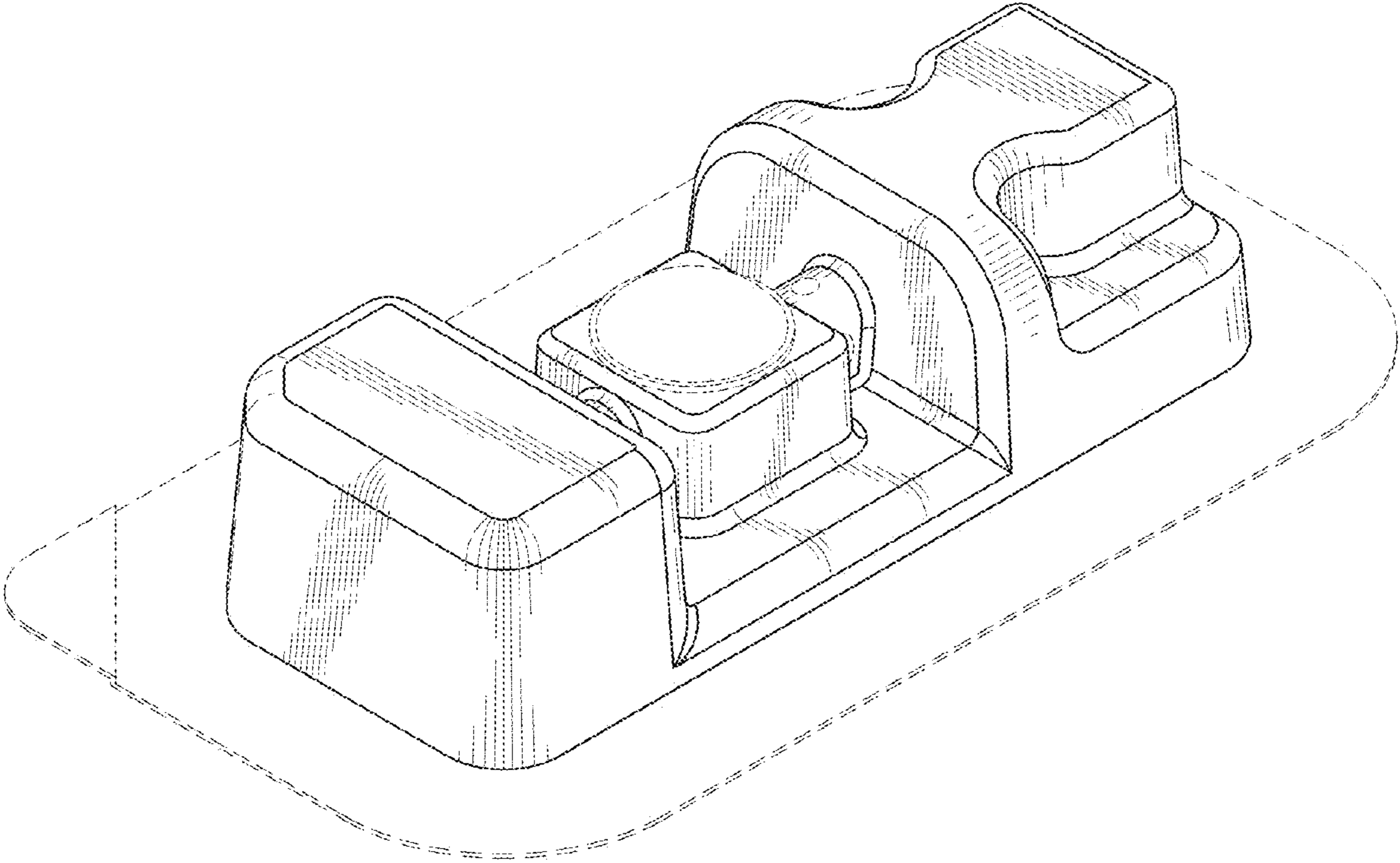


FIG. 3

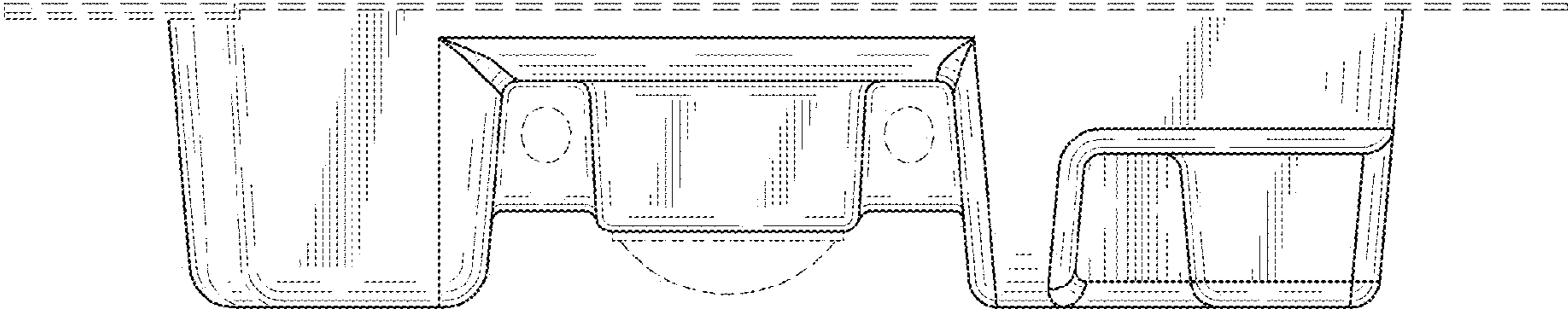


FIG. 4

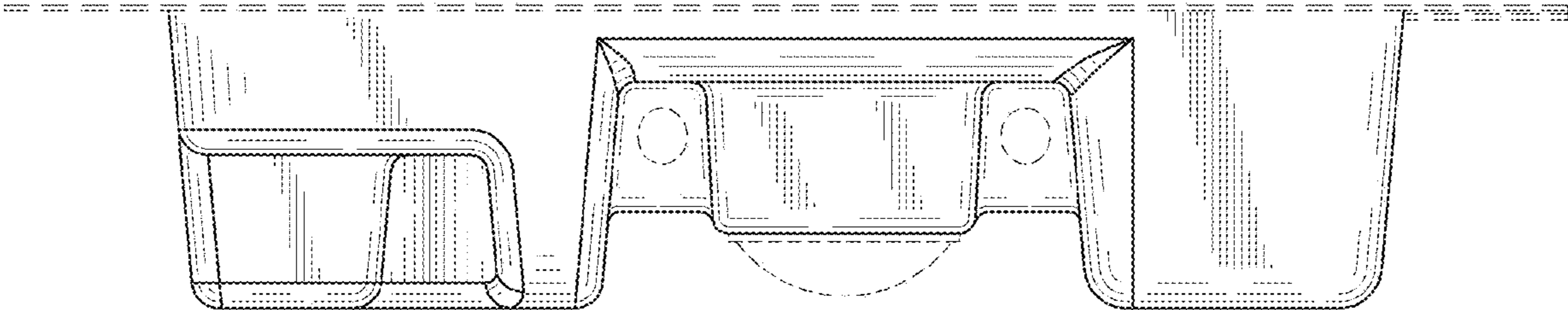


FIG. 5

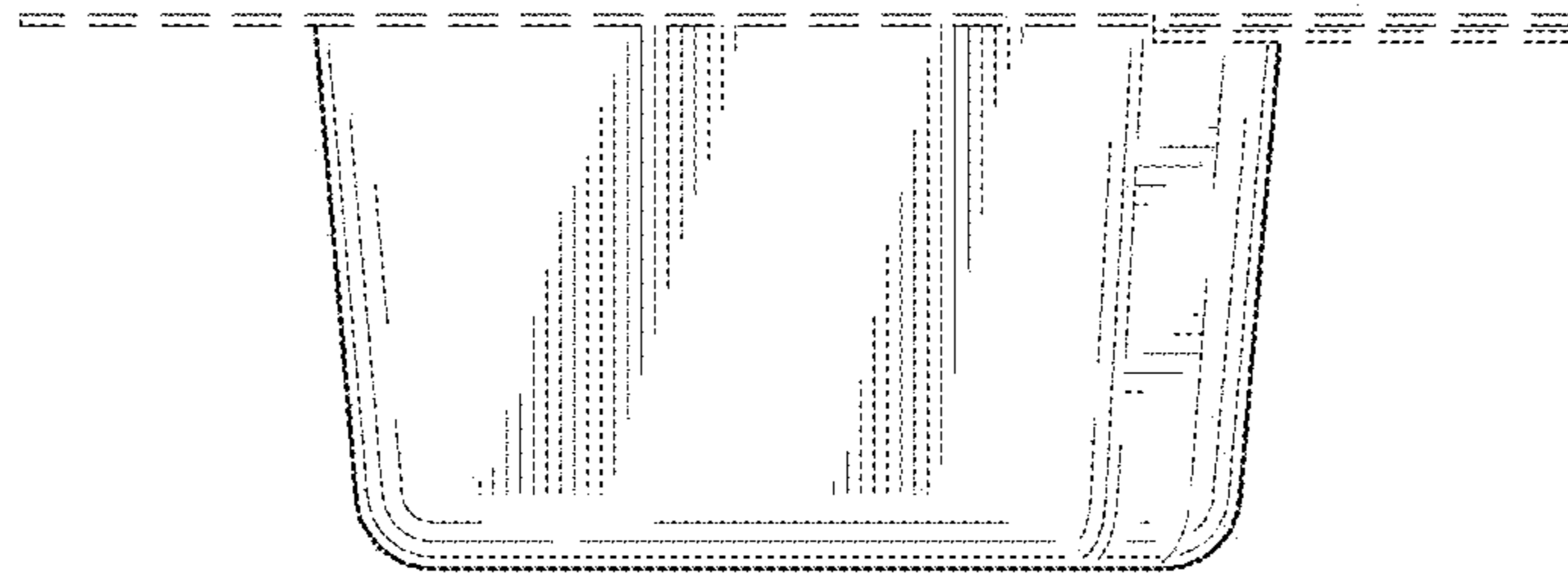


FIG. 6

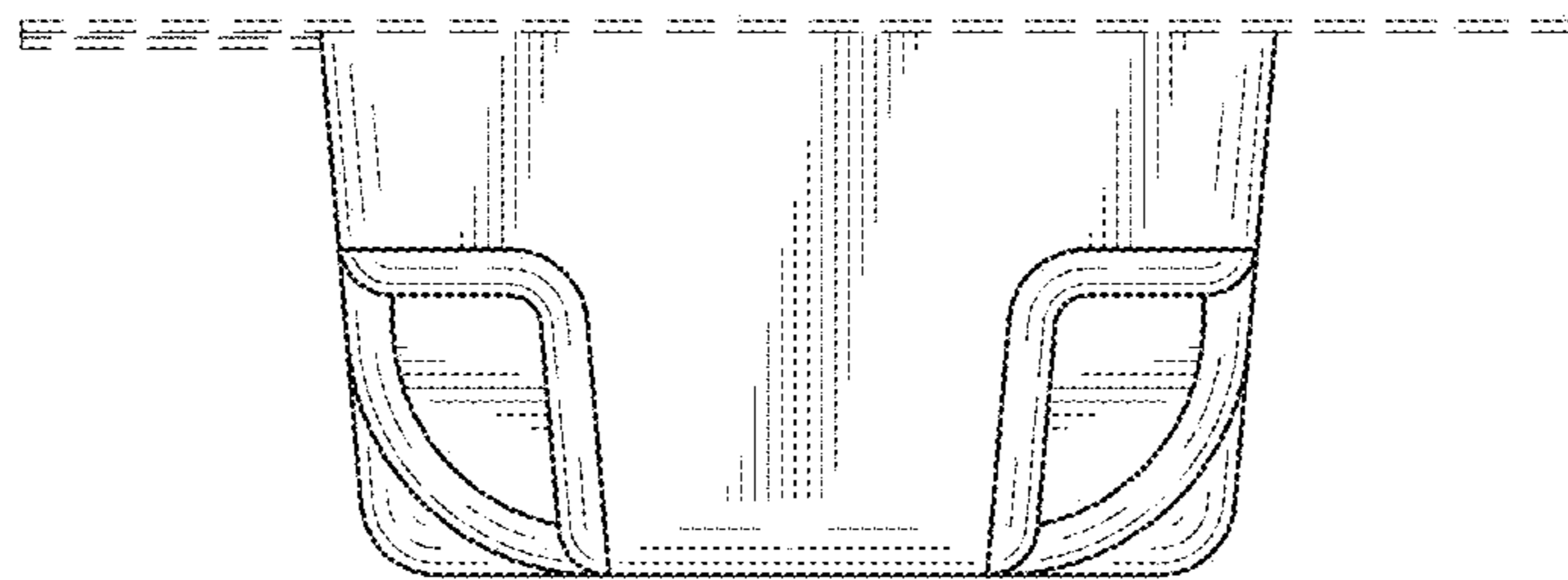


FIG. 7

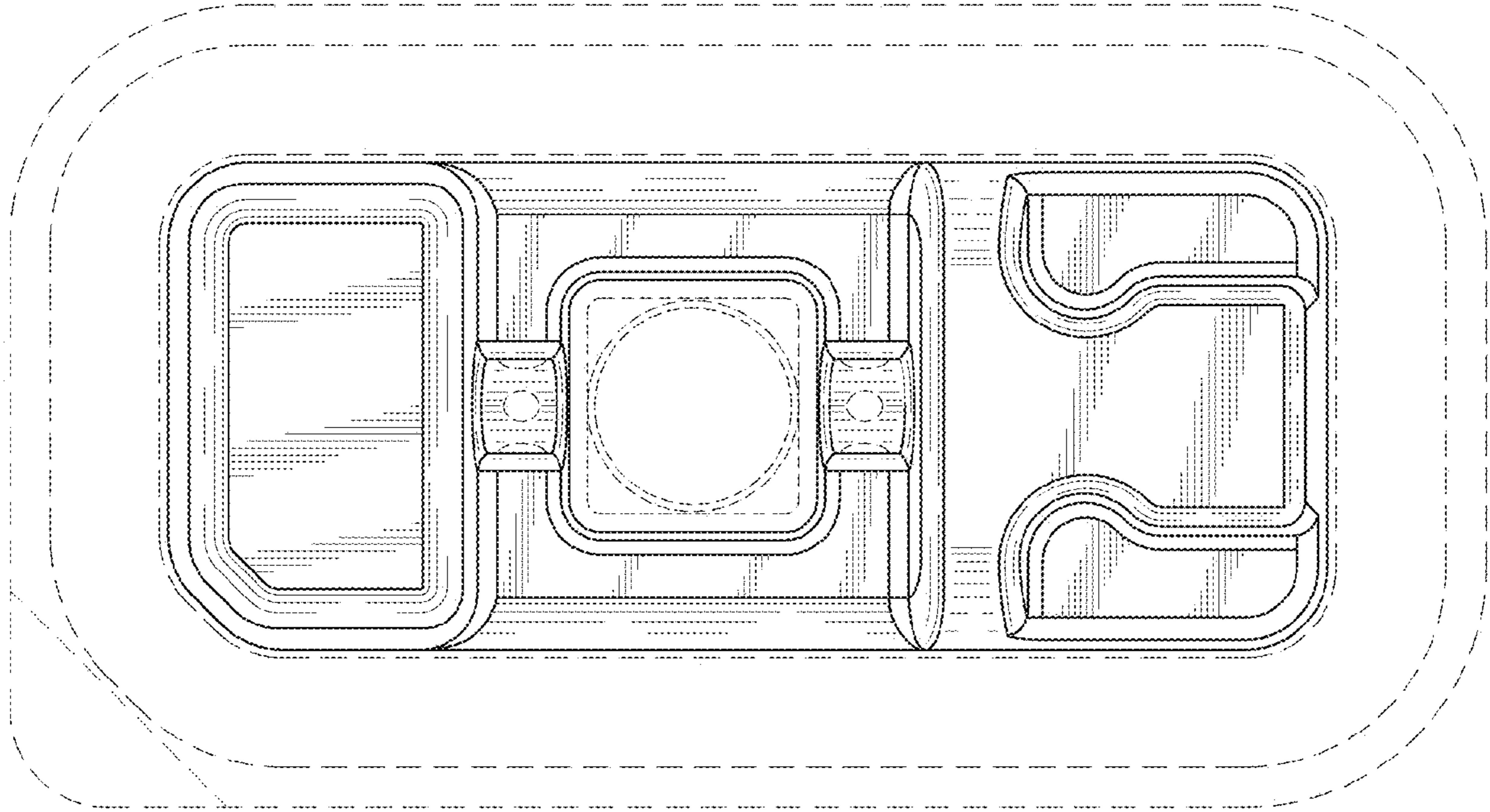


FIG. 8

