



US00D934067S

(12) **United States Design Patent** (10) **Patent No.:** **US D934,067 S**
Purkey et al. (45) **Date of Patent:** **** Oct. 26, 2021**

(54) **FOOD PACKAGE**

(71) Applicant: **Sargento Foods Inc.**, Plymouth, WI (US)

(72) Inventors: **Todd Purkey**, Elkhart Lake, WI (US); **Ryan Hartman**, Chippewa Falls, WI (US); **Jeff Karp**, Streetsboro, OH (US)

(73) Assignee: **Sargento Foods Inc.**, Plymouth, WI (US)

(**) Term: **15 Years**

(21) Appl. No.: **29/780,587**

(22) Filed: **Apr. 26, 2021**

Related U.S. Application Data

(62) Division of application No. 29/660,927, filed on Aug. 23, 2018, now Pat. No. Des. 920,094.

(51) **LOC (13) Cl.** **09-03**

(52) **U.S. Cl.**
USPC **D9/416**

(58) **Field of Classification Search**
USPC D9/414-418, 420, 503, 424, 429;
D28/8.1; D1/130; D21/398; D24/104,
D24/101

CPC B65D 85/76; A61K 9/7084
See application file for complete search history.

(56) **References Cited**

U.S. PATENT DOCUMENTS

2,561,071 A * 7/1951 Prisk A61K 9/7084
424/449

2,789,608 A 4/1957 Tupper
3,016,129 A 11/1957 King, III
3,556,337 A 1/1971 Harmon et al.

(Continued)

OTHER PUBLICATIONS

Harpak—ULMA Packaging; Photograph of cheese snack packaging seen at the International Cheese Tech Expo; Apr. 17-19, 2018; Milwaukee, WI.

Primary Examiner — Rhea Shields

(74) *Attorney, Agent, or Firm* — Boyle Fredrickson, SC

(57) **CLAIM**

We claim the ornamental design for a food package, as shown and described.

DESCRIPTION

FIG. 1 is a top perspective view of a first embodiment of a food package.

FIG. 2 is a left side view thereof.

FIG. 3 is a right side view thereof

FIG. 4 is a rear view thereof.

FIG. 5 is a front view thereof.

FIG. 6 is a top view thereof.

FIG. 7 is a bottom view thereof

FIG. 8 is a cross section view taken through line 8-8 in FIG. 1.

FIG. 9 is a top perspective view of a second embodiment of a food package.

FIG. 10 is a front view thereof.

FIG. 11 is a rear view thereof.

FIG. 12 is a right side view thereof.

FIG. 13 is a left side view thereof.

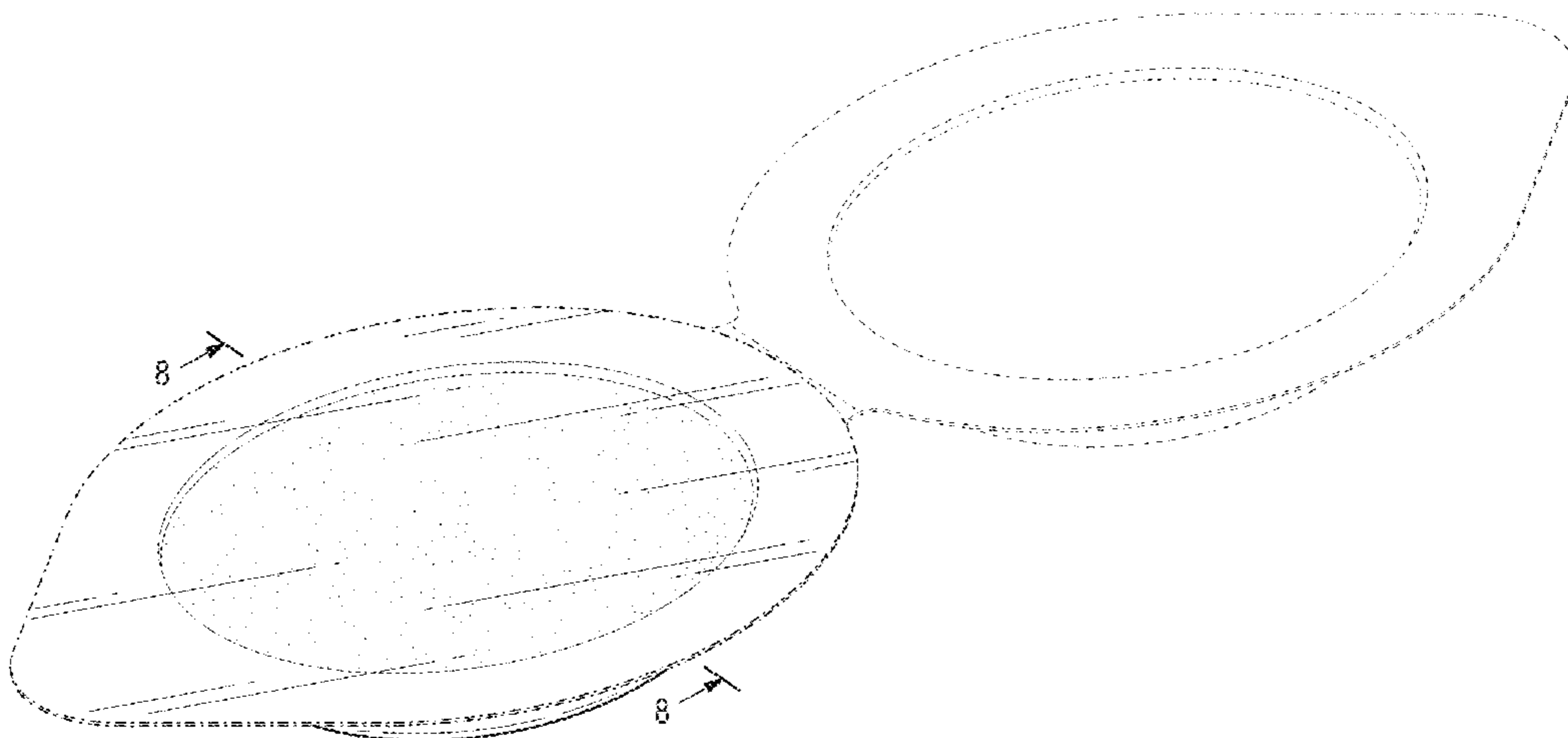
FIG. 14 is a top view thereof.

FIG. 15 is a bottom view thereof; and,

FIG. 16 is a cross section view taken through line 16-16 in FIG. 9.

In the drawings, the stippling is for the purpose of illustrating environment only and forms no part of the claimed design. In the drawings the evenly spaced broken lines are for the purpose of illustrating portions of the Food Package that form no part of the claimed design. In the drawings the “dash-dot” lines are for the purpose of illustrating the boundaries of the claim and form no part of the claimed design.

1 Claim, 12 Drawing Sheets



(56)

References Cited

U.S. PATENT DOCUMENTS

D220,752 S	5/1971	Artz	
3,620,403 A	11/1971	Rump	
3,620,411 A	11/1971	Rump	
4,226,358 A	10/1980	Ottow	
4,232,816 A	11/1980	Johnson et al.	
4,241,863 A	12/1980	Faller	
D265,760 S	8/1982	Lahay	
4,373,636 A	2/1983	Hoffman	
4,472,896 A	9/1984	Brauner et al.	
4,592,914 A	6/1986	Kuchenbecker	
4,662,188 A	5/1987	Hullihan	
4,811,846 A	3/1989	Bottega	
4,915,251 A	4/1990	Payne	
4,934,586 A	6/1990	Kadien	
4,955,527 A	9/1990	Blackman et al.	
5,012,971 A	5/1991	Cozzi et al.	
5,131,551 A	7/1992	Wells	
5,213,256 A	5/1993	Cyr	
D338,620 S	8/1993	Brozowski	
5,269,430 A	12/1993	Schlauplitz et al.	
5,300,748 A	4/1994	Colombo	
5,312,634 A	5/1994	Griesbach et al.	
D349,050 S	7/1994	Krupa	
5,332,147 A	7/1994	Sorenson	
5,462,192 A	10/1995	Pomroy et al.	
5,503,858 A	4/1996	Reskow	
D373,311 S	9/1996	Hotz	
D391,808 S	3/1998	Voege	
D392,883 S	3/1998	Ferrin	
5,816,485 A	10/1998	Bernstein	
5,860,549 A	1/1999	Allers et al.	
5,897,011 A	4/1999	Brilliant et al.	
5,950,854 A	9/1999	Rider, Jr. et al.	
D416,484 S	11/1999	Voden	
D418,371 S	1/2000	Whitehead	
D425,790 S	5/2000	Rondolino	
6,135,304 A	10/2000	Wyslotsky	
D436,532 S *	1/2001	Richardson	D24/104
D438,463 S	3/2001	Schill et al.	
D445,673 S *	7/2001	Richardson	D28/8.1
D445,675 S *	7/2001	Richardson	D28/8.1
6,283,364 B1	9/2001	Gray, Sr.	
6,349,875 B1	2/2002	Whitnell	
D485,942 S *	1/2004	McLeish	D28/8.1
D507,453 S	7/2005	Mills	
D507,677 S *	7/2005	McLeish	D28/8.1
D519,830 S	5/2006	Yocum	
D520,185 S *	5/2006	Zeng	D24/101
D530,197 S	10/2006	LaMasney	
D533,971 S	12/2006	Carter et al.	
7,287,660 B2	10/2007	Ramirez et al.	
D585,735 S	2/2009	Vovan et al.	
7,597,206 B2	10/2009	Atkins et al.	
D604,118 S	11/2009	Braidotti	
7,628,313 B2	12/2009	Fry	
D632,955 S	2/2011	Smith, III et al.	
D638,534 S	5/2011	Moga et al.	
D651,096 S *	12/2011	Nakagiri	D9/503
8,146,743 B2	4/2012	Stonehouse	
8,251,249 B1	8/2012	Vovan	
D670,162 S	11/2012	Segal	
D679,198 S	4/2013	O'Connor et al.	
D683,192 S	5/2013	Schwartz et al.	
D688,920 S	9/2013	Manley et al.	
8,523,049 B2	9/2013	Fitzwater	
8,541,038 B2	9/2013	Feldmeier et al.	
D693,219 S	11/2013	Limback	
8,657,138 B2	2/2014	Everson	
8,672,215 B2	3/2014	Learn	
8,733,626 B2	5/2014	Learn	
8,740,050 B2	6/2014	Zinck et al.	
8,807,385 B1	8/2014	Fosse	
8,820,621 B2	9/2014	Burke et al.	
8,850,969 B2	10/2014	Ewald et al.	
8,960,480 B2	2/2015	Clark	
D734,665 S *	7/2015	Cahen	D9/429
9,102,446 B2	8/2015	Kowal et al.	
9,139,330 B2	9/2015	Gomez	
9,233,515 B2	1/2016	Cook et al.	
D758,741 S	6/2016	Sussman	
D764,270 S *	8/2016	Paton	D9/416
D827,976 S *	9/2018	Allio	D1/130
D854,924 S *	7/2019	Ashiwa	D9/416
D859,533 S *	9/2019	Landi, Jr.	D21/398
D867,872 S	11/2019	Labonte et al.	
D874,881 S	2/2020	Mastronardi	
D920,094 S *	5/2021	Purkey	D9/416
D927,970 S *	8/2021	Choi	D9/416
2004/0207113 A1	10/2004	Huisman	
2005/0112243 A1	5/2005	Bellmann et al.	
2006/0068063 A1	3/2006	Zerfas et al.	
2007/0012754 A1	1/2007	Stier	
2007/0012755 A1	1/2007	Metcalf	
2008/0110966 A1	5/2008	Yocum	
2009/0145090 A1	6/2009	Vassigh et al.	
2011/0114526 A1	5/2011	Neumann et al.	
2011/0132796 A1	6/2011	Epstein et al.	
2013/0320005 A1	12/2013	Bardwell et al.	
2014/0041343 A1	2/2014	Corbett et al.	
2014/0263599 A1	9/2014	Robertson	
2015/0272157 A1	10/2015	Vaccarella et al.	
2015/0272158 A1	10/2015	Vaccarella	
2015/0307257 A1	10/2015	Padda et al.	
2020/0062451 A1 *	2/2020	Purkey	B65D 85/76

* cited by examiner

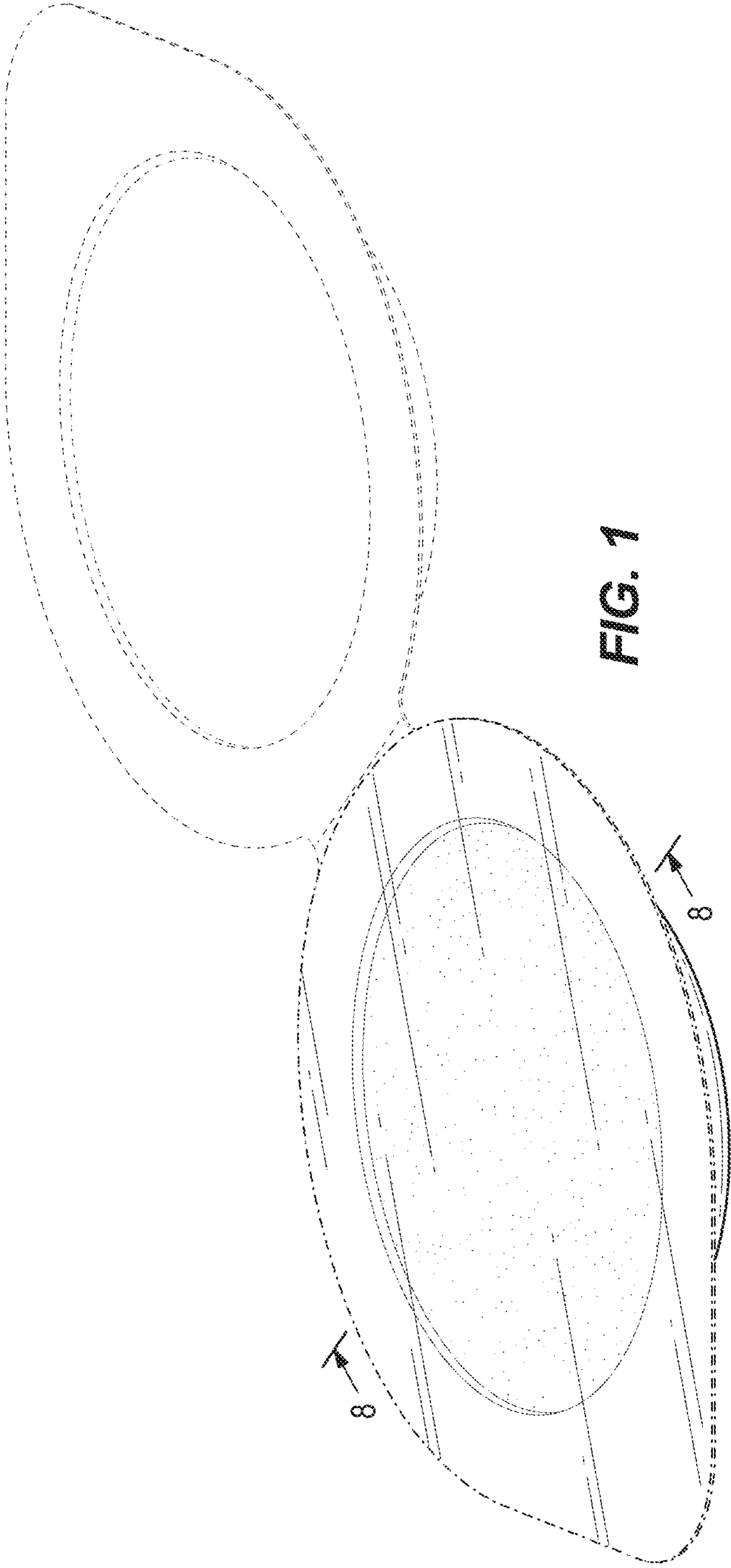


FIG. 1

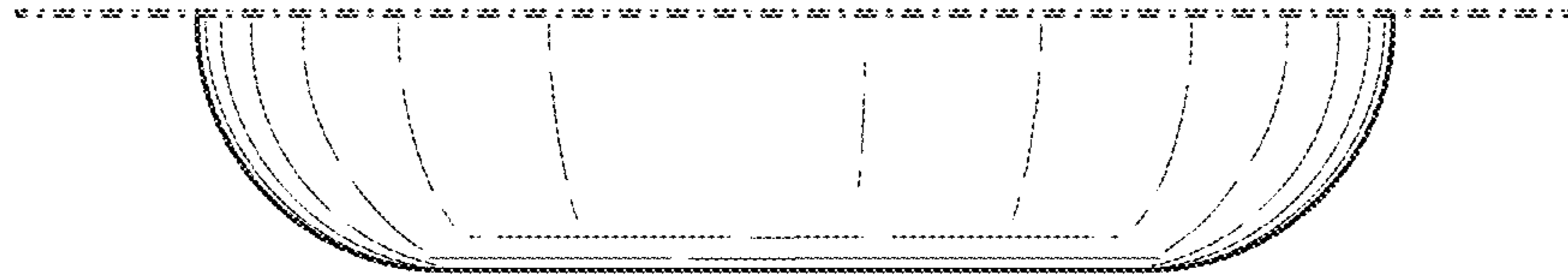


FIG. 2



FIG. 3



FIG. 4

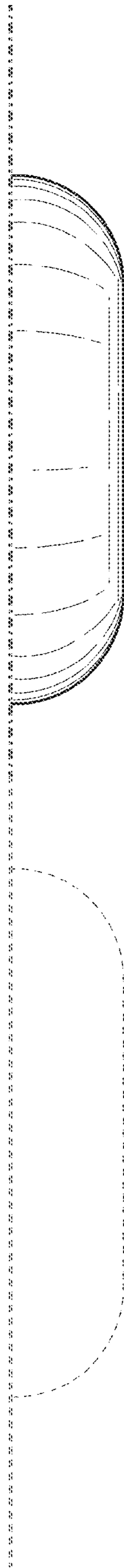


FIG. 5

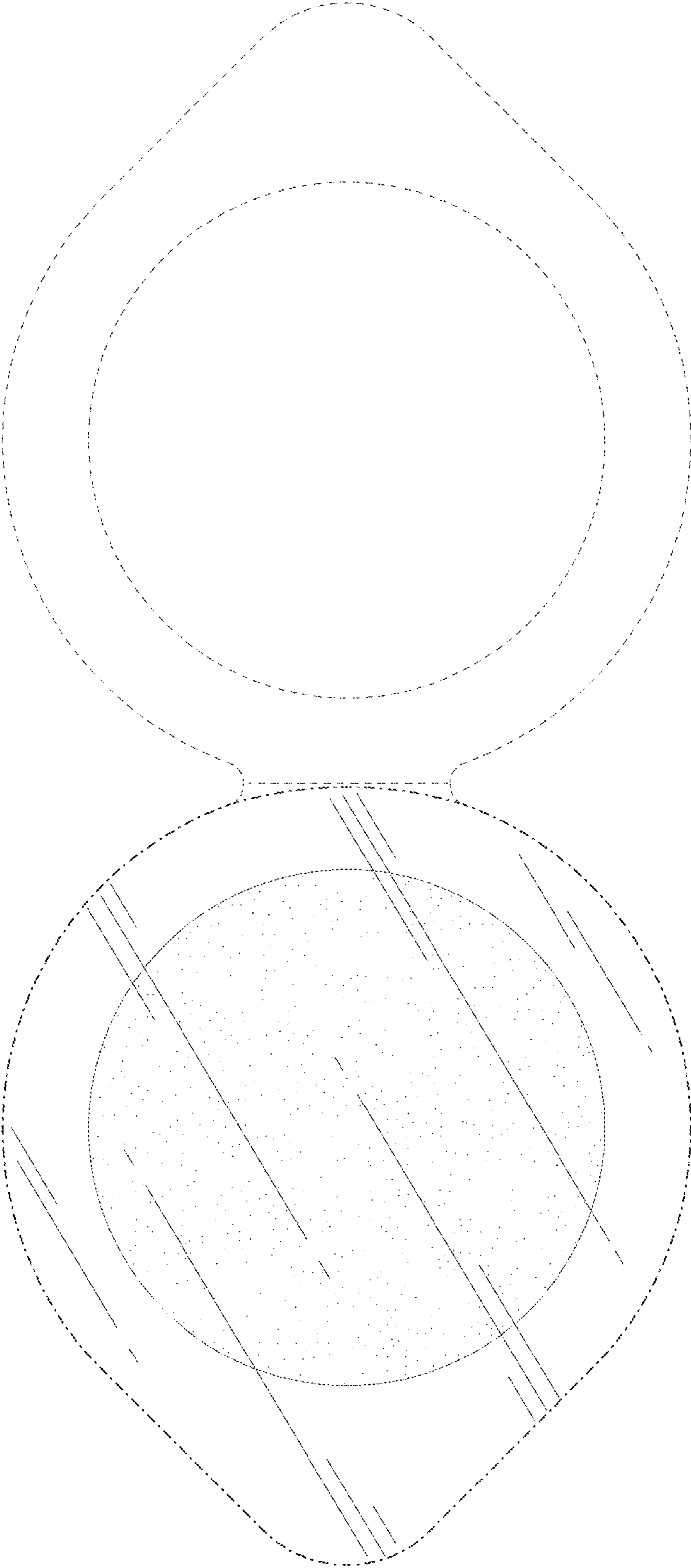


FIG. 6

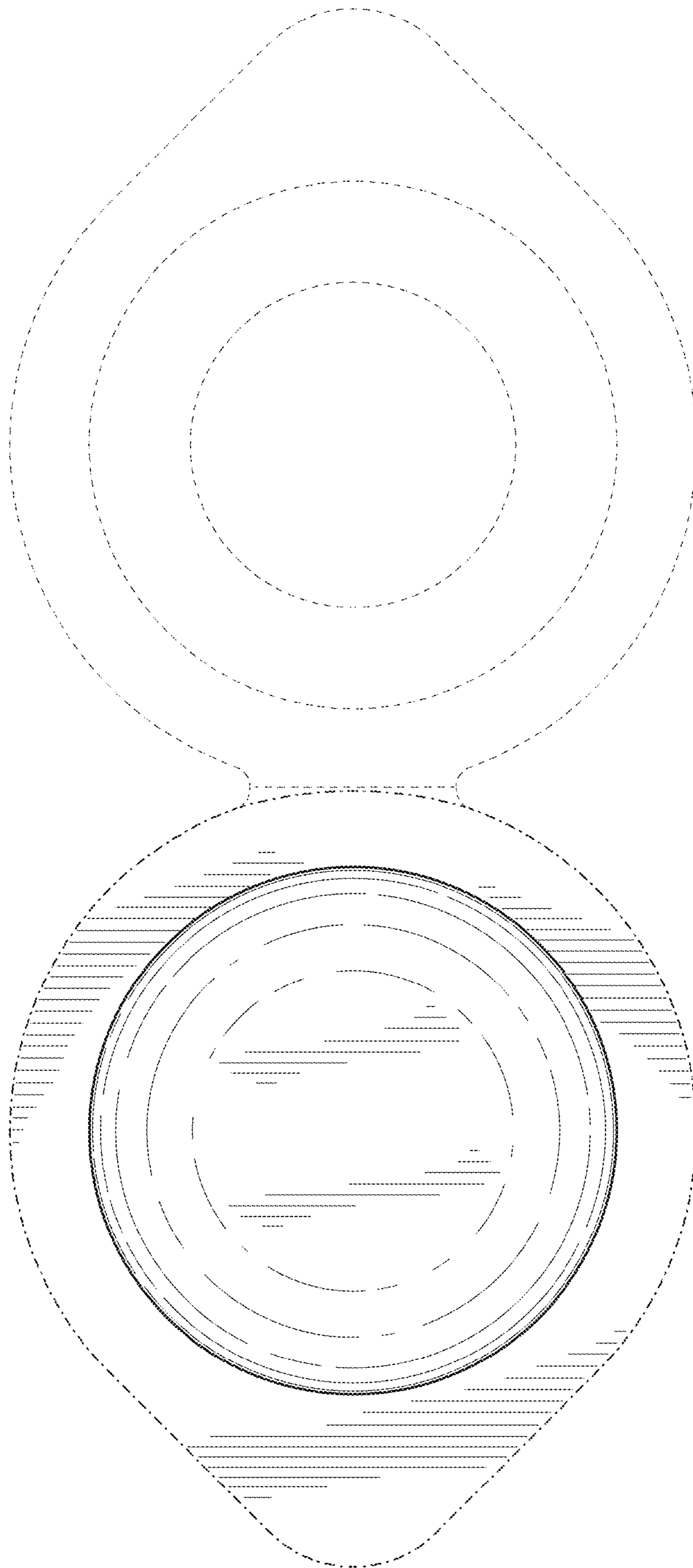


FIG. 7

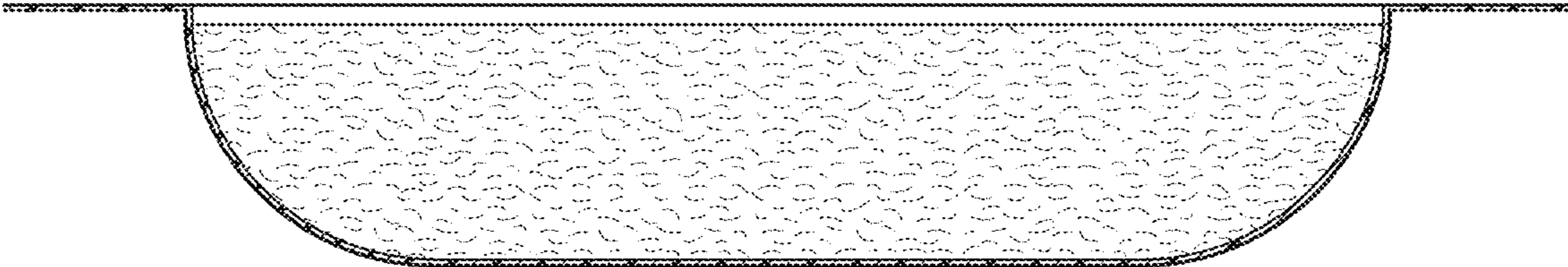
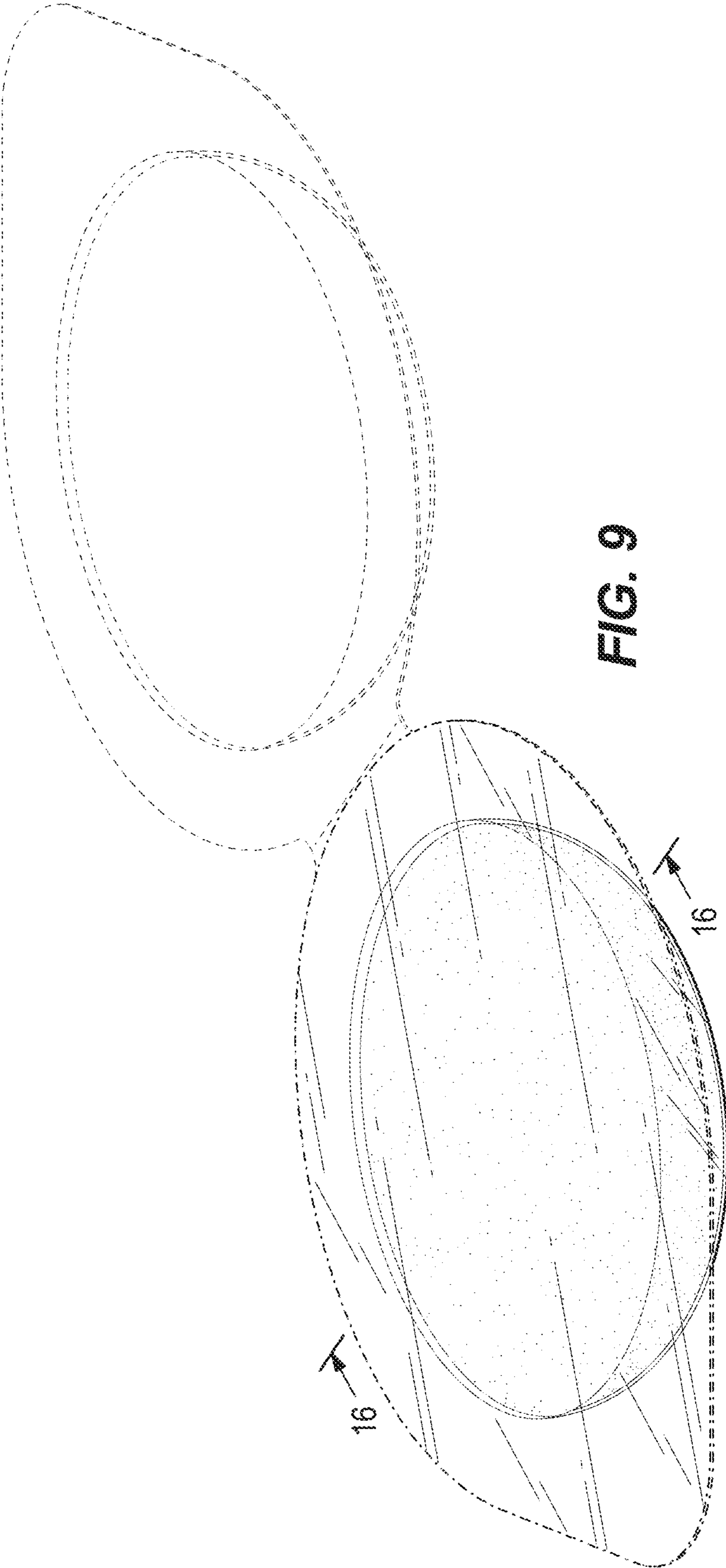


FIG. 8



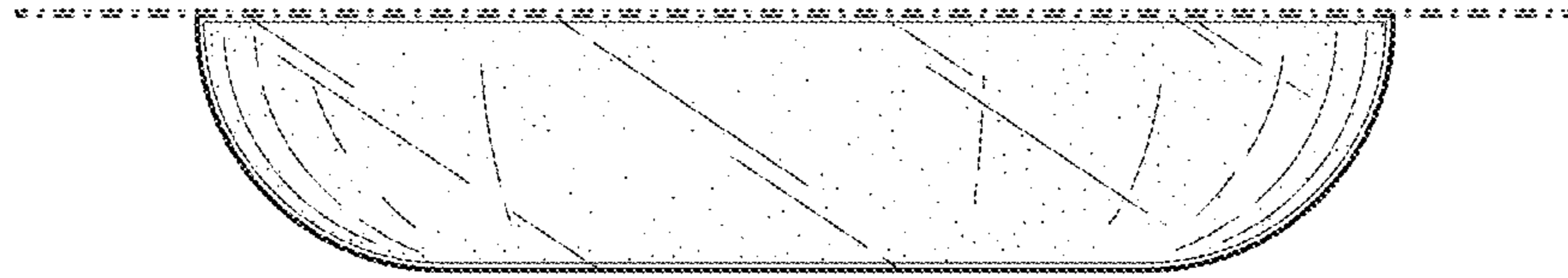


FIG. 10

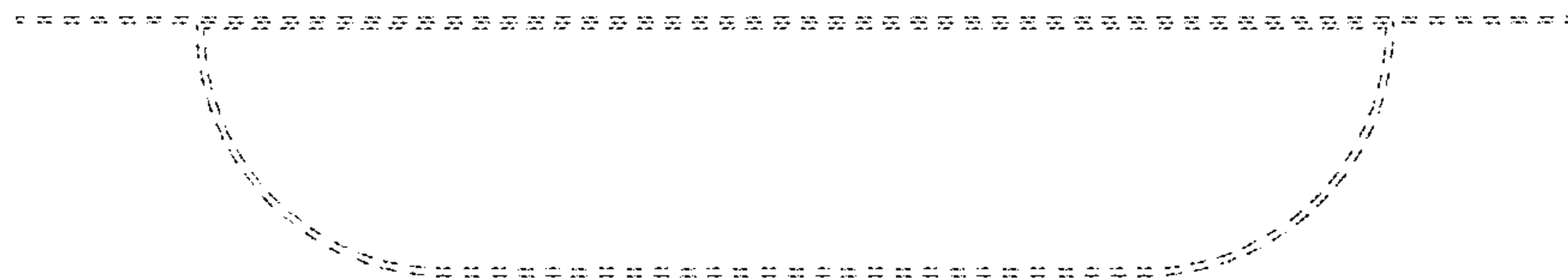


FIG. 11

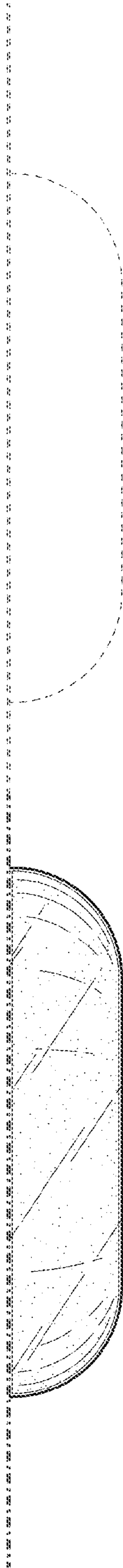


FIG. 12

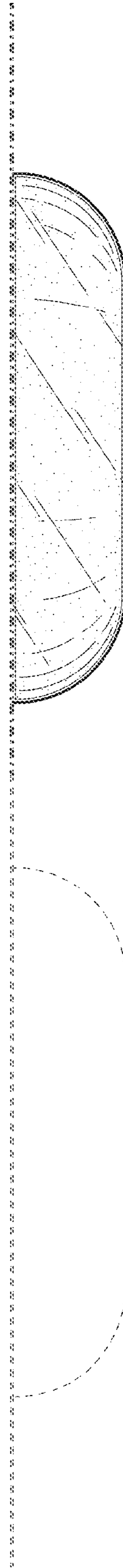


FIG. 13

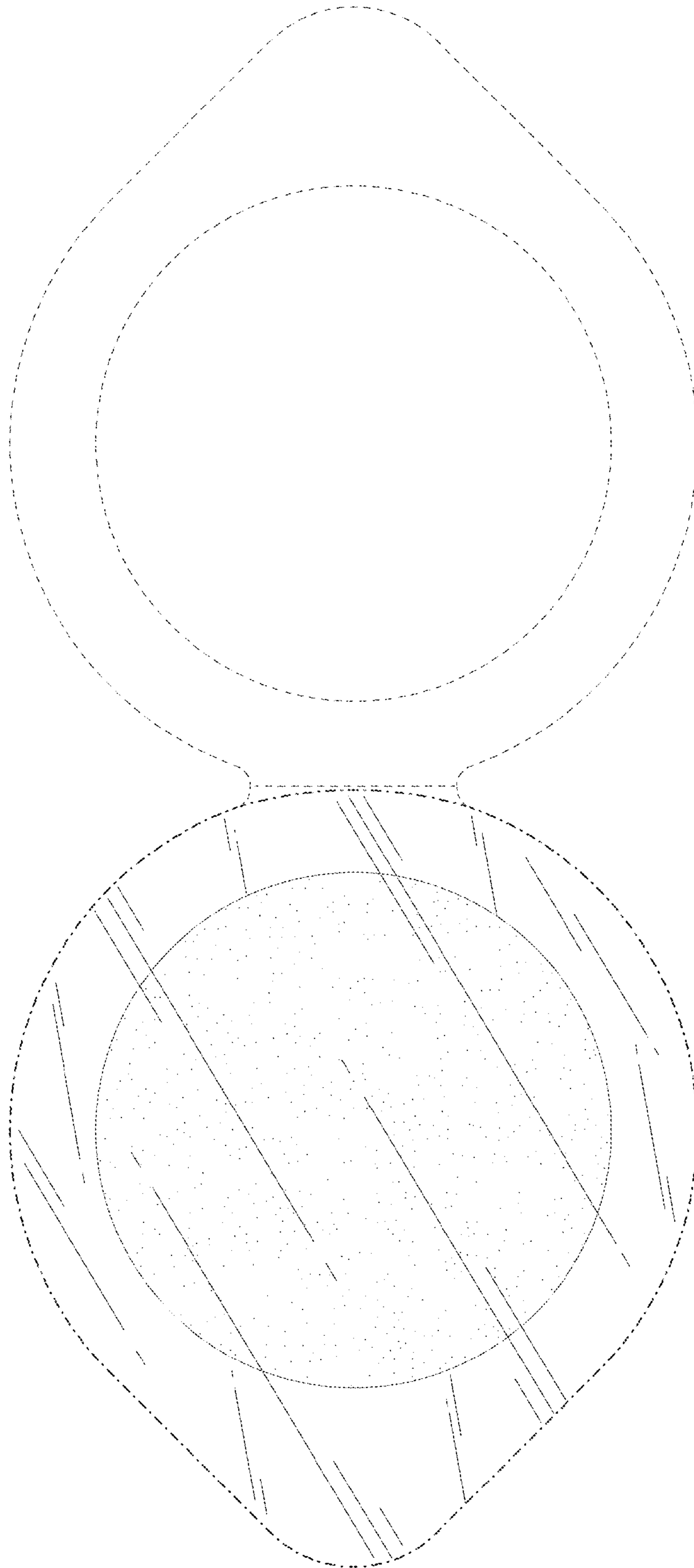


FIG. 14

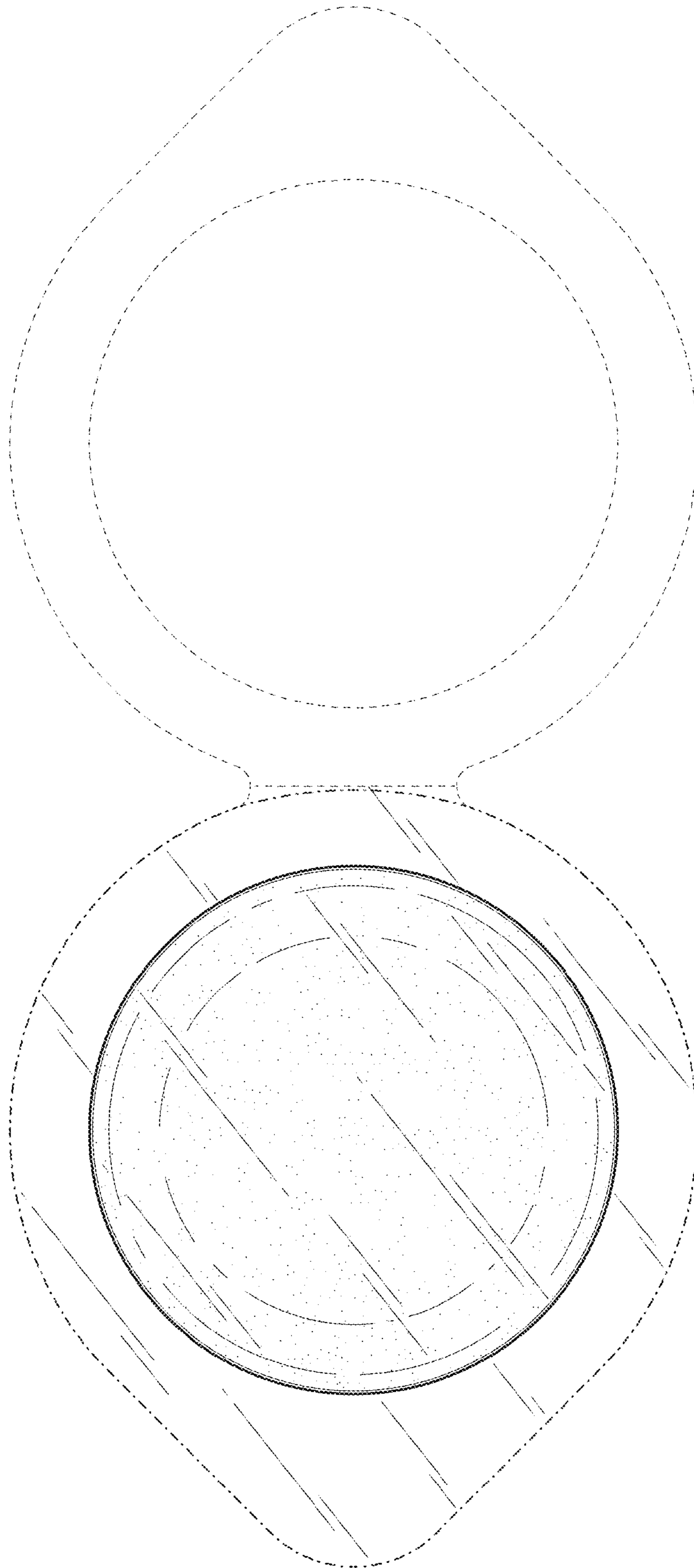


FIG. 15

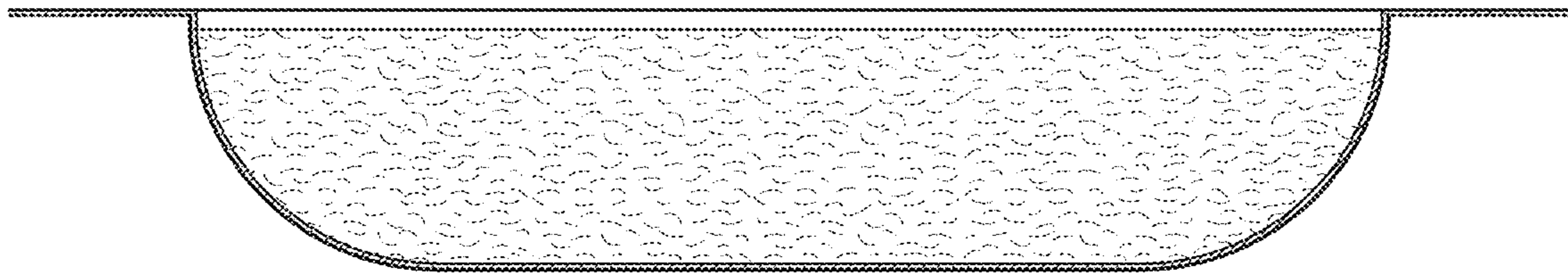


FIG. 16