

US00D934066S

(12) **United States Design Patent** (10) **Patent No.:** **US D934,066 S**  
**Purkey et al.** (45) **Date of Patent:** **\*\* Oct. 26, 2021**

(54) **FOOD PACKAGE**

(71) Applicant: **Sargento Foods Inc.**, Plymouth, WI (US)

(72) Inventors: **Todd Purkey**, Elkhart Lake, WI (US); **Ryan Hartman**, Chippewa Falls, WI (US); **Jeff Karp**, Streetsboro, OH (US)

(73) Assignee: **Sargento Foods Inc.**, Plymouth, WI (US)

(\*\*) Term: **15 Years**

(21) Appl. No.: **29/780,582**

(22) Filed: **Apr. 26, 2021**

**Related U.S. Application Data**

(62) Division of application No. 29/660,927, filed on Aug. 23, 2018, now Pat. No. Des. 920,094.

(51) **LOC (13) Cl.** ..... **09-03**

(52) **U.S. Cl.**  
USPC ..... **D9/416**

(58) **Field of Classification Search**  
USPC ..... D9/414-418, 425, 424, 420; D7/538, D7/628, 359, 629; D6/552; D24/113, D24/117

CPC ..... B65D 85/36; B65D 43/162; B65D 1/34; B65D 43/0212; B65H 49/08

See application file for complete search history.

(56) **References Cited**

**U.S. PATENT DOCUMENTS**

2,789,608 A 4/1957 Tupper  
3,016,129 A 11/1957 King, III  
3,556,337 A 1/1971 Harmon et al.  
D220,752 S \* 5/1971 Artz ..... D9/425

(Continued)

**OTHER PUBLICATIONS**

Harpak-ULMA Packaging; Photograph of cheese snack packaging seen at the International Cheese Tech Expo Apr. 17-19, 2018; Milwaukee, WI.

*Primary Examiner* — Rhea Shields

(74) *Attorney, Agent, or Firm* — Boyle Fredrickson, SC

(57) **CLAIM**

We claim the ornamental design for a food package, as shown and described.

**DESCRIPTION**

FIG. 1 is a top perspective view of a first embodiment of a food package.

FIG. 2 is a left side view thereof.

FIG. 3 is a right side view thereof

FIG. 4 is a rear view thereof.

FIG. 5 is a front view thereof

FIG. 6 is a top view thereof.

FIG. 7 is a bottom view thereof

FIG. 8 is a cross section view taken through line 8-8 in FIG. 1.

FIG. 9 is a top perspective view of a second embodiment of a food package.

FIG. 10 is a left side view thereof.

FIG. 11 is a right side view thereof.

FIG. 12 is a rear view thereof.

FIG. 13 is a front view thereof.

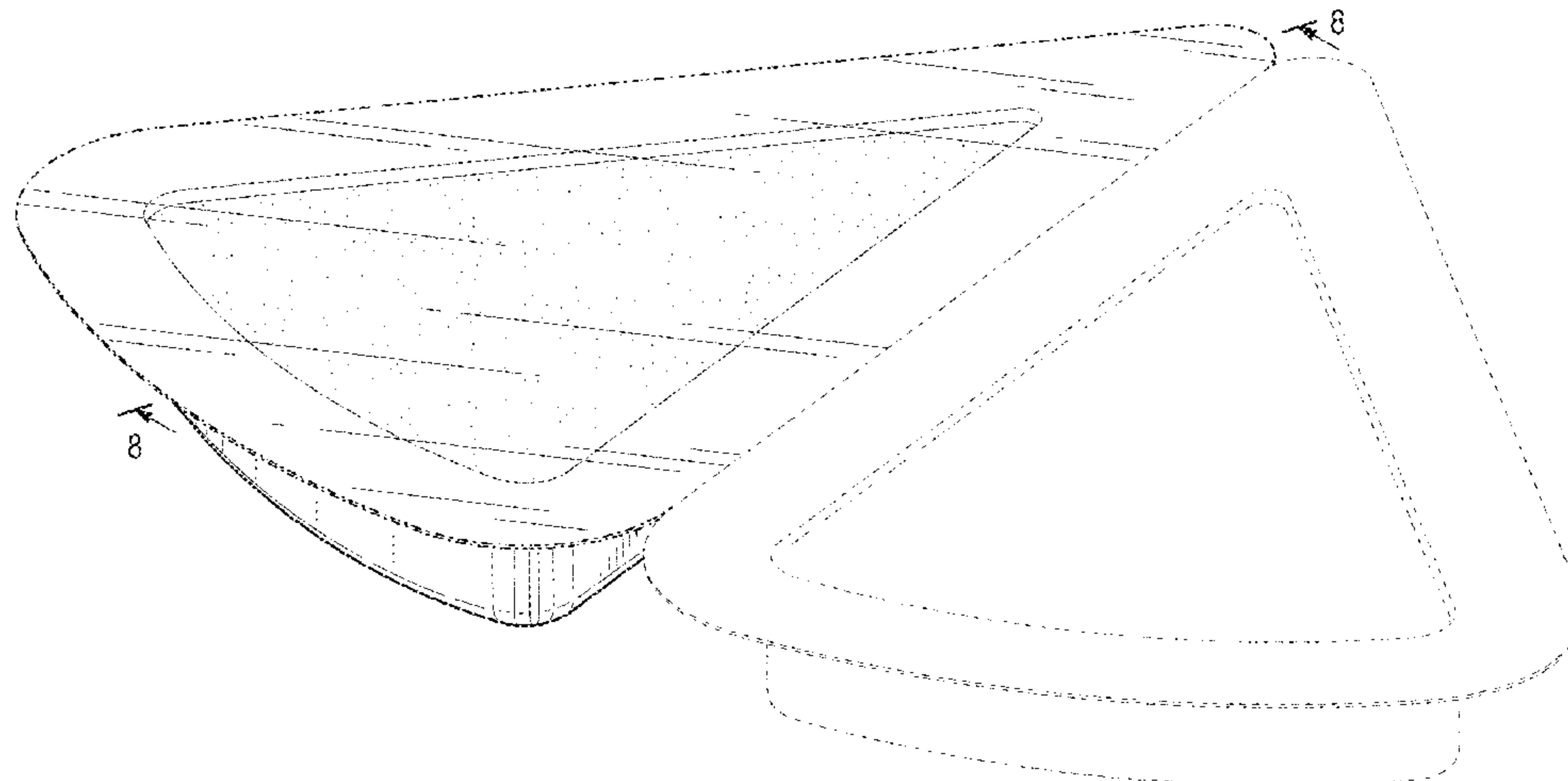
FIG. 14 is a top view thereof.

FIG. 15 is a bottom view thereof; and,

FIG. 16 is a cross section view taken through line 16-16 in FIG. 9.

In the drawings, the stippling is for the purpose of illustrating environment only and forms no part of the claimed design. In the drawings the evenly spaced broken lines are for the purpose of illustrating portions of the Food Package that form no part of the claimed design. In the drawings the “dash-dot” lines are for the purpose of illustrating the boundaries of the claim and form no part of the claimed design.

**1 Claim, 12 Drawing Sheets**



(56)

References Cited

U.S. PATENT DOCUMENTS

3,620,403	A *	11/1971	Rump .....	B65D 43/0212	D541,145	S *	4/2007	Copp .....	B65H 49/08
				220/4.24					D9/415
3,620,411	A *	11/1971	Rump .....	B65D 43/162	7,287,660	B2	10/2007	Ramirez et al.	
				220/315	D585,735	S	2/2009	Vovan et al.	
4,226,358	A	10/1980	Ottow		7,597,206	B2	10/2009	Atkins et al.	
4,232,816	A	11/1980	Johnson et al.		D604,118	S *	11/2009	Braidotti .....	D7/628
4,241,863	A	12/1980	Faller		7,628,313	B2	12/2009	Fry	
D265,760	S *	8/1982	Lahay .....	D24/117	D632,955	S	2/2011	Smith, III et al.	
4,373,636	A	2/1983	Hoffman		D638,534	S *	5/2011	Moga .....	D24/113
4,472,896	A	9/1984	Brauner et al.		8,066,125	B2 *	11/2011	Kang .....	B65D 43/164
4,592,914	A	6/1986	Kuchenbecker						206/705
4,662,188	A	5/1987	Hullihan		8,146,743	B2	4/2012	Stonehouse	
4,811,846	A *	3/1989	Bottega .....	B65D 1/34	8,251,249	B1	8/2012	Vovan	
				206/542	D670,162	S *	11/2012	Segal .....	D9/424
4,915,251	A	4/1990	Payne		D679,198	S	4/2013	O'Connor et al.	
4,934,586	A	6/1990	Kadien		D683,192	S	5/2013	Schwartz et al.	
4,955,527	A	9/1990	Blackman et al.		D688,920	S *	9/2013	Manley .....	D7/629
5,012,971	A	5/1991	Cozzi et al.		8,523,049	B2	9/2013	Fitzwater	
5,131,551	A	7/1992	Wells		8,541,038	B2	9/2013	Feldmeier et al.	
5,213,256	A	5/1993	Cyr		D693,219	S *	11/2013	Limback .....	D9/424
D338,620	S	8/1993	Brozowski		8,657,138	B2	2/2014	Everson	
5,269,430	A *	12/1993	Schlaupitz .....	B65D 43/162	8,672,215	B2	3/2014	Learn	
				206/551	8,733,626	B2	5/2014	Learn	
5,300,748	A	4/1994	Colombo		D707,550	S *	6/2014	Limback .....	D9/424
5,312,634	A	5/1994	Griesbach et al.		8,740,050	B2	6/2014	Zinck et al.	
D349,050	S	7/1994	Krupa		8,807,385	B1	8/2014	Fosse	
5,332,147	A	7/1994	Sorenson		8,820,621	B2	9/2014	Burke et al.	
5,462,192	A	10/1995	Pomroy et al.		8,850,969	B2	10/2014	Ewald et al.	
5,503,858	A	4/1996	Reskow		8,960,480	B2	2/2015	Clark	
D373,311	S	9/1996	Hotz		9,102,446	B2	8/2015	Kowal et al.	
D391,808	S *	3/1998	Voege .....	D7/538	9,139,330	B2	9/2015	Gomez	
D392,883	S	3/1998	Ferrin		9,233,515	B2	1/2016	Cook et al.	
5,816,485	A	10/1998	Bernstein		D758,741	S	6/2016	Sussman	
5,860,549	A	1/1999	Allers et al.		D867,872	S *	11/2019	Labonte .....	D9/424
5,897,011	A	4/1999	Brilliant et al.		D874,881	S	2/2020	Mastronardi	
5,950,854	A	9/1999	Rider, Jr. et al.		2004/0207113	A1	10/2004	Huisman	
D416,484	S *	11/1999	Voden .....	D6/552	2005/0112243	A1	5/2005	Bellmann et al.	
D418,371	S *	1/2000	Whitehead .....	D7/538	2006/0068063	A1	3/2006	Zerfas et al.	
D425,790	S	5/2000	Rondolino		2007/0012754	A1	1/2007	Stier	
6,135,304	A	10/2000	Wyslotsky		2007/0012755	A1 *	1/2007	Metcalf .....	B65D 85/36
D438,463	S	3/2001	Schill et al.						229/114
6,283,364	B1	9/2001	Gray, Sr.		2008/0110966	A1	5/2008	Yocum	
6,349,875	B1	2/2002	Whitnell		2009/0145090	A1	6/2009	Vassigh et al.	
D507,453	S *	7/2005	Mills .....	D7/359	2011/0114526	A1	5/2011	Neumann et al.	
D519,830	S	5/2006	Yocum		2011/0132796	A1	6/2011	Epstein et al.	
D530,197	S *	10/2006	LaMasney .....	D9/420	2013/0320005	A1	12/2013	Bardwell et al.	
D533,971	S	12/2006	Carter et al.		2014/0041343	A1	2/2014	Corbett et al.	
					2014/0263599	A1	9/2014	Robertson	
					2015/0272157	A1	10/2015	Vaccarella et al.	
					2015/0272158	A1	10/2015	Vaccarella	
					2015/0307257	A1	10/2015	Padda et al.	

\* cited by examiner

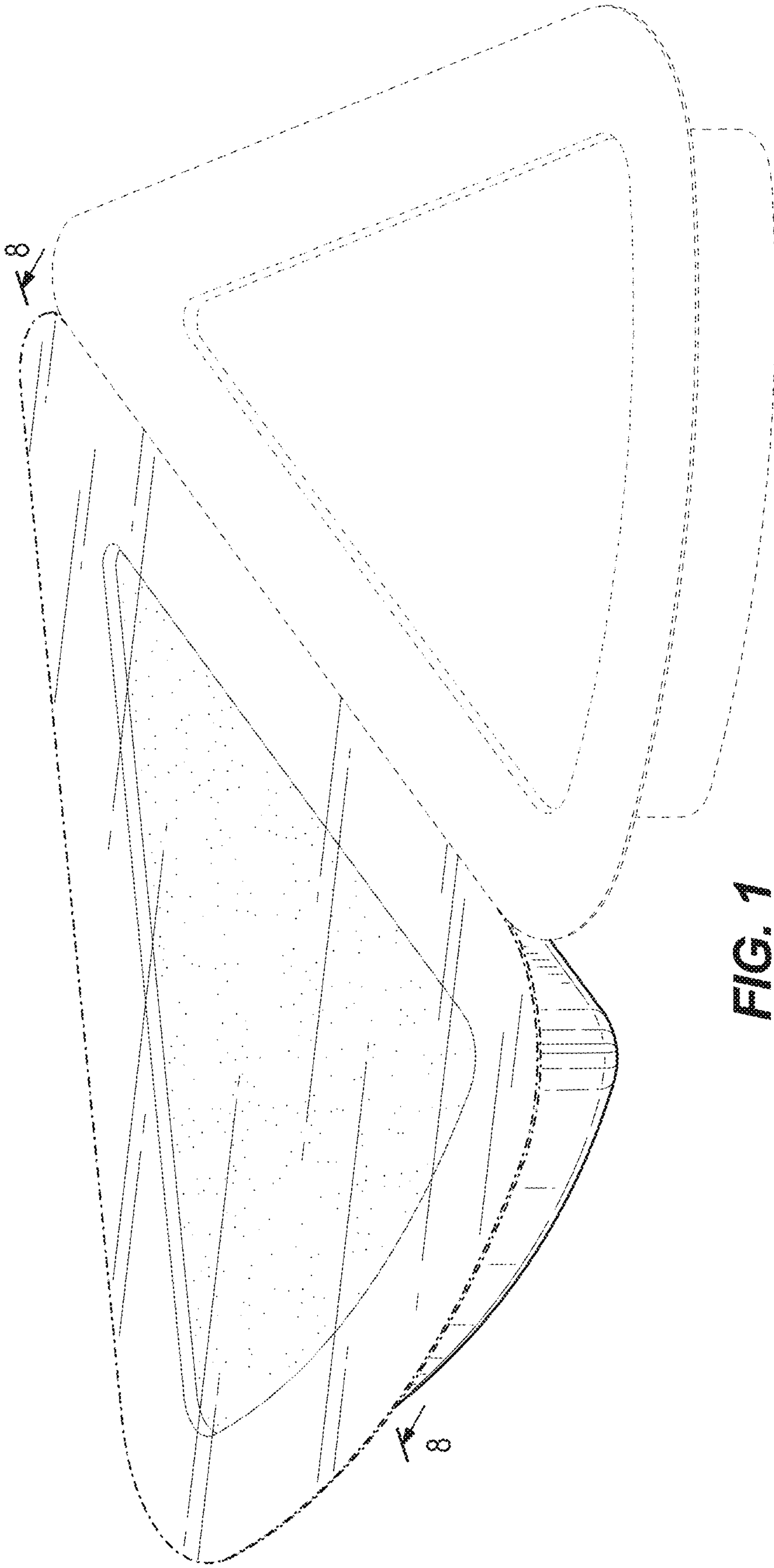
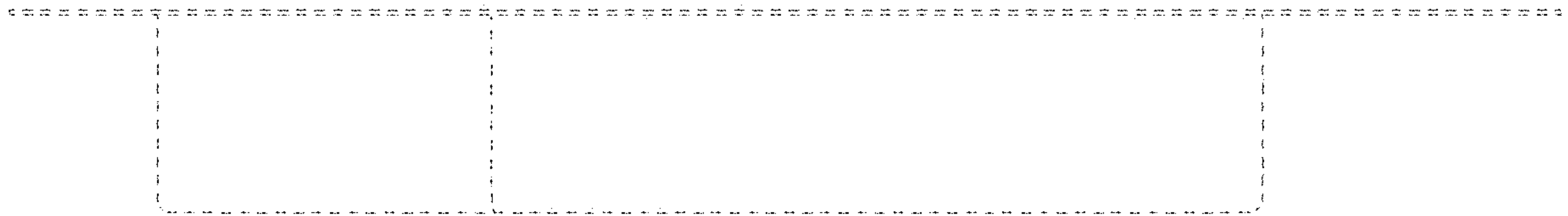
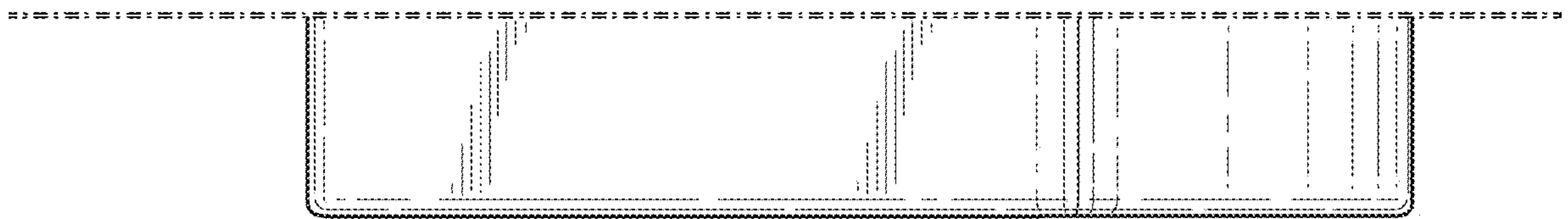


FIG. 1

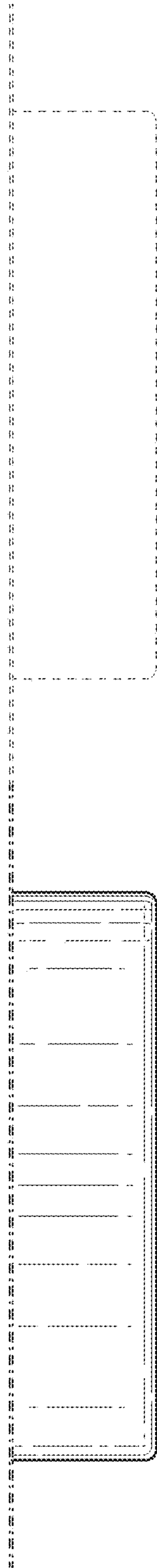


**FIG. 2**

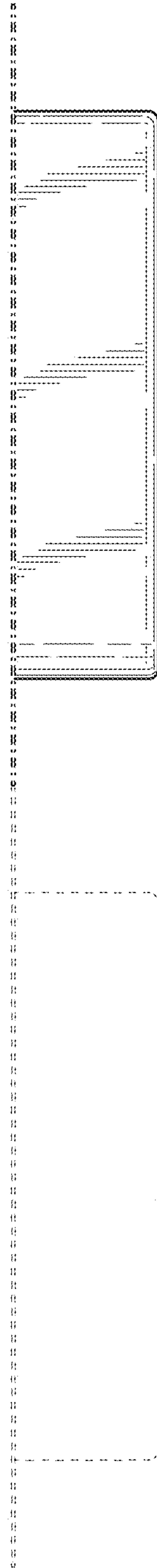


**FIG. 3**

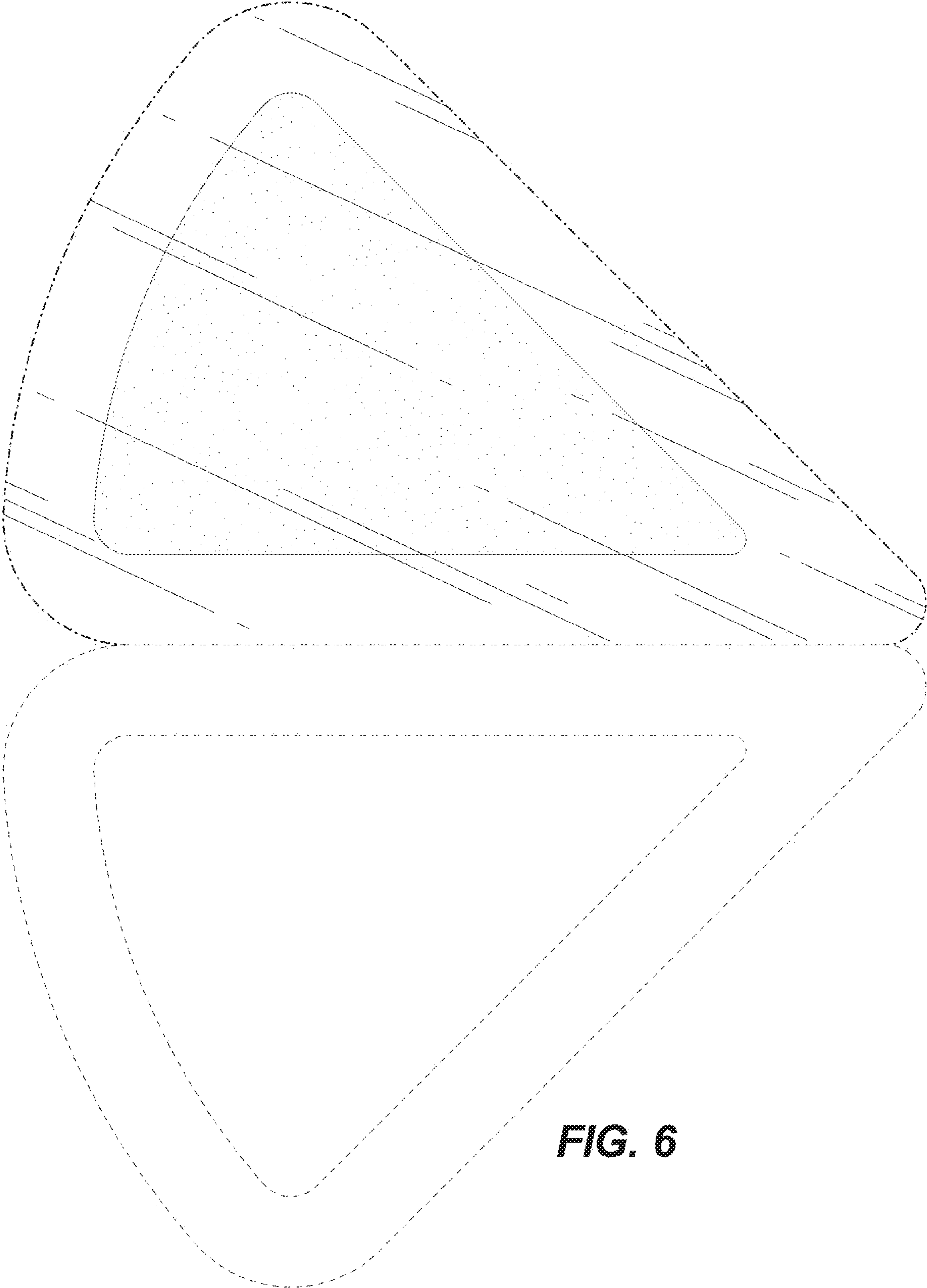




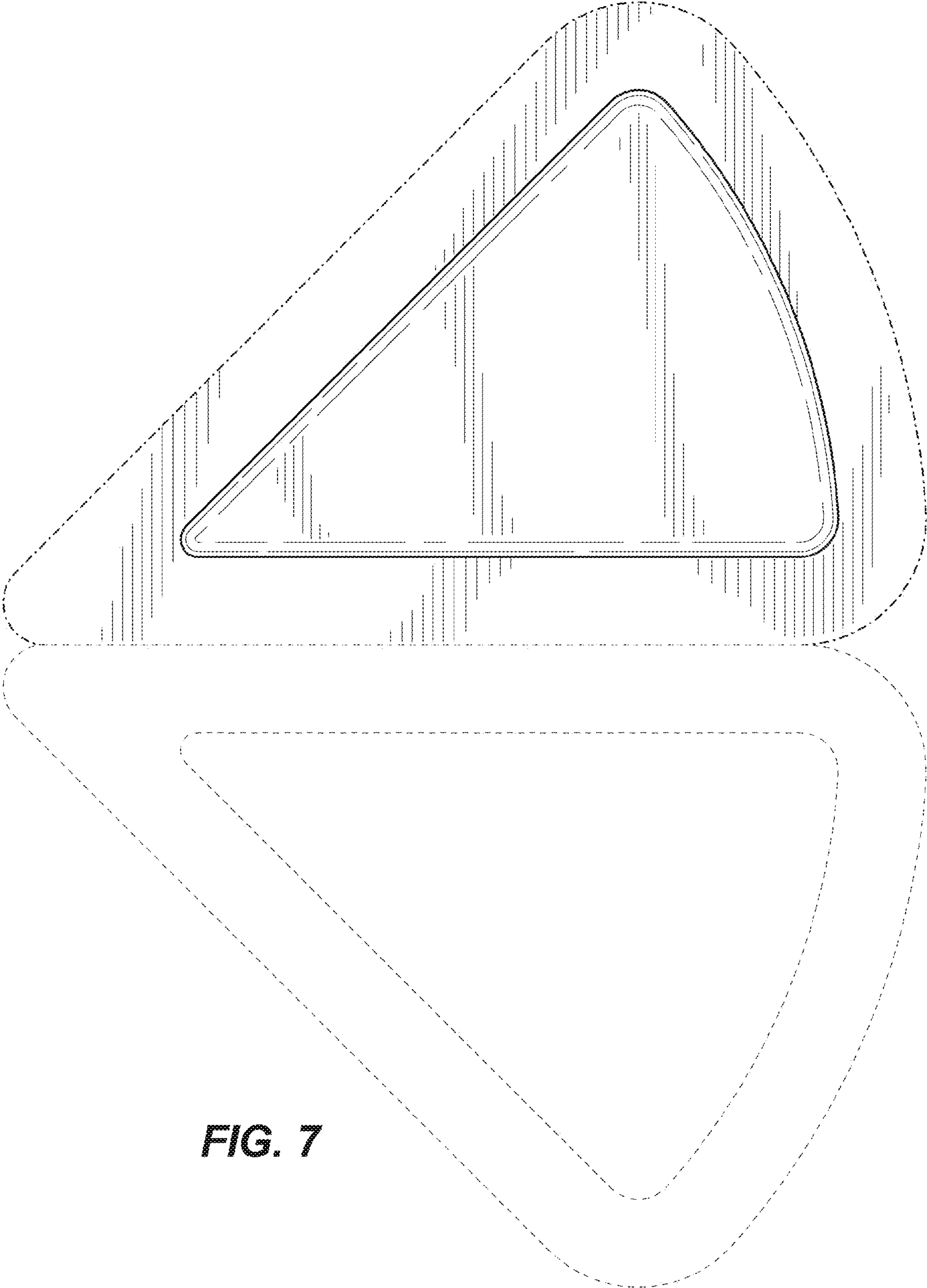
**FIG. 4**



**FIG. 5**



**FIG. 6**



**FIG. 7**

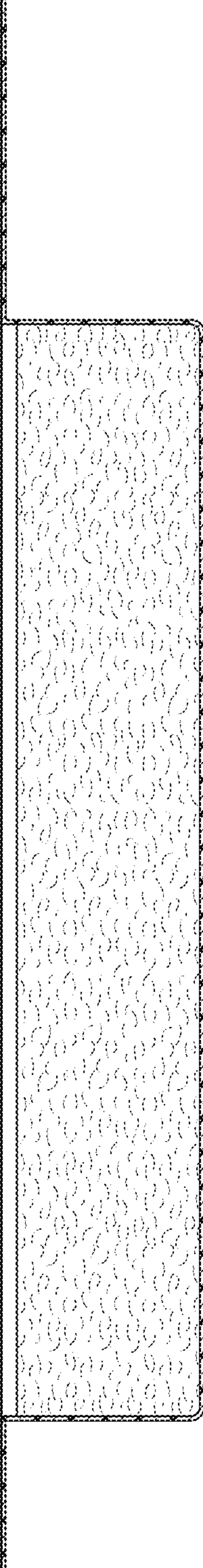


FIG. 8



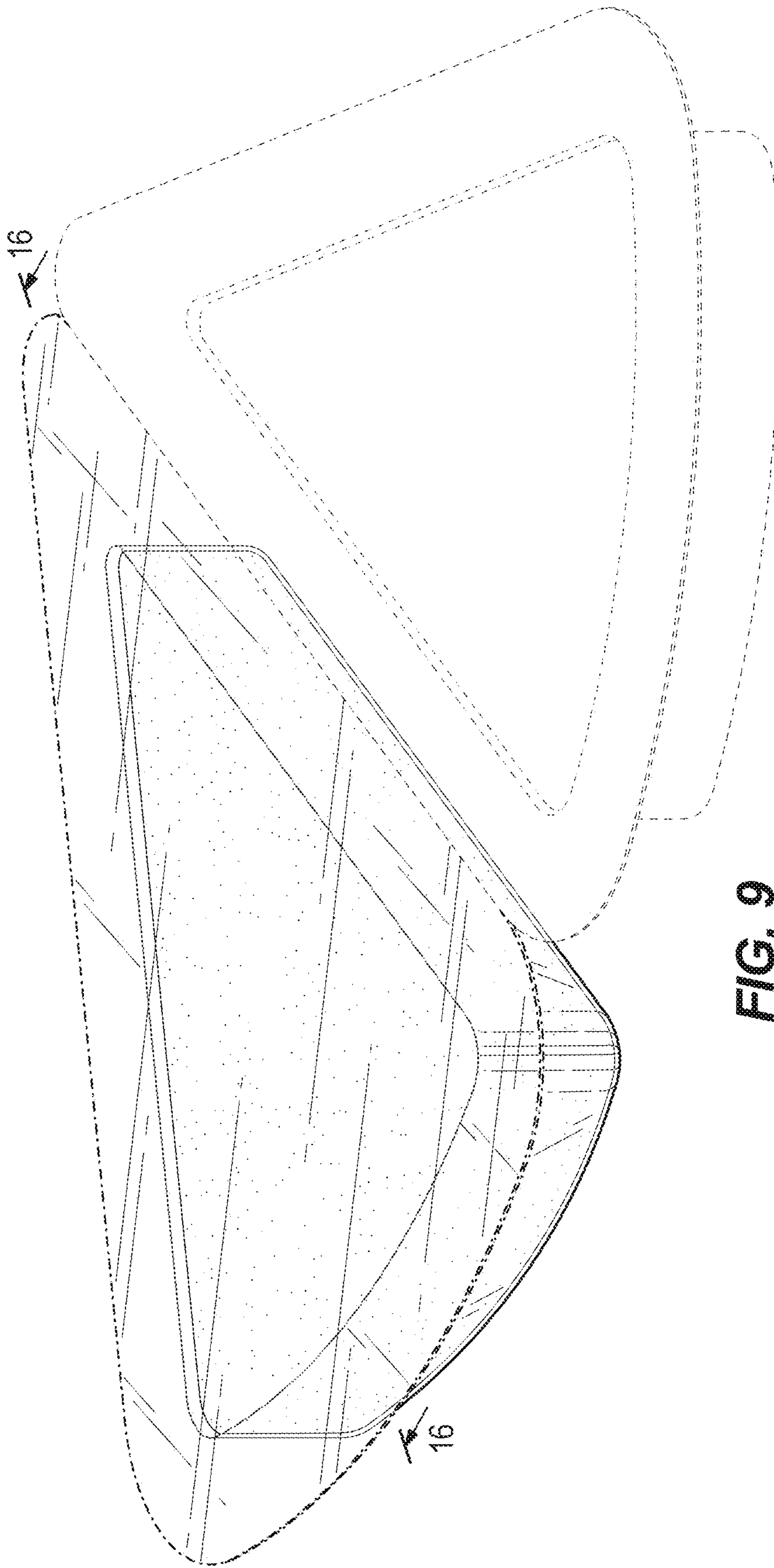
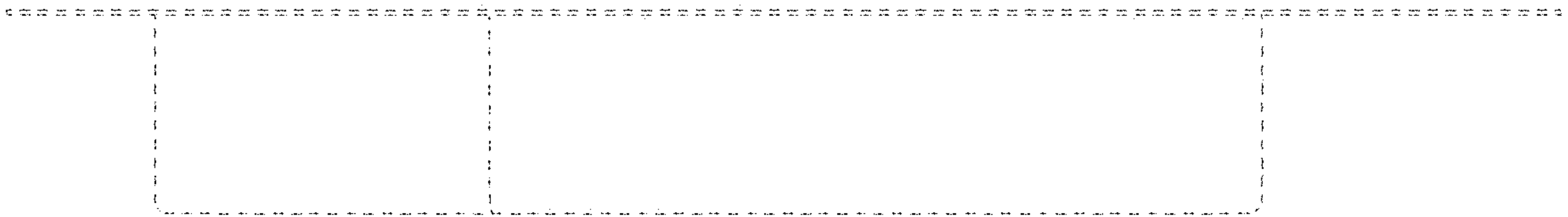
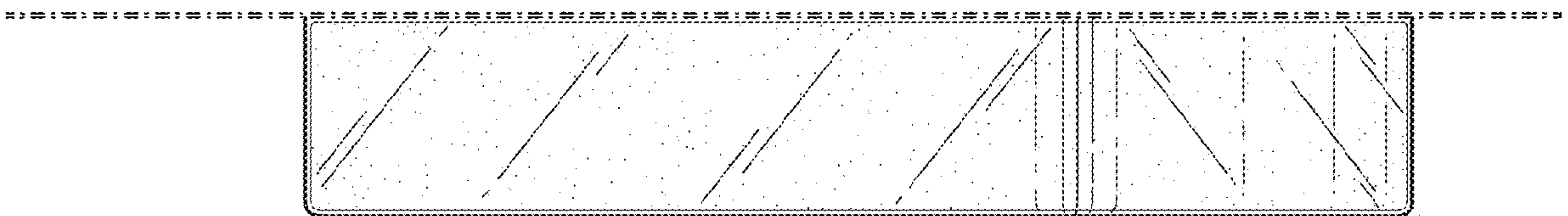


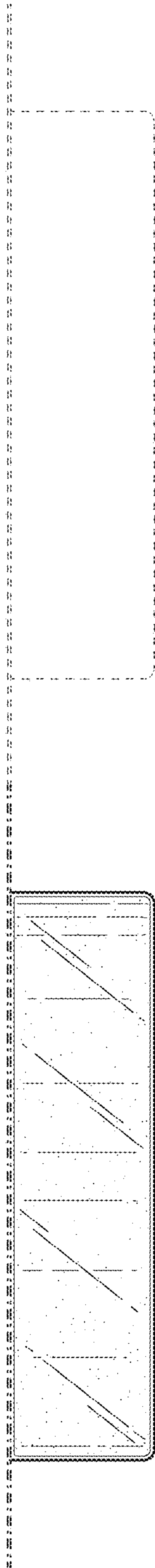
FIG. 9



**FIG. 10**



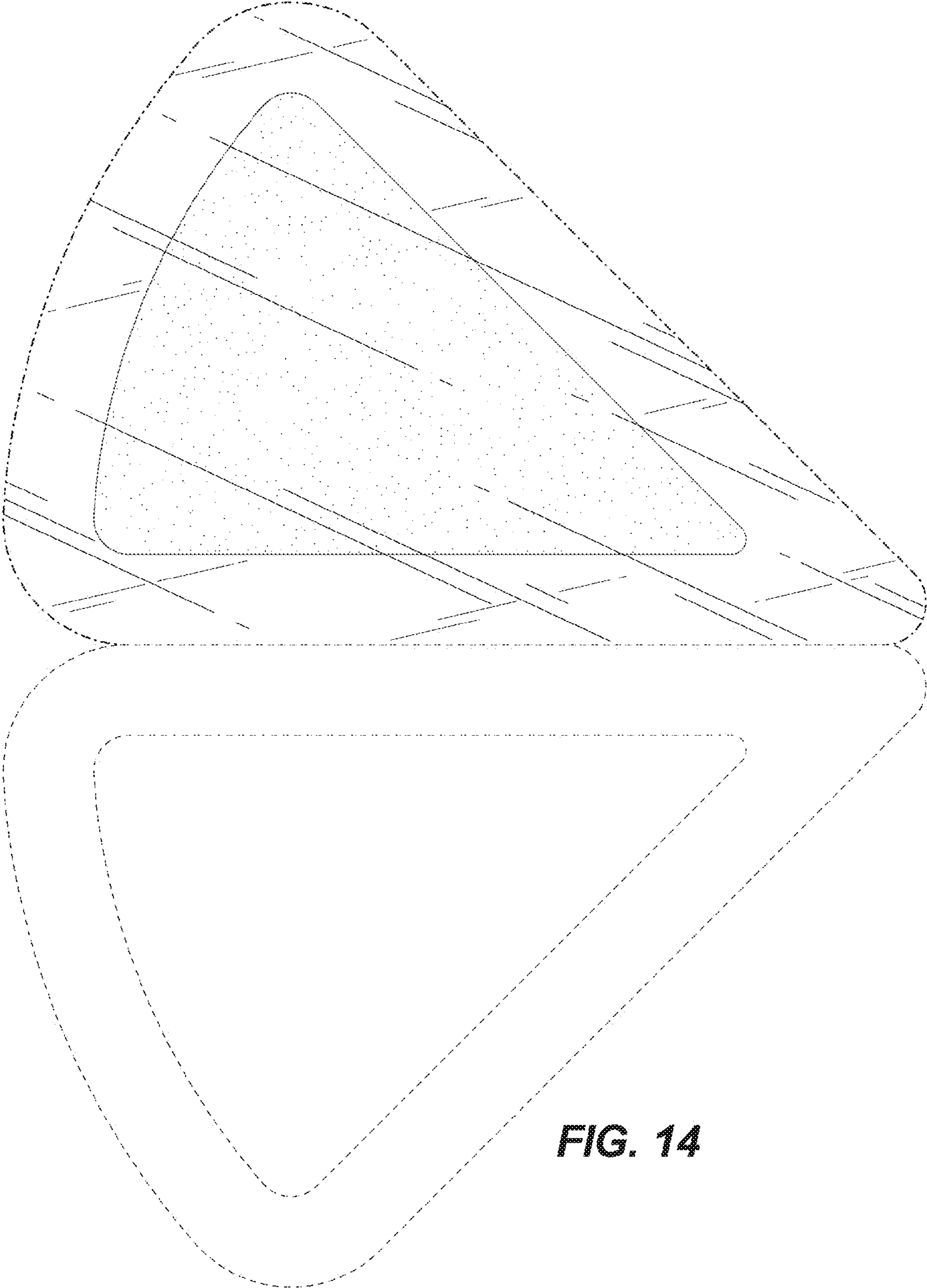
**FIG. 11**



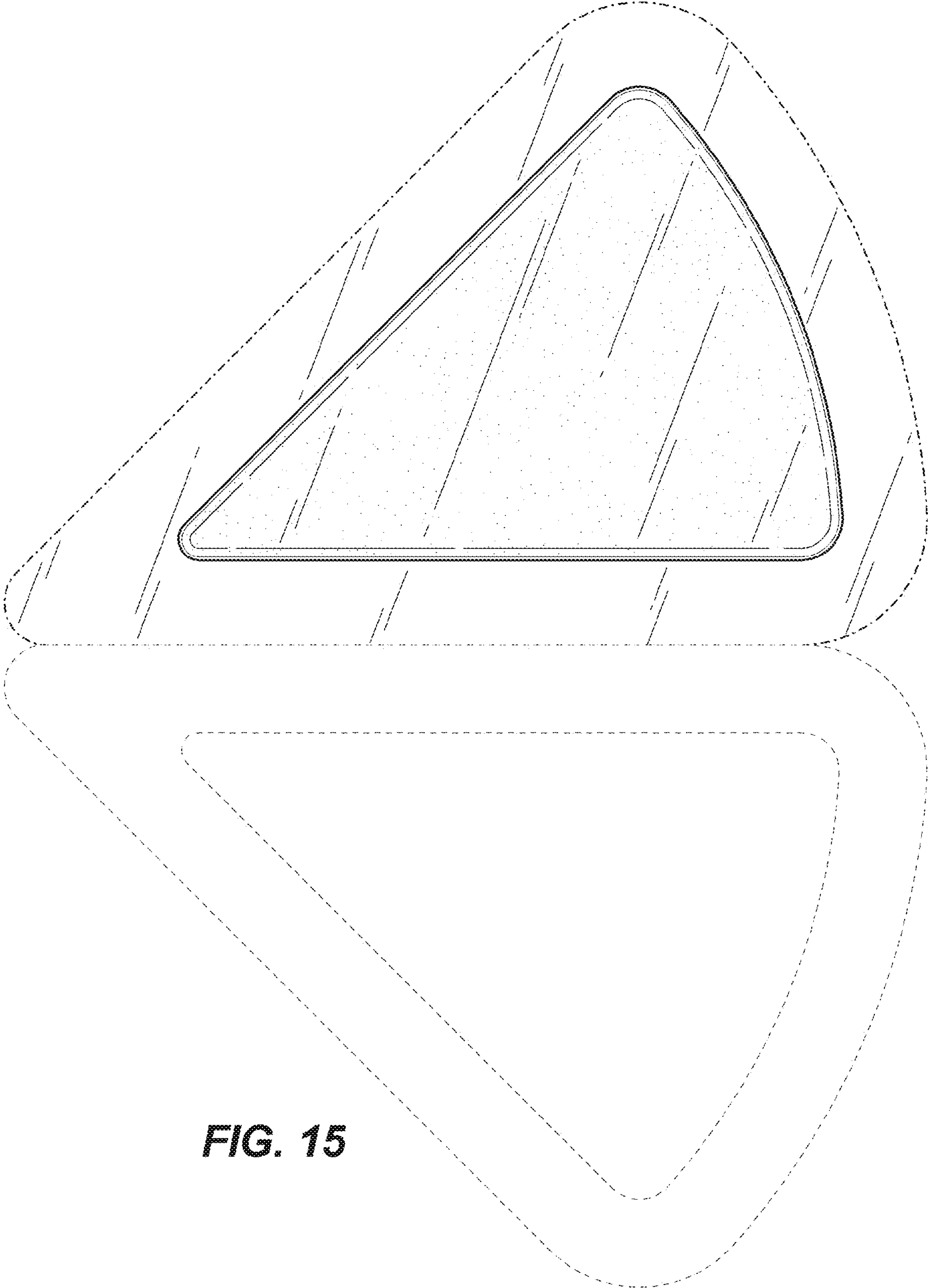
**FIG. 12**



**FIG. 13**



**FIG. 14**



**FIG. 15**



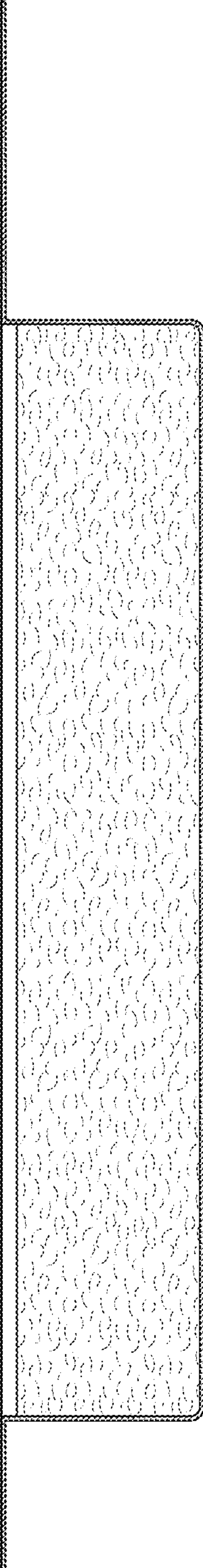


FIG. 16