

US00D934065S

(12) **United States Design Patent** (10) **Patent No.:** **US D934,065 S**
Purkey et al. (45) **Date of Patent:** **** Oct. 26, 2021**

(54) **FOOD PACKAGE**

(71) Applicant: **Sargento Foods Inc.**, Plymouth, WI (US)

(72) Inventors: **Todd Purkey**, Elkhart Lake, WI (US); **Ryan Hartman**, Chippewa Falls, WI (US); **Jeff Karp**, Streetsboro, OH (US)

(73) Assignee: **Sargento Foods Inc.**, Plymouth, WI (US)

(**) Term: **15 Years**

(21) Appl. No.: **29/780,579**

(22) Filed: **Apr. 26, 2021**

Related U.S. Application Data

(62) Division of application No. 29/660,927, filed on Aug. 23, 2018, now Pat. No. Des. 920,094.

(51) **LOC (13) Cl.** **09-03**

(52) **U.S. Cl.**
USPC **D9/416**

(58) **Field of Classification Search**
USPC D9/414–418, 425, 424, 420; D7/538,
D7/628, 359, 629; D6/552; D24/113,
D24/117

(Continued)

(56) **References Cited**

U.S. PATENT DOCUMENTS

2,789,608 A 4/1957 Tupper
3,016,129 A 11/1957 King, III
(Continued)

OTHER PUBLICATIONS

“Small size clamshell . . .” reference dated Sep. 9, 2021 found on the internet at: <https://www.alibaba.com/product-detail/Small-size->

clamshell-triangular-plastic-sandwich_1600131394423.html?spm=a2700.galleryofferlist.normal_offer.d_title.69c845eeJzq2m2.*

(Continued)

Primary Examiner — Rhea Shields

(74) *Attorney, Agent, or Firm* — Boyle Fredrickson, SC

(57) **CLAIM**

We claim the ornamental design for a food package, as shown and described.

DESCRIPTION

FIG. 1 is a top perspective view of a first embodiment of a food package.

FIG. 2 is a left side view thereof.

FIG. 3 is a right side view thereof

FIG. 4 is a front view thereof.

FIG. 5 is a rear view thereof.

FIG. 6 is a top view thereof.

FIG. 7 is a bottom view thereof.

FIG. 8 is a top perspective view of a second embodiment of a food package.

FIG. 9 is a left side view of thereof.

FIG. 10 is a right side view thereof.

FIG. 11 is a front view thereof.

FIG. 12 is a rear view thereof.

FIG. 13 is a top view thereof.

FIG. 14 is a bottom view thereof.

FIG. 15 is a top perspective view of a third embodiment of a food package.

FIG. 16 is a left side view thereof.

FIG. 17 is a right side view thereof.

FIG. 18 is a front view thereof

FIG. 19 is a rear view thereof.

FIG. 20 is a top view thereof.

FIG. 21 is a bottom view thereof.

FIG. 22 is a top perspective view of a fourth embodiment of a food package.

FIG. 23 is a left side view thereof

FIG. 24 is a right side view thereof.

FIG. 25 is a front view thereof

FIG. 26 is a rear view thereof.

FIG. 27 is a top view thereof; and,

(Continued)

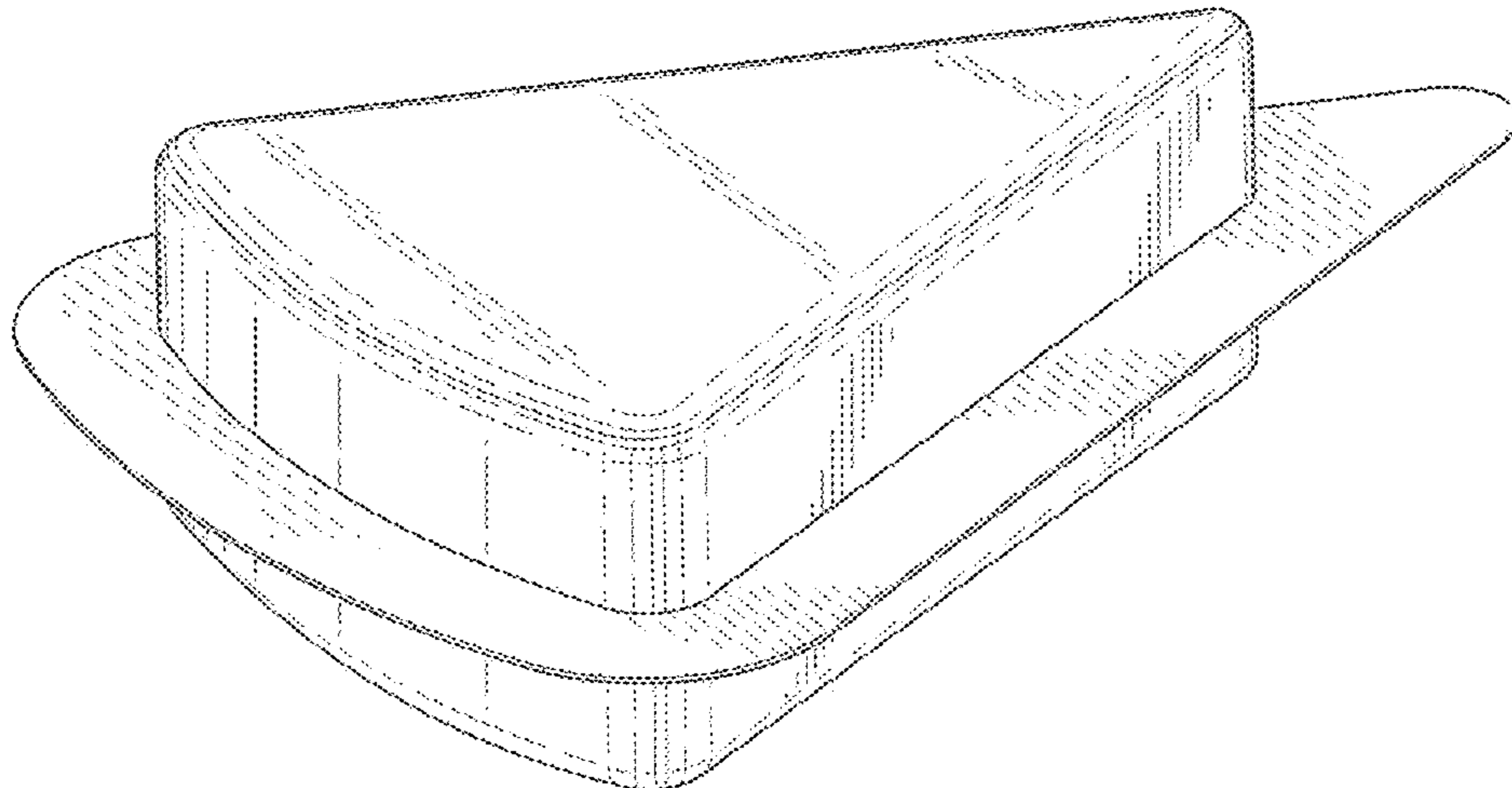


FIG. 28 is a bottom view thereof.
In FIGS. 8-14 and 22-28, stippling and straight-line surface shading represent contrast in materials.

1 Claim, 16 Drawing Sheets

(58) **Field of Classification Search**

CPC B65D 85/36; B65D 43/162; B65D 1/34;
B65D 43/0212; B65H 49/08
See application file for complete search history.

(56) **References Cited**

U.S. PATENT DOCUMENTS

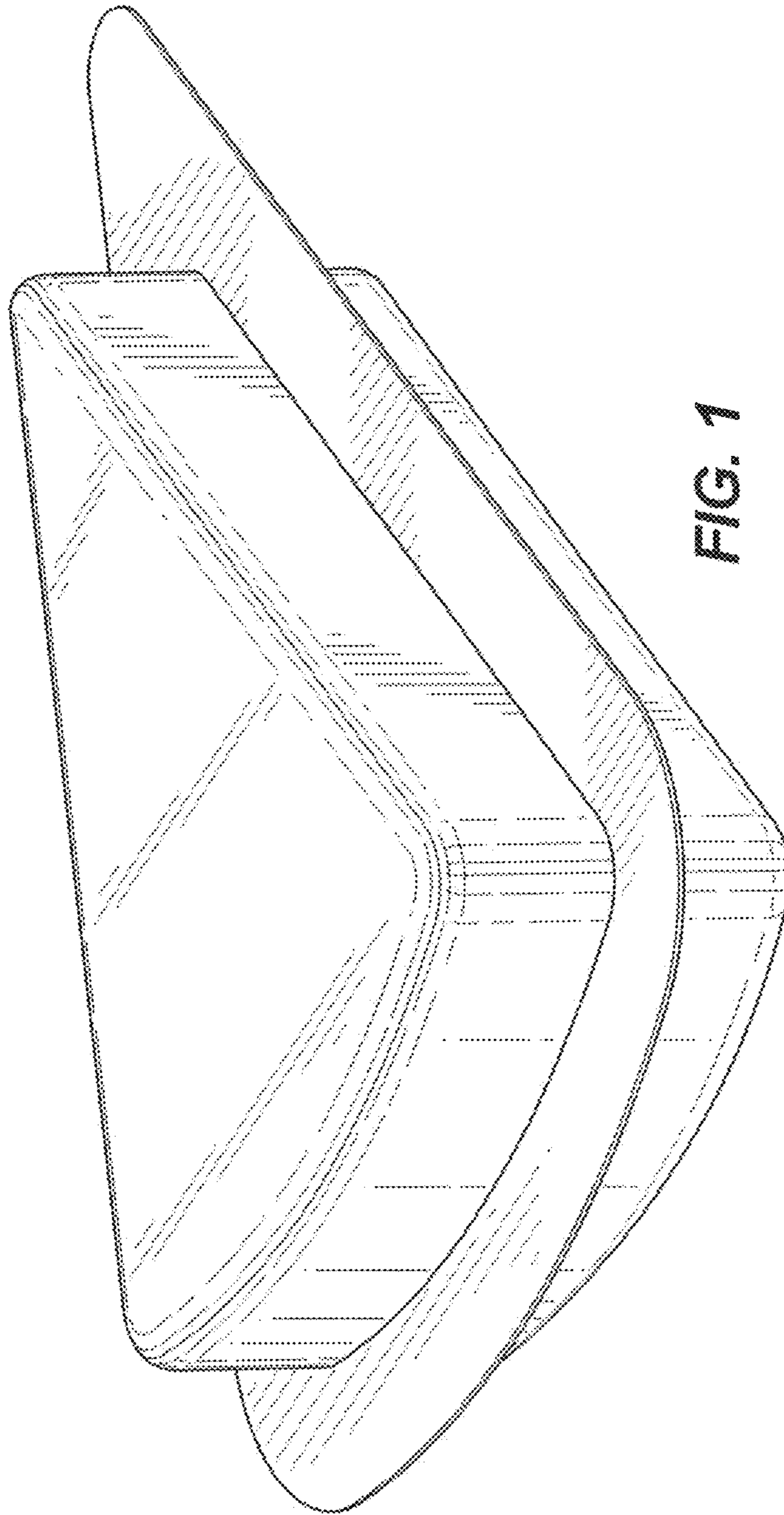
3,556,337	A	1/1971	Harmon et al.	
D220,752	S *	5/1971	Artz	D9/425
3,620,403	A *	11/1971	Rump	B65D 43/0212 220/4.24
3,620,411	A *	11/1971	Rump	B65D 43/162 220/315
4,226,358	A	10/1980	Ottow	
4,232,816	A	11/1980	Johnson et al.	
4,241,863	A	12/1980	Faller	
D265,760	S *	8/1982	Lahay	D24/117
4,373,636	A	2/1983	Hoffman	
4,472,896	A	9/1984	Brauner et al.	
4,592,914	A	6/1986	Kuchenbecker	
4,662,188	A	5/1987	Hullihan	
4,811,846	A *	3/1989	Bottega	B65D 1/34 206/542
4,915,251	A	4/1990	Payne	
4,934,586	A	6/1990	Kadien	
4,955,527	A	9/1990	Blackman et al.	
5,012,971	A	5/1991	Cozzi et al.	
5,131,551	A	7/1992	Wells	
5,213,256	A	5/1993	Cyr	
D338,620	S	8/1993	Brozowski	
5,269,430	A *	12/1993	Schlaupitz	B65D 43/162 206/551
5,300,748	A	4/1994	Colombo	
5,312,634	A	5/1994	Griesbach et al.	
D349,050	S	7/1994	Krupa	
5,332,147	A	7/1994	Sorenson	
5,462,192	A	10/1995	Pomroy et al.	
5,503,858	A	4/1996	Reskow	
D373,311	S	9/1996	Hotz	
D391,808	S *	3/1998	Voegel	D7/538
D392,883	S	3/1998	Ferrin	
5,816,485	A	10/1998	Bernstein	
5,860,549	A	1/1999	Allers et al.	
5,897,011	A	4/1999	Brilliant et al.	
5,950,854	A	9/1999	Rider, Jr. et al.	
D416,484	S *	11/1999	Voden	D6/552
D418,371	S *	1/2000	Whitehead	D7/538
D425,790	S	5/2000	Rondolino	
6,135,304	A	10/2000	Wyslotsky	
D438,463	S	3/2001	Schill et al.	
6,283,364	B1	9/2001	Gray, Sr.	
6,349,875	B1	2/2002	Whitnell	

D507,453	S *	7/2005	Mills	D7/359
D519,830	S	5/2006	Yocum	
D530,197	S *	10/2006	LaMasney	D9/420
D533,971	S	12/2006	Carter et al.	
D541,145	S *	4/2007	Copp	B65H 49/08 D9/415
7,287,660	B2	10/2007	Ramirez et al.	
D585,735	S	2/2009	Vovan et al.	
7,597,206	B2	10/2009	Atkins et al.	
D604,118	S *	11/2009	Braidotti	D7/628
7,628,313	B2	12/2009	Fry	
D632,955	S	2/2011	Smith, III et al.	
D638,534	S *	5/2011	Moga	D24/113
8,066,125	B2 *	11/2011	Kang	B65D 43/164 206/705
8,146,743	B2	4/2012	Stonehouse	
8,251,249	B1	8/2012	Vovan	
D670,162	S *	11/2012	Segal	D9/424
D679,198	S	4/2013	O'Connor et al.	
D683,192	S	5/2013	Schwartz et al.	
D688,920	S *	9/2013	Manley	D7/629
8,523,049	B2	9/2013	Fitzwater	
8,541,038	B2	9/2013	Feldmeier et al.	
D693,219	S *	11/2013	Limback	D9/424
8,657,138	B2	2/2014	Everson	
8,672,215	B2	3/2014	Learn	
8,733,626	B2	5/2014	Learn	
D707,550	S *	6/2014	Limback	D9/424
8,740,050	B2	6/2014	Zinck et al.	
8,807,385	B1	8/2014	Fosse	
8,820,621	B2	9/2014	Burke et al.	
8,850,969	B2	10/2014	Ewald et al.	
8,960,480	B2	2/2015	Clark	
9,102,446	B2	8/2015	Kowal et al.	
9,139,330	B2	9/2015	Gomez	
9,233,515	B2	1/2016	Cook et al.	
D758,741	S	6/2016	Sussman	
D867,872	S *	11/2019	Labonte	D9/424
D874,881	S	2/2020	Mastronardi	
2004/0207113	A1	10/2004	Huisman	
2005/0112243	A1	5/2005	Bellmann et al.	
2006/0068063	A1	3/2006	Zerfas et al.	
2007/0012754	A1	1/2007	Stier	
2007/0012755	A1 *	1/2007	Metcalf	B65D 85/36 229/114
2008/0110966	A1	5/2008	Yocum	
2009/0145090	A1	6/2009	Vassigh et al.	
2011/0114526	A1	5/2011	Neumann et al.	
2011/0132796	A1	6/2011	Epstein et al.	
2013/0320005	A1	12/2013	Bardwell et al.	
2014/0041343	A1	2/2014	Corbett et al.	
2014/0263599	A1	9/2014	Robertson	
2015/0272157	A1	10/2015	Vaccarella et al.	
2015/0272158	A1	10/2015	Vaccarella	
2015/0307257	A1	10/2015	Padda et al.	

OTHER PUBLICATIONS

Harpak-ULMA Packaging; Photograph of cheese snack packaging seen at the International Cheese Tech Expo; Apr. 17-19, 2018; Milwaukee, WI.

* cited by examiner



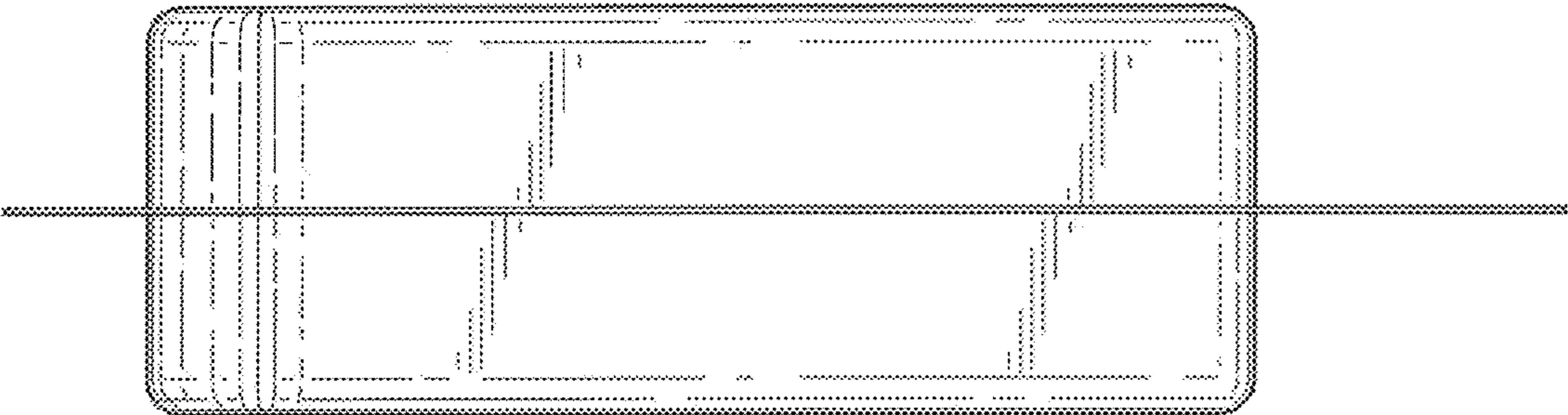


FIG. 2



FIG. 3

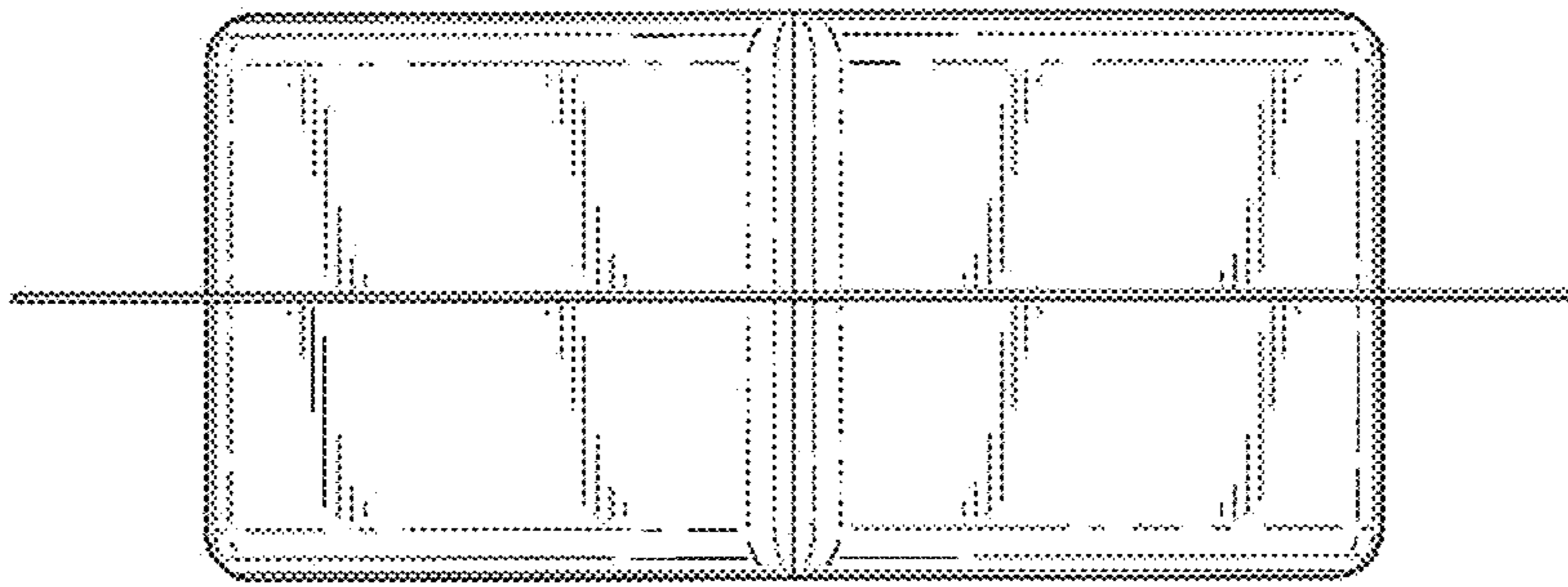


FIG. 4

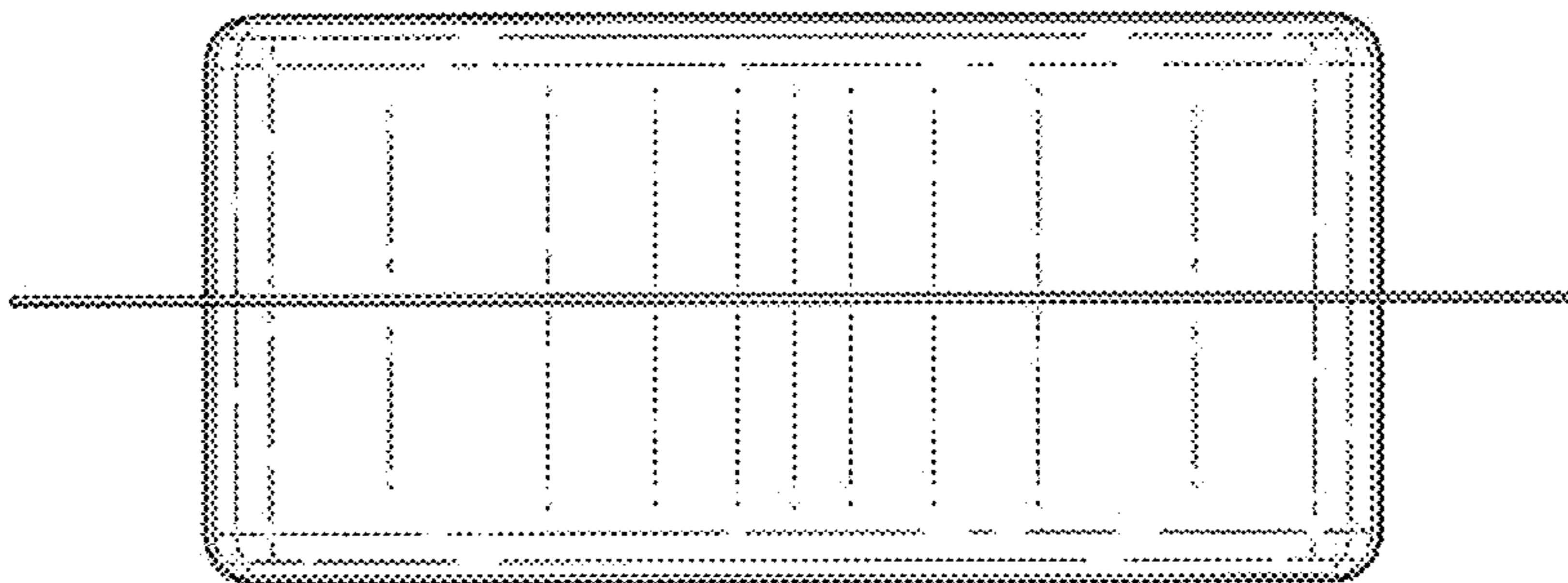


FIG. 5

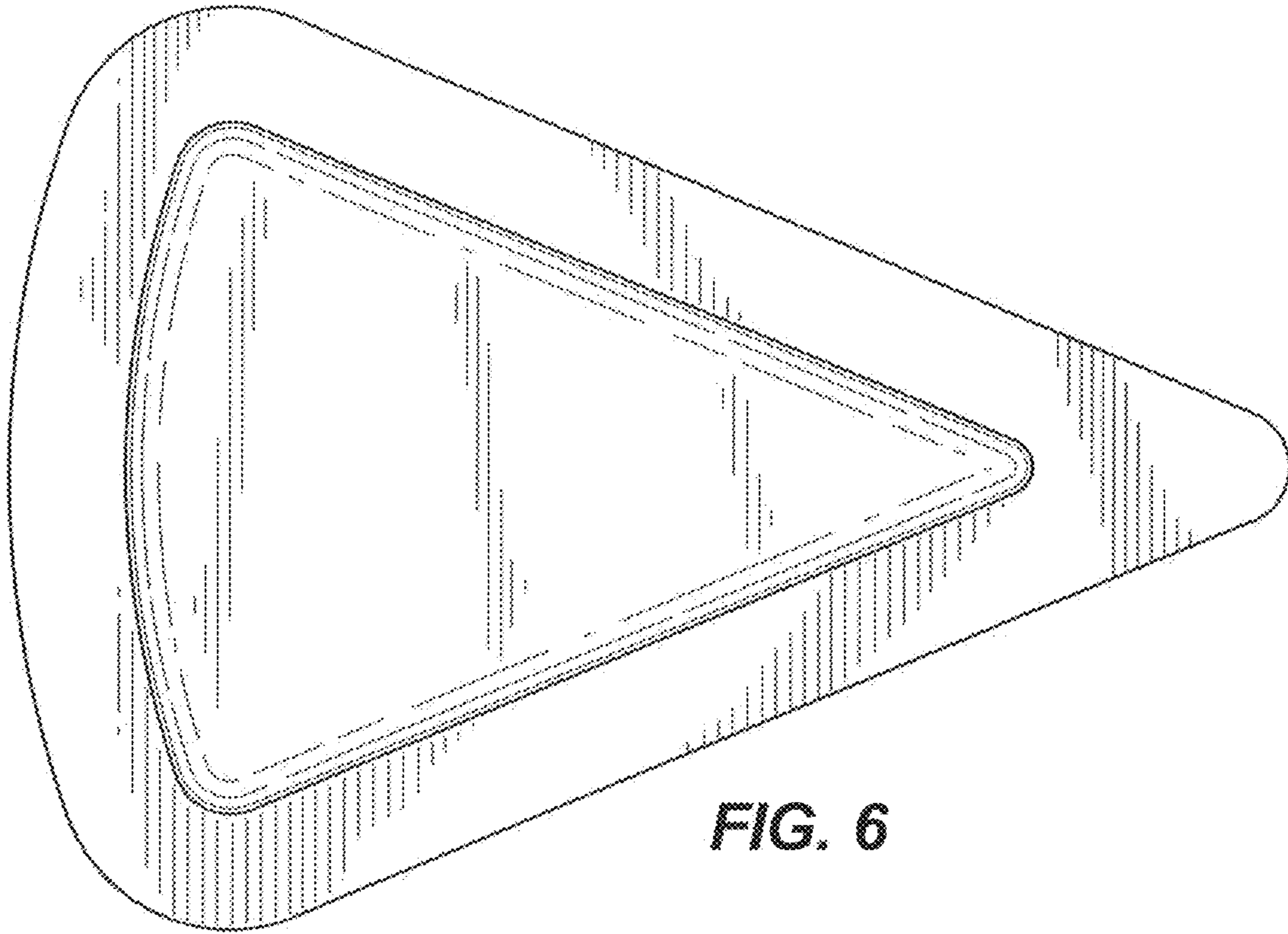


FIG. 6

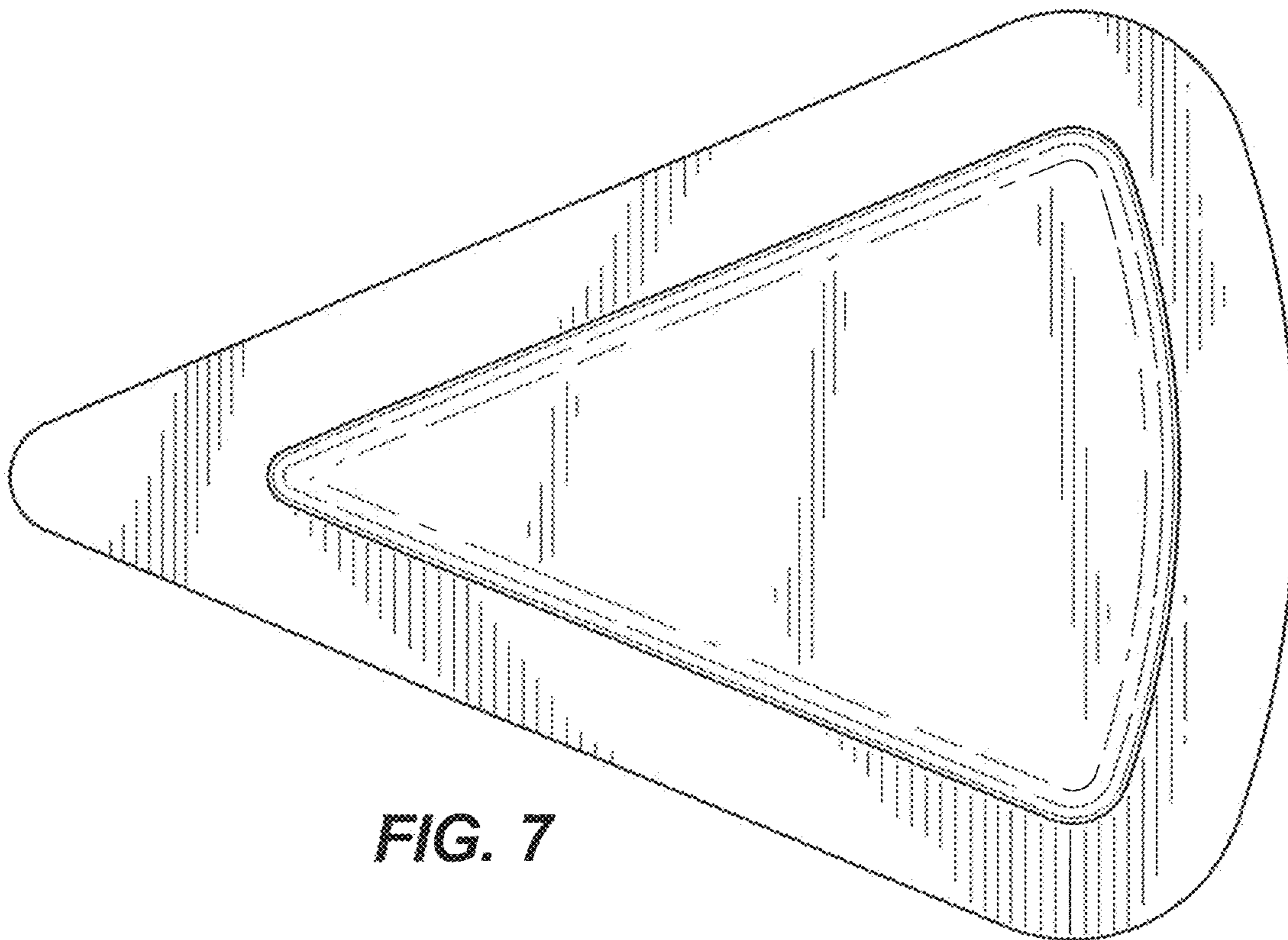


FIG. 7

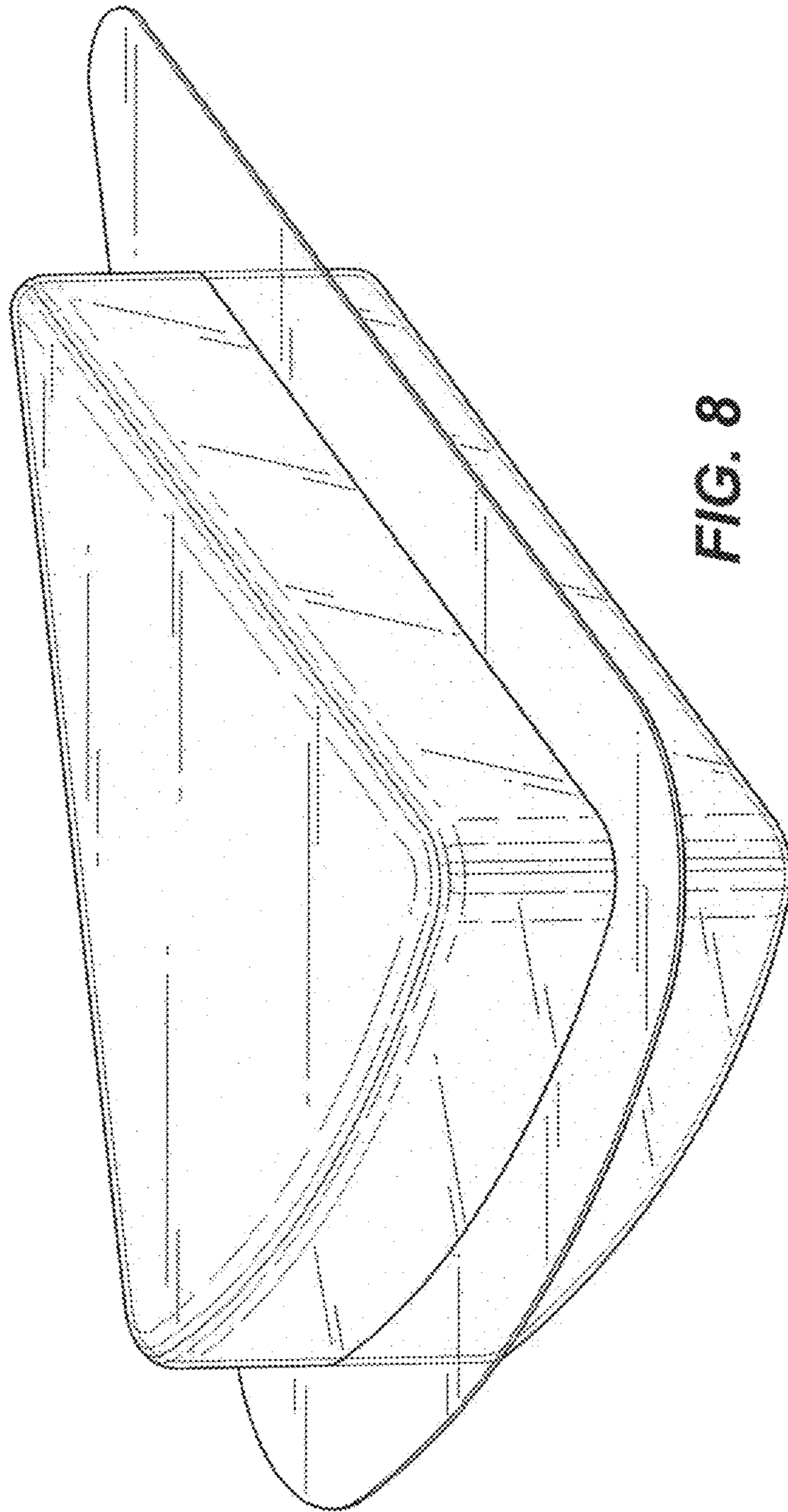


FIG. 8

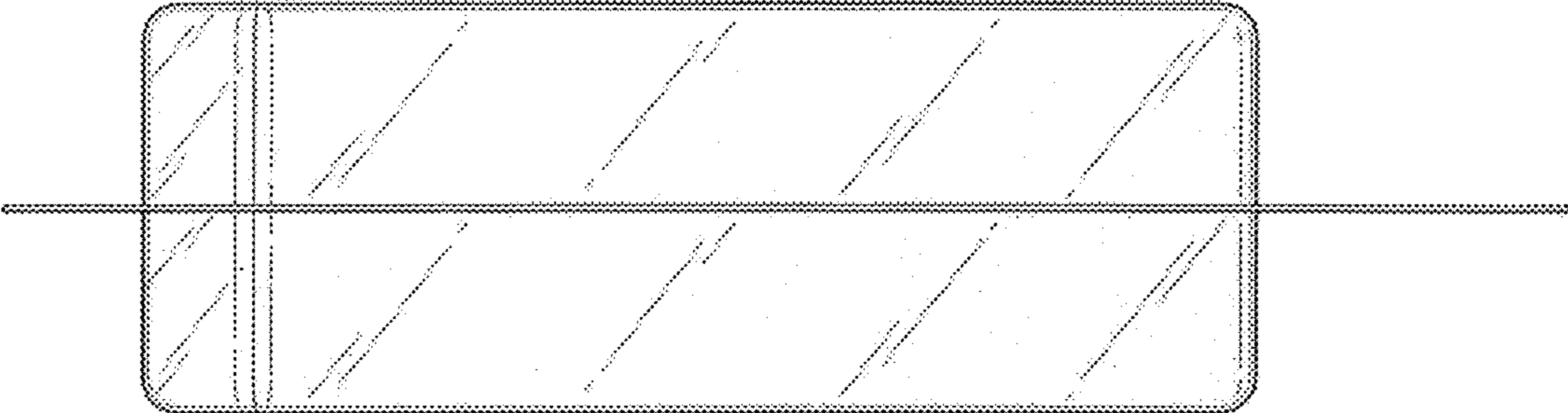


FIG. 9

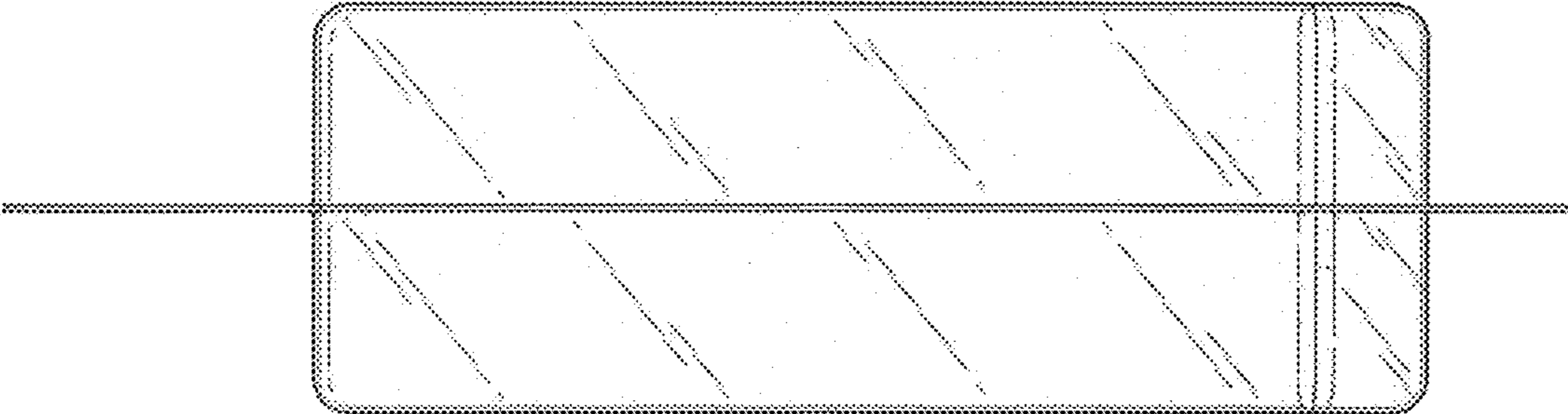


FIG. 10

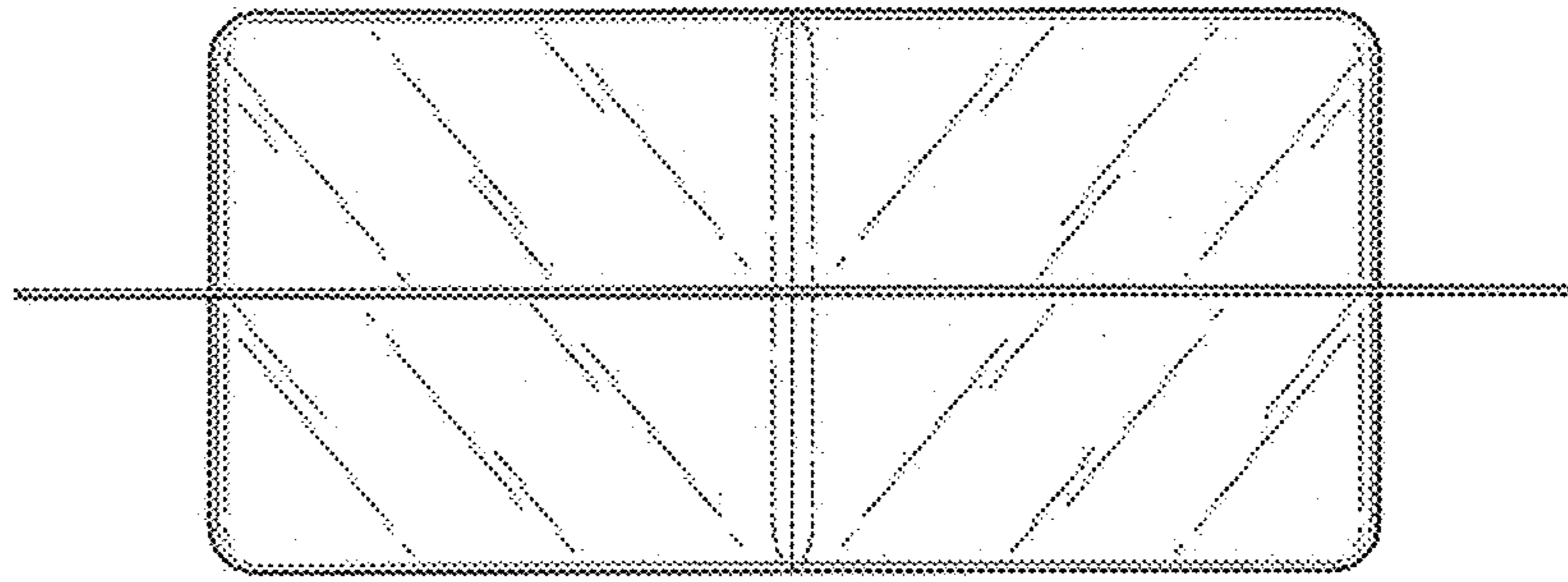


FIG. 11

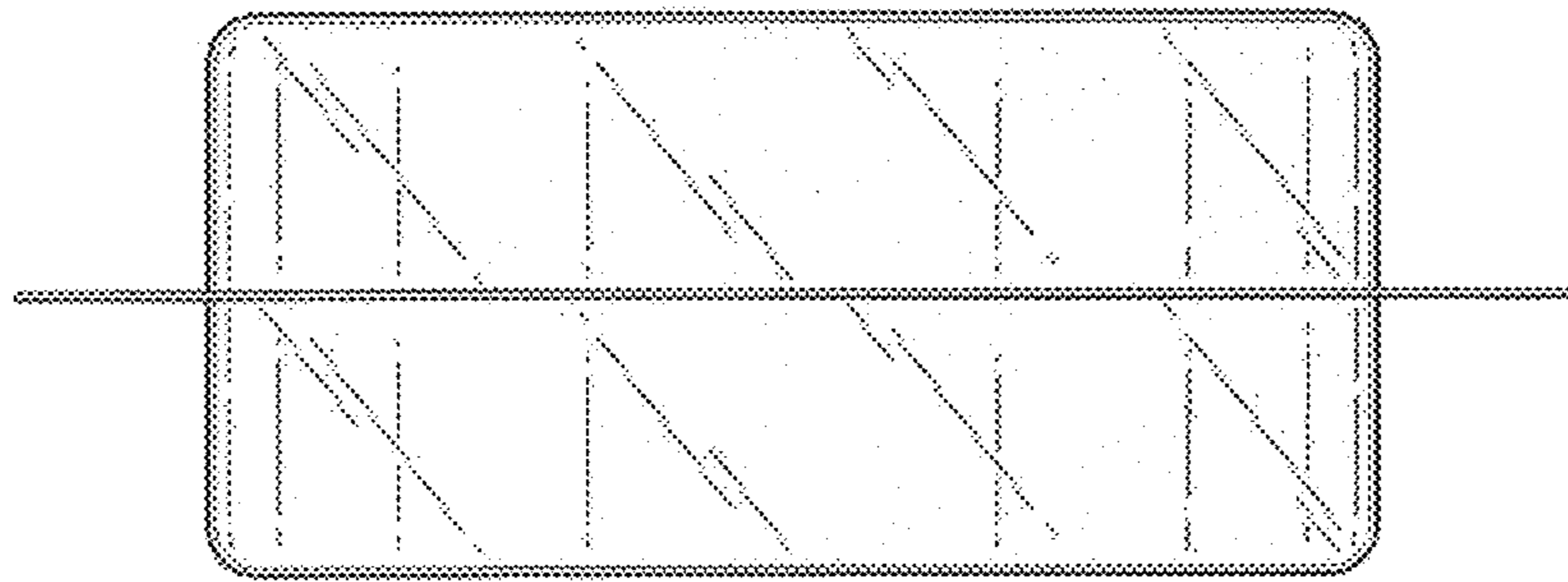


FIG. 12

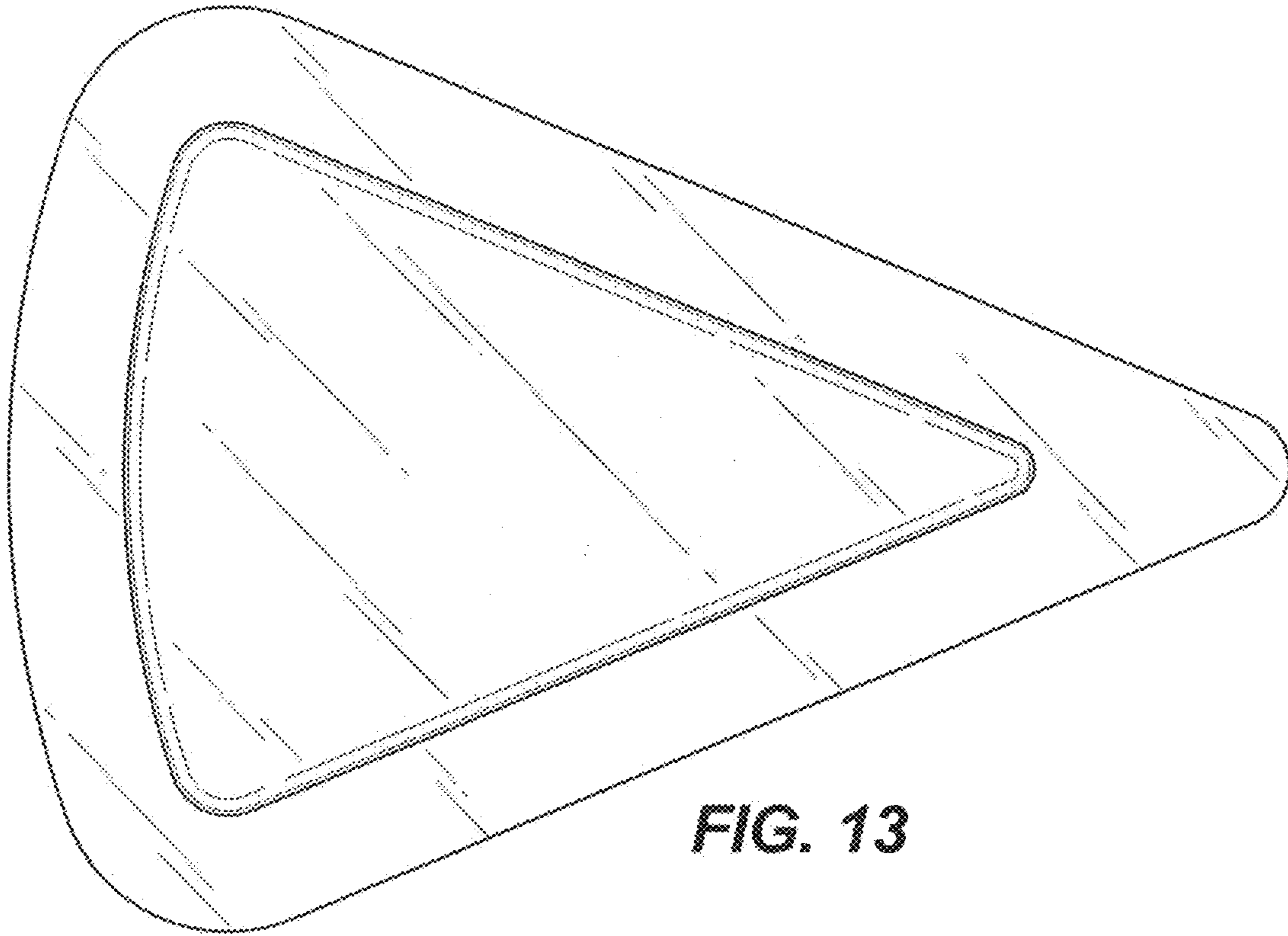


FIG. 13

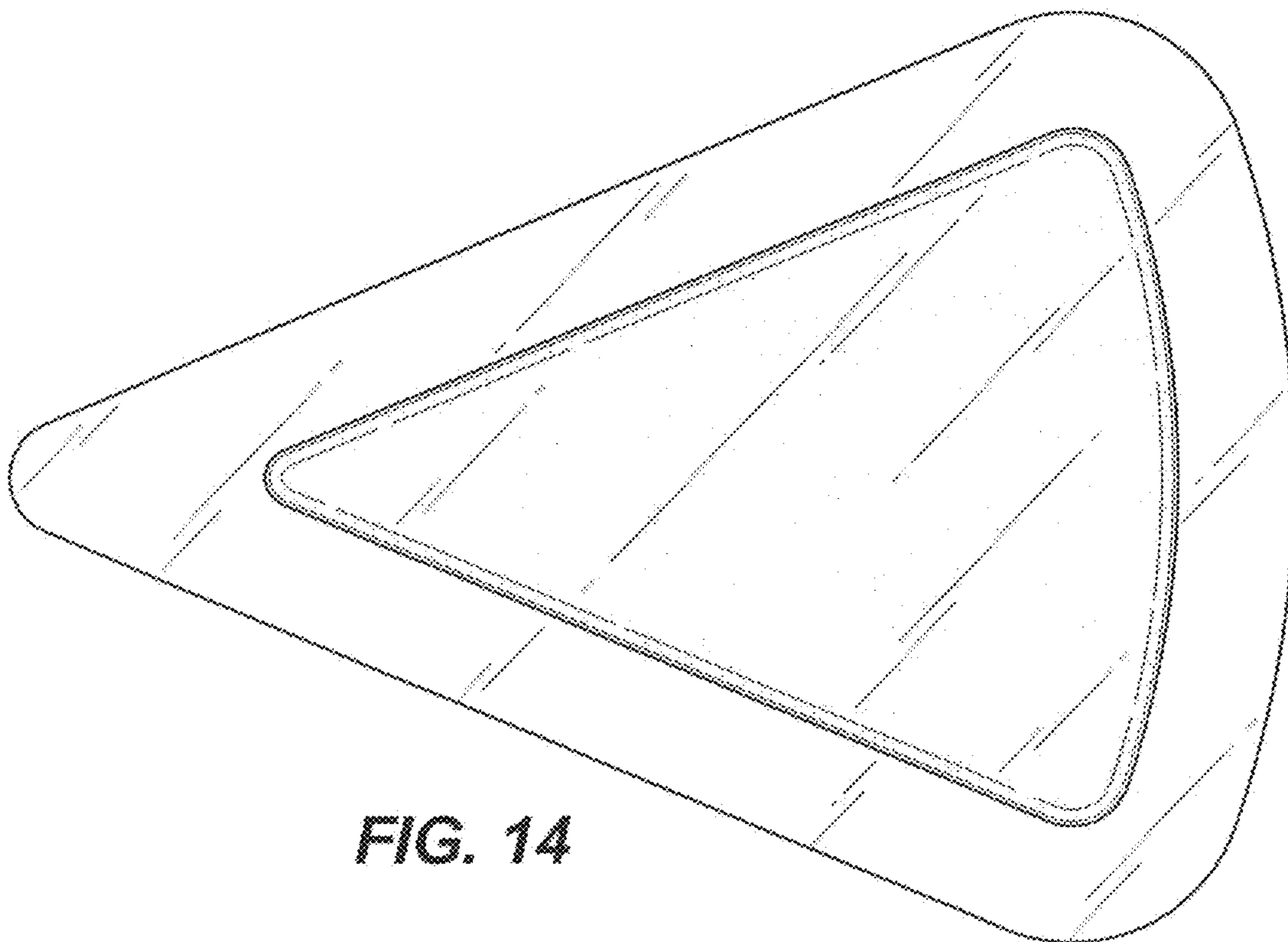


FIG. 14

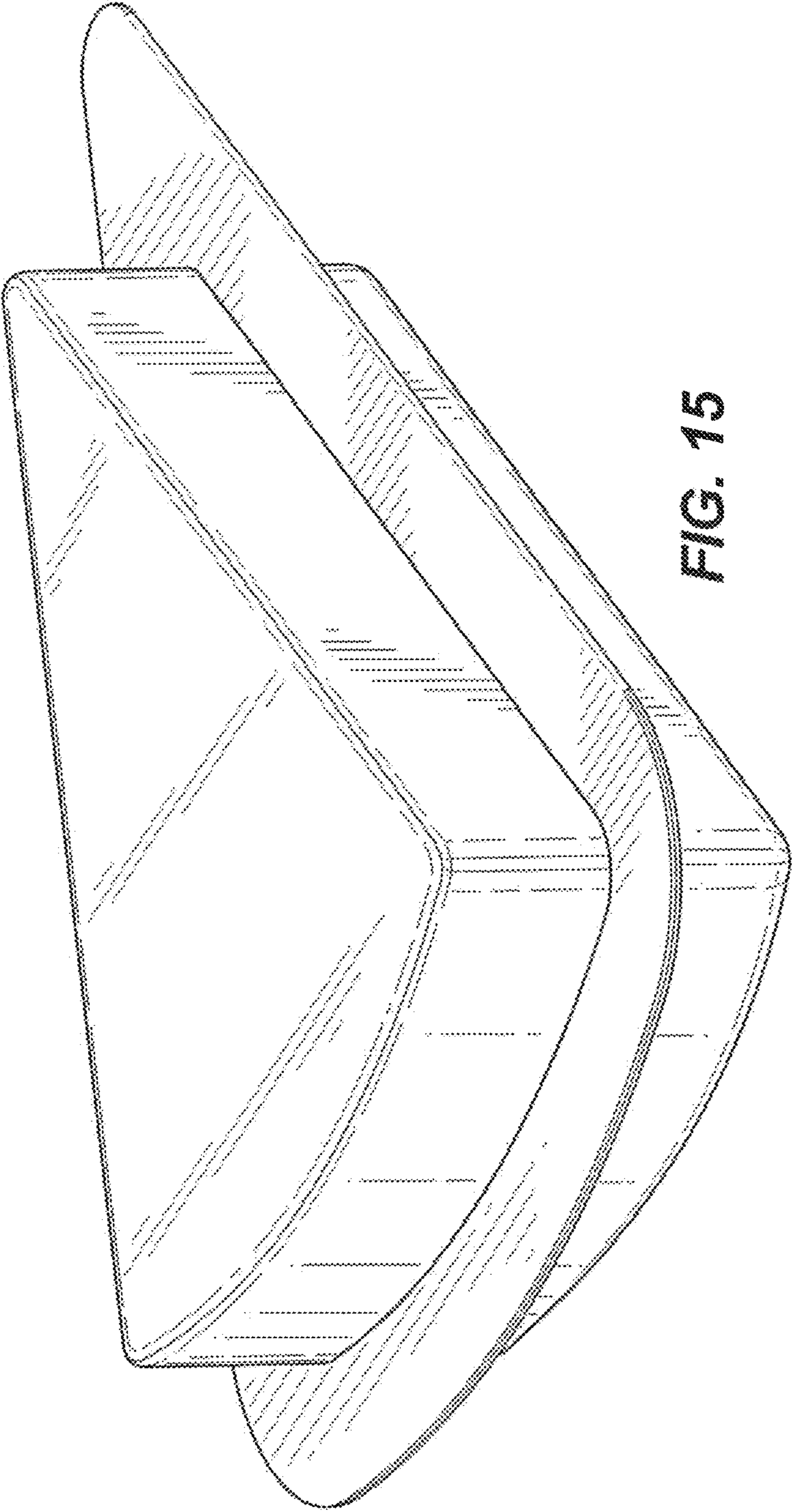


FIG. 15

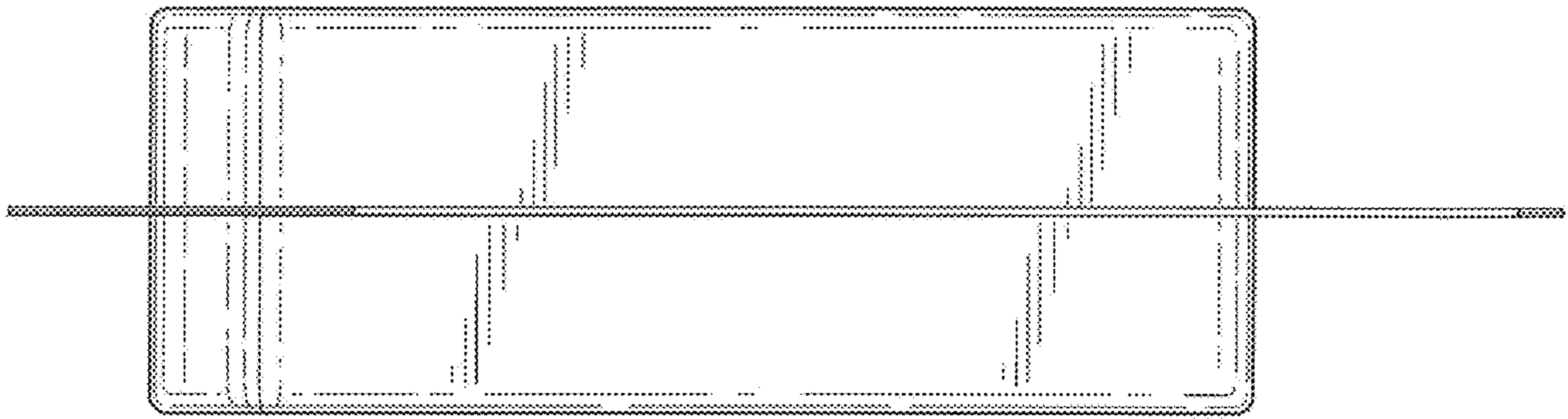


FIG. 16

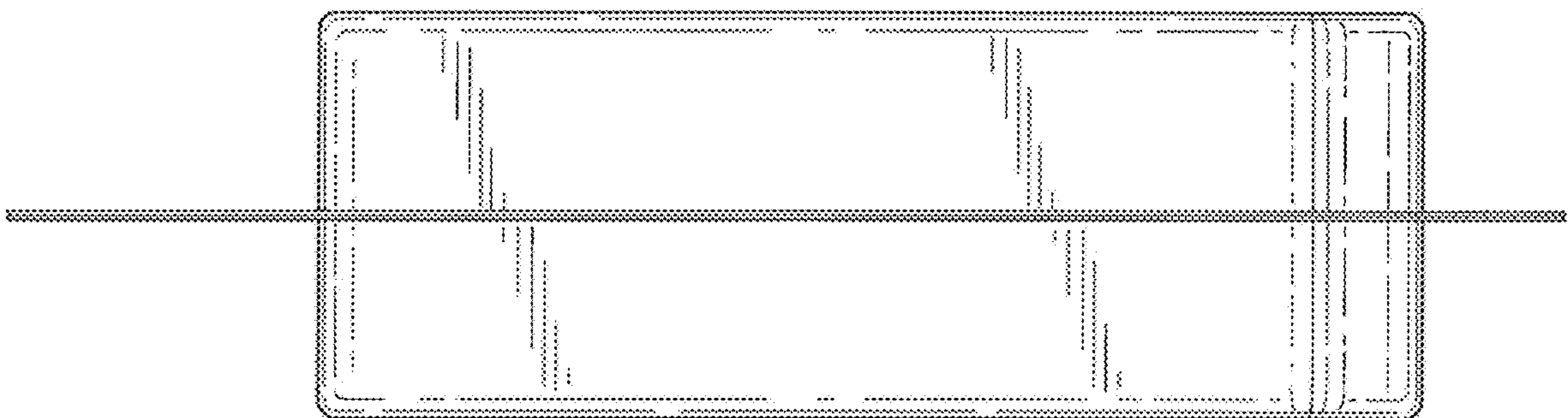


FIG. 17

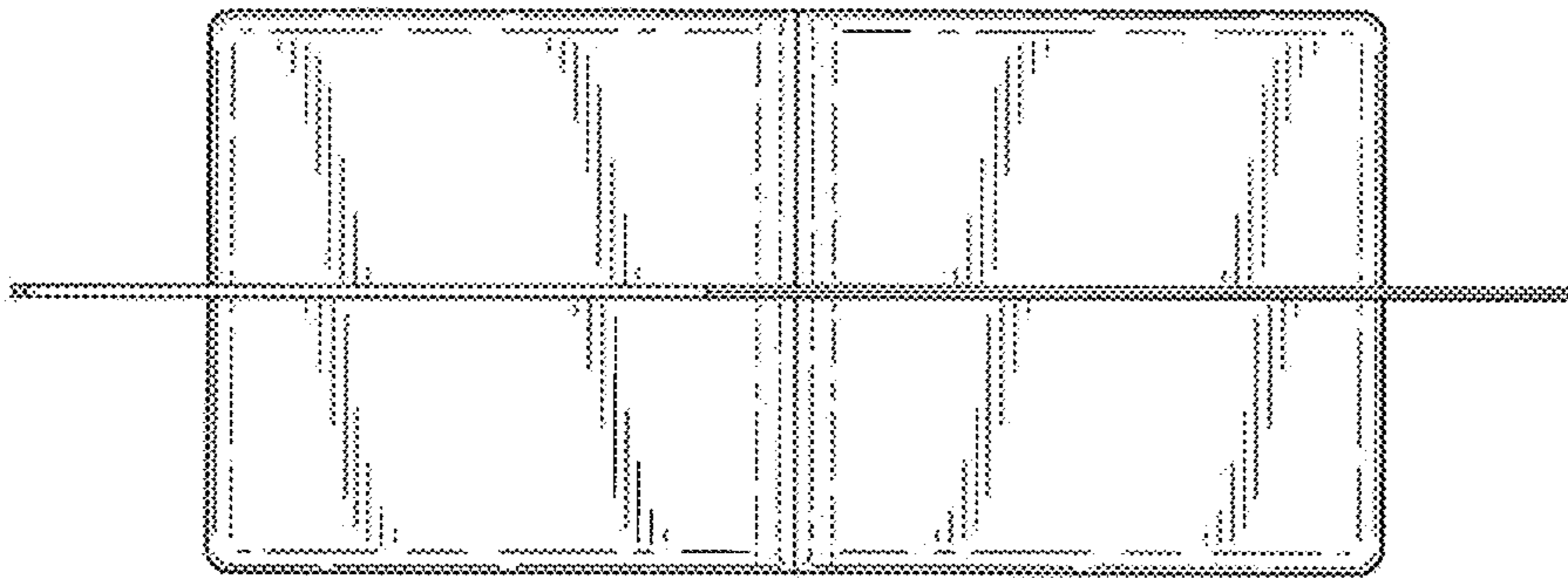


FIG. 18

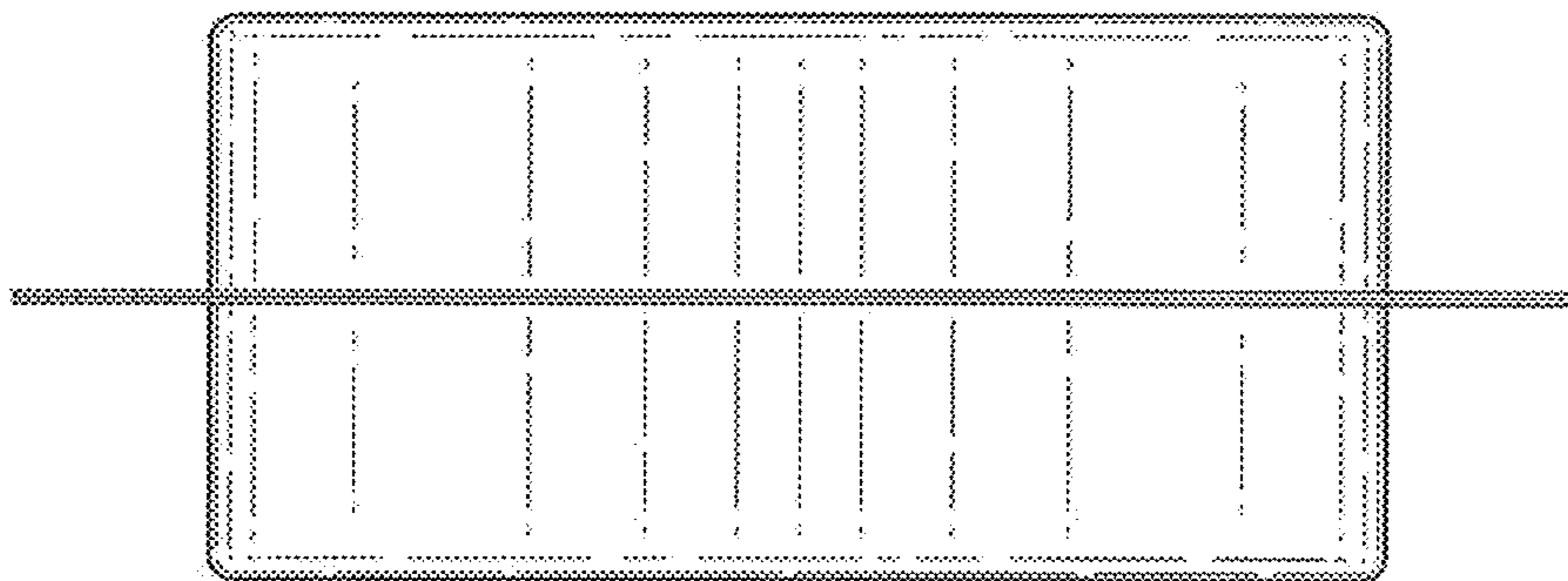


FIG. 19

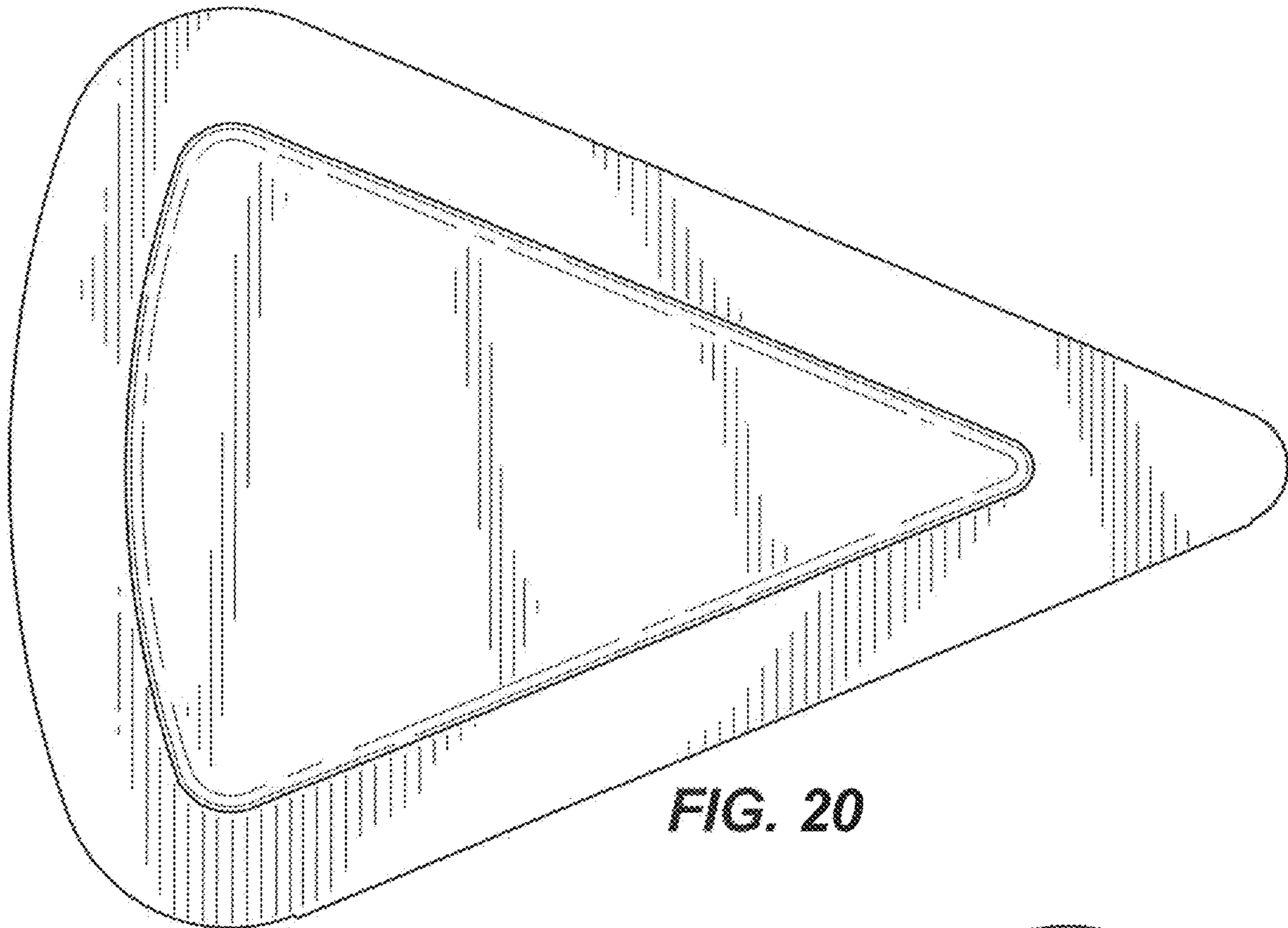


FIG. 20

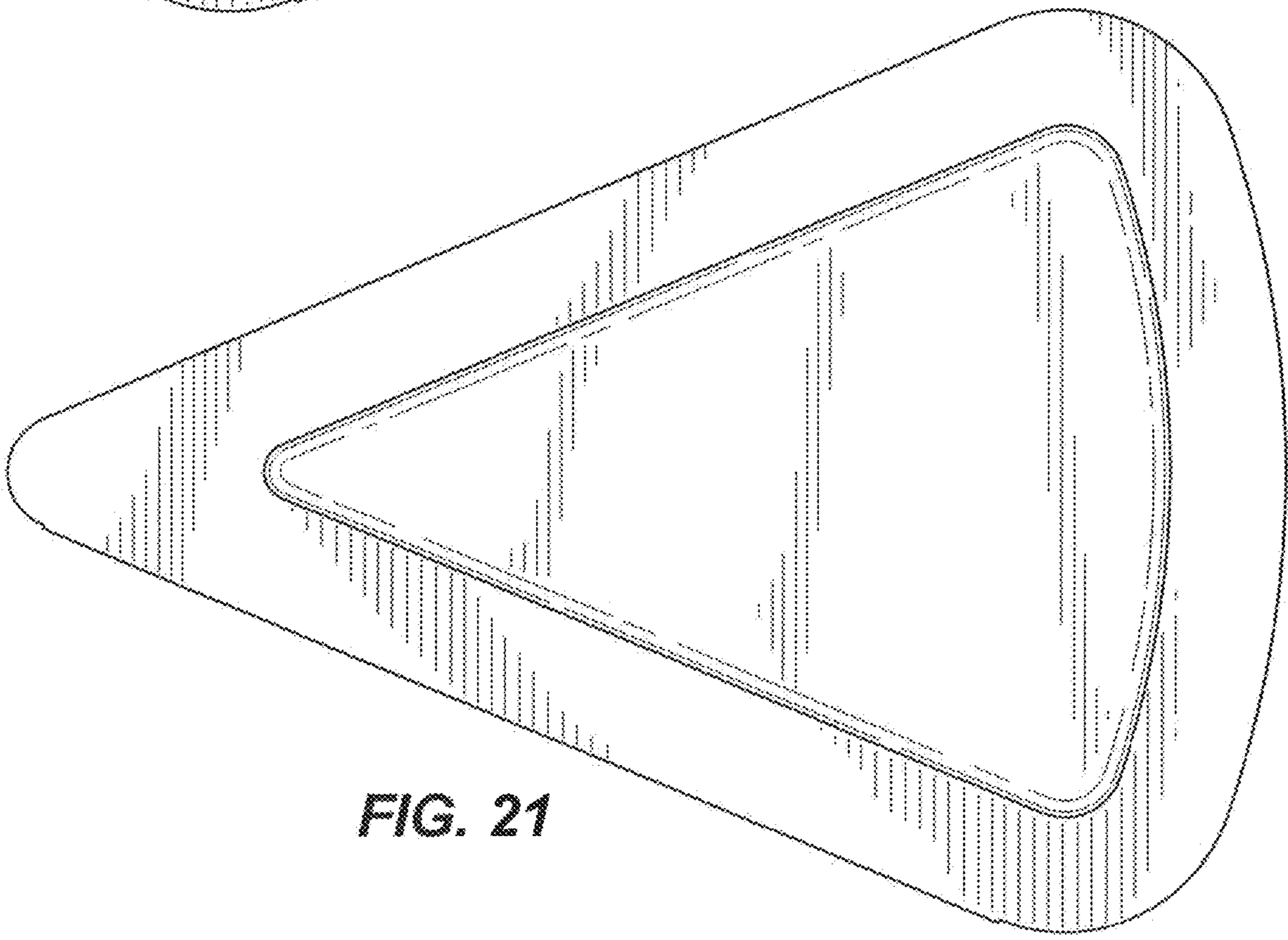


FIG. 21

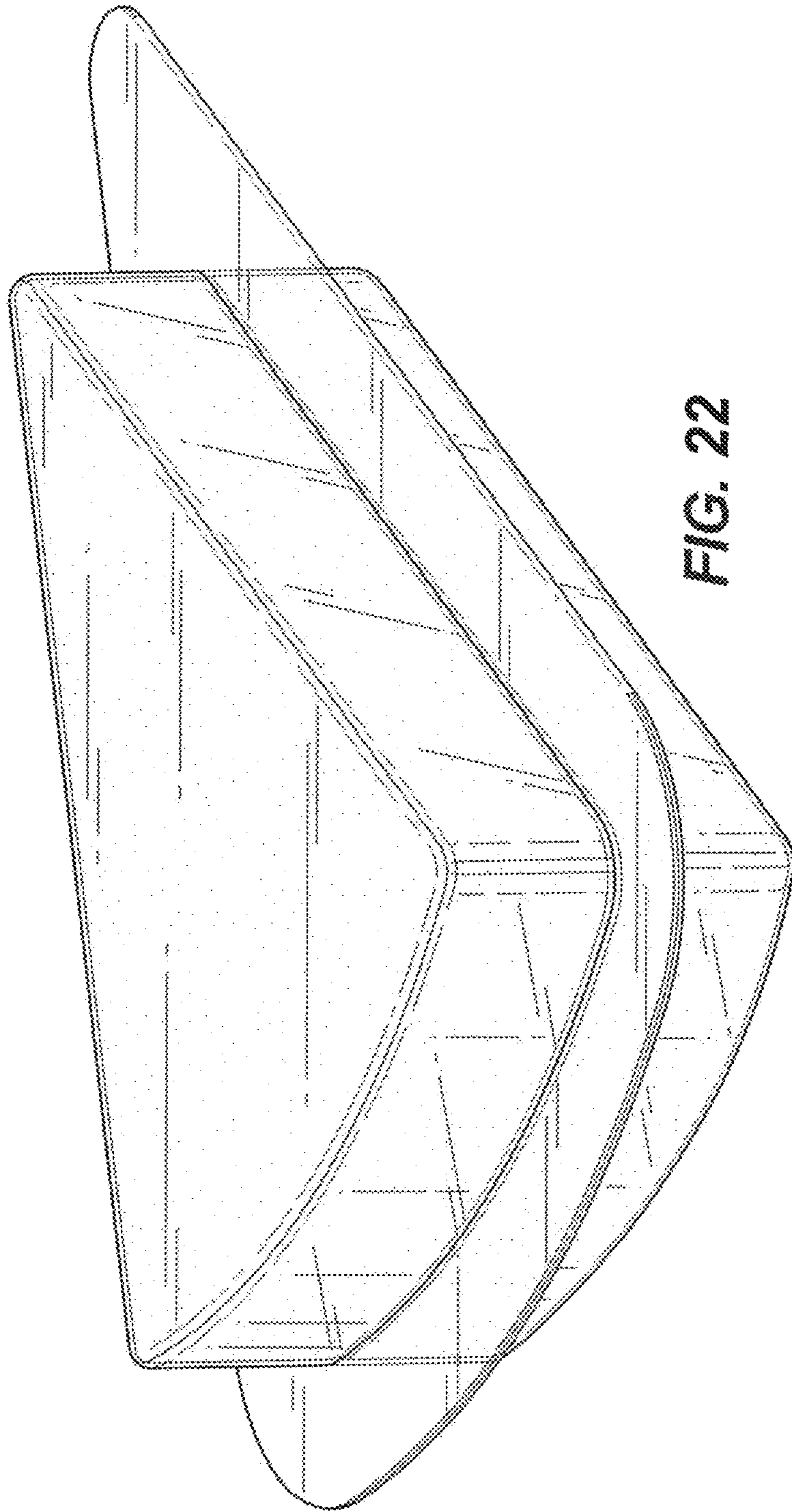


FIG. 22

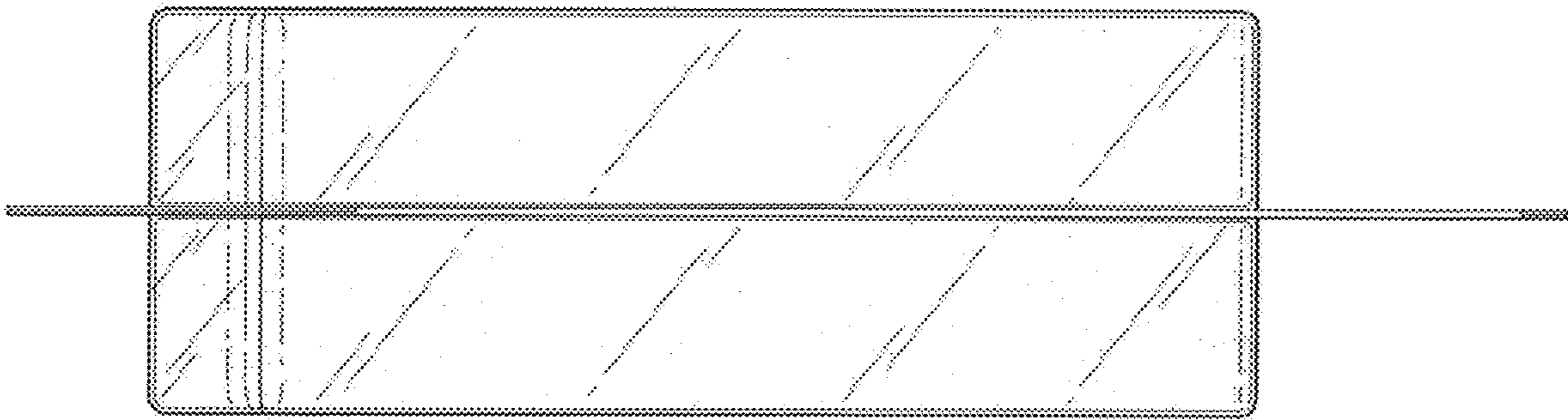


FIG. 23

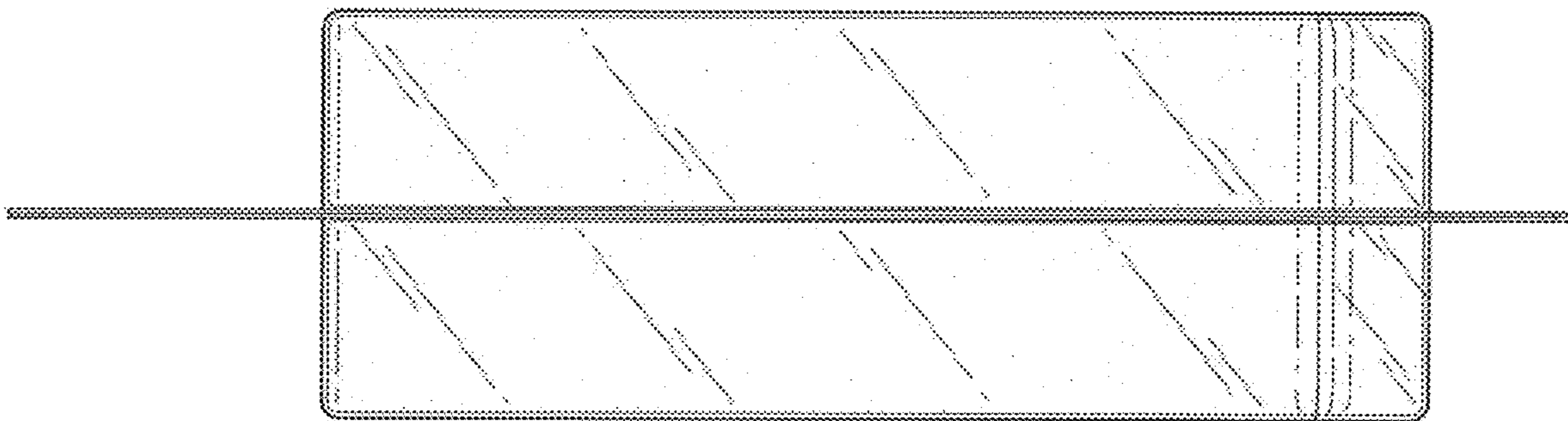


FIG. 24

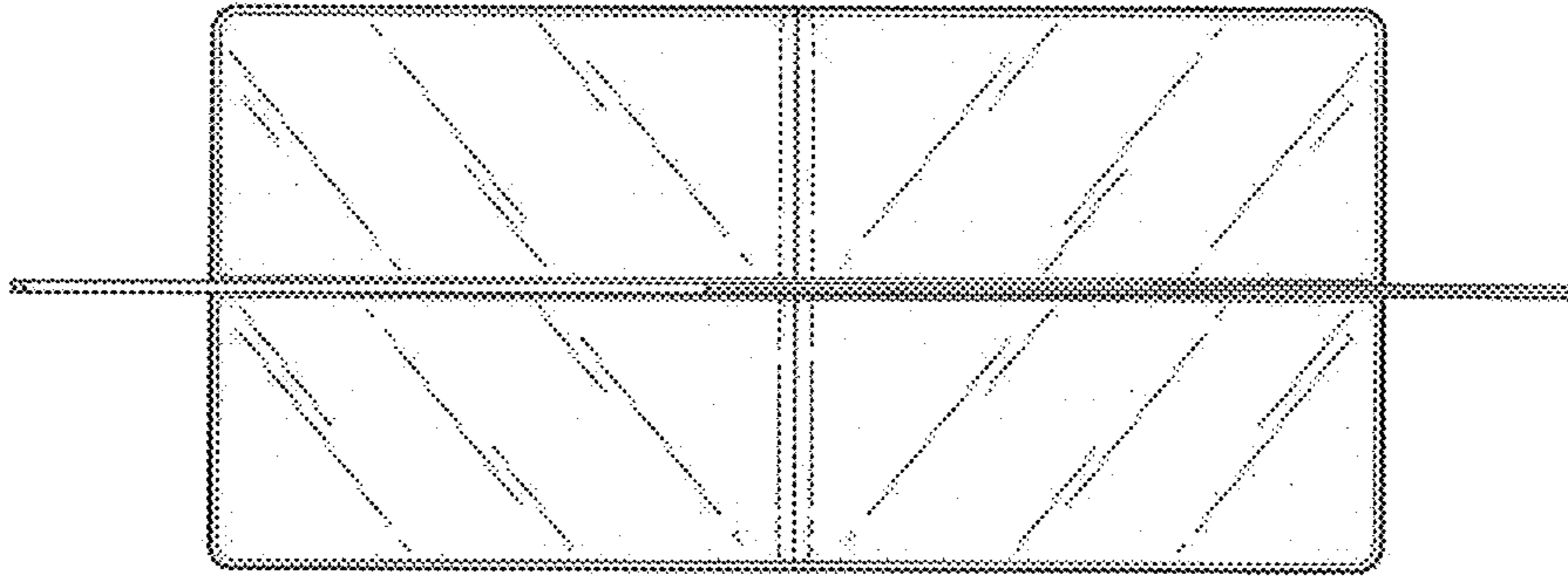


FIG. 25

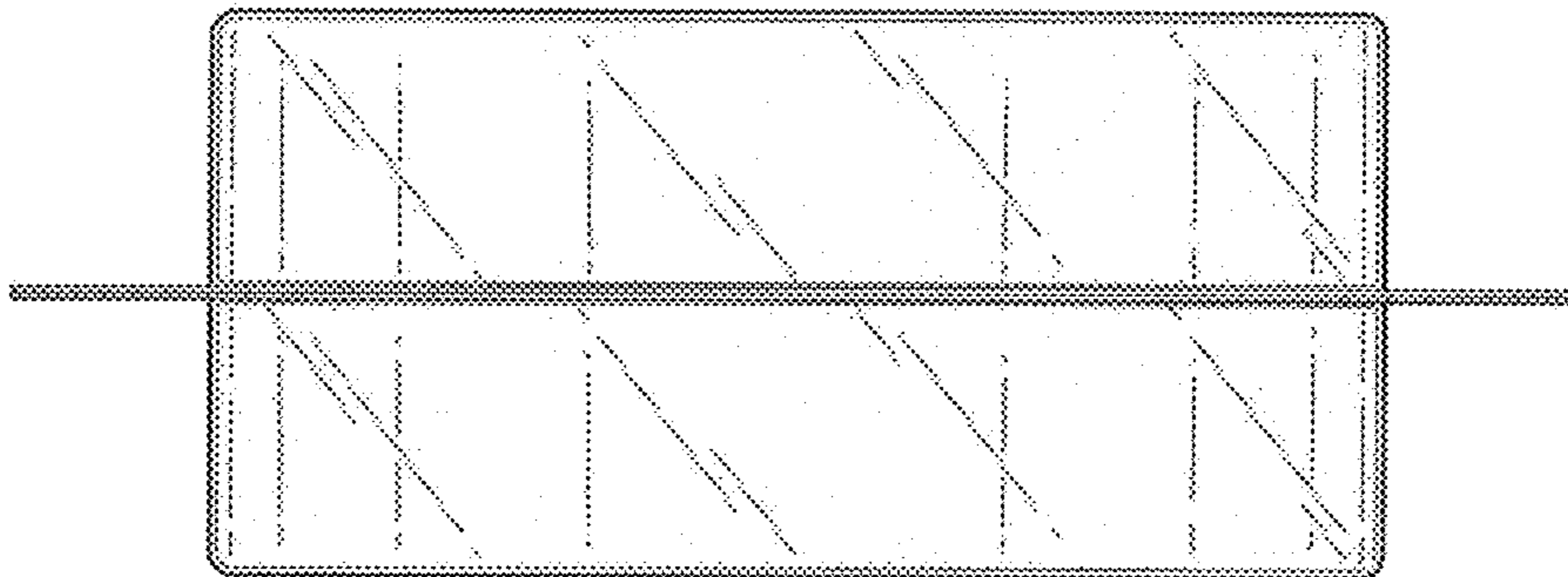


FIG. 26

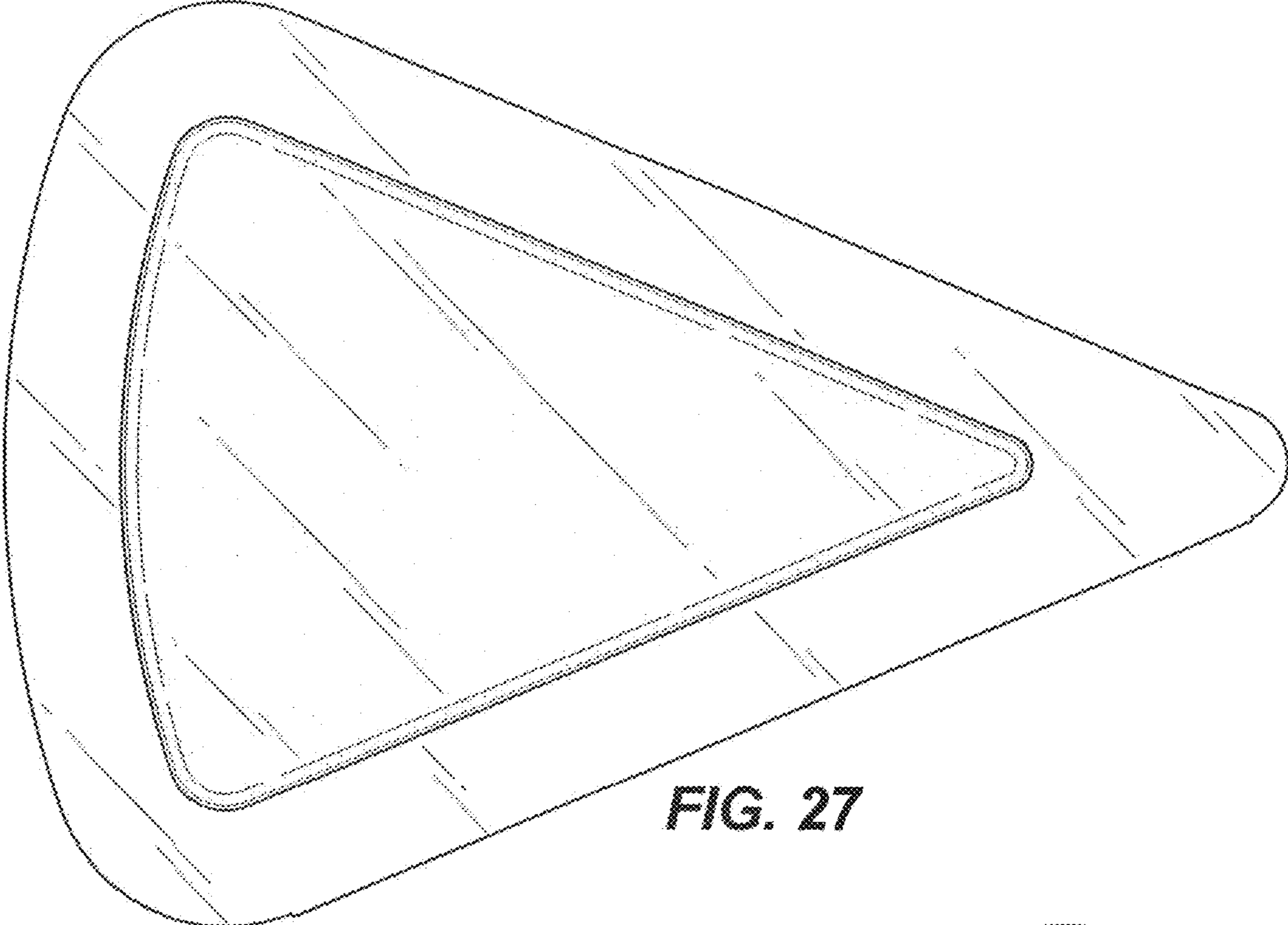


FIG. 27

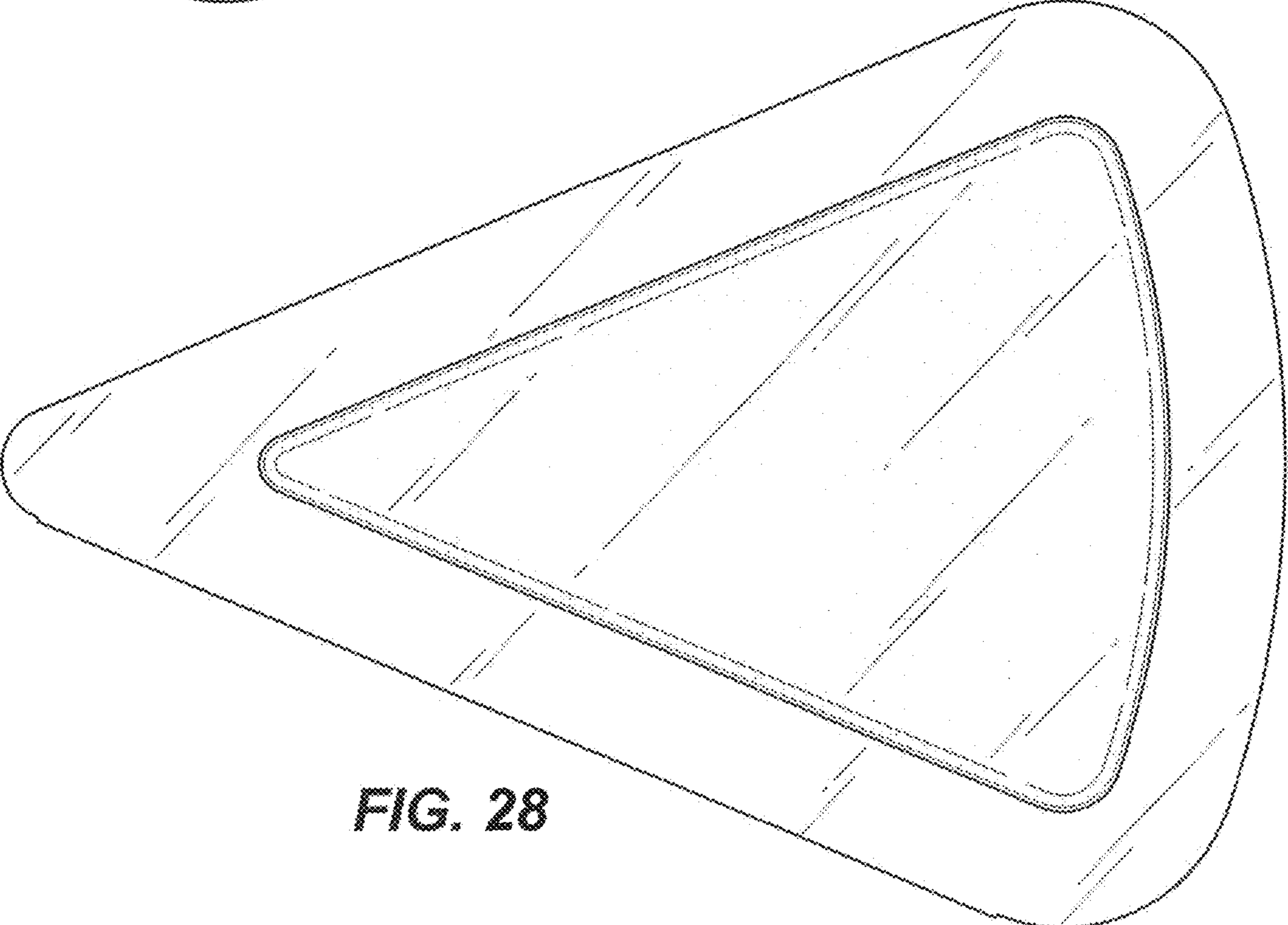


FIG. 28