



US00D934064S

(12) **United States Design Patent**
Satnick

(10) **Patent No.:** **US D934,064 S**

(45) **Date of Patent:** **** Oct. 26, 2021**

(54) **CONTAINER WITH PERFORATED PUNCH
OUT DISPENSER**

(71) Applicant: **Kobert & Company, Inc.**, Commerce,
CA (US)

(72) Inventor: **Lane Satnick**, Commerce, CA (US)

(73) Assignee: **KOBERT & COMPANY, INC.**,
Commerce, CA (US)

(**) Term: **15 Years**

(21) Appl. No.: **29/723,526**

(22) Filed: **Feb. 7, 2020**

(51) **LOC (13) Cl.** **09-03**

(52) **U.S. Cl.**
USPC **D9/416; D9/734**

(58) **Field of Classification Search**
USPC D9/414, 416, 432, 433, 730, 734;
D6/515, 518, 519, 521, 522, 523;
D7/601, 602, 631
CPC B65D 83/0805; B65D 83/0894; B65D
83/08; B65D 83/0847; B65D 83/0835;
A47K 2010/3266; A47K 10/421; A47K
10/32; A47K 10/42; A47K 10/426
See application file for complete search history.

(56) **References Cited**

U.S. PATENT DOCUMENTS

- D133,714 S * 9/1942 Medoff D6/518
- 2,529,853 A * 11/1950 Taggart B65D 83/0894
221/63
- 2,651,409 A * 9/1953 Fay B65D 5/16
221/63
- 3,021,002 A * 2/1962 Reynolds B65D 83/0805
206/494
- 3,276,622 A * 10/1966 Krzyzanowski A47K 10/421
221/37
- D268,649 S * 4/1983 Adamson D9/416

- D270,041 S * 8/1983 Vestal D9/416
- 4,790,436 A * 12/1988 Nakamura B65D 83/0805
206/449
- 6,237,757 B1 * 5/2001 Alpern A61B 17/06061
206/449
- D569,719 S * 5/2008 Ross D9/416
- 7,699,214 B2 * 4/2010 Mestre B65D 5/549
229/232
- D635,454 S * 4/2011 Witte D9/416

(Continued)

Primary Examiner — Lauren R Calve

(74) *Attorney, Agent, or Firm* — R. Lynette Wylie; Apex
Juris, pllc.

(57) **CLAIM**

The ornamental design for a container with perforated punch
out dispenser, as shown and described.

DESCRIPTION

FIG. 1 is an angled top perspective view of the container
with perforated punch out dispenser for packaging and
dispensing of bags.

FIG. 2 is a front view thereof.

FIG. 3 is a left side view thereof.

FIG. 4 is a right side view thereof.

FIG. 5 is a bottom view thereof; and,

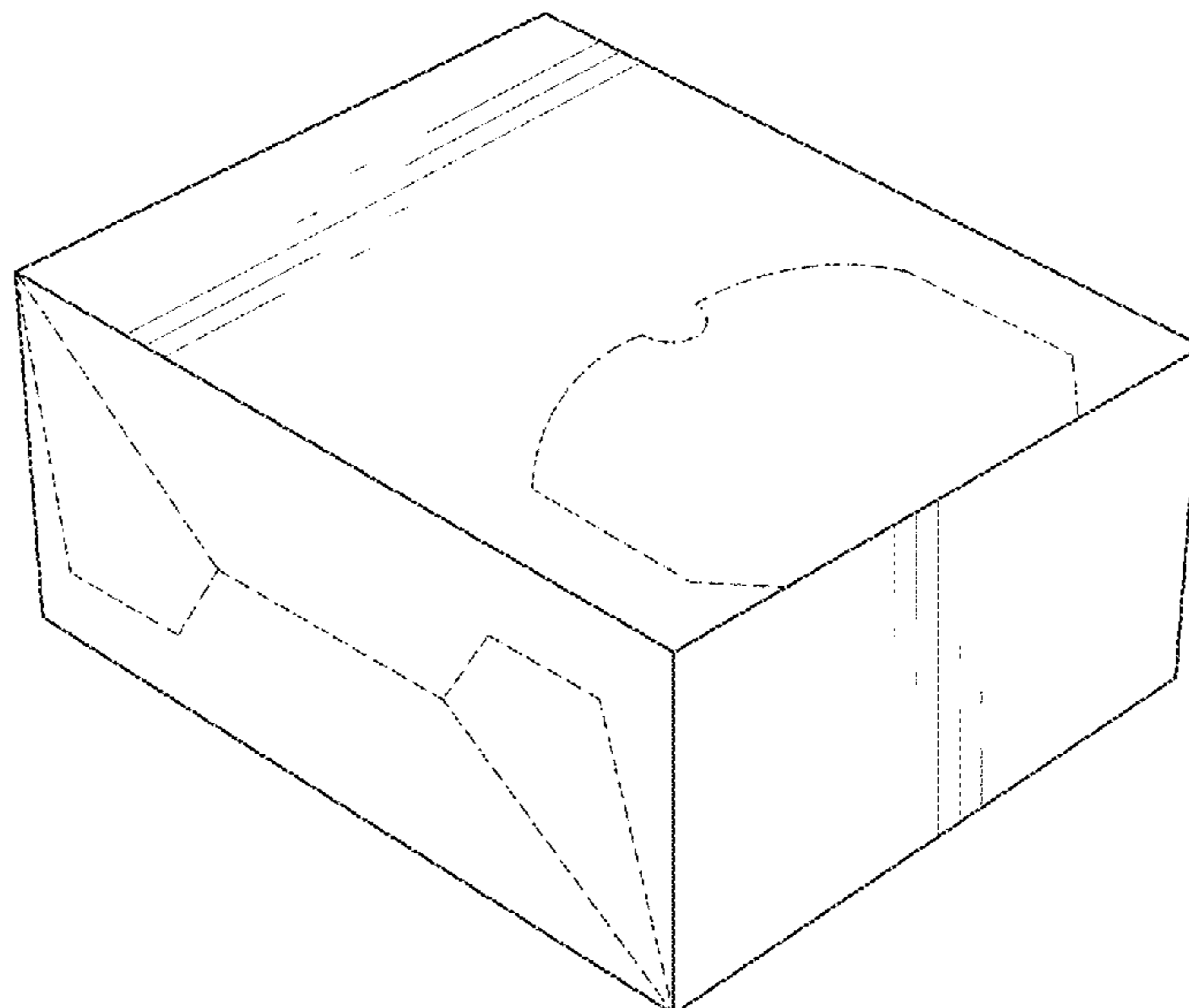
FIG. 6 is a top view thereof.

The claimed design includes a back of the container with
perforated punch out dispenser that is plain and devoid of
markings.

The claimed design includes broken lines designating a
perforated punch out dispenser shown on the front of the
container.

The back of the container that is plain and devoid of
markings and the broken lines designating the perforated
punch out dispenser are part of the claimed design. The
broken lines designating tucked flaps on the left side shown
in FIGS. 1 and 3 are not part of the claimed design.

1 Claim, 6 Drawing Sheets



(56)

References Cited

U.S. PATENT DOCUMENTS

D830,199 S * 10/2018 Ogata D9/734
2002/0125264 A1 * 9/2002 Shiftier B65D 83/0805
221/47
2009/0301903 A1 * 12/2009 Andersson B65D 75/5833
206/215
2014/0034542 A1 * 2/2014 Cuellar B65D 75/5833
206/494
2016/0280448 A1 * 9/2016 DeMatteis B65D 83/0811
2020/0122915 A1 * 4/2020 Tien Tjiu B65D 33/001

* cited by examiner

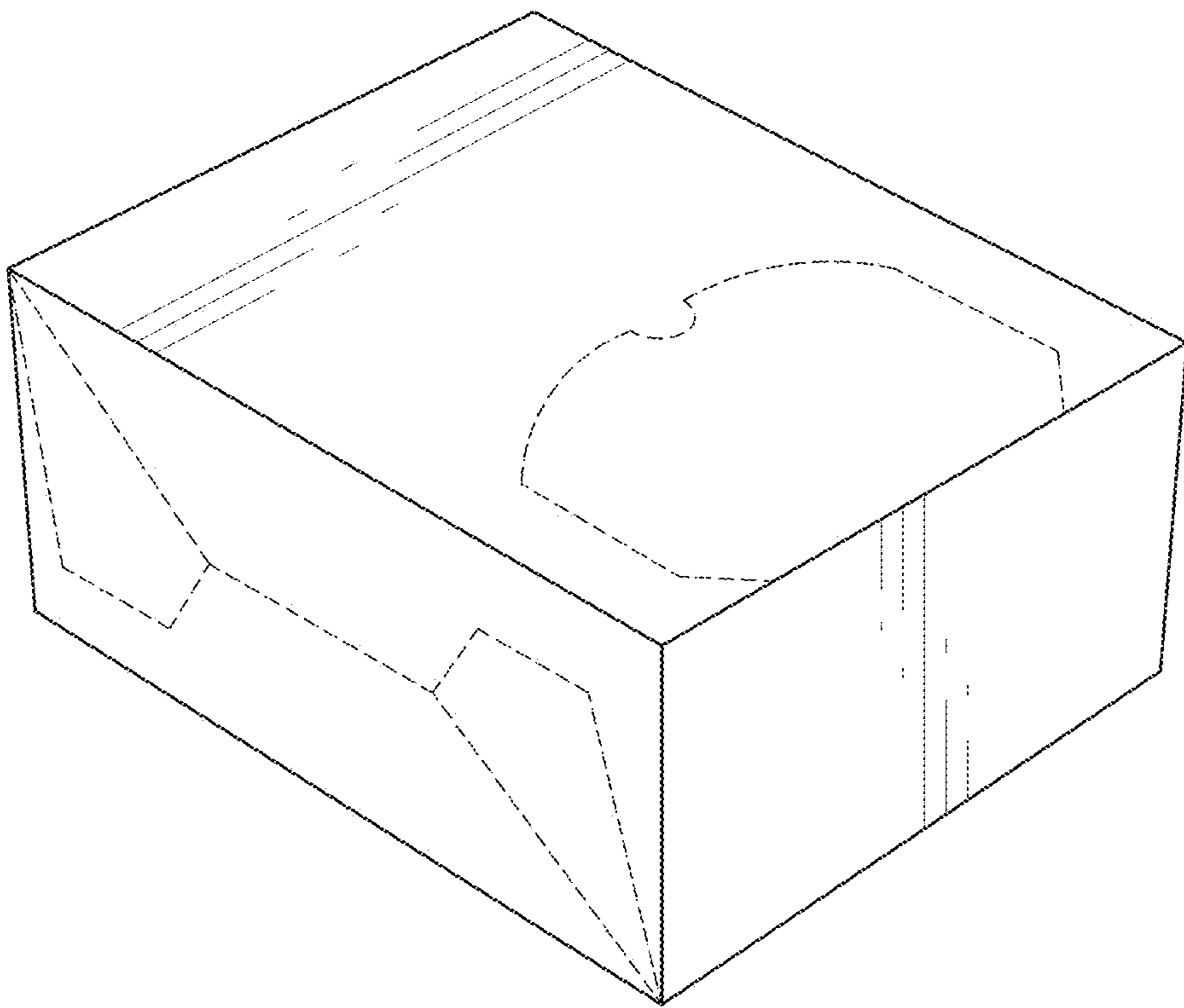


FIG. 1

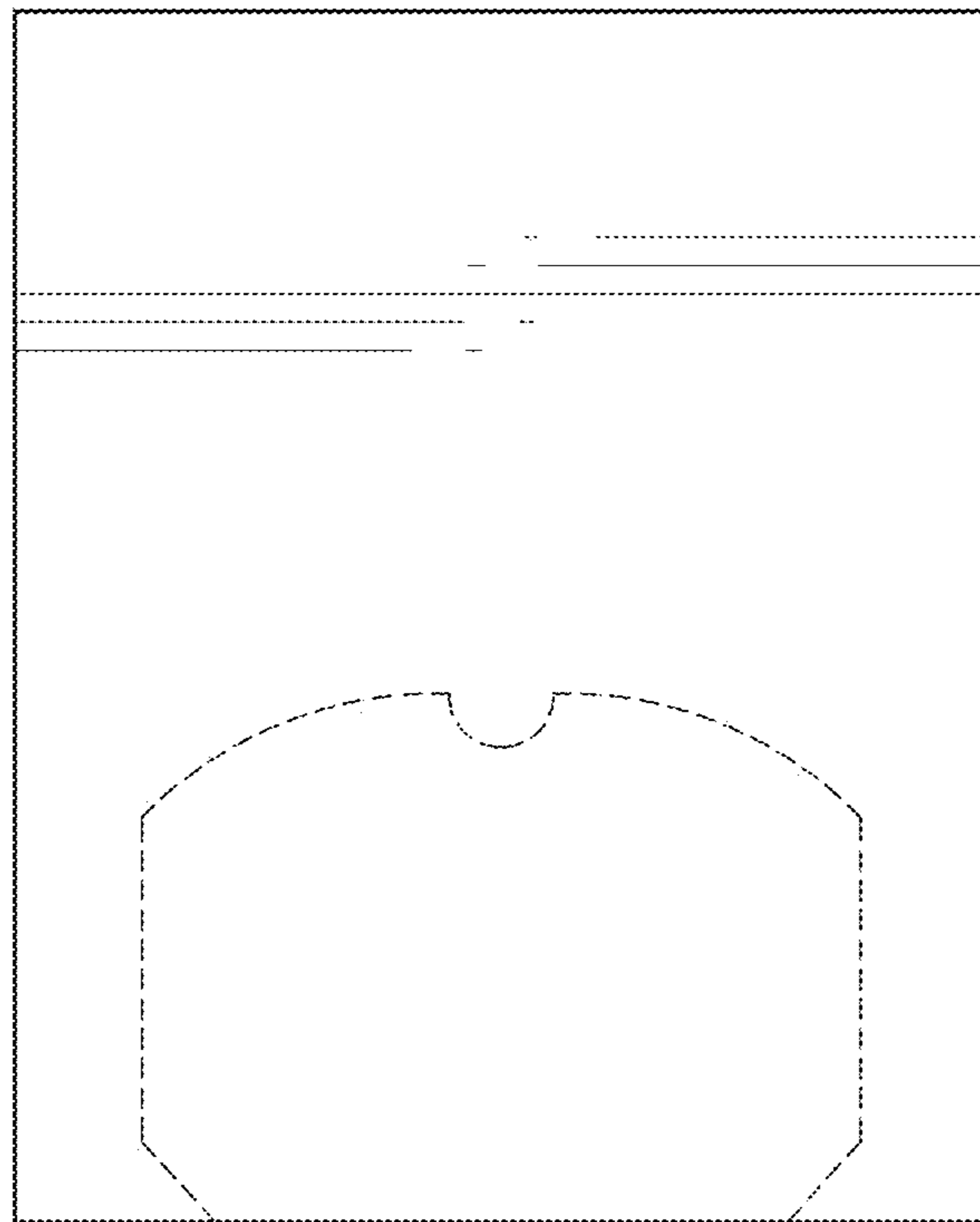


FIG. 2

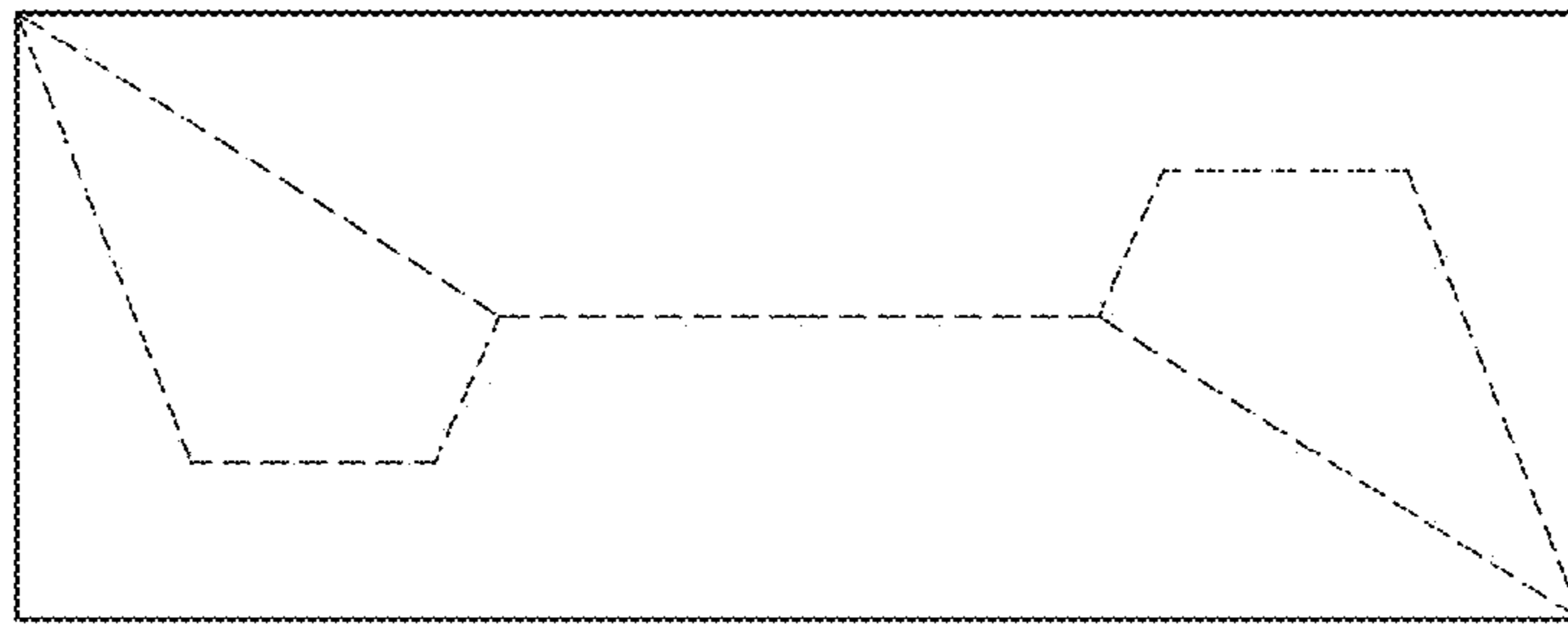


FIG. 3



FIG. 4

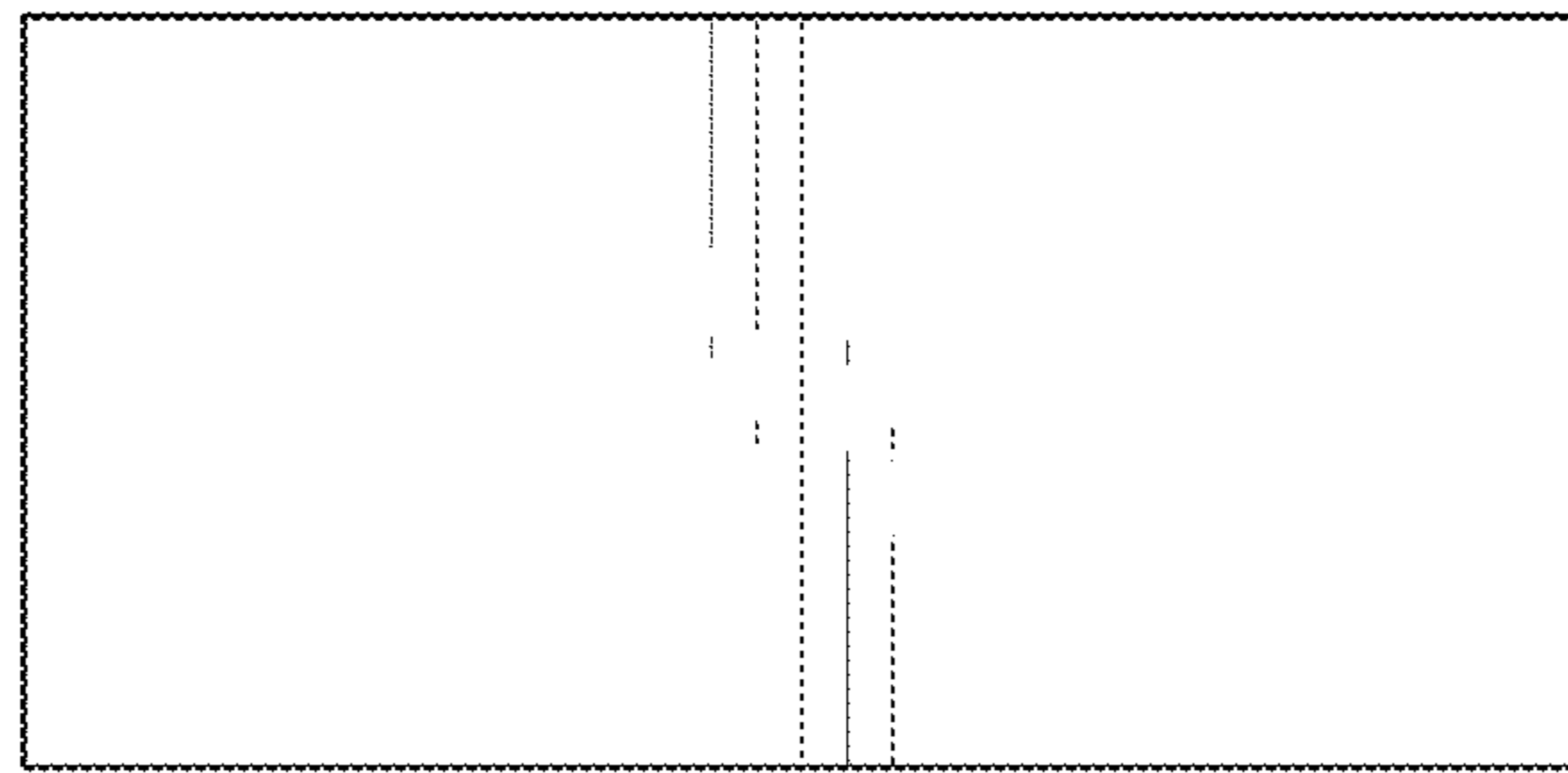


FIG. 5

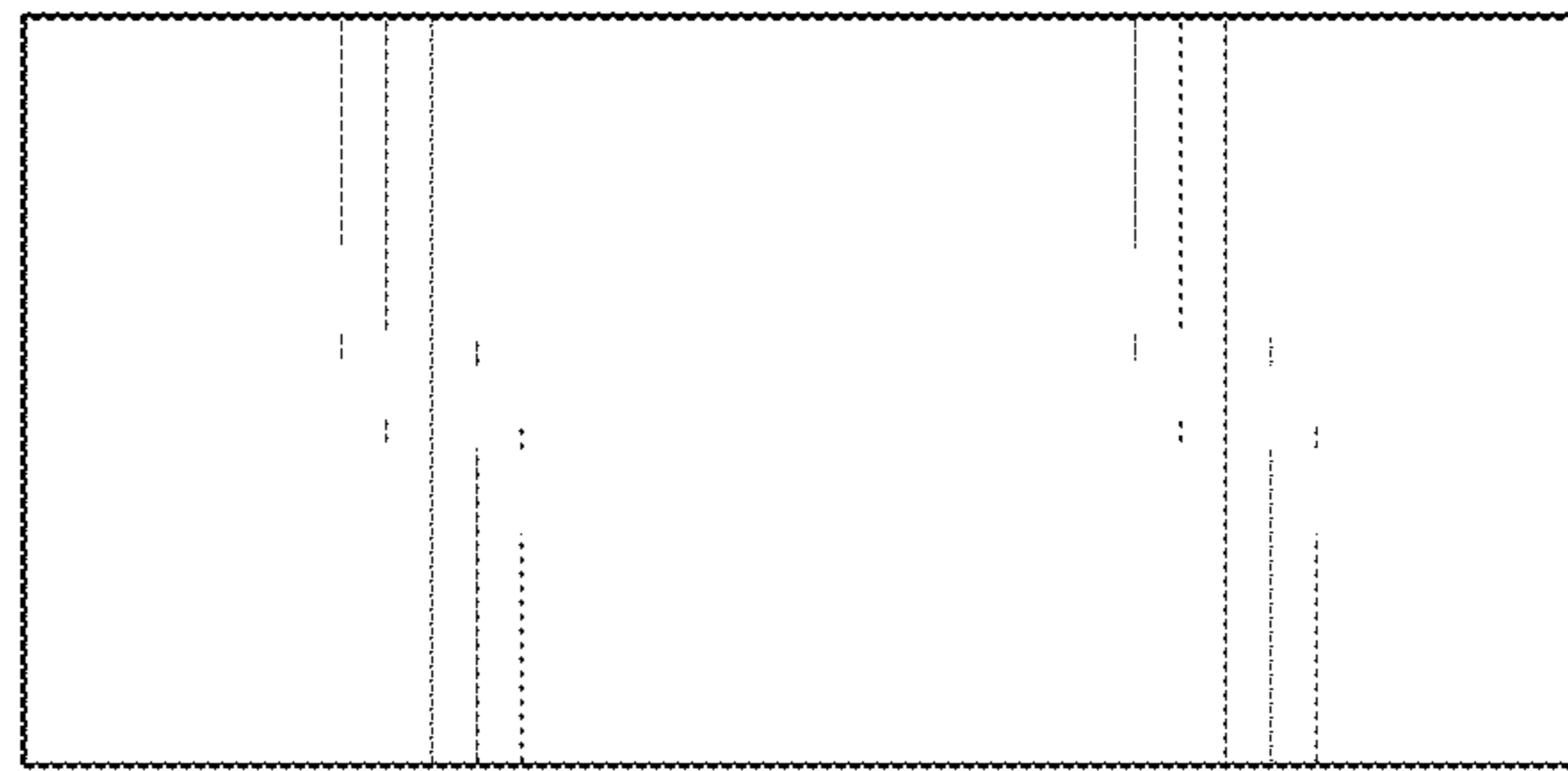


FIG. 6