



US00D934063S

(12) **United States Design Patent** (10) **Patent No.:** **US D934,063 S**
Buczynski (45) **Date of Patent:** **** Oct. 26, 2021**

(54) **FASTENING CLIP**

(71) Applicant: **ILLINOIS TOOL WORKS INC.**,
Glenview, IL (US)

(72) Inventor: **Gregory George Buczynski**, Ferndale,
MI (US)

(73) Assignee: **Illinois Tool Works Inc.**, Glenview, IL
(US)

(**) Term: **15 Years**

(21) Appl. No.: **29/721,330**

(22) Filed: **Jan. 20, 2020**

(51) **LOC (13) Cl.** **08-08**

(52) **U.S. Cl.**
USPC **D8/394**

(58) **Field of Classification Search**
USPC D8/72-73, 367, 394-396; D23/259, 269;
D24/155
CPC H01R 13/639; A61F 5/448; F16B 45/02;
F16B 2/06; F16L 33/06; F16L 37/00;
F16L 23/06
See application file for complete search history.

(56) **References Cited**

U.S. PATENT DOCUMENTS

- 6,074,150 A * 6/2000 Shinozaki B60R 13/0206
24/297
- 6,317,937 B1 * 11/2001 Ishihara F16B 5/0614
24/289
- 6,796,006 B2 9/2004 Hansen
- 7,120,971 B2 * 10/2006 Osterland B60R 13/0206
24/295
- D572,129 S * 7/2008 Keays 24/297
- 7,640,634 B2 1/2010 Vassiliou
- D619,711 S * 7/2010 Lombardo D24/143
- D691,026 S * 10/2013 Komeno D8/356
- D693,733 S * 11/2013 Fujii D11/200

- D708,044 S * 7/2014 Komeno D8/356
- D709,354 S * 7/2014 Komeno D8/356
- D722,491 S * 2/2015 Ramsauer D8/395
- D722,493 S * 2/2015 Ramsauer D8/395
- 9,080,588 B2 7/2015 Diez Herrera et al.
- D759,475 S * 6/2016 Banno D8/395
- D759,476 S * 6/2016 Iwahara D8/395
- D763,066 S * 8/2016 Sugimoto D8/382

(Continued)

FOREIGN PATENT DOCUMENTS

- EP 1482184 A2 12/2004
- FR 20120391-001 * 1/2012

(Continued)

OTHER PUBLICATIONS

International Search Report and Written Opinion of the International Searching Authority from corresponding PCT Application No. PCT/US2021/013711, dated May 7, 2021 (14 pages).

Primary Examiner — John R Yeh
(74) *Attorney, Agent, or Firm* — Quarles & Brady LLP

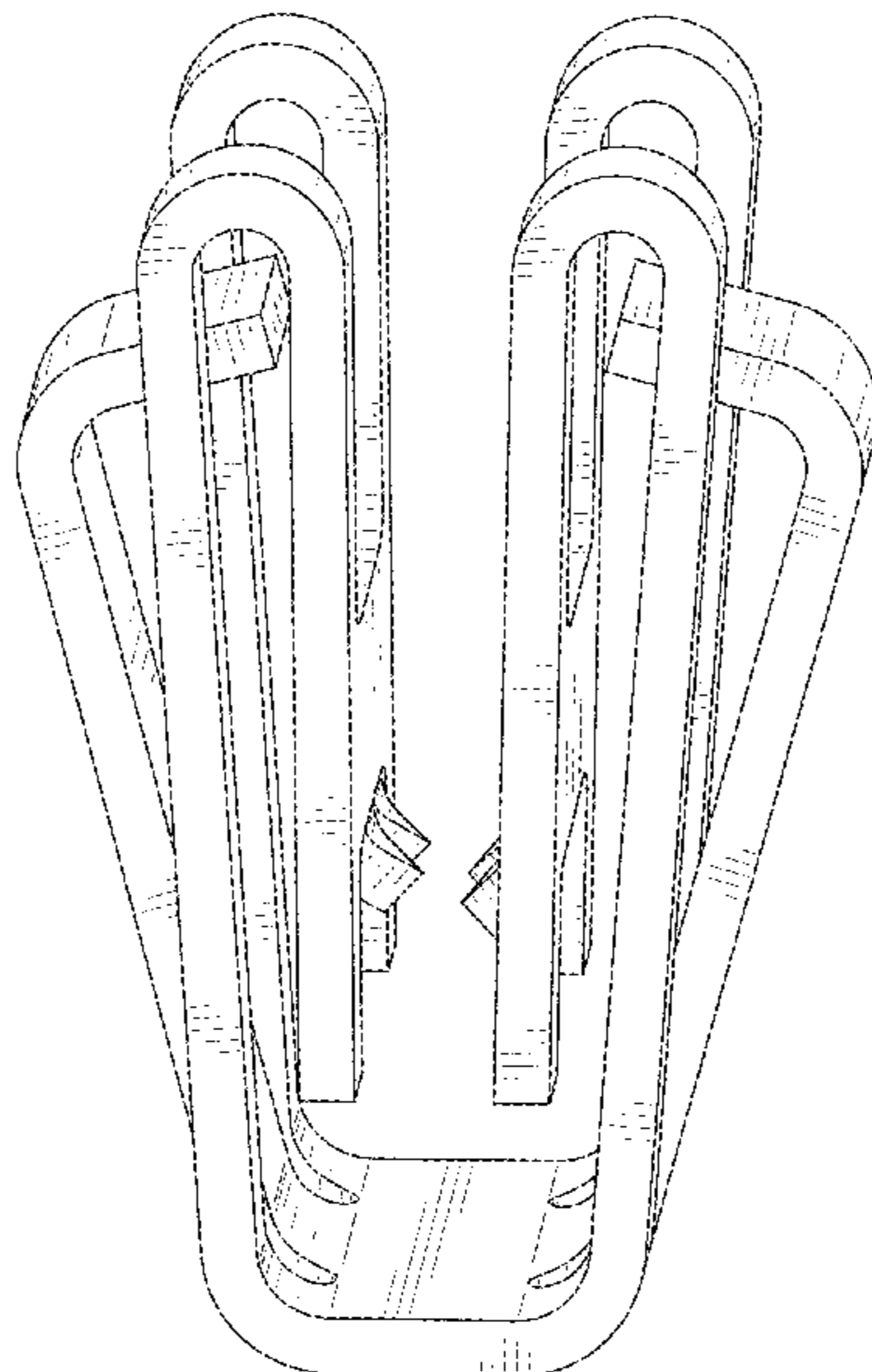
(57) **CLAIM**

The ornamental design for a fastening clip, as shown.

DESCRIPTION

FIG. 1 is a top, front, right, perspective view of an ornamental design for a fastening clip;
FIG. 2 is front elevational view of the fastening clip of FIG. 1;
FIG. 3 is a rear elevational view of the fastening clip of FIG. 1;
FIG. 4 is a top plan view of the fastening clip of FIG. 1;
FIG. 5 is a bottom plan view of the fastening clip of FIG. 1;
FIG. 6 is a right elevational view of the fastening clip of FIG. 1; and,
FIG. 7 is a left elevational of the fastening clip of FIG. 1.

1 Claim, 7 Drawing Sheets



(56)

References Cited

U.S. PATENT DOCUMENTS

D798,136 S * 9/2017 Pittman D8/382
D811,869 S * 3/2018 Gallion D8/394
D816,474 S * 5/2018 Ochi D8/395
10,704,577 B2 7/2020 Benedetti
2003/0079316 A1* 5/2003 Ogawa F16B 5/06
24/297
2003/0200634 A1* 10/2003 Hansen F16B 21/075
24/297
2005/0155191 A1* 7/2005 Asano F16B 5/0657
24/297
2007/0186389 A1* 8/2007 Smith B60R 13/0206
24/297
2007/0216139 A1* 9/2007 Mazanek F16B 5/065
280/728.2
2011/0209309 A1 9/2011 Camus
2015/0026933 A1 1/2015 Komeno et al.

FOREIGN PATENT DOCUMENTS

WO 2010104674 A1 9/2010
WO 2011103068 A2 8/2011

* cited by examiner

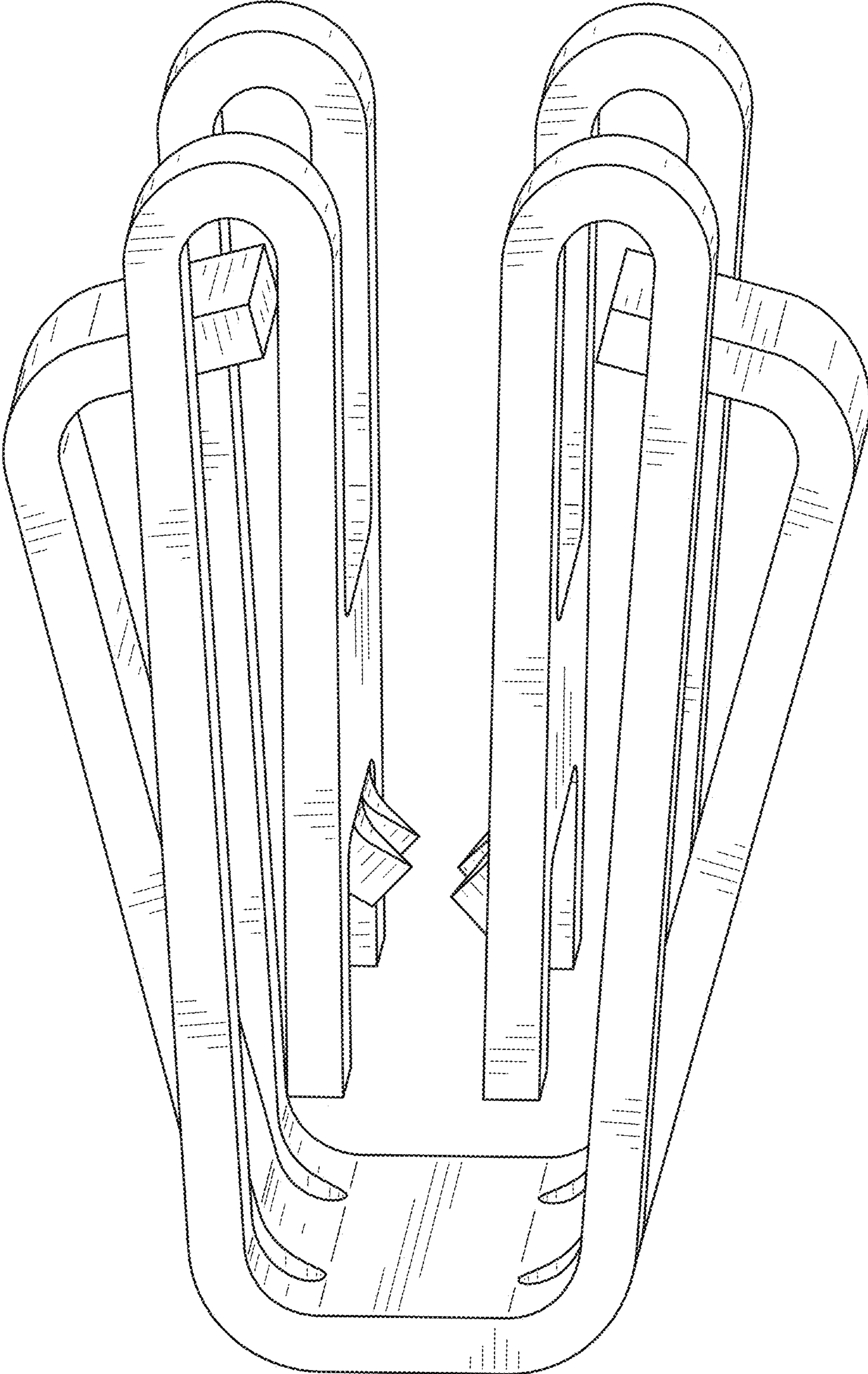


FIG. 1

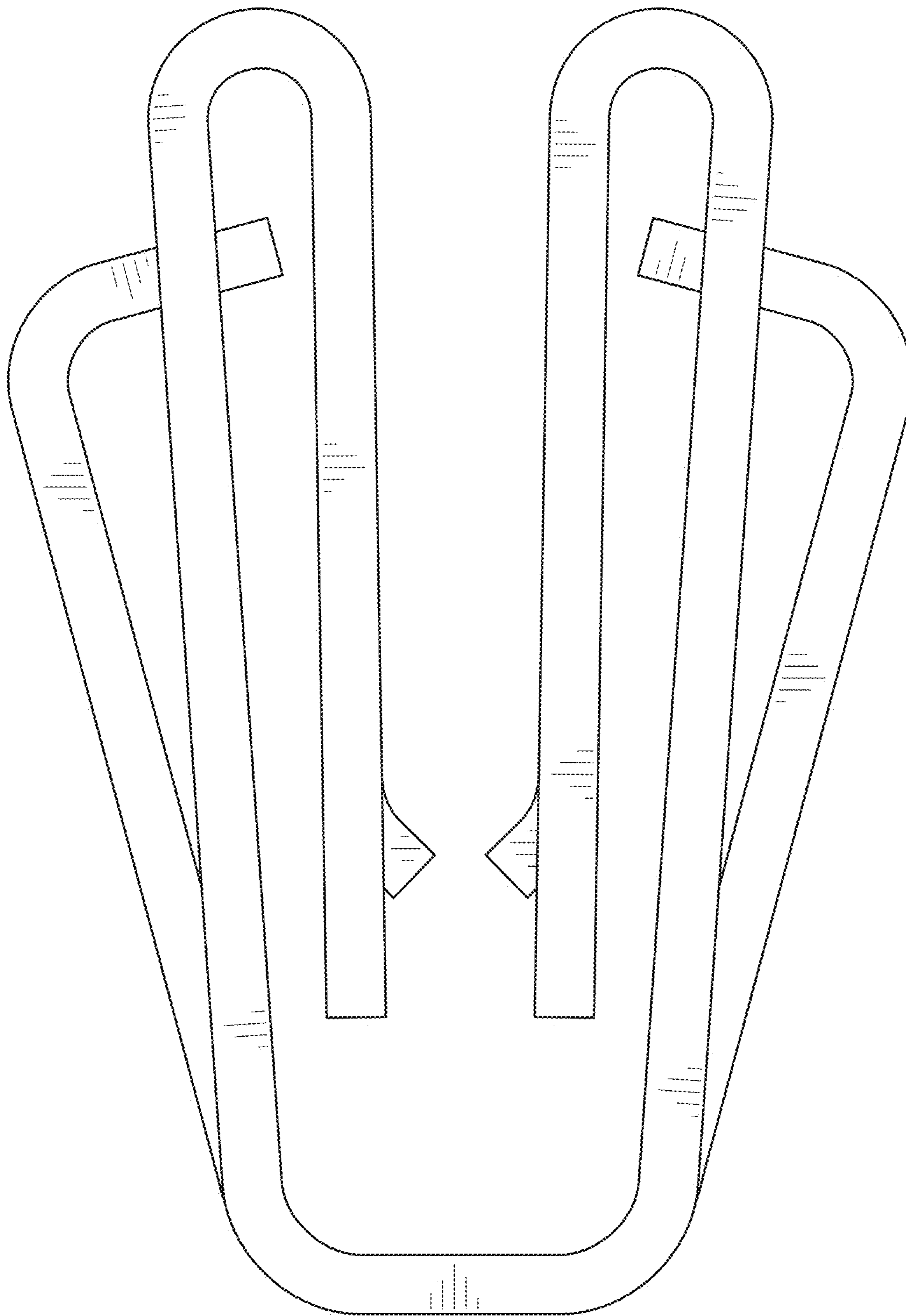


FIG. 2

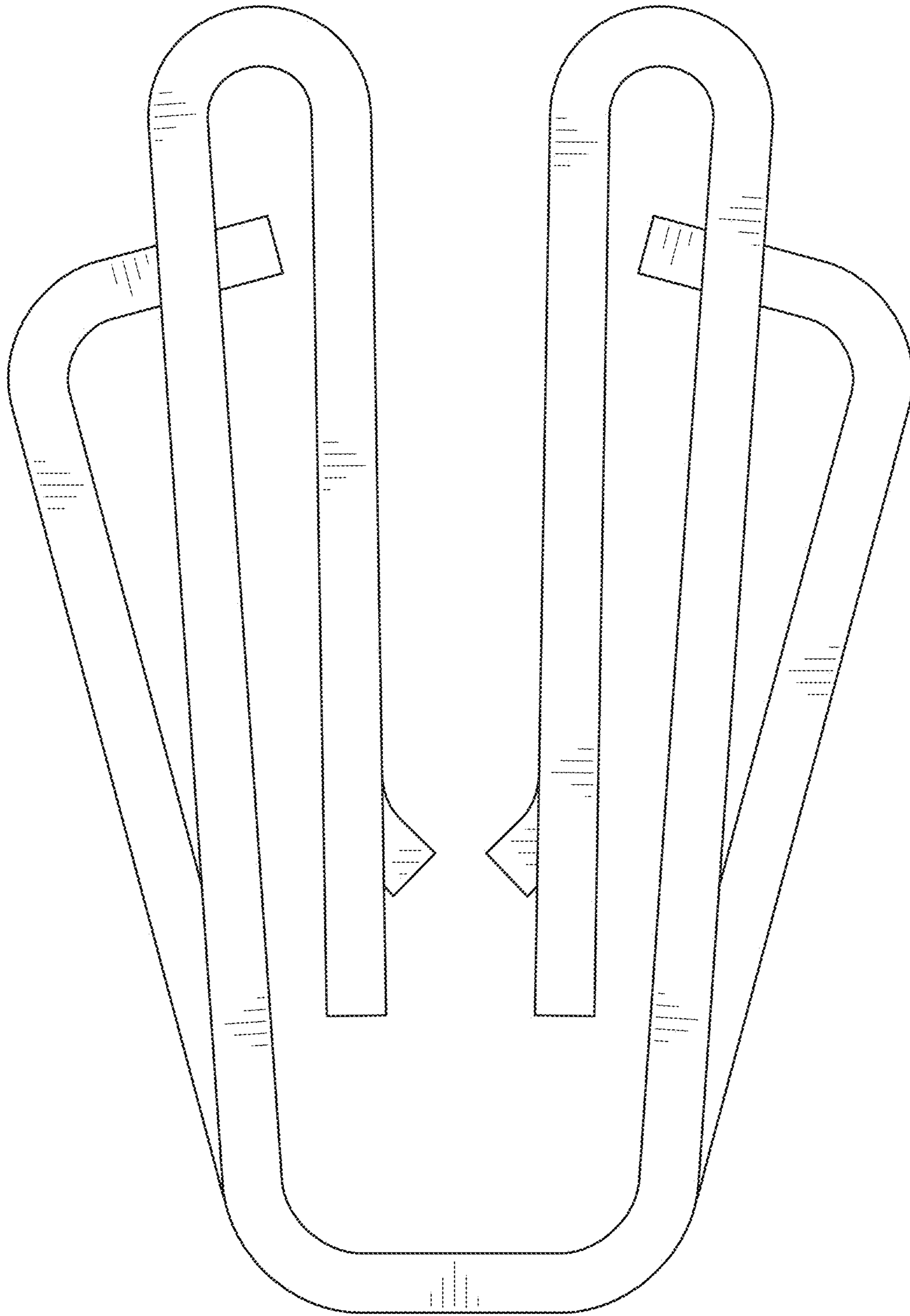


FIG. 3

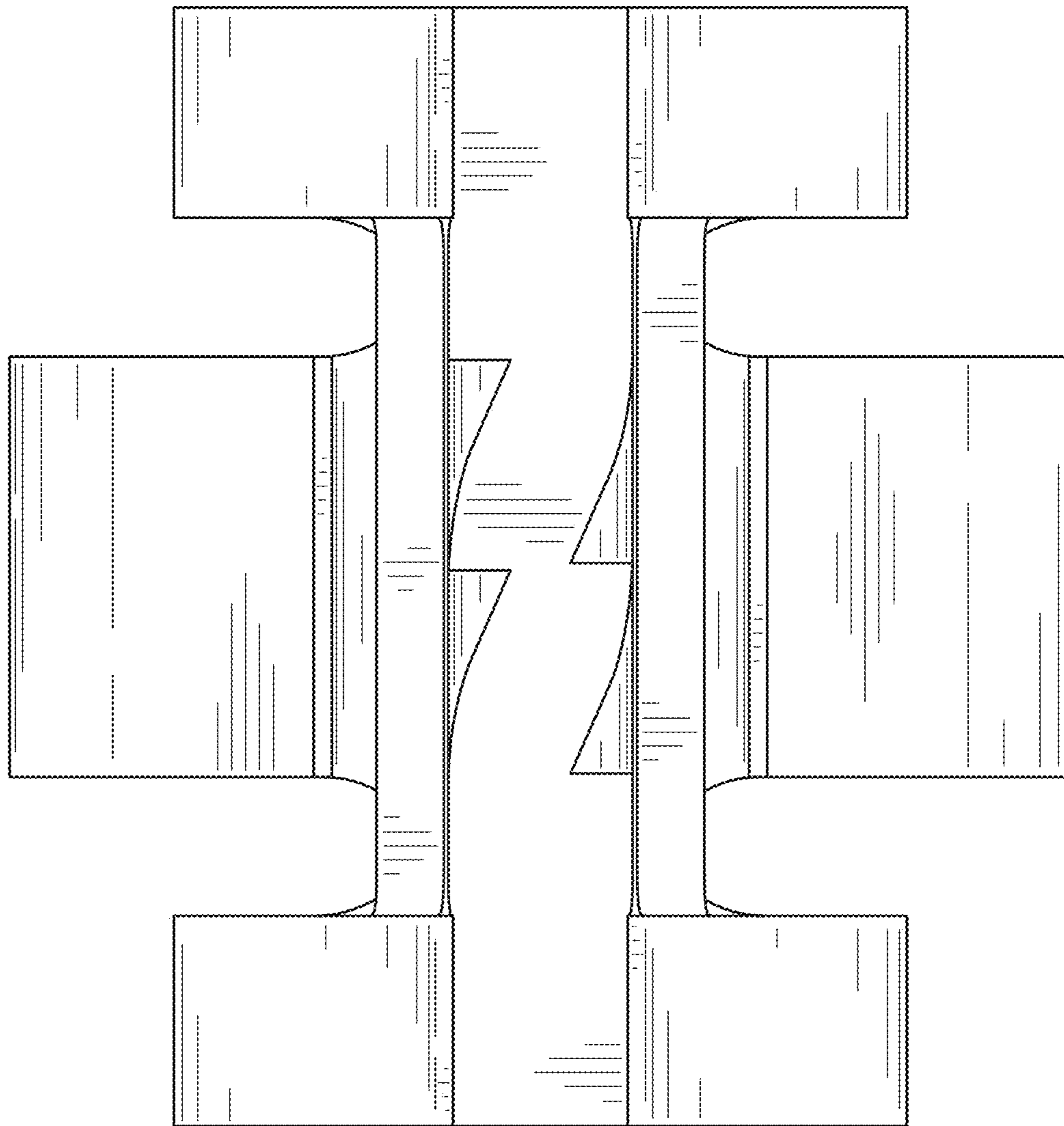


FIG. 4

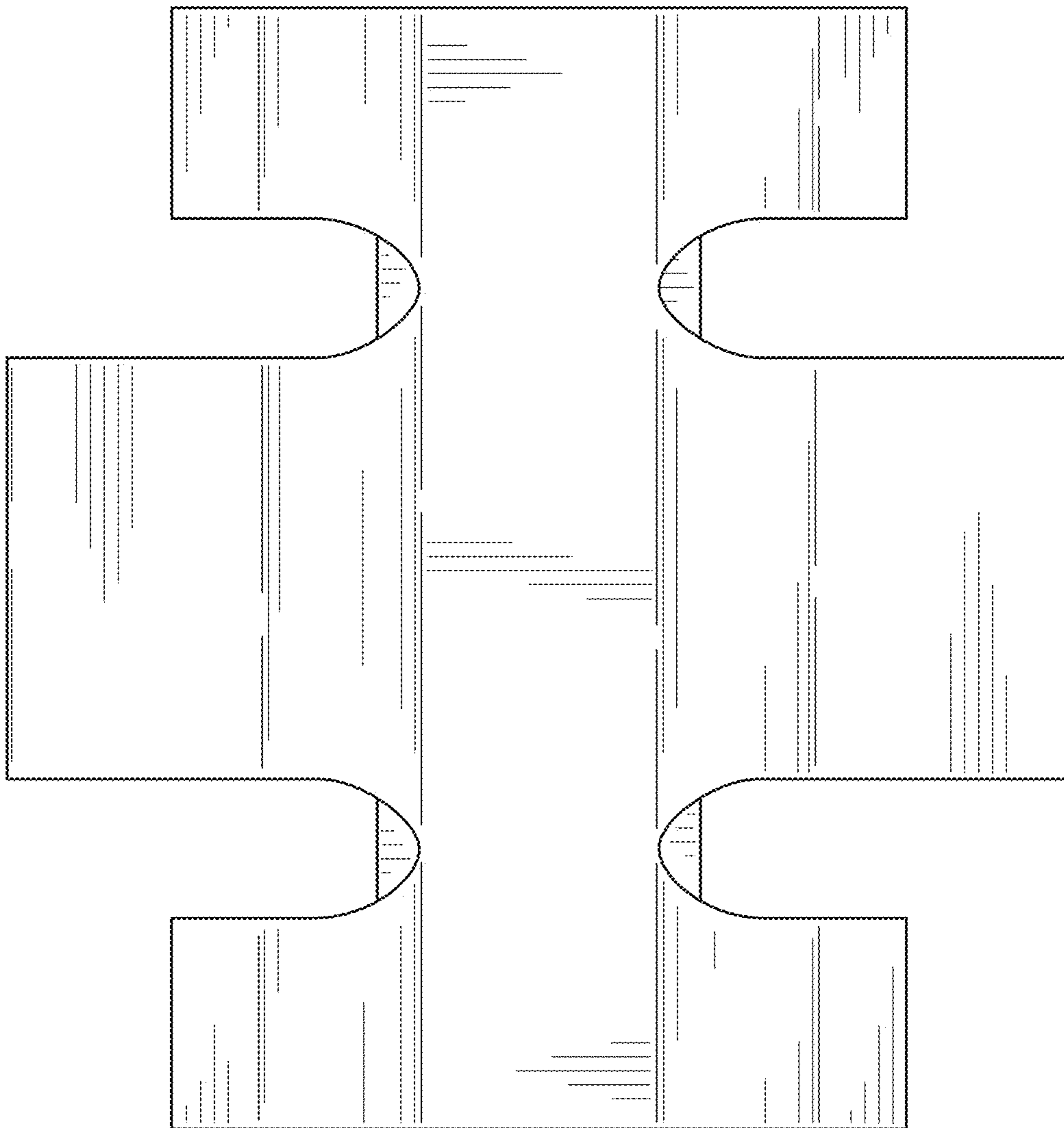


FIG. 5

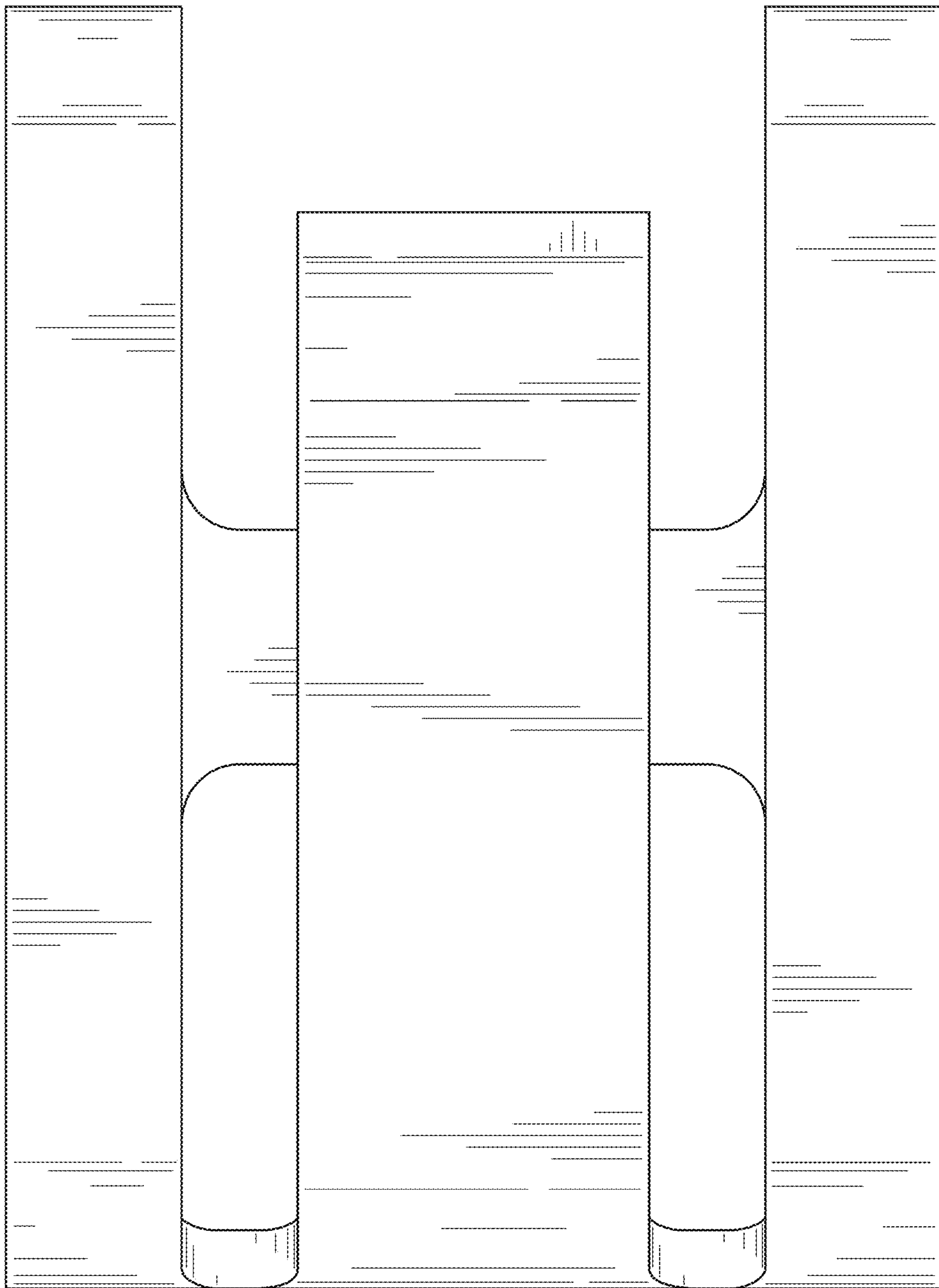


FIG. 6

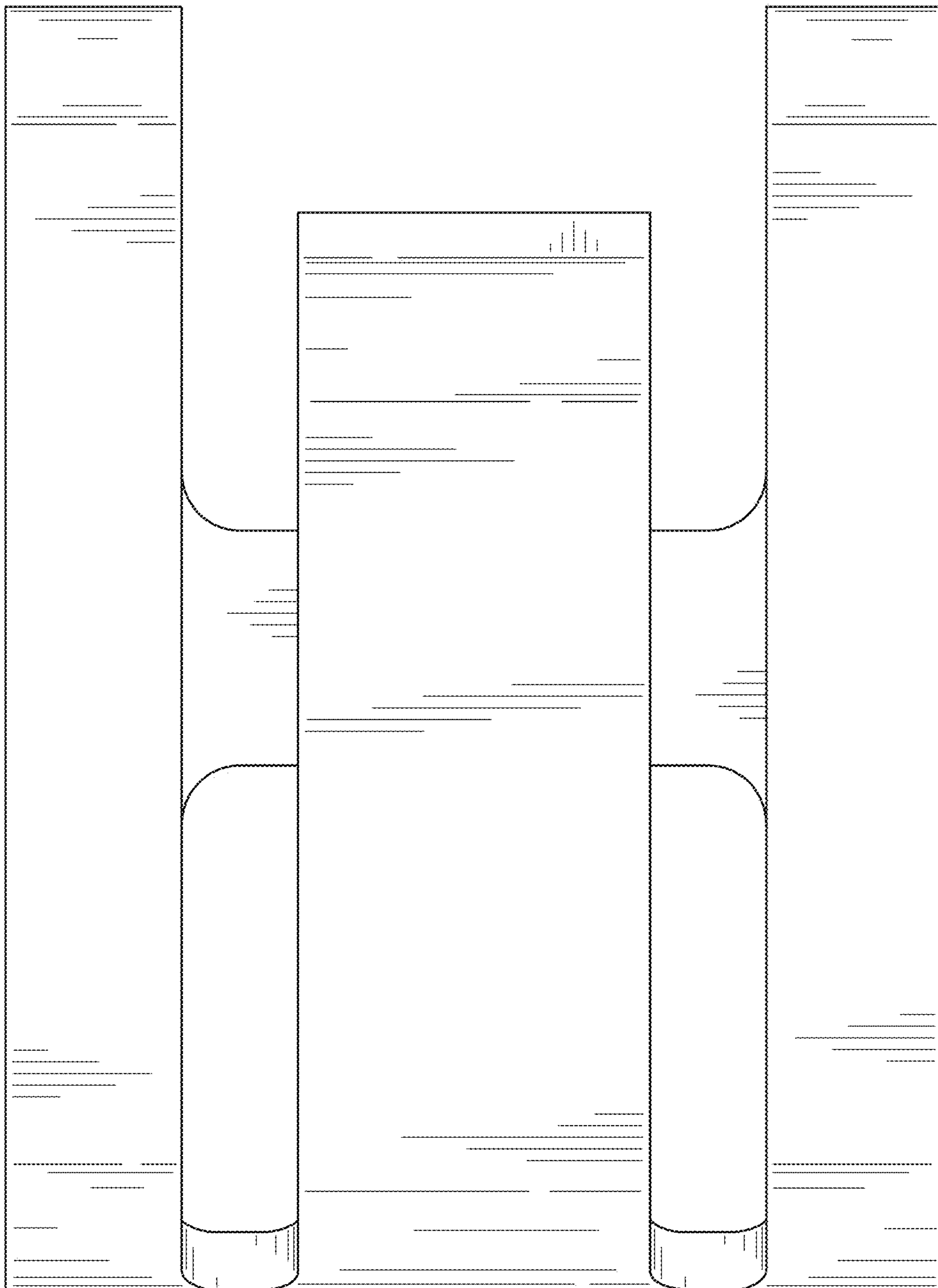


FIG. 7