

US00D934061S

(12) **United States Design Patent** (10) **Patent No.:** **US D934,061 S**
Cragg (45) **Date of Patent:** **** Oct. 26, 2021**

- (54) **CORD PAIL**
- (71) Applicant: **Cragg Technologies LLC**, St. Louis Park, MN (US)
- (72) Inventor: **Andrew H. Cragg**, Edina, MN (US)
- (73) Assignee: **CRAGG TECHNOLOGIES LLC**, St. Louis Park, MN (US)
- (**) Term: **15 Years**
- (21) Appl. No.: **29/698,207**
- (22) Filed: **Jul. 15, 2019**
- (51) **LOC (13) Cl.** **08-05**
- (52) **U.S. Cl.**
USPC **D8/358**
- (58) **Field of Classification Search**
USPC D8/358-359, 360.1, 363, 356, 373, 375, D8/380, 396; D10/72
CPC B65H 2701/34; B65H 2701/33; B65H 75/4471; B65H 2701/32; B65H 2701/332; B65H 75/40; B65H 75/425; B65H 75/4481
See application file for complete search history.

- D702,537 S * 4/2014 Hyp D8/359
- D724,414 S * 3/2015 Marshall D8/359
- D734,656 S * 7/2015 Blaszcak B65H 75/40 D8/358

(Continued)

OTHER PUBLICATIONS

Store Your Extension Cords Without Tangling Them Up, Date Visited: Jun. 1, 2021, popular mechanics, Date Available: Jun. 3, 2011, <https://www.popularmechanics.com/home/how-to/a6790/store-your-extension-cords-without-tangling-them-up/> (Year: 2011).*

(Continued)

Primary Examiner — Susan Bennett Hattan
Assistant Examiner — Elizabeth S Ko
(74) *Attorney, Agent, or Firm* — Knobbe Martens Olson & Bear LLP

(57) **CLAIM**

The ornamental design for a cord pail, as shown and described.

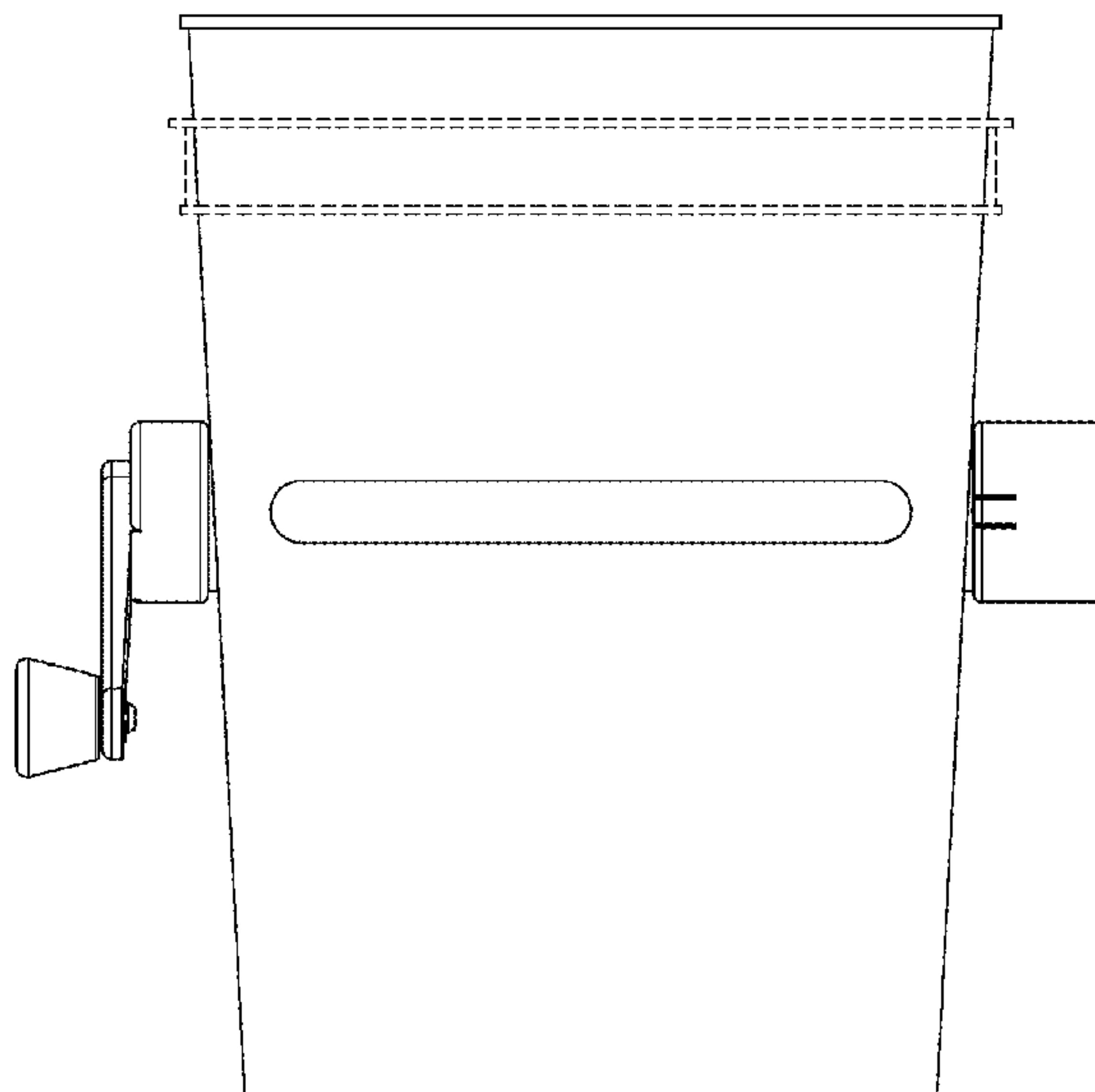
DESCRIPTION

FIG. 1 is a front side view of a cord pail showing the new design;
FIG. 2 is a rear side view thereof;
FIG. 3 is a right side view thereof;
FIG. 4 is a left side view thereof;
FIG. 5 is a bottom plan view thereof;
FIG. 6 is a top plan view thereof;
FIG. 7 is a left side elevational view thereof;
FIG. 8 is a right side elevation view showing an integrated top thereof; and,
FIG. 9 is a right side elevation view showing the top secured to the pail.
Any broken lines in the drawing views are included for the purpose of illustrating portions of the cord pail that form no part of the claimed design.

(56) **References Cited**
U.S. PATENT DOCUMENTS

4,984,685	A	1/1991	Douglas	
5,421,457	A	6/1995	Listenberger	
5,915,641	A	6/1999	Barberg	
6,056,226	A	5/2000	Green	
D450,563	S *	11/2001	Leonardi, Sr.	D8/356
D459,648	S *	7/2002	Leonardi, Sr.	D8/356
6,968,955	B2	11/2005	Steeber	
D582,756	S *	12/2008	Anderson	D8/359
D582,757	S *	12/2008	Anderson	D8/359
D582,758	S *	12/2008	Anderson	D8/359
D667,292	S *	9/2012	Donnelly	D8/359
D682,072	S *	5/2013	Blaszcak	D8/359
D701,751	S *	4/2014	Hyp	D8/359

1 Claim, 9 Drawing Sheets



(56)

References Cited

U.S. PATENT DOCUMENTS

2008/0023358 A1* 1/2008 Otto B25H 3/006
206/349
2015/0203324 A1* 7/2015 Meachum B65H 49/205
242/588.6
2016/0304311 A1* 10/2016 Buck B65H 75/4471
2018/0134513 A1* 5/2018 Gordon B65H 49/205
2018/0179016 A1* 6/2018 Dunar B65H 49/322

OTHER PUBLICATIONS

Usefulness of Cord Reel with 100-ft Extension Cord, Date Visited:
Jun. 1, 2021, diy stackexchange, Date Available: Dec. 31, 2015,
<https://diy.stackexchange.com/questions/80947/usefulness-of-cord-reel-with-100-ft-extension-cord> (Year: 2015).*

4 Gallon Square Plastic Bucket with Wire Bale Handle and Plastic Grip. <https://affordablebuckets.com/product/4-gallon-square-plastic-bucket-with-wire-bale-handle>. Saved on Jun. 2, 2019.

Quickwinder RAP-200 Reel for Air Hose, Fiber Optic Cable or Electric Cord. Saved from amazon.com on May 31, 2019.

* cited by examiner

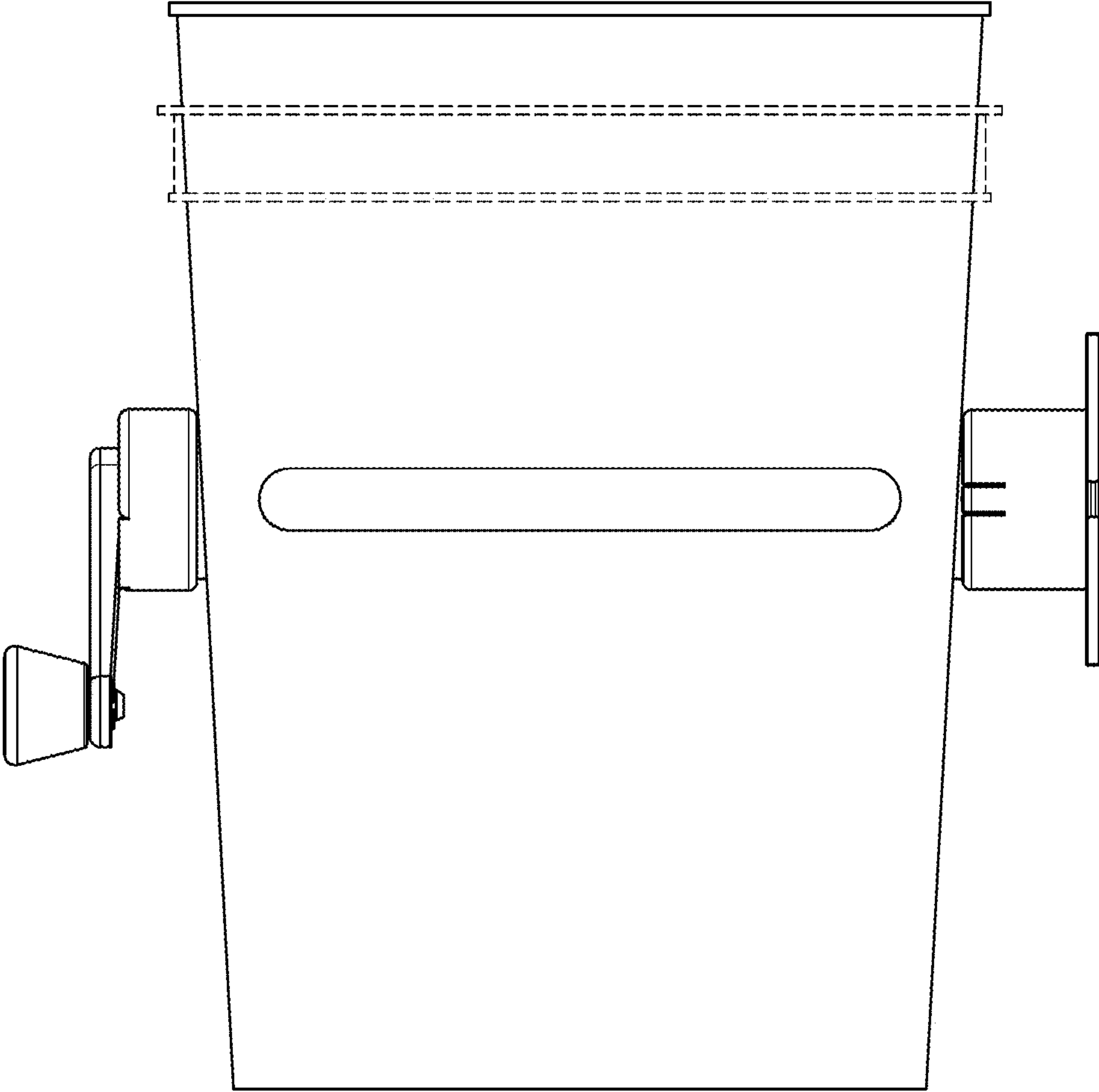


FIG. 1

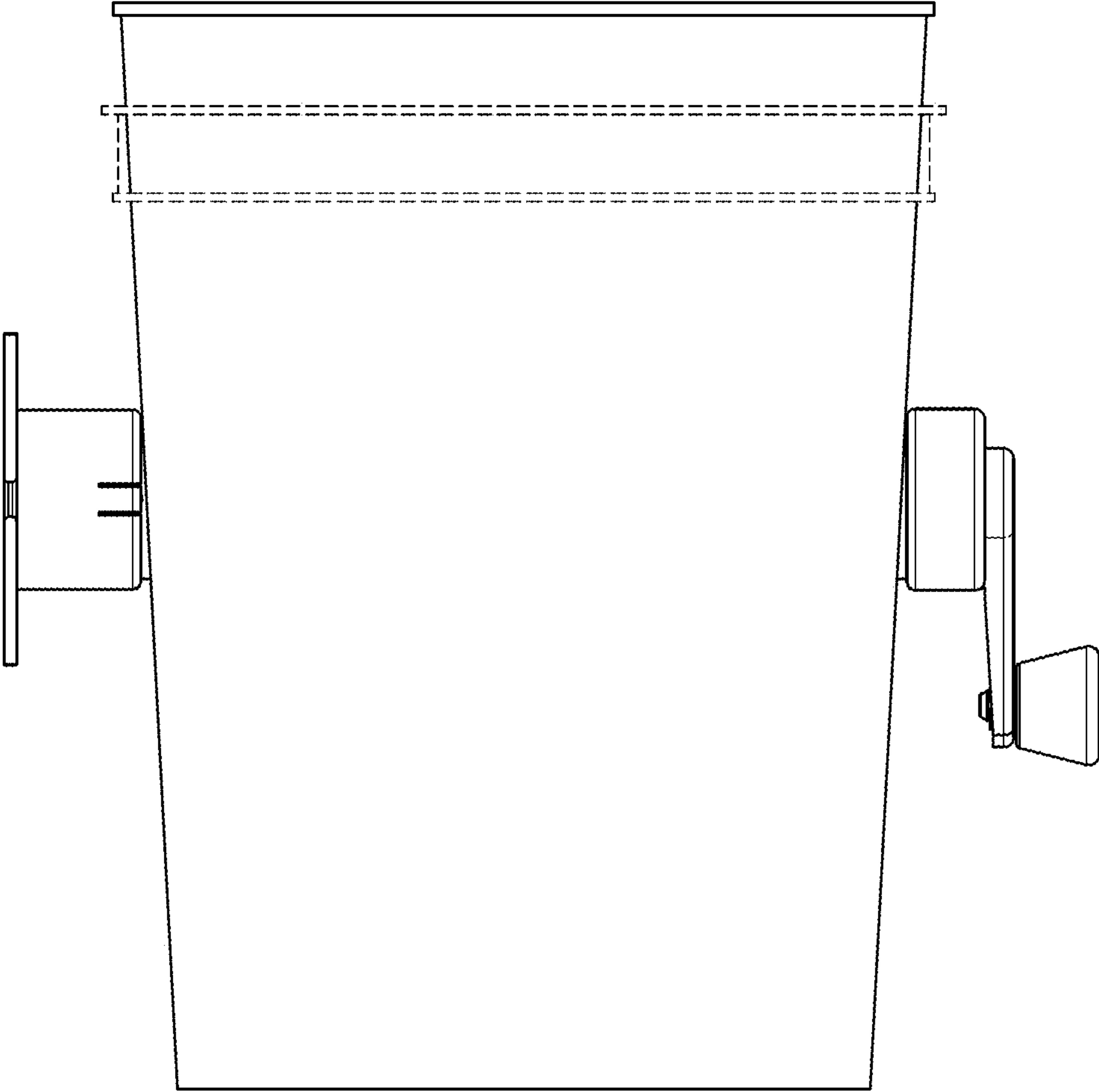


FIG. 2

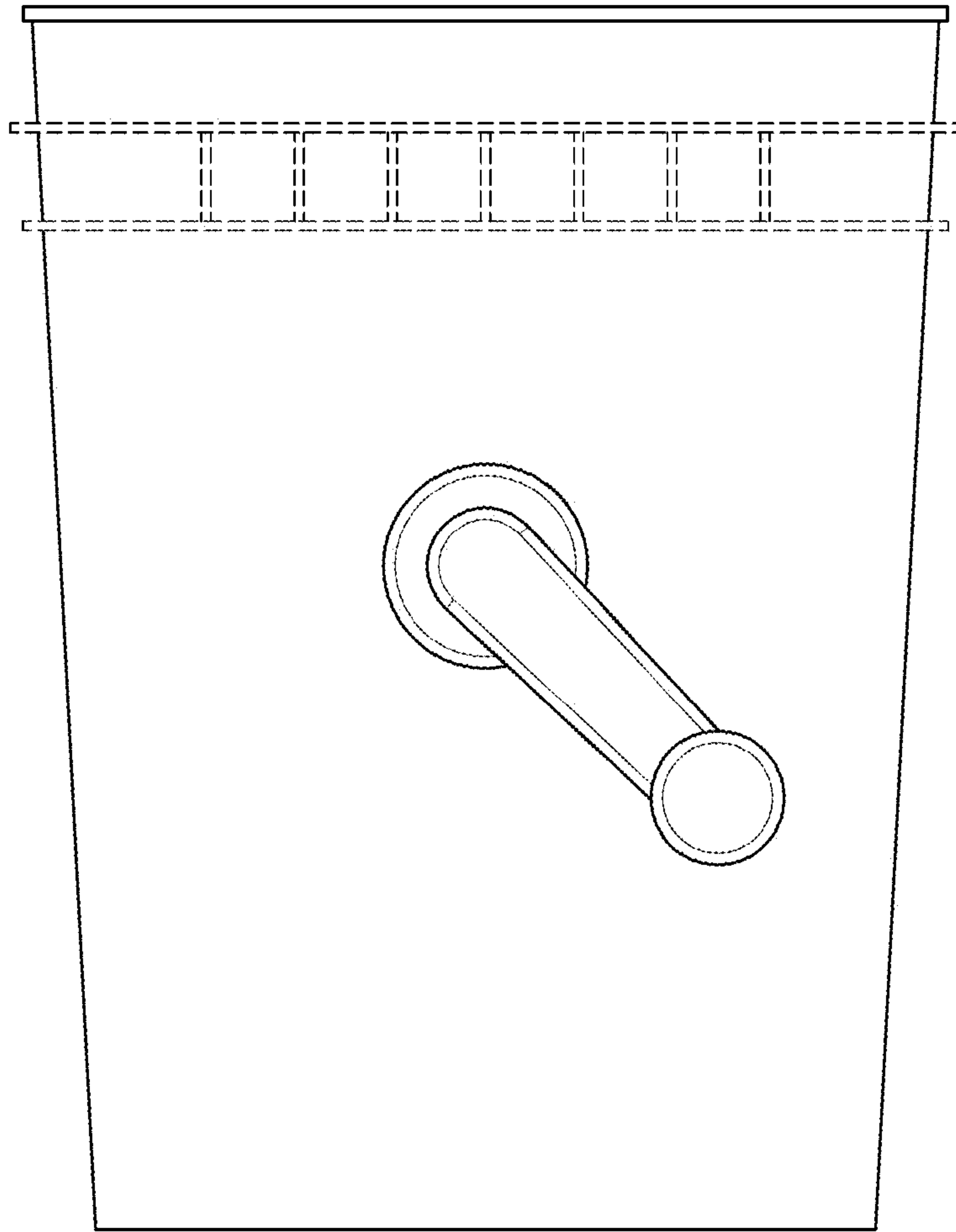


FIG. 3

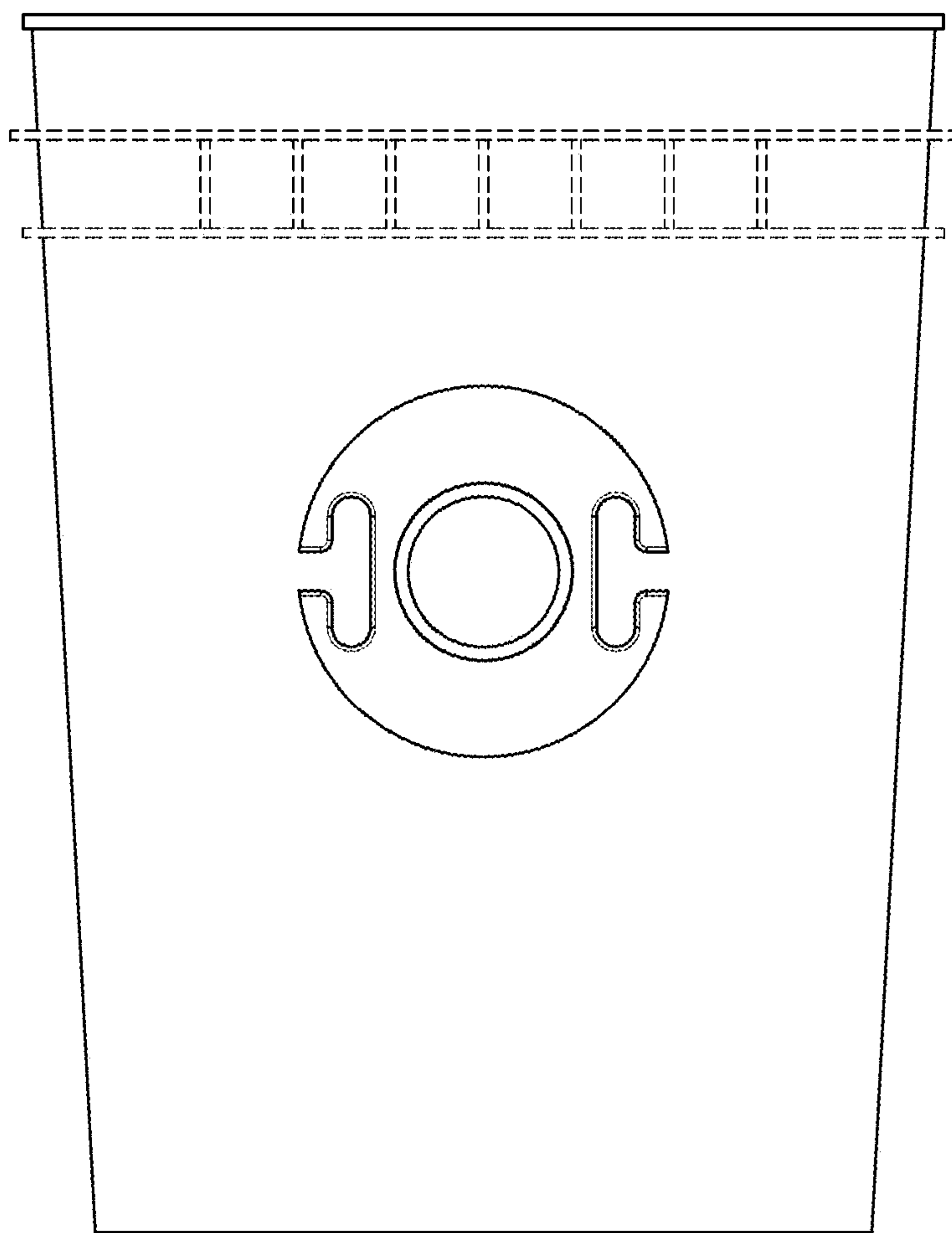


FIG. 4

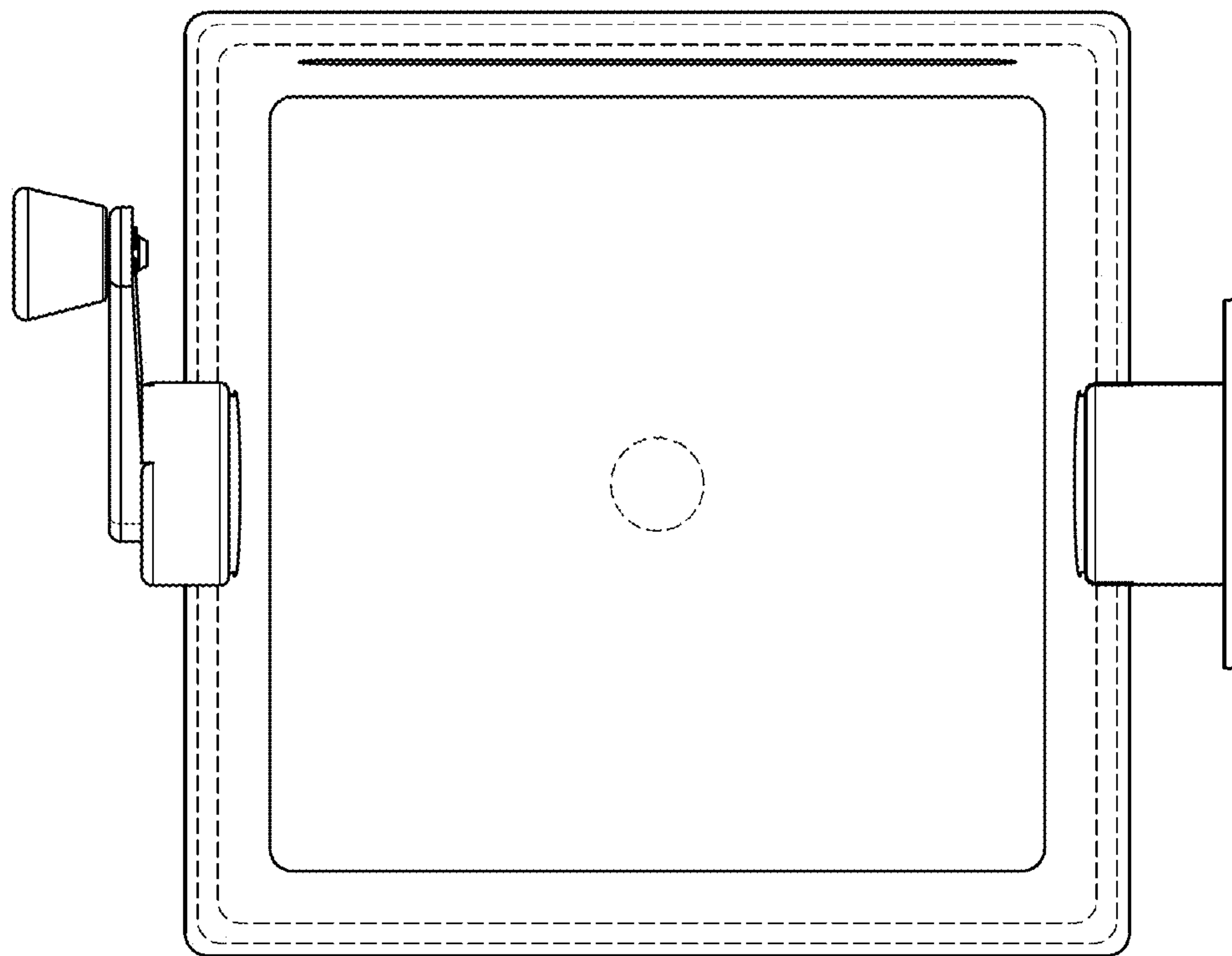


FIG. 5

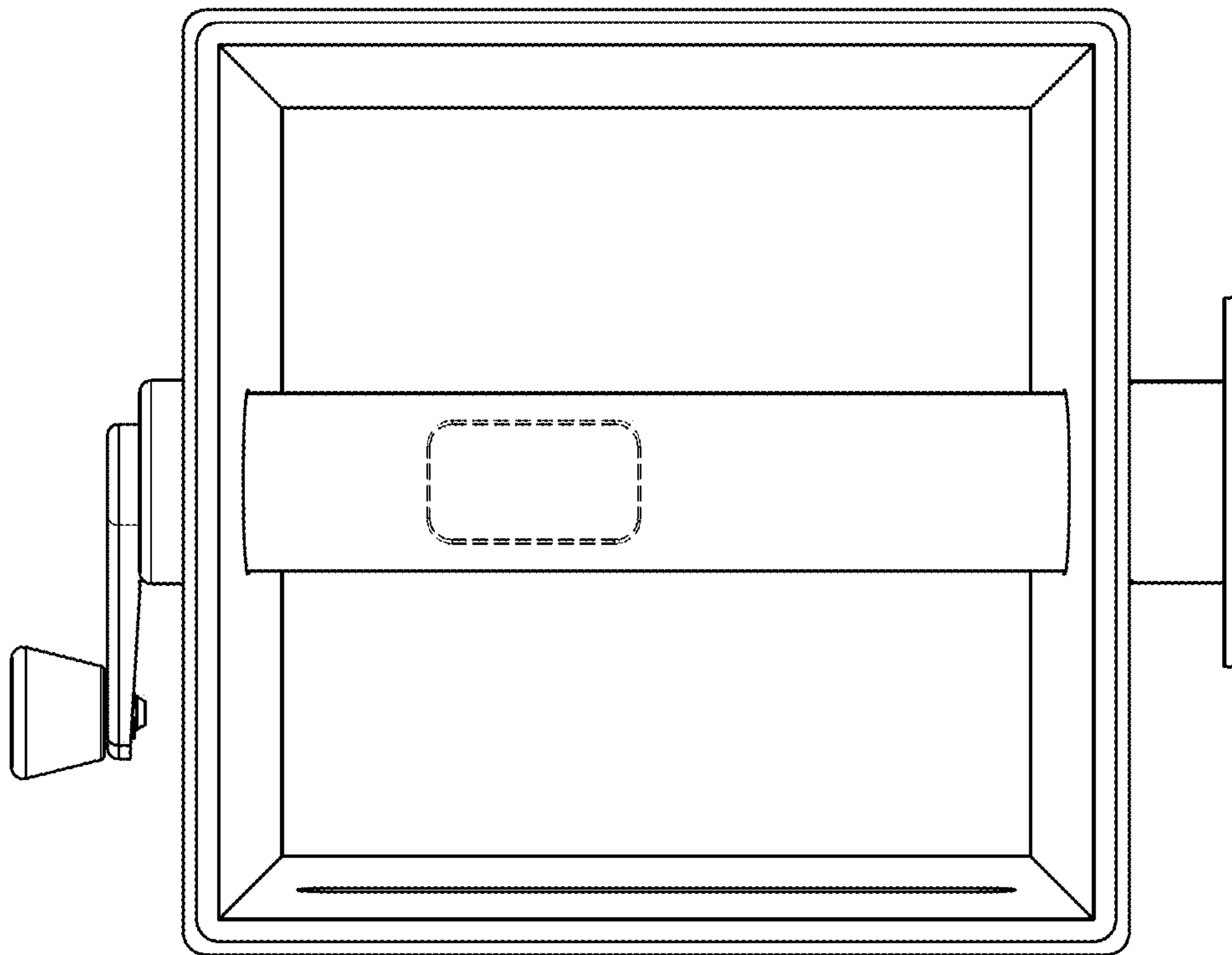


FIG. 6

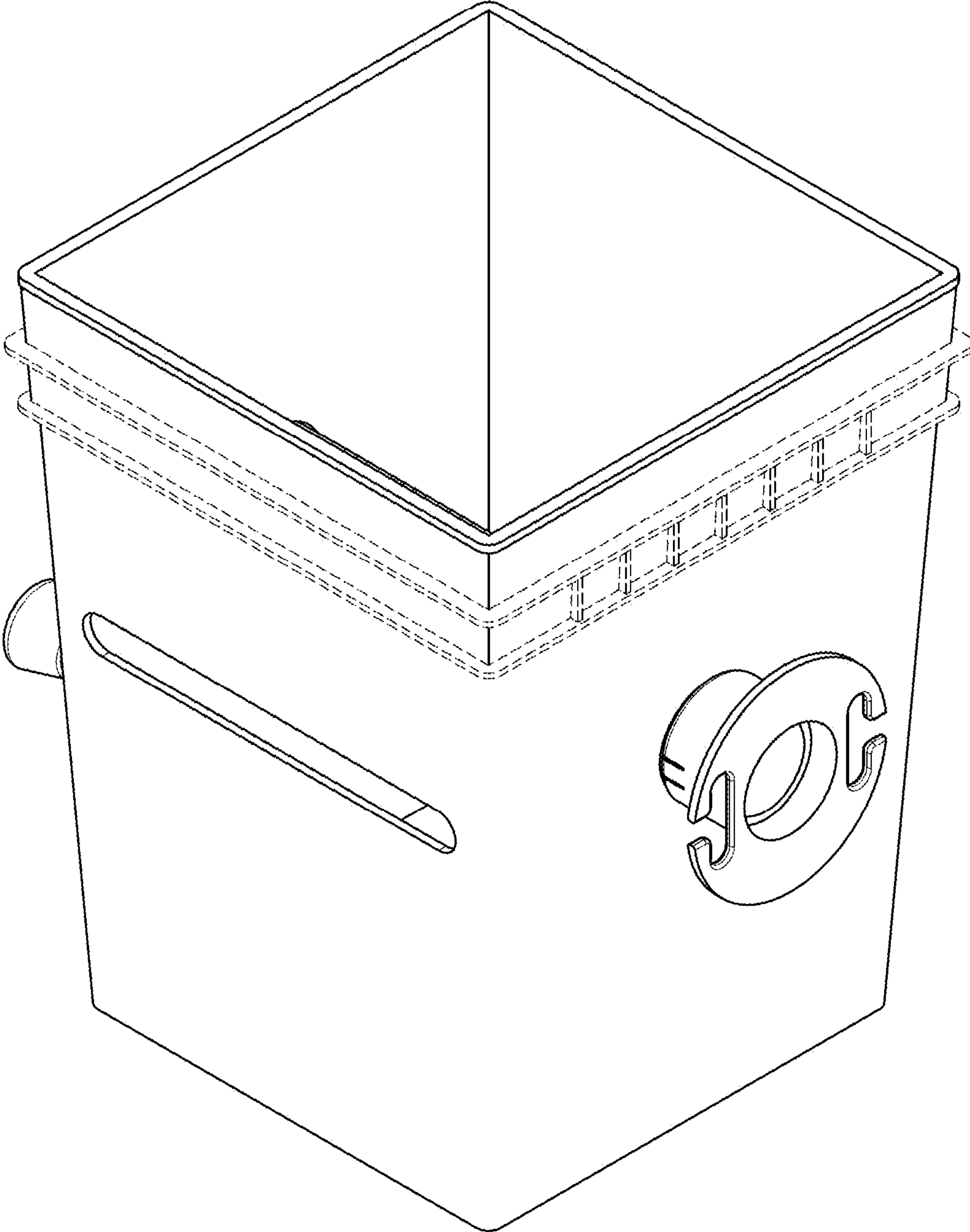


FIG. 7

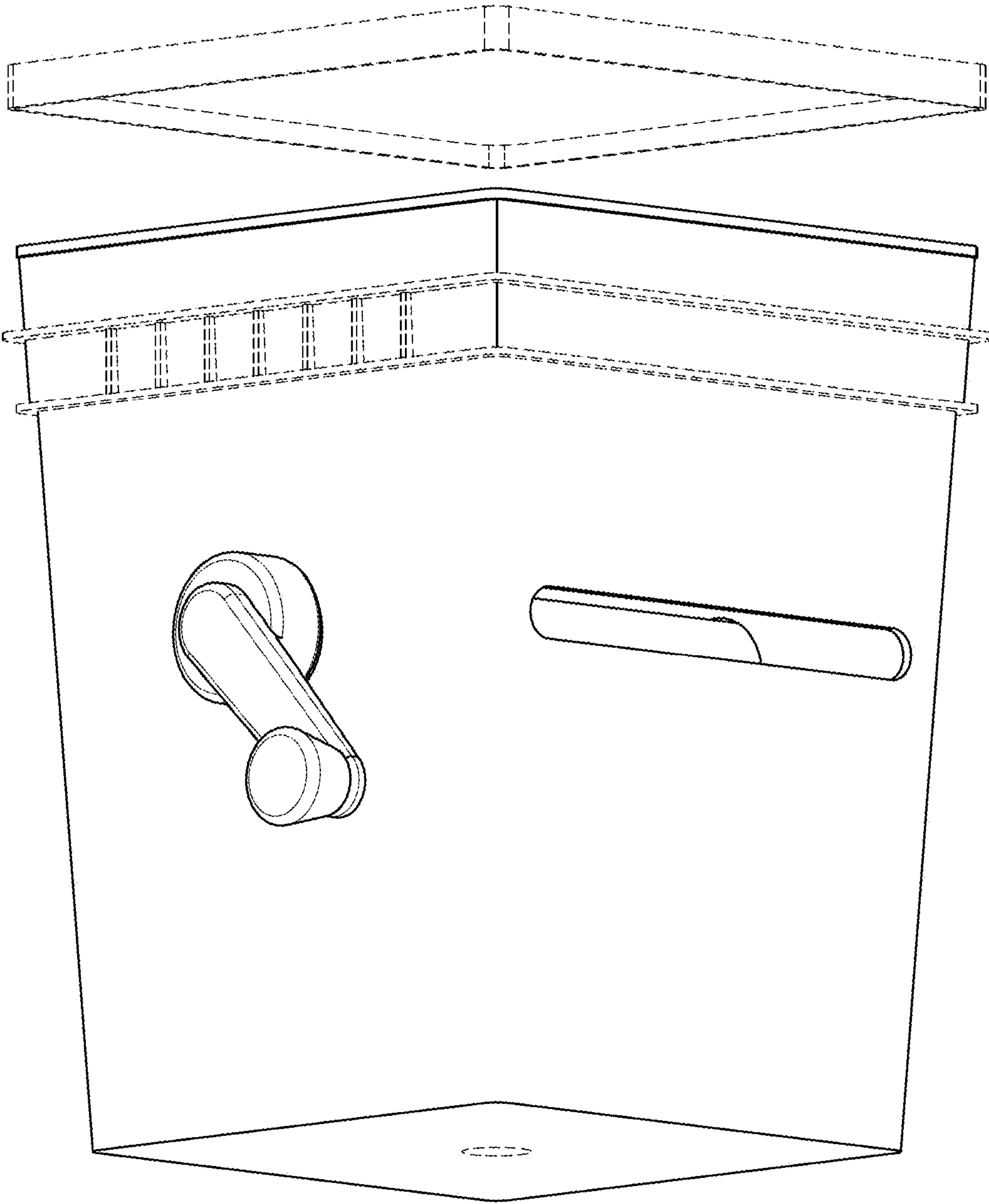


FIG. 8

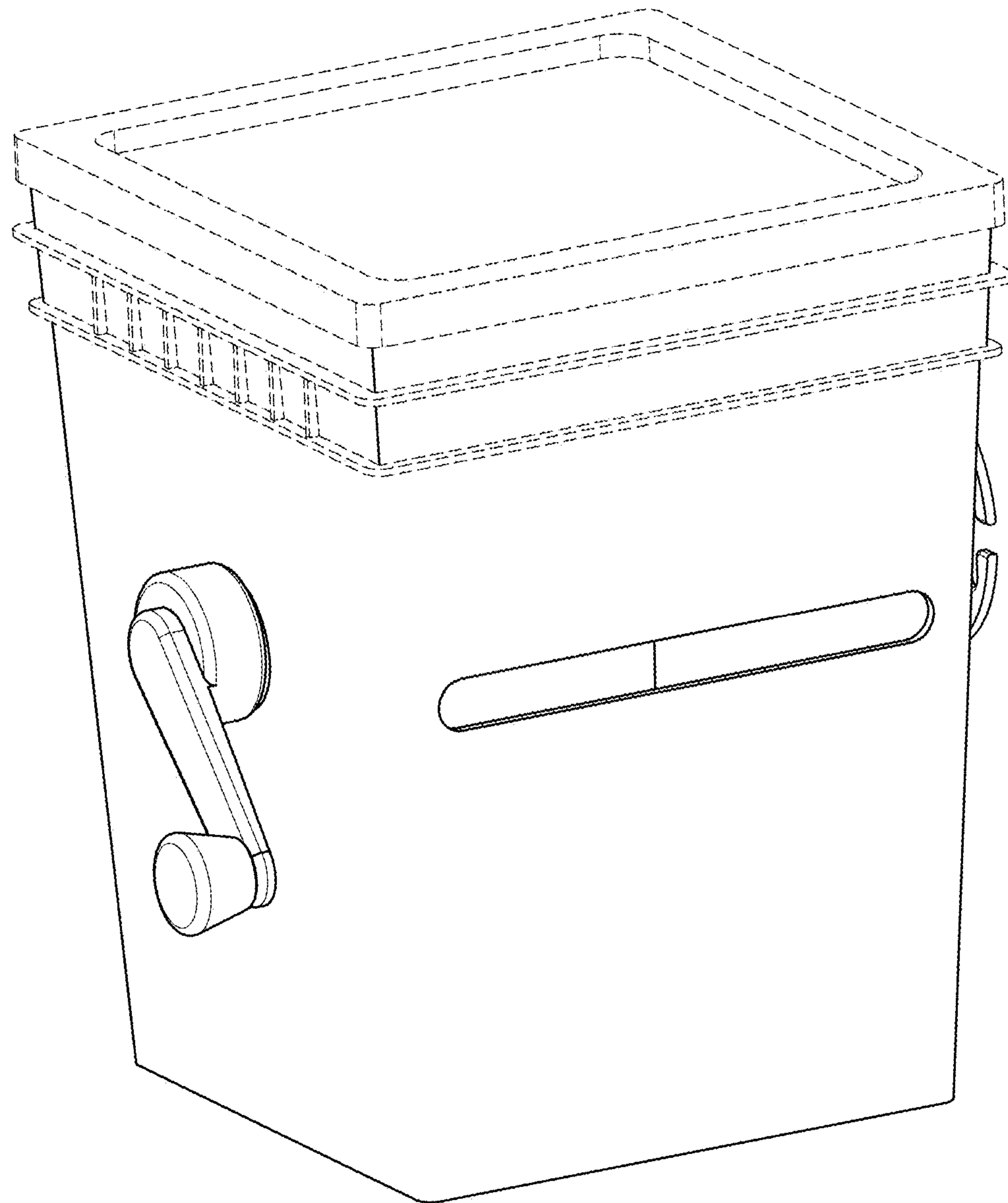


FIG. 9