

US00D934060S

(12) **United States Design Patent**
Petzl

(10) **Patent No.:** **US D934,060 S**
(45) **Date of Patent:** **** Oct. 26, 2021**

(54) **CARABINER**

(71) Applicant: **ZEDEL**, Crolles (FR)

(72) Inventor: **Paul Petzl**, Barraux (FR)

(73) Assignee: **ZEDEL**, Crolles (FR)

(**) Term: **15 Years**

(21) Appl. No.: **29/713,854**

(22) Filed: **Nov. 19, 2019**

(30) **Foreign Application Priority Data**

May 24, 2019 (EM) 006505731

(51) **LOC (13) Cl.** **09-06**

(52) **U.S. Cl.**
USPC **D8/356**

(58) **Field of Classification Search**
USPC D8/356, 354, 105, 349, 367; D3/207;
24/376
CPC B65H 57/16; B63B 21/045; A63B 29/08;
A63B 27/02
See application file for complete search history.

(56) **References Cited**

U.S. PATENT DOCUMENTS

- 582,780 A * 5/1897 Eldridge F16B 45/02
24/582.11
- D46,019 S * 6/1914 Cantrell D3/207
- D234,246 S * 2/1975 Martini D8/395
- 5,187,844 A * 2/1993 Simond F16B 45/02
24/302
- 5,575,446 A * 11/1996 Swenson A47G 33/10
248/304
- D387,652 S * 12/1997 Carlson, Jr. D8/356
- D494,055 S * 8/2004 Jones D8/395
- D577,574 S * 9/2008 Liang D8/356
- D584,132 S * 1/2009 Judd D8/356

- D607,712 S * 1/2010 Kelleghan D8/356
- D612,710 S * 3/2010 Kelleghan D8/356
- D626,393 S * 11/2010 Ormsbee D8/34
- D637,473 S * 5/2011 Mitchell D8/336
- D646,556 S * 10/2011 Kelleghan D8/356
- D649,018 S * 11/2011 Kope D8/367
- D669,764 S * 10/2012 Kelleghan D8/356
- D698,625 S * 2/2014 Liang D8/356
- D698,626 S * 2/2014 Ormsbee D8/356
- D702,106 S * 4/2014 Weinberg D8/356
- D725,373 S * 3/2015 Jiang D3/207
- D729,513 S * 5/2015 Jiang D3/207
- 9,255,602 B2 * 2/2016 Liang F16B 45/06
- D762,460 S * 8/2016 Gobbi D8/356
- D765,493 S * 9/2016 Spater D8/356
- D766,071 S * 9/2016 Spater D8/356
- D767,975 S * 10/2016 Jiang D8/356
- 9,521,939 B2 * 12/2016 Haarbuerger A47L 13/16
- D775,513 S * 1/2017 Kelleghan D8/356
- D784,798 S * 4/2017 Logsdon D8/394
- D785,316 S * 5/2017 Grossman D3/208
- D785,317 S * 5/2017 Grossman D3/208
- D789,190 S * 6/2017 Vermillion D8/396

(Continued)

Primary Examiner — Cynthia R Underwood
(74) *Attorney, Agent, or Firm* — Oliff PLC

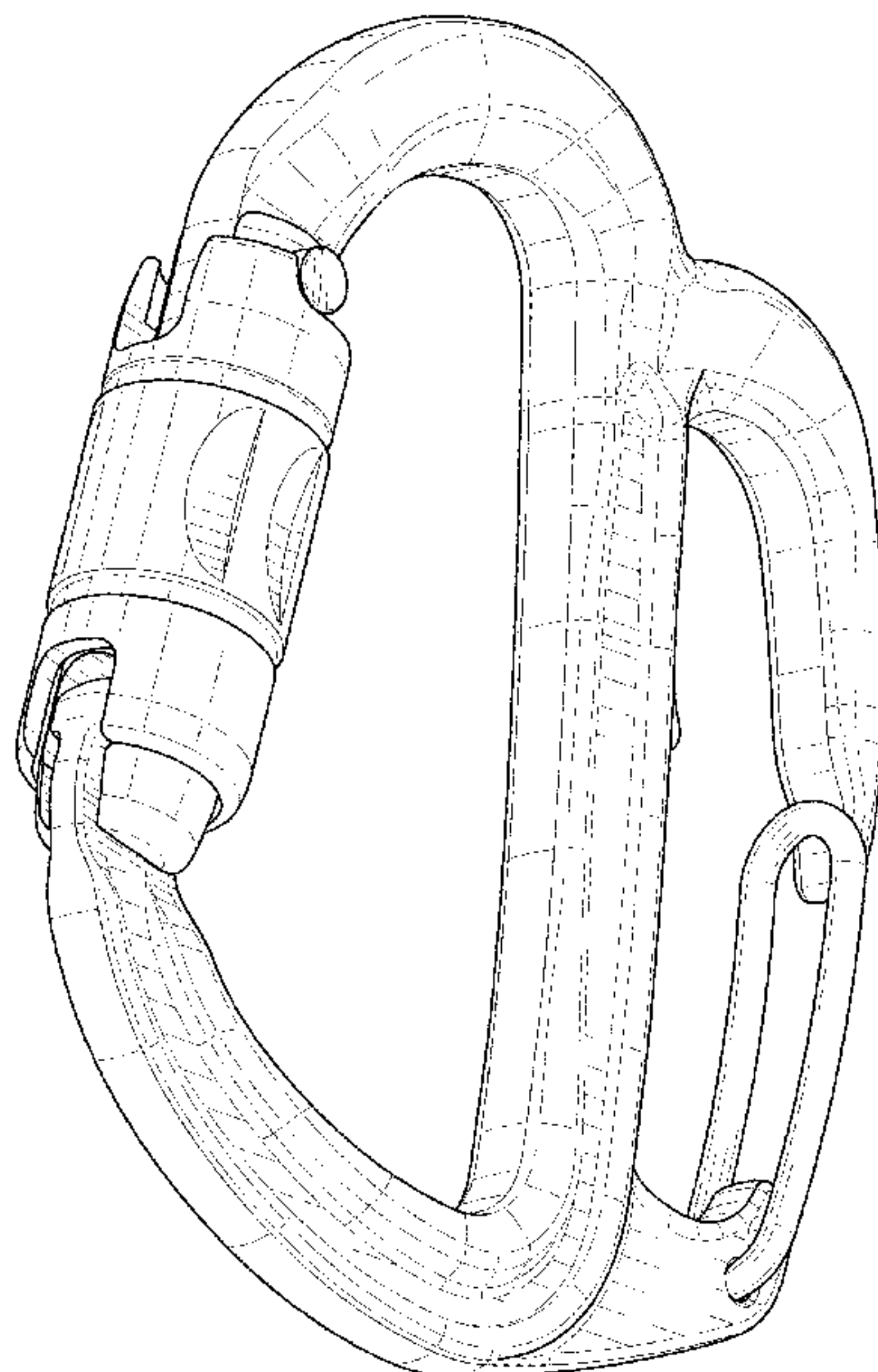
(57) **CLAIM**

The ornamental design for a carabiner, as shown and described.

DESCRIPTION

FIG. 1 is a front perspective view of a carabiner;
FIG. 2 is a front elevational view thereof;
FIG. 3 is a rear elevational view thereof;
FIG. 4 is a left-side elevational view thereof;
FIG. 5 is a right-side elevational view thereof;
FIG. 6 is a top plan view thereof;
FIG. 7 is a bottom plan view thereof; and,
FIG. 8 is a rear perspective view thereof.

1 Claim, 6 Drawing Sheets



(56)

References Cited

U.S. PATENT DOCUMENTS

D790,327	S *	6/2017	Renforth	D8/356
9,797,432	B2 *	10/2017	Inkavesvaanit	F16B 45/02
9,903,511	B2 *	2/2018	Vermillion	F16L 3/137
D811,838	S *	3/2018	Enrico	D8/34
D821,090	S *	6/2018	Case	D3/207
D821,854	S *	7/2018	Berman	D8/356
D854,916	S *	7/2019	Derr	D8/356
D858,088	S *	9/2019	Osmanski	D3/207
D861,327	S *	10/2019	Osmanski	D3/207
10,499,712	B2 *	12/2019	Cowdery	A44B 13/02
10,514,057	B2 *	12/2019	Cardella	E05B 17/0041
D882,378	S *	4/2020	Graykowski	D8/356
10,624,426	B2 *	4/2020	Adelman	F16B 2/22
D902,009	S *	11/2020	Yang	D8/336
2003/0167608	A1 *	9/2003	Petzl	F16B 45/02 24/600.2
2009/0000086	A1 *	1/2009	Bing	F16B 45/06 24/592.11
2015/0000613	A1 *	1/2015	Cooke	E05B 37/025 119/795
2016/0153487	A1 *	6/2016	Hollinger	F16B 45/02 24/376

* cited by examiner

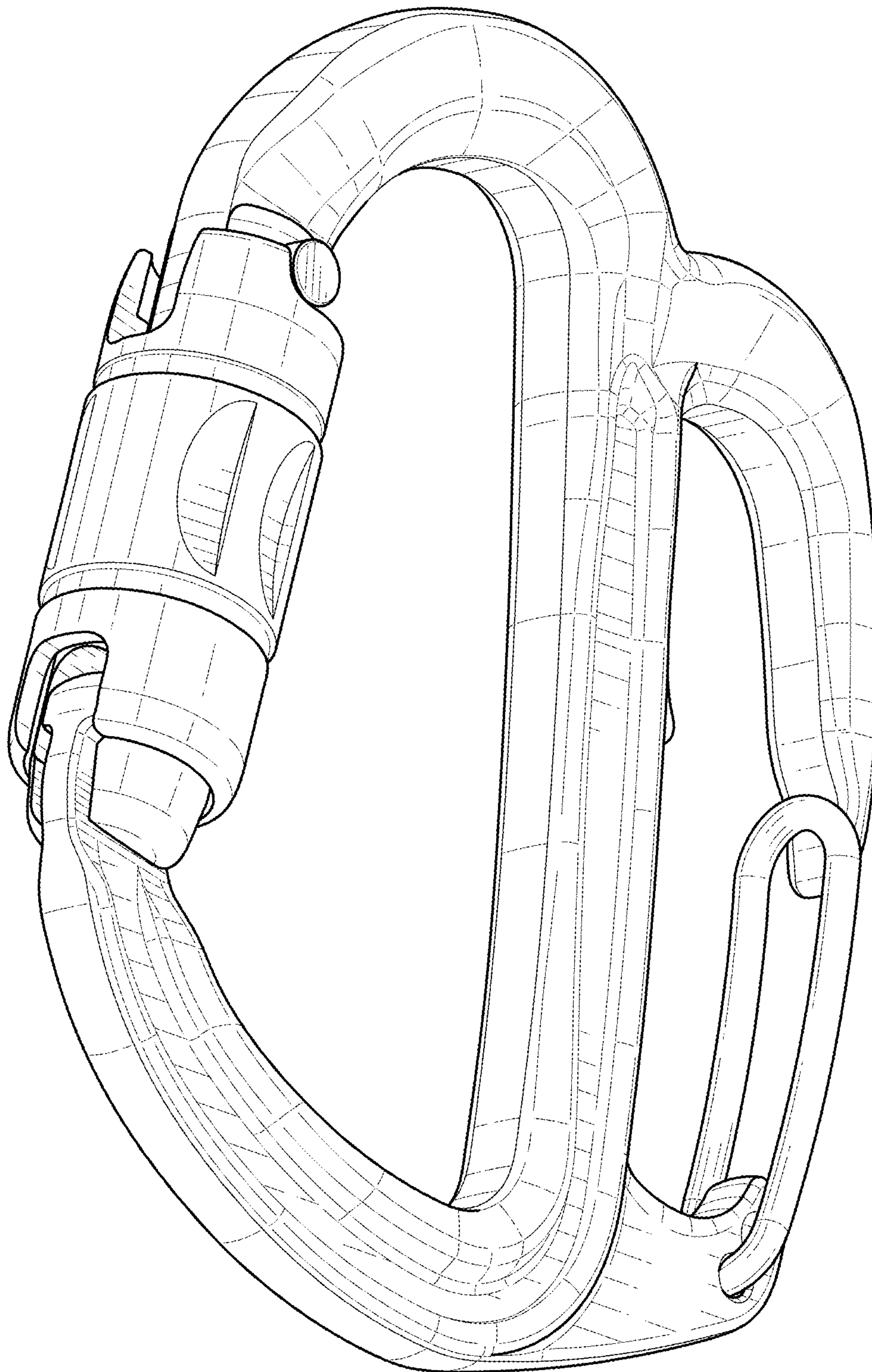


FIG. 1

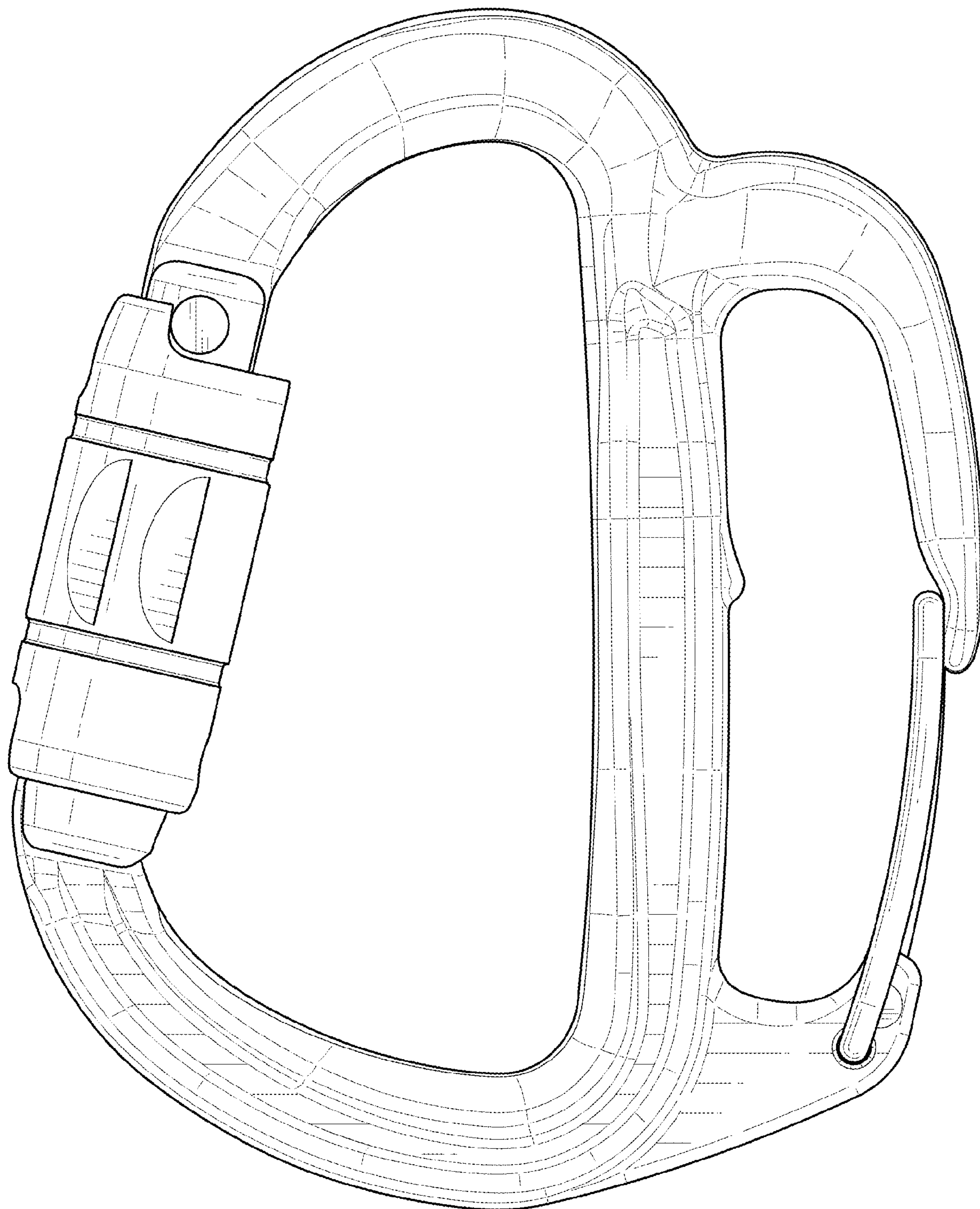


FIG. 2

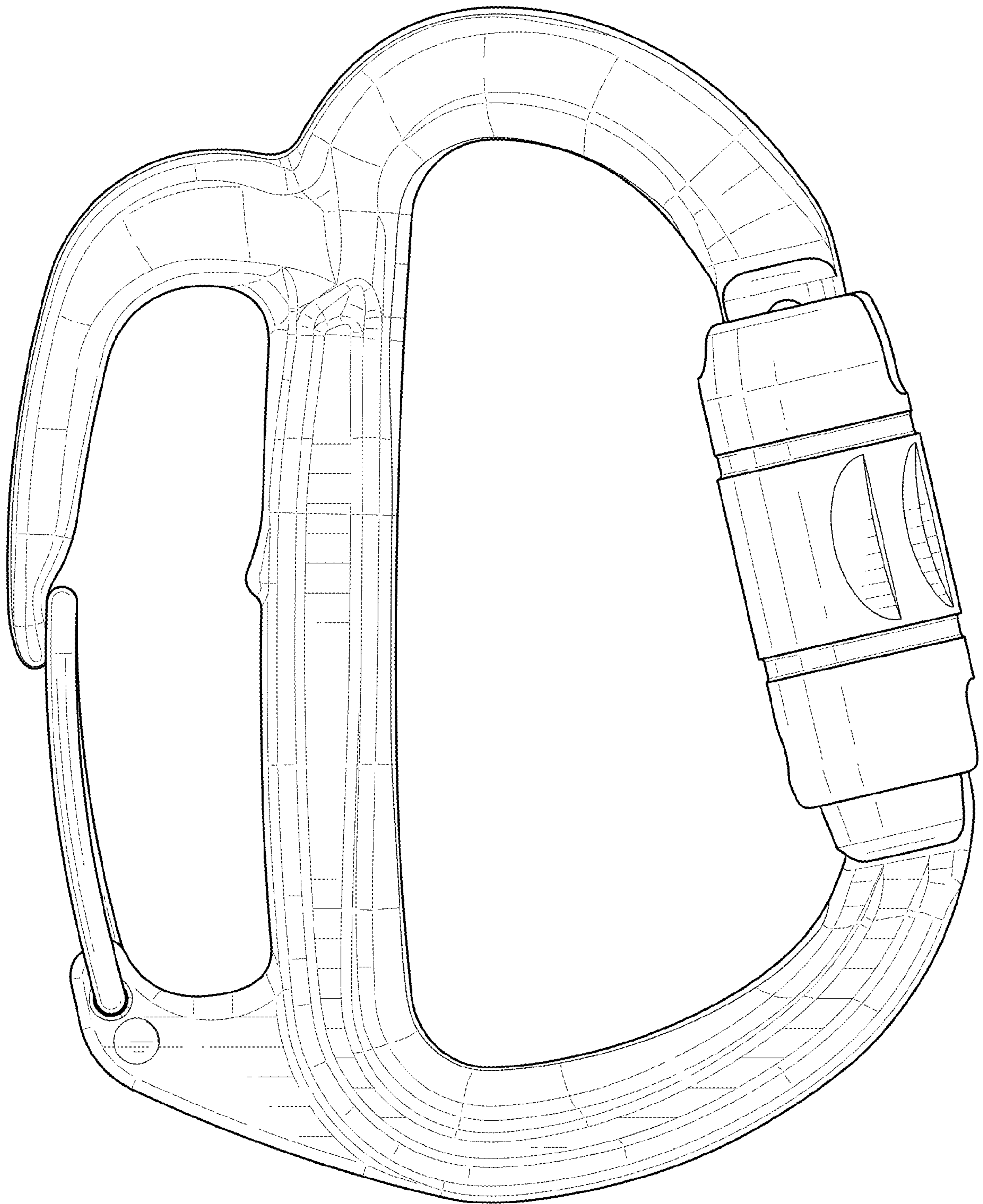


FIG. 3

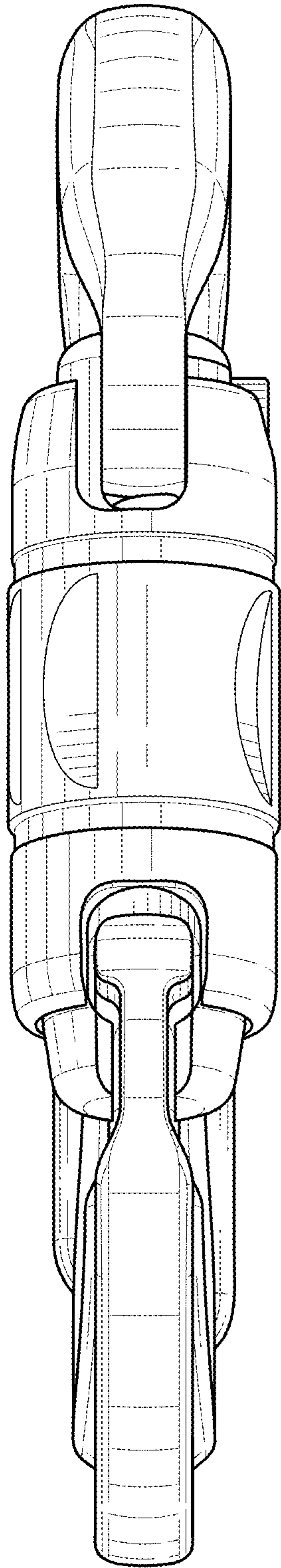


FIG. 4

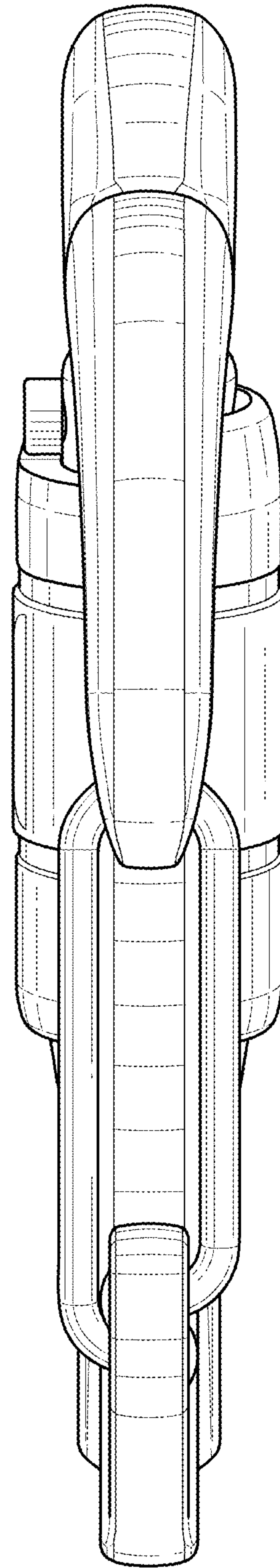


FIG. 5

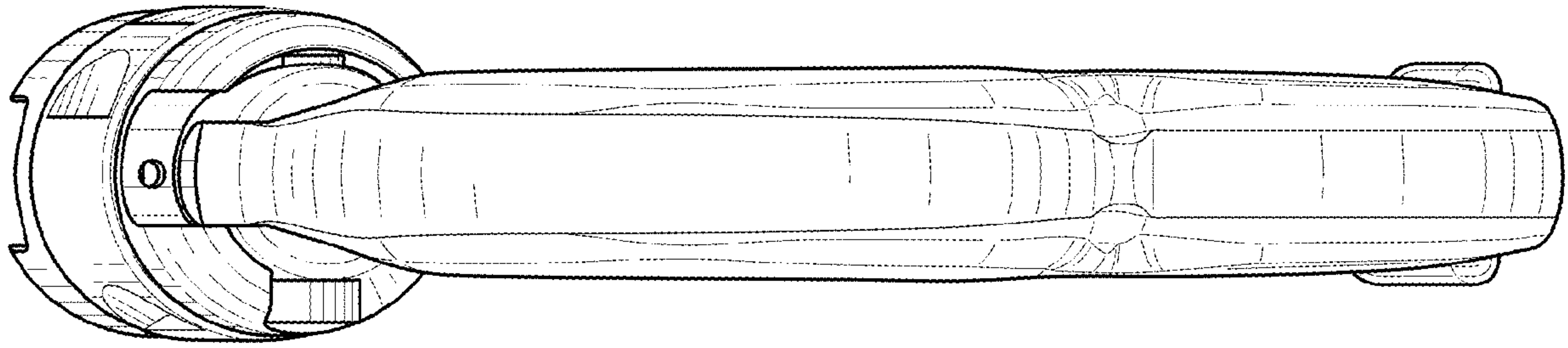


FIG. 6

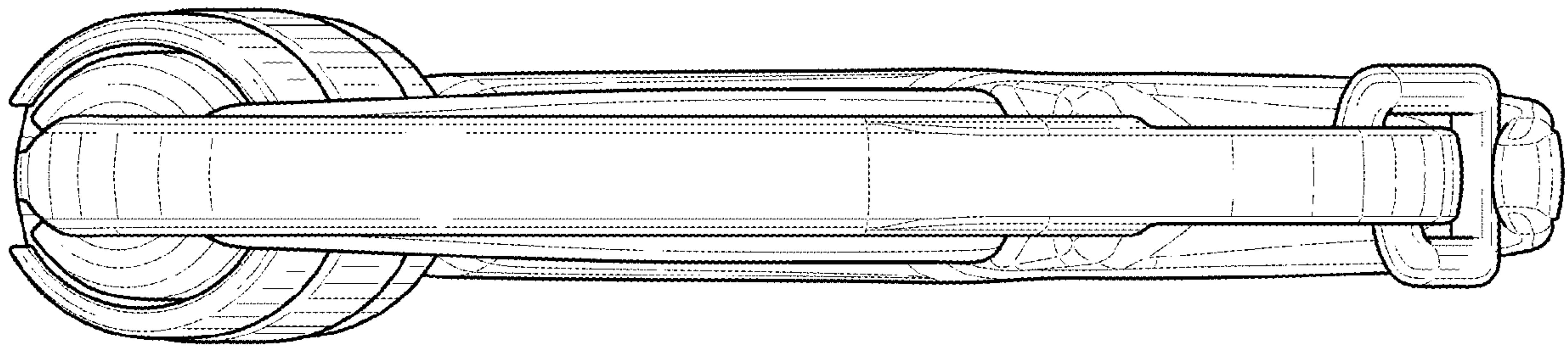


FIG. 7

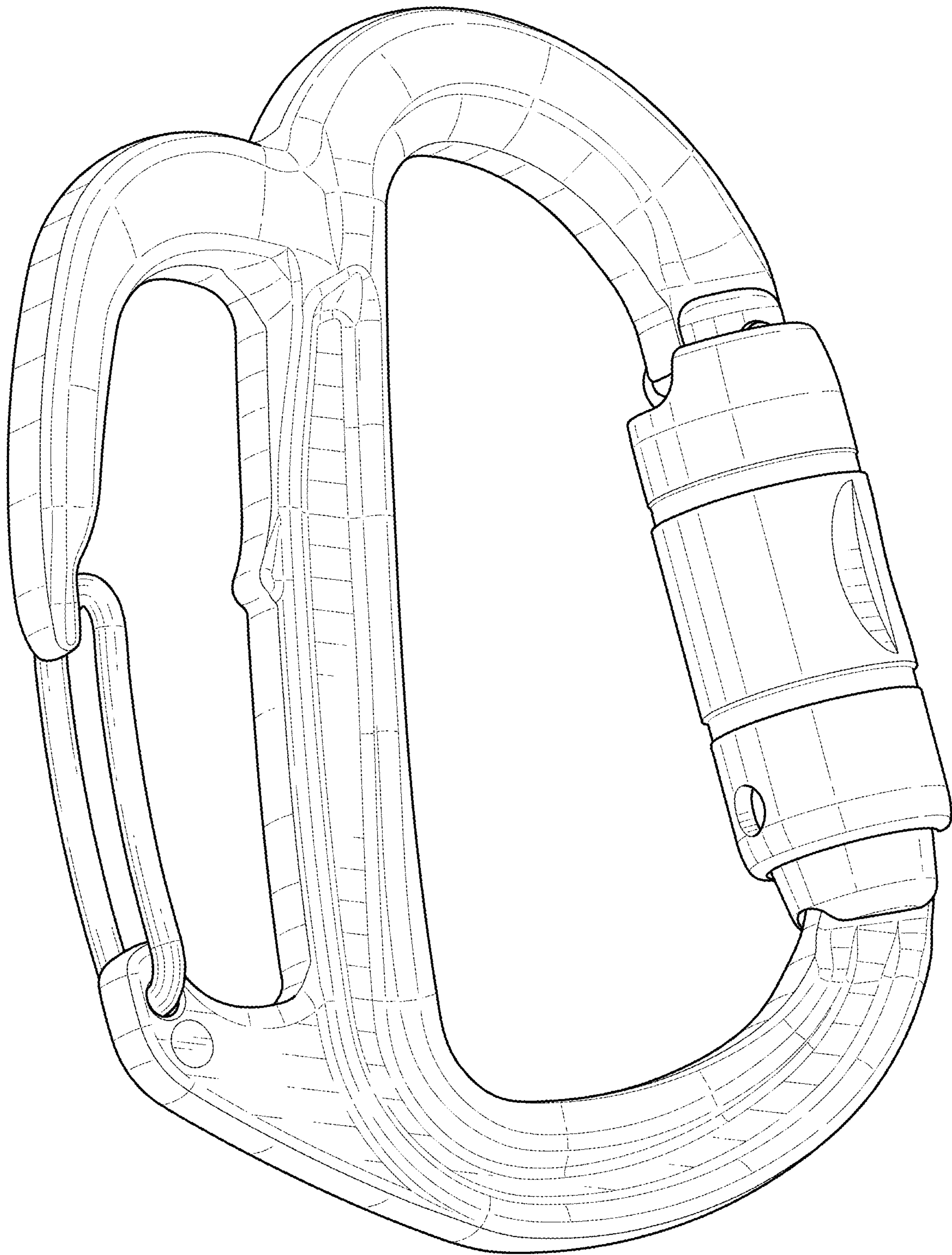


FIG. 8