



US00D934056S

(12) **United States Design Patent**
Ainge et al.

(10) **Patent No.:** **US D934,056 S**

(45) **Date of Patent:** **** Oct. 26, 2021**

(54) **STABILISATION RING SEGMENT FOR AN UNDERGROUND REAMER**

(71) Applicant: **IRON GRIP HOLDINGS PTY LIMITED**, Eastern Creek (AU)

(72) Inventors: **Stephen Ainge**, Eastern Creek (AU);
Seyed Ali Heydarshahy, Eastern Creek (AU)

(73) Assignee: **IRON GRIP HOLDINGS PTY LIMITED**, Eastern Creek (AU)

(**) Term: **15 Years**

(21) Appl. No.: **29/647,365**

(22) Filed: **May 11, 2018**

(30) **Foreign Application Priority Data**

Nov. 21, 2017 (AU) 201717090

(51) **LOC (13) Cl.** **08-05**

(52) **U.S. Cl.**
USPC **D8/354**

(58) **Field of Classification Search**
USPC D8/349, 354, 355; D15/21, 28
CPC E21B 10/32; E21B 7/28
See application file for complete search history.

(56) **References Cited**

U.S. PATENT DOCUMENTS

- 3,705,635 A * 12/1972 Conn E21B 10/28
175/364
- 3,921,734 A * 11/1975 Goodfellow E21B 10/10
175/364
- 4,760,890 A * 8/1988 Saxman E21B 10/10
175/363
- D403,233 S * 12/1998 Nagato D8/354
- D403,234 S * 12/1998 Nagato D8/354

- D463,252 S * 9/2002 Switz D8/354
- D464,866 S * 10/2002 Switz D8/354
- D581,191 S * 11/2008 Shen D6/709
- D736,065 S * 8/2015 Castellano D8/354
- 2008/0100016 A1 * 5/2008 Parisi B60G 21/0551
280/124.13
- 2010/0319993 A1 * 12/2010 Bhome E21B 7/28
175/53
- 2021/0087887 A1 * 3/2021 Ainge E21B 7/28

* cited by examiner

Primary Examiner — Lauren R Calve

(57) **CLAIM**

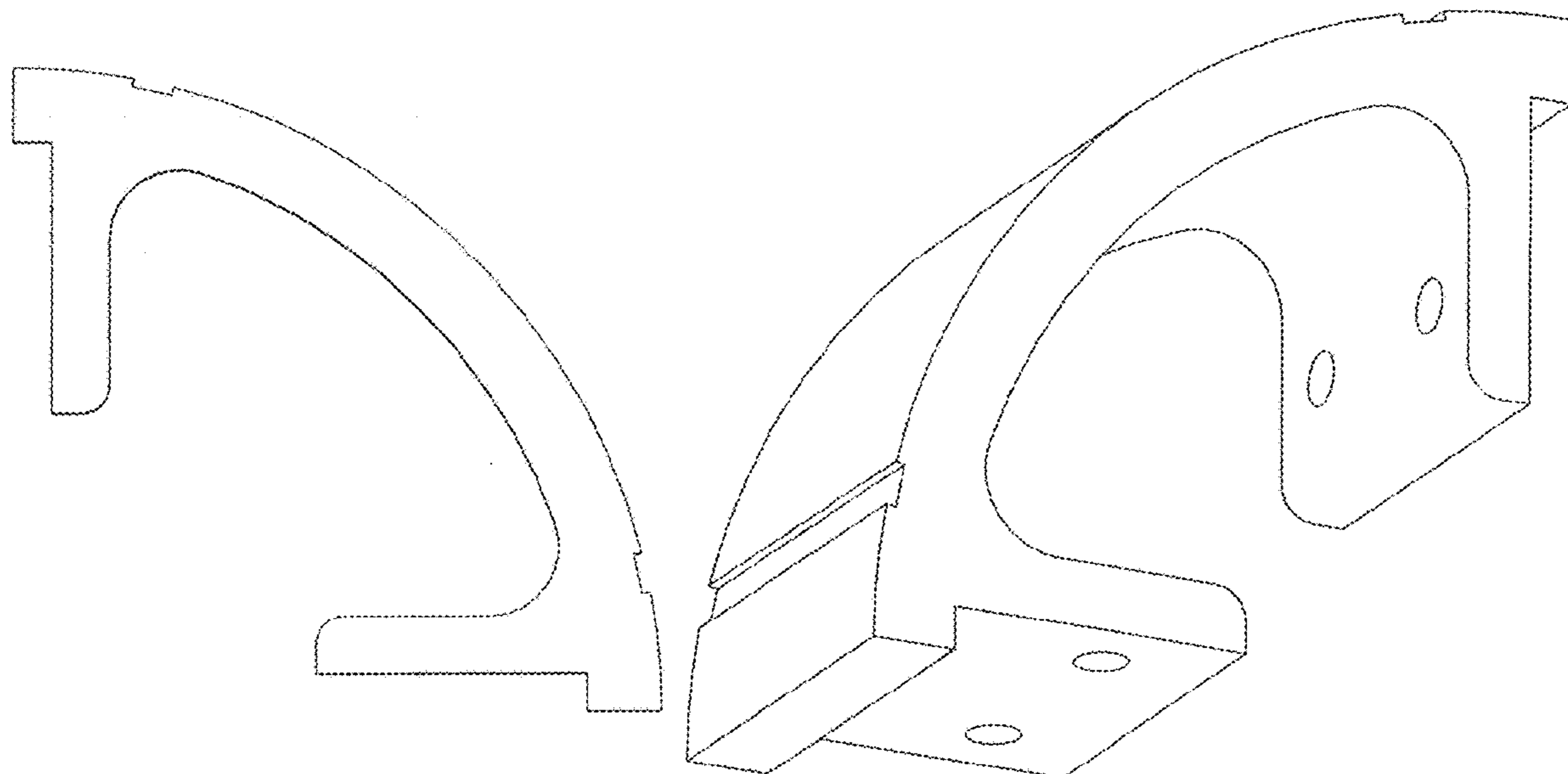
The ornamental design for a stabilisation ring segment for an underground reamer, as shown and described.

DESCRIPTION

FIG. 1 is a top view of a first embodiment of a stabilisation ring segment for an underground reamer;
 FIG. 2 is a left side view thereof;
 FIG. 3 is a front view thereof;
 FIG. 4 is a right side view thereof;
 FIG. 5 is a bottom view thereof;
 FIG. 6 is a front perspective view thereof
 FIG. 7 is a rear perspective view thereof;
 FIG. 8 is a top view of a second embodiment of a stabilisation ring segment for an underground reamer;
 FIG. 9 is a left side view thereof;
 FIG. 10 is a front view thereof;
 FIG. 11 is a right side view thereof;
 FIG. 12 is a bottom view thereof;
 FIG. 13 is a front perspective view thereof; and,
 FIG. 14 is a rear perspective view thereof.

The second embodiment of the stabilisation ring segment for an underground reamer is shown with a symbolic break in its length. The appearance of any portion of the article between the break lines forms no part of the claimed design.

1 Claim, 4 Drawing Sheets



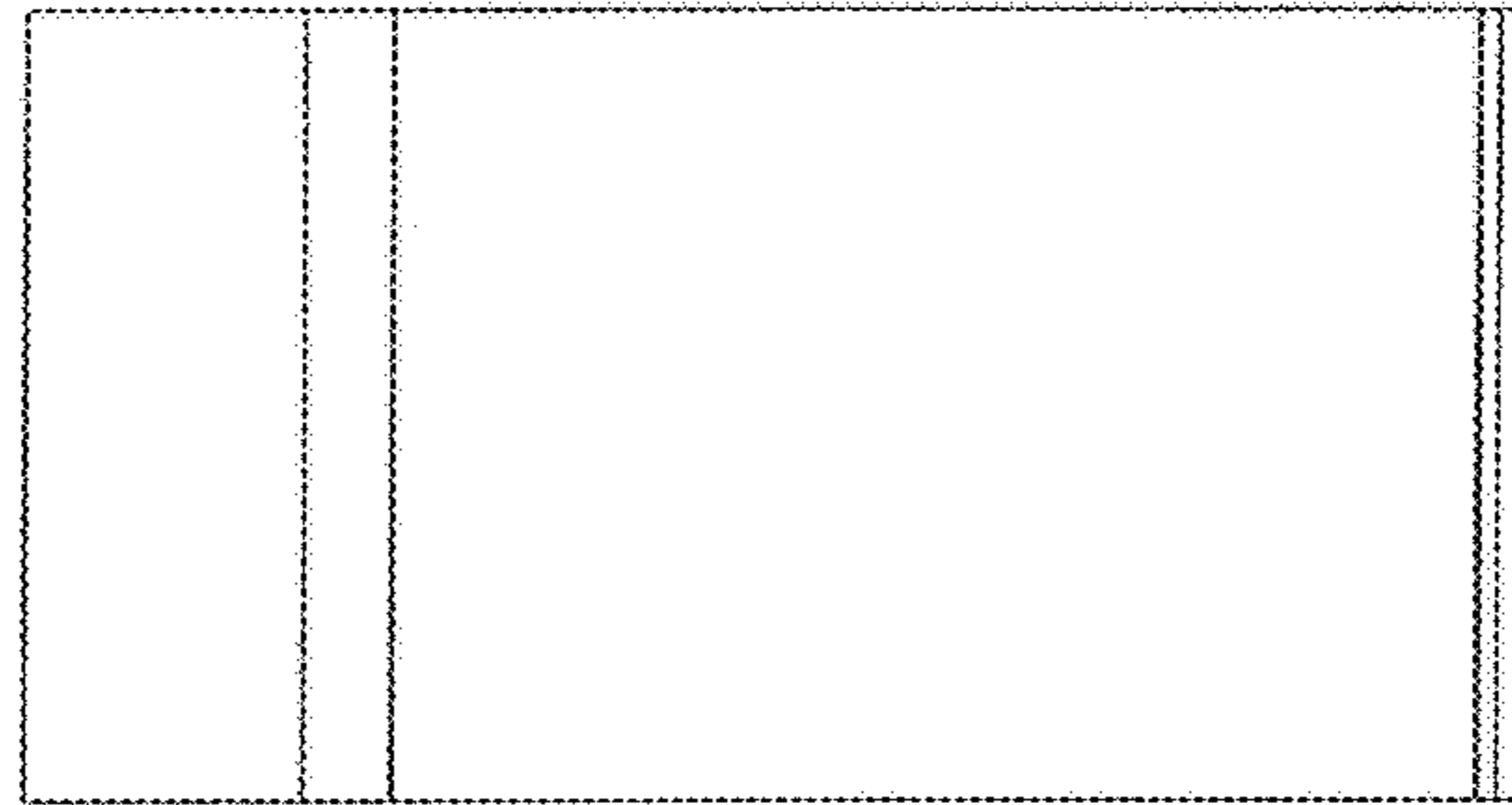


FIG. 1

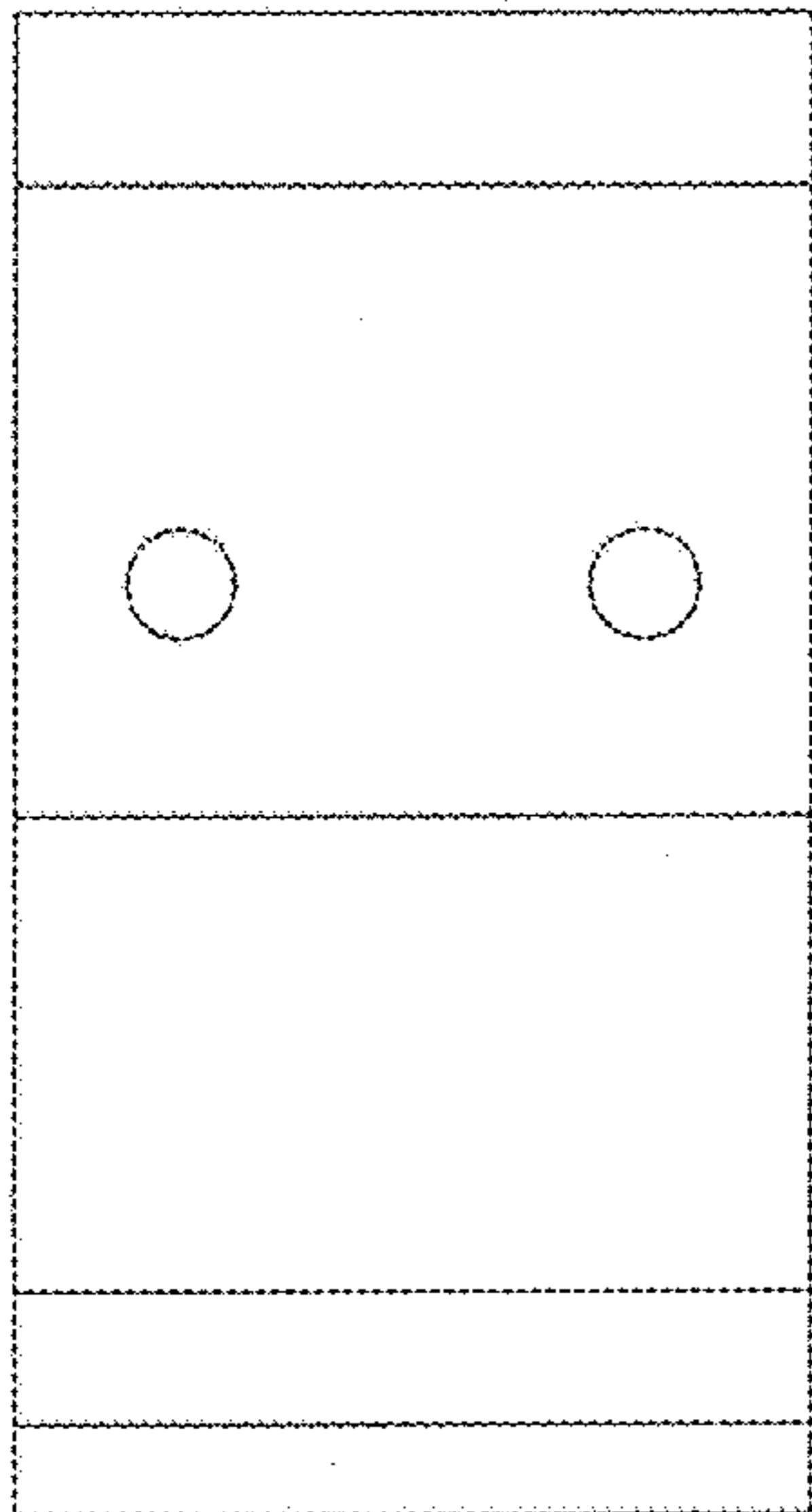


FIG. 2

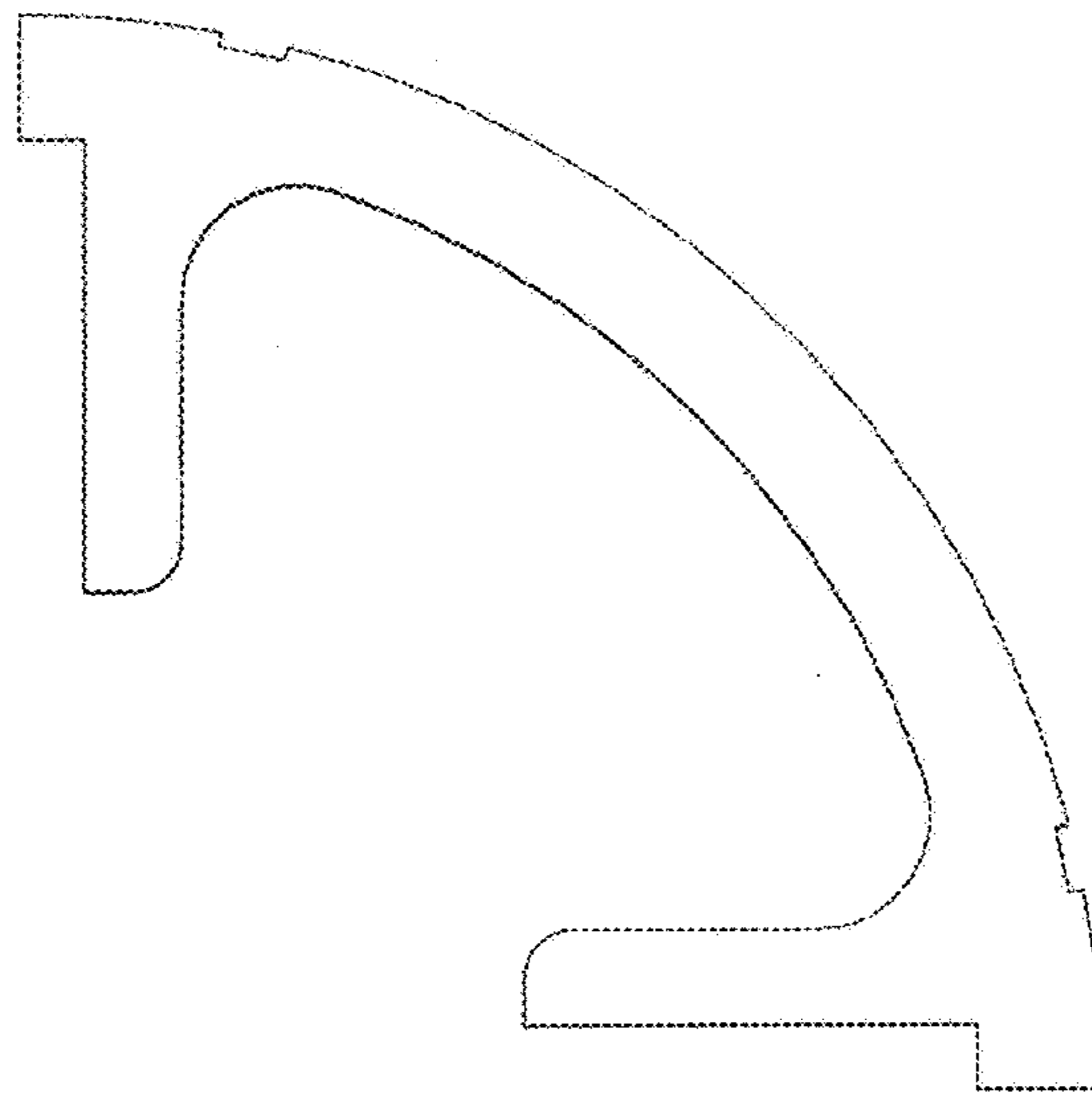


FIG. 3

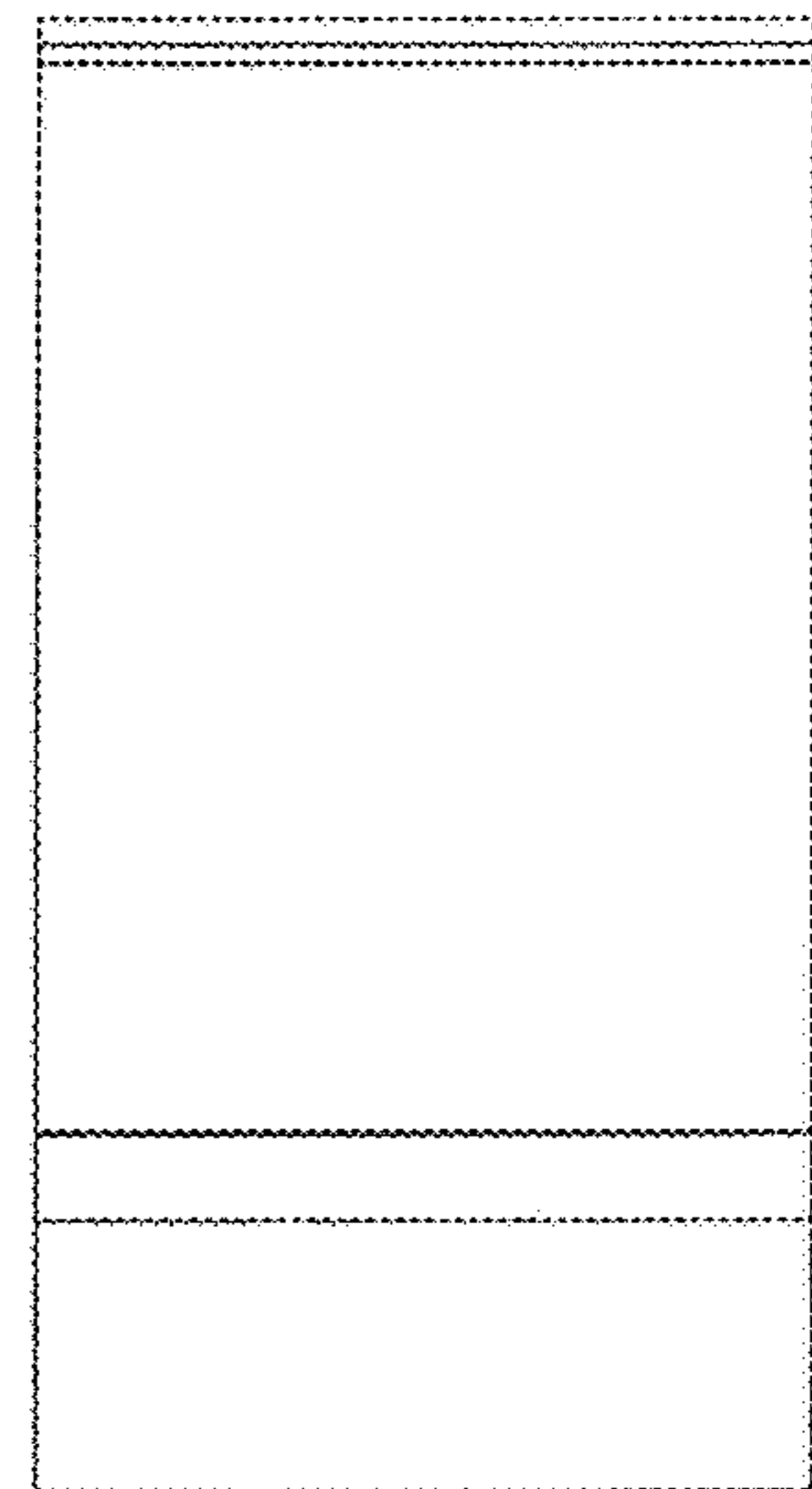


FIG. 4

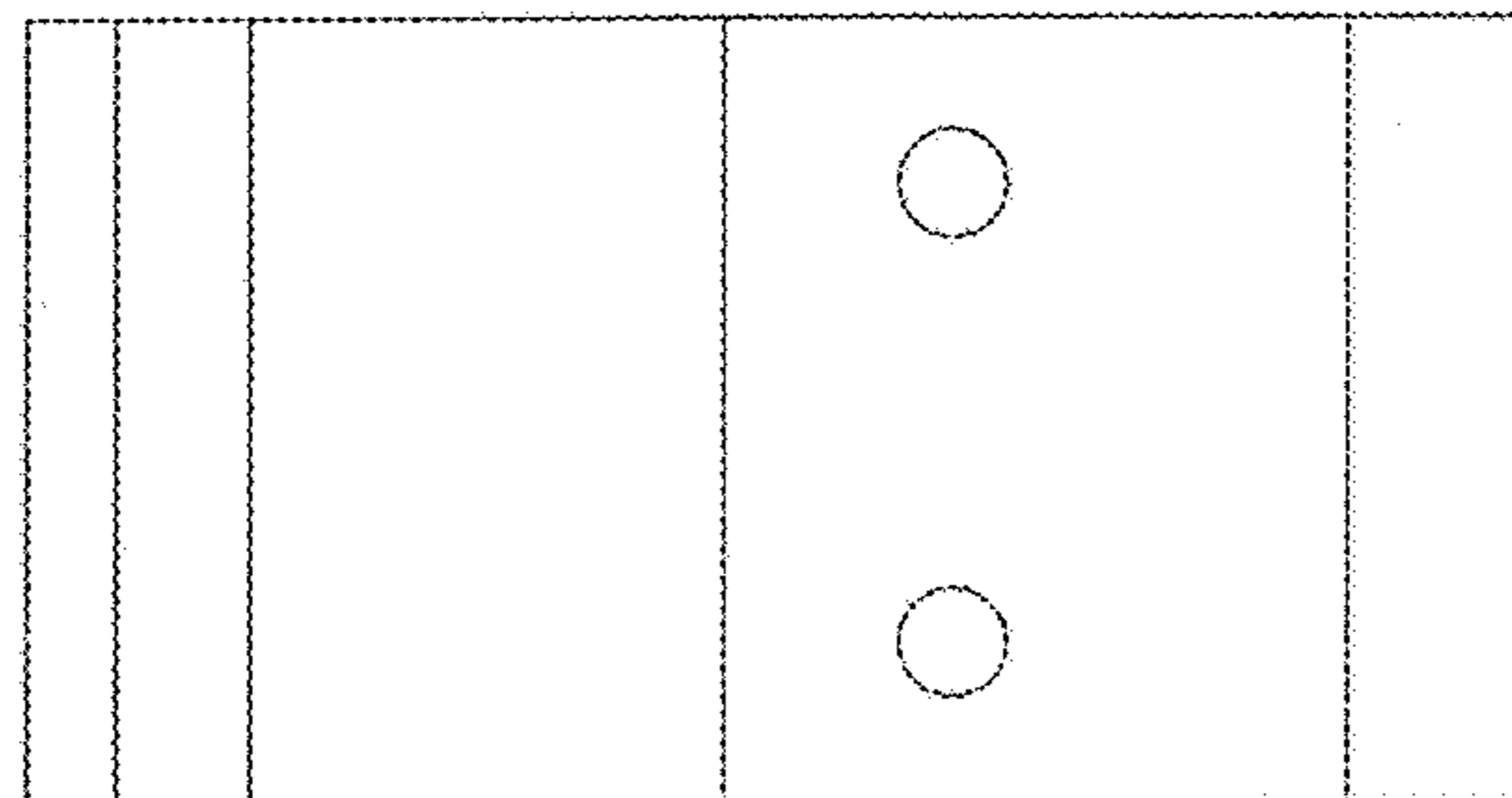


FIG. 5

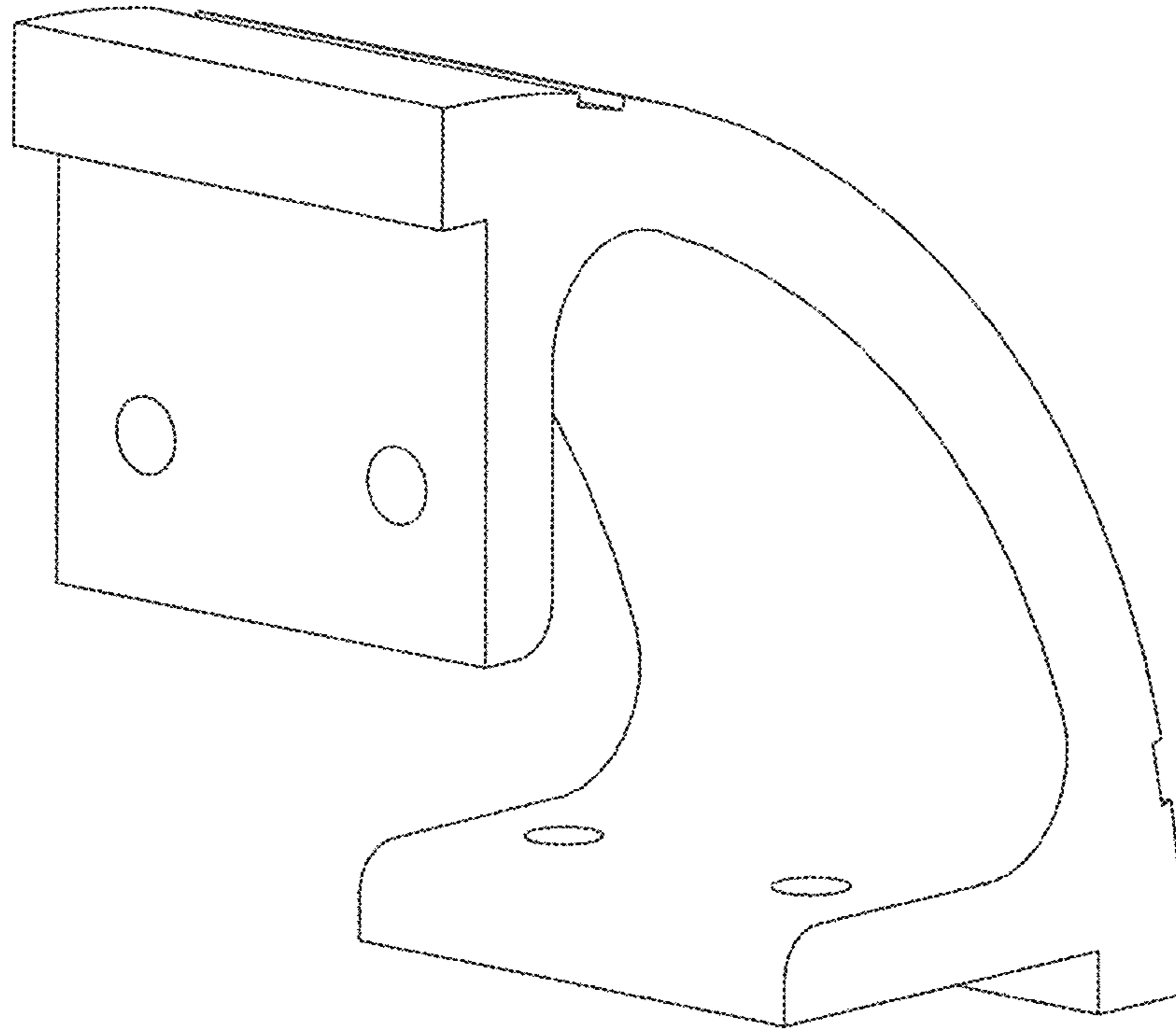


FIG. 6

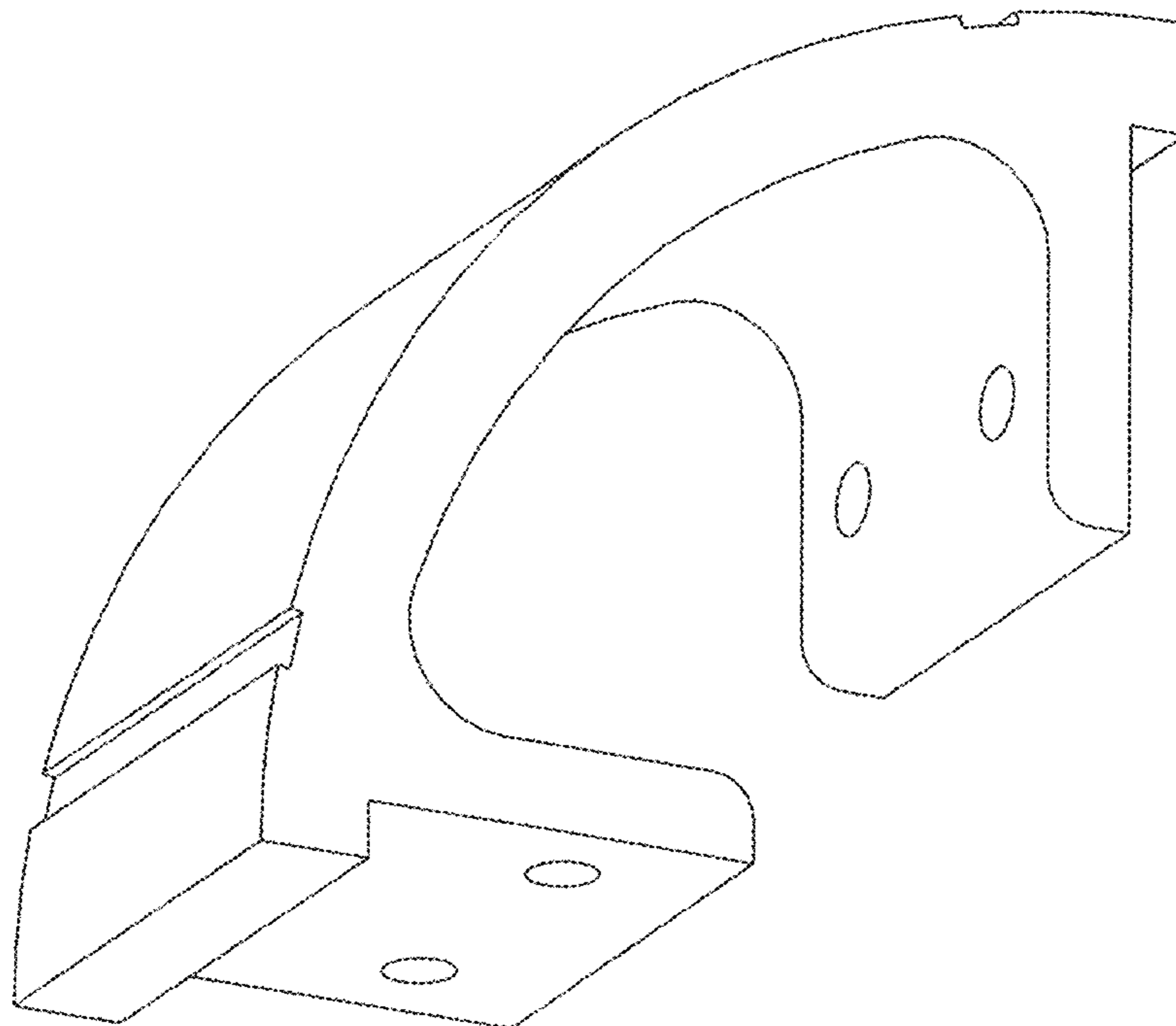


FIG. 7

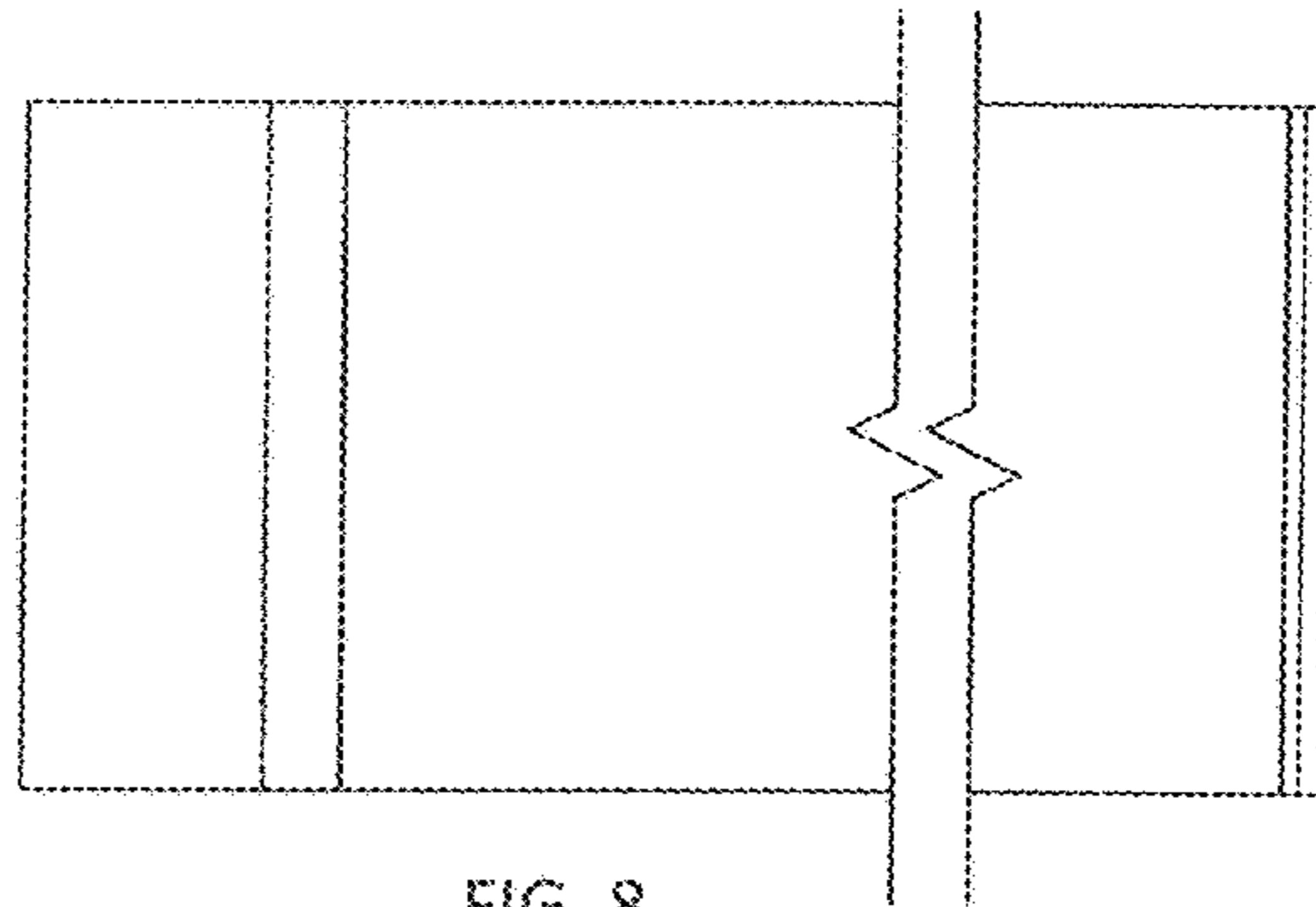


FIG. 8

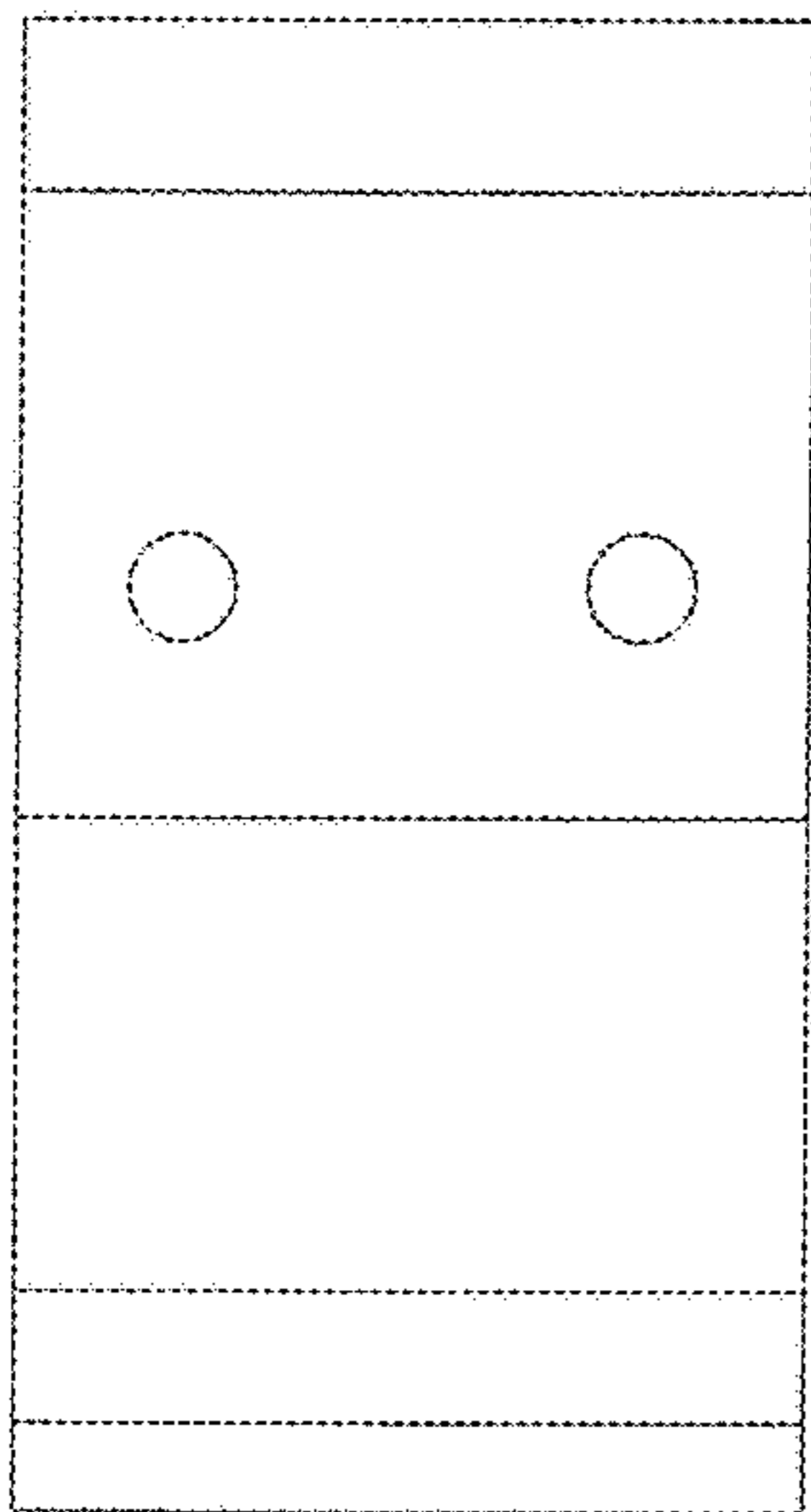


FIG. 9

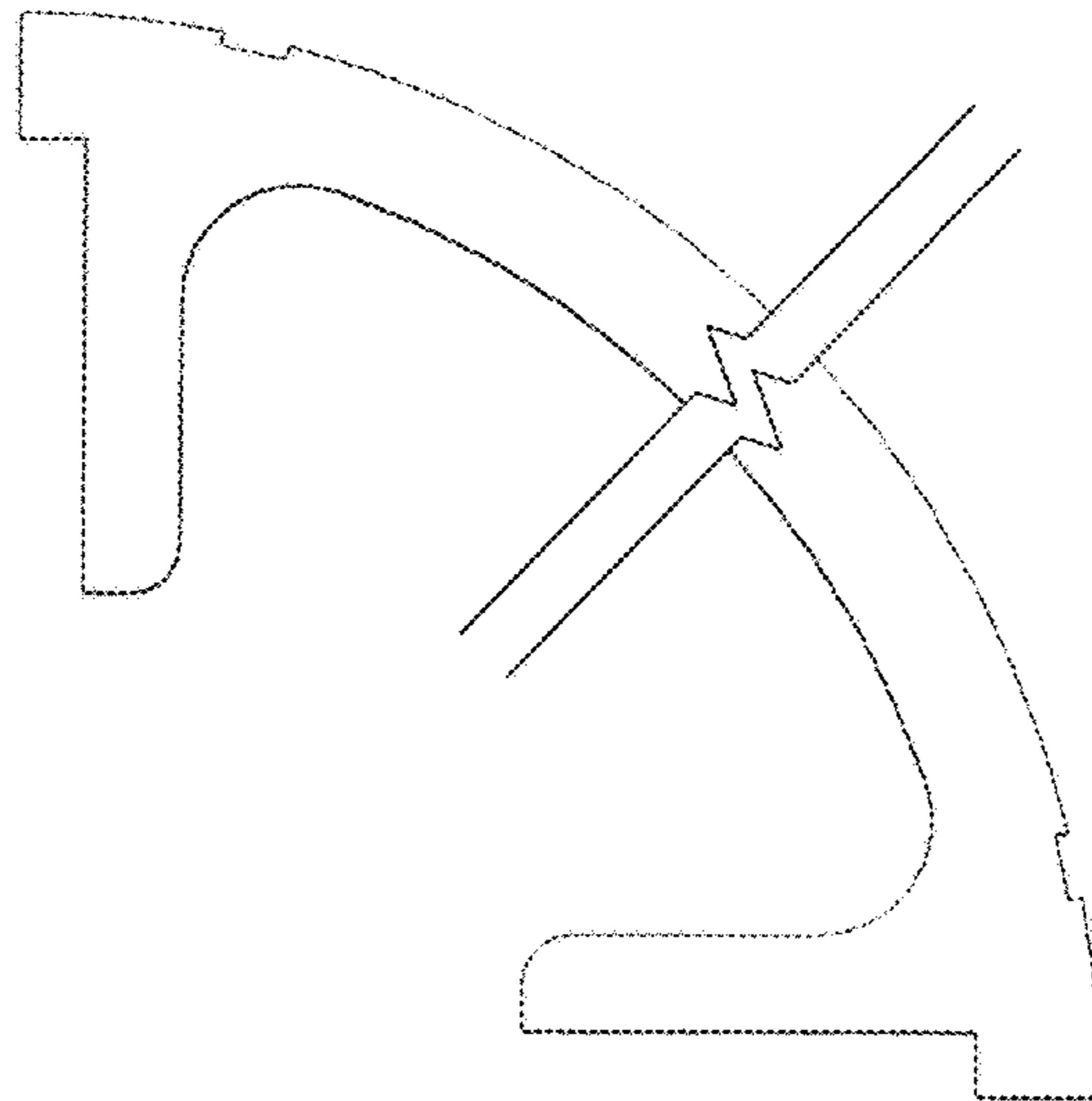


FIG. 10

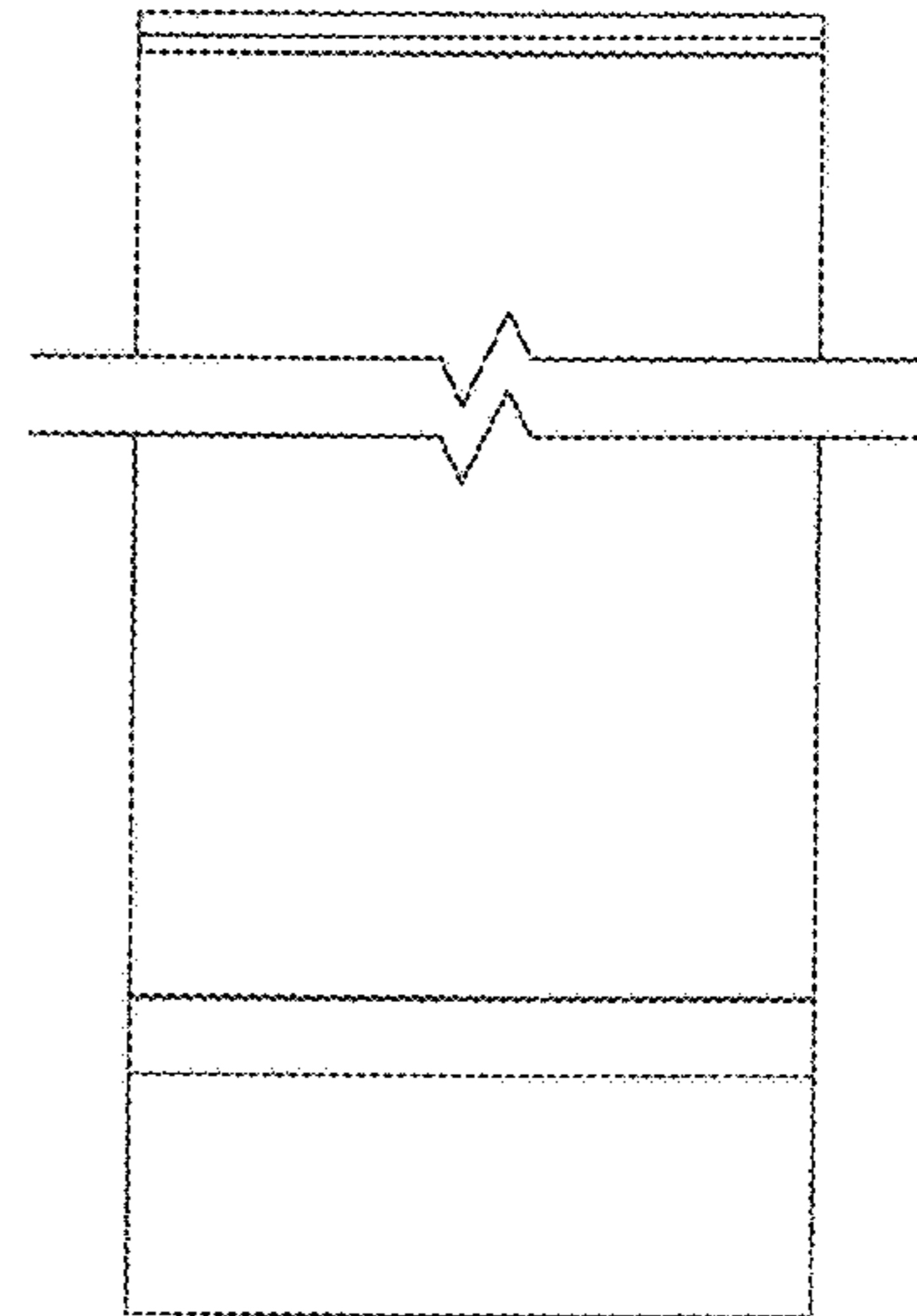


FIG. 11

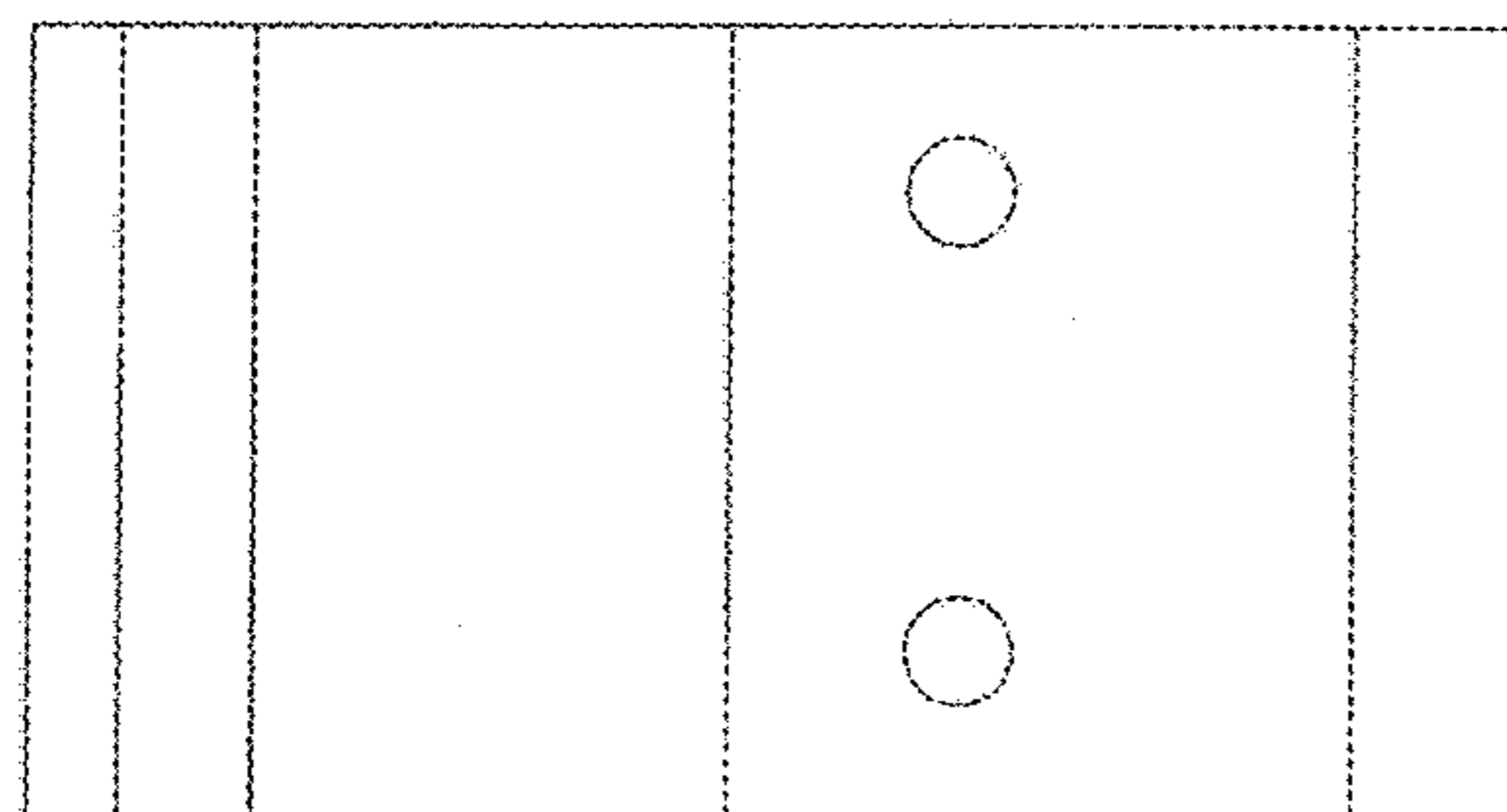


FIG. 12

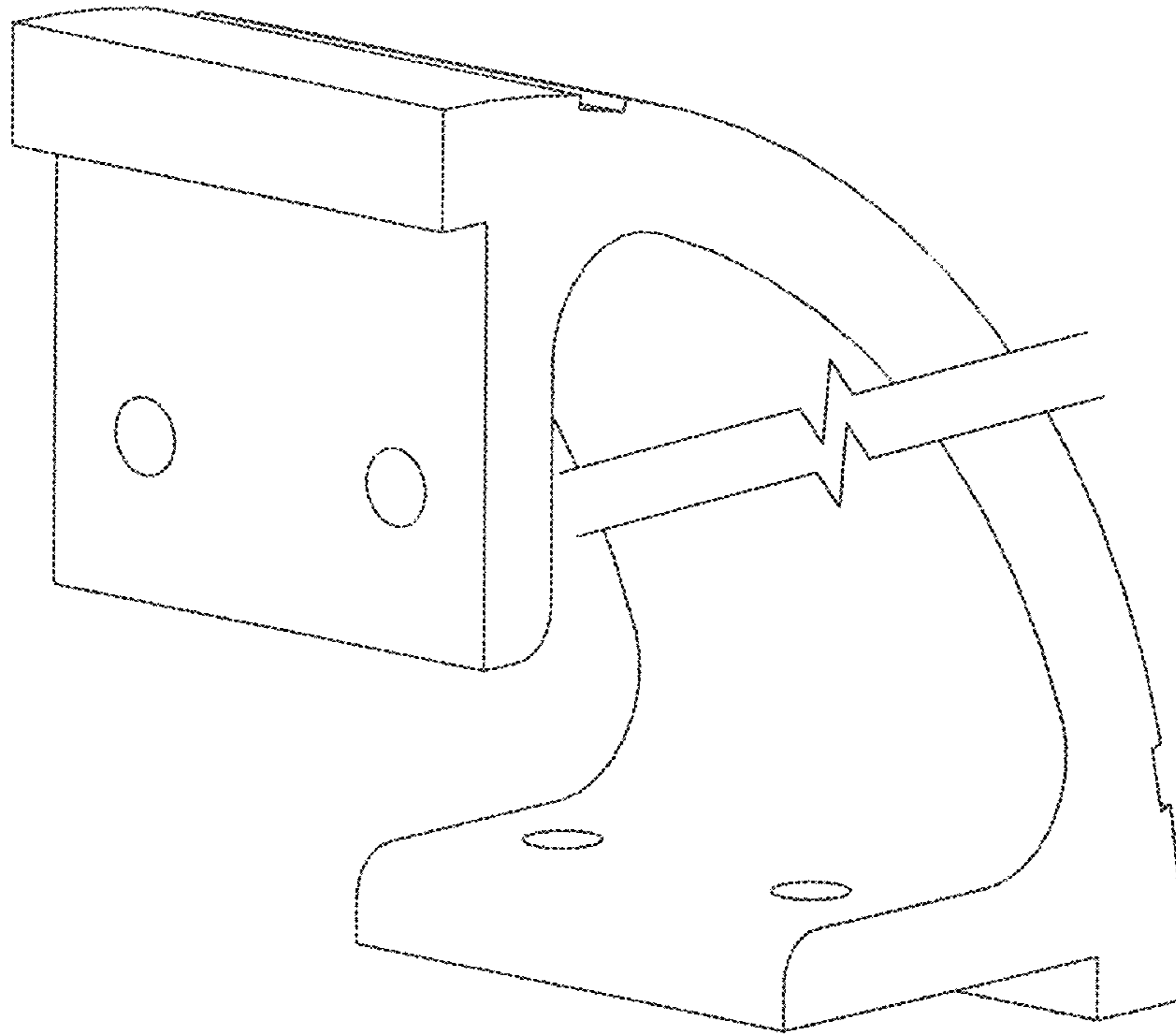


FIG. 13

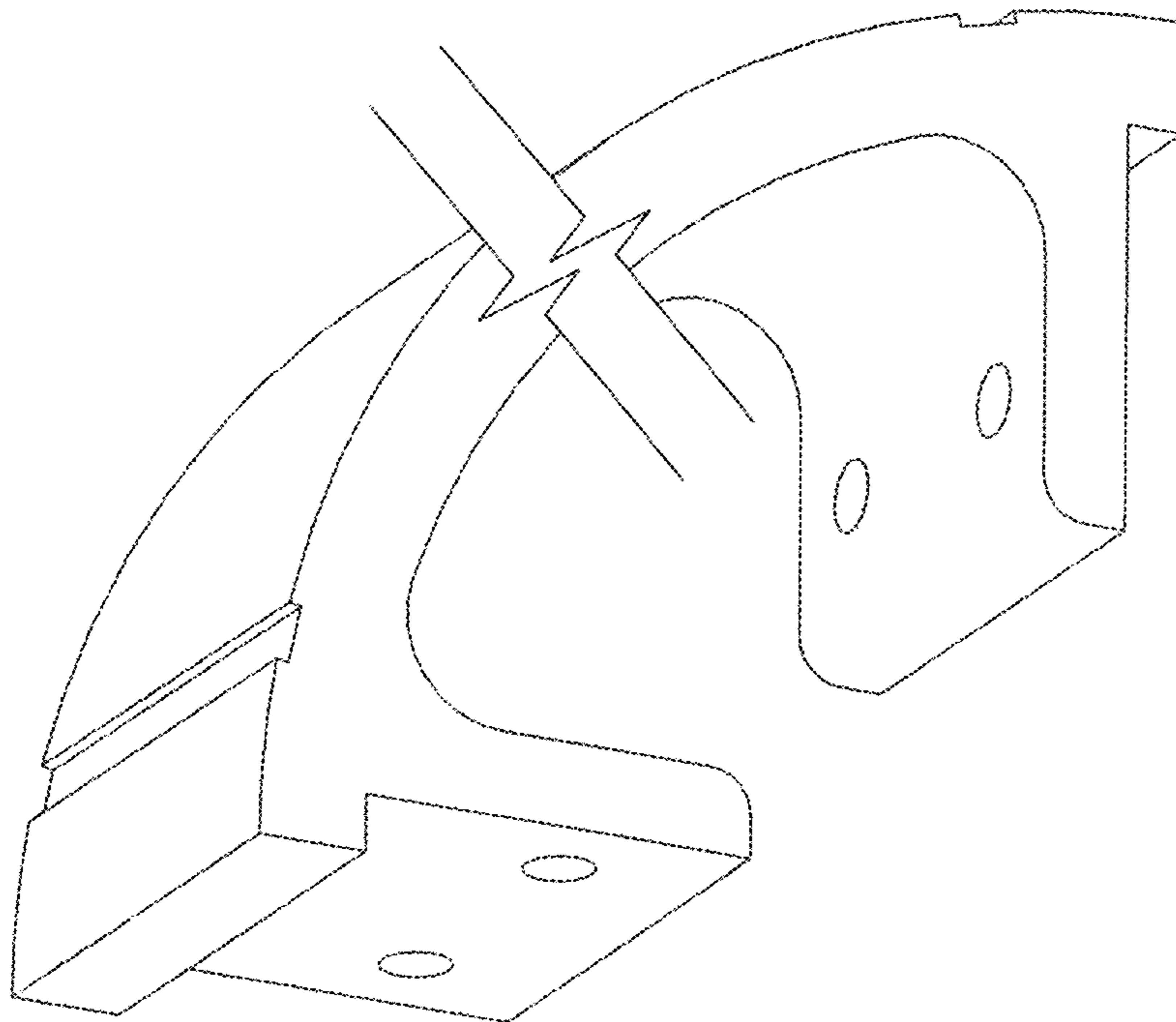


FIG. 14