



US00D934055S

(12) **United States Design Patent** (10) **Patent No.:** **US D934,055 S**  
**Sola** (45) **Date of Patent:** **\*\* Oct. 26, 2021**

- (54) **FACEPLATE**
- (71) Applicant: **Kohler Co.**, Kohler, WI (US)
- (72) Inventor: **Ferran Serra Sola**, Paris (FR)
- (73) Assignee: **KOHLER CO.**, Kohler, WI (US)
- (\*\*) Term: **15 Years**
- (21) Appl. No.: **29/758,990**
- (22) Filed: **Nov. 19, 2020**

- D540,651 S 4/2007 Wolf, V
- D583,205 S 12/2008 Waliszewski
- D628,044 S 11/2010 Schutte
- D628,045 S 11/2010 Schutte
- D628,046 S 11/2010 Schutte
- D644,895 S 9/2011 Erdfarb
- D675,083 S \* 1/2013 Clark ..... D8/353
- D682,656 S 5/2013 Cramer et al.
- D685,083 S 6/2013 Schneider et al.

(Continued)

*Primary Examiner* — Mark A Goodwin  
*Assistant Examiner* — Benjamin M Weeks  
(74) *Attorney, Agent, or Firm* — Foley & Lardner LLP

**Related U.S. Application Data**

- (62) Division of application No. 29/726,879, filed on Mar. 6, 2020, now Pat. No. Des. 905,536, which is a division of application No. 29/582,148, filed on Oct. 25, 2016, now Pat. No. Des. 880,276.

**Foreign Application Priority Data**

- (30) May 13, 2016 (EM) ..... 003127729

- (51) **LOC (13) Cl.** ..... **11-05**

- (52) **U.S. Cl.**  
USPC ..... **D8/353**

- (58) **Field of Classification Search**  
USPC ..... D8/353, 330, 331, 336, 338, 339, 340,  
D8/343, 350–352, 300, 301  
CPC ..... G05B 19/00; G05B 15/00; E05B 49/00;  
E05B 49/02; E05B 9/00; E05B 17/00;  
E05B 37/00; E05B 3/00; E05B 13/103;  
E05B 1/00; E05B 47/00  
See application file for complete search history.

**References Cited**

**U.S. PATENT DOCUMENTS**

- 6,803,522 B2 10/2004 Skakun
- D510,256 S 10/2005 Genelle
- 7,071,413 B1 7/2006 Paape

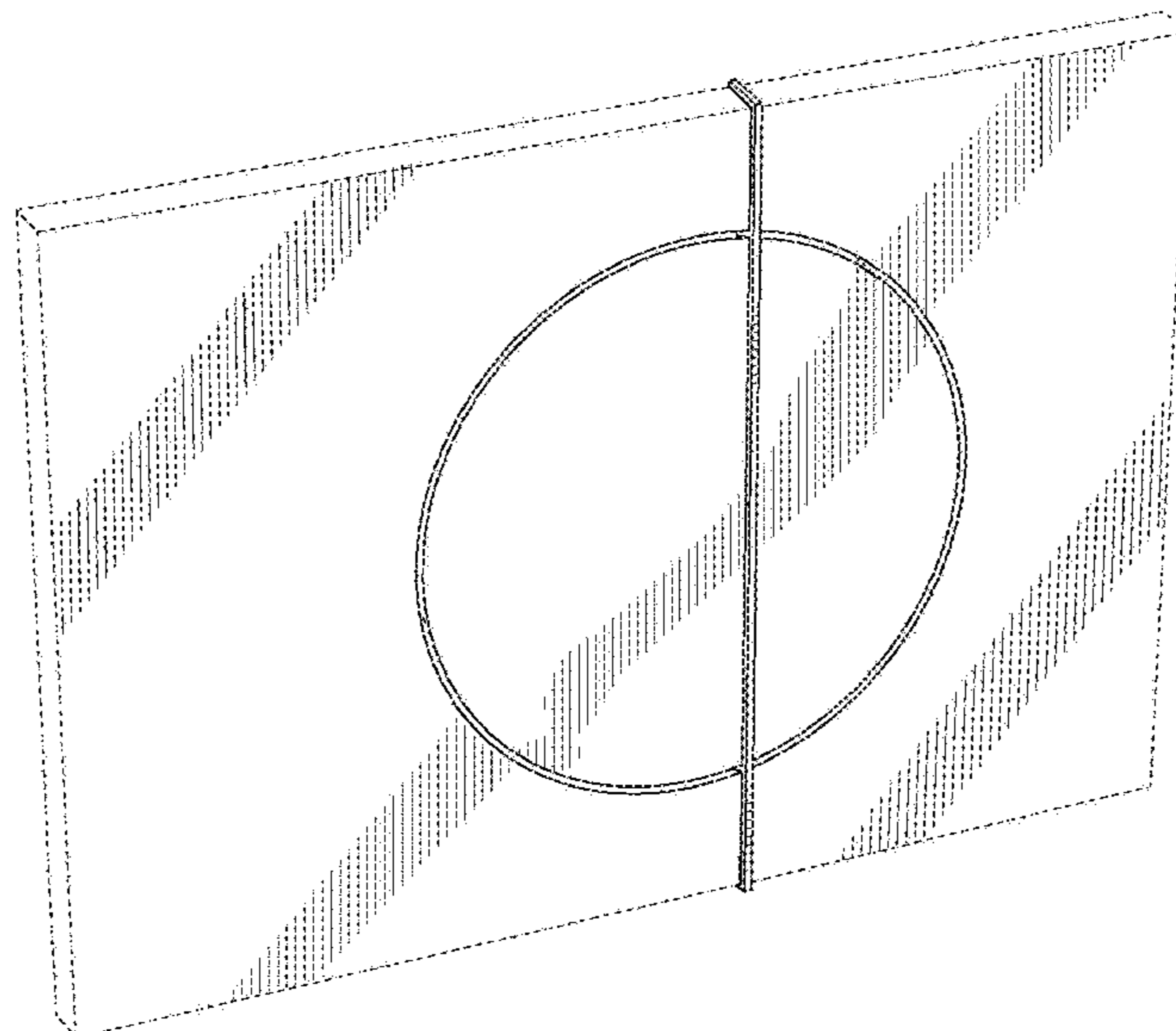
(57) **CLAIM**

I claim the ornamental design for a faceplate, as shown and described.

**DESCRIPTION**

FIG. 1 is a top, front, left perspective view of a faceplate showing my new design;  
 FIG. 2 is a front elevation view thereof;  
 FIG. 3 is a top plan view thereof, the bottom plan view thereof being a mirror image of the top plan view shown;  
 FIG. 4 is a right side elevation view thereof, the left side elevation view thereof being a mirror image of the right side elevation view shown; and,  
 FIG. 5 is a top, front, right perspective view thereof, showing a portion of the faceplate being depressed.  
 The ornamental design which is claimed is shown in solid lines in the drawings. The broken lines in the drawings are for illustrative purposes only and form no part of the claimed design. Broken lines formed by equal length dashes in the drawings illustrate unclaimed portions of the design. Broken lines formed of unequal length dashes (i.e., dash-dot) show boundaries between claimed and unclaimed portions of the design. Portions shown in stipple shading as opposed to line shading show contrasting surfaces unlimited by color, texture, or surface finish.

**1 Claim, 4 Drawing Sheets**



(56)

**References Cited**

U.S. PATENT DOCUMENTS

D705,039	S	5/2014	Dillard	
D737,661	S	9/2015	Chan	
D756,196	S	5/2016	Huang	
D756,748	S *	5/2016	Lu .....	D8/353
D760,173	S	6/2016	Baker	
D772,691	S	11/2016	Han	
D803,027	S	11/2017	Huang et al.	
D823,430	S	7/2018	York	
D833,850	S	11/2018	Lin	
D885,865	S	6/2020	Laurans et al.	
D887,249	S	6/2020	Laurans et al.	
D887,816	S	6/2020	Marsden	
D888,357	S	6/2020	Bond	
D888,537	S	6/2020	Laurans et al.	
D889,932	S	7/2020	Zeng	
D895,764	S	9/2020	York	
D896,059	S	9/2020	Sweeney et al.	
2006/0153733	A1 *	7/2006	Sassoon .....	E05B 1/0069 422/28
2006/0175843	A1 *	8/2006	Campopiano .....	E05B 1/0069 292/336.3

\* cited by examiner

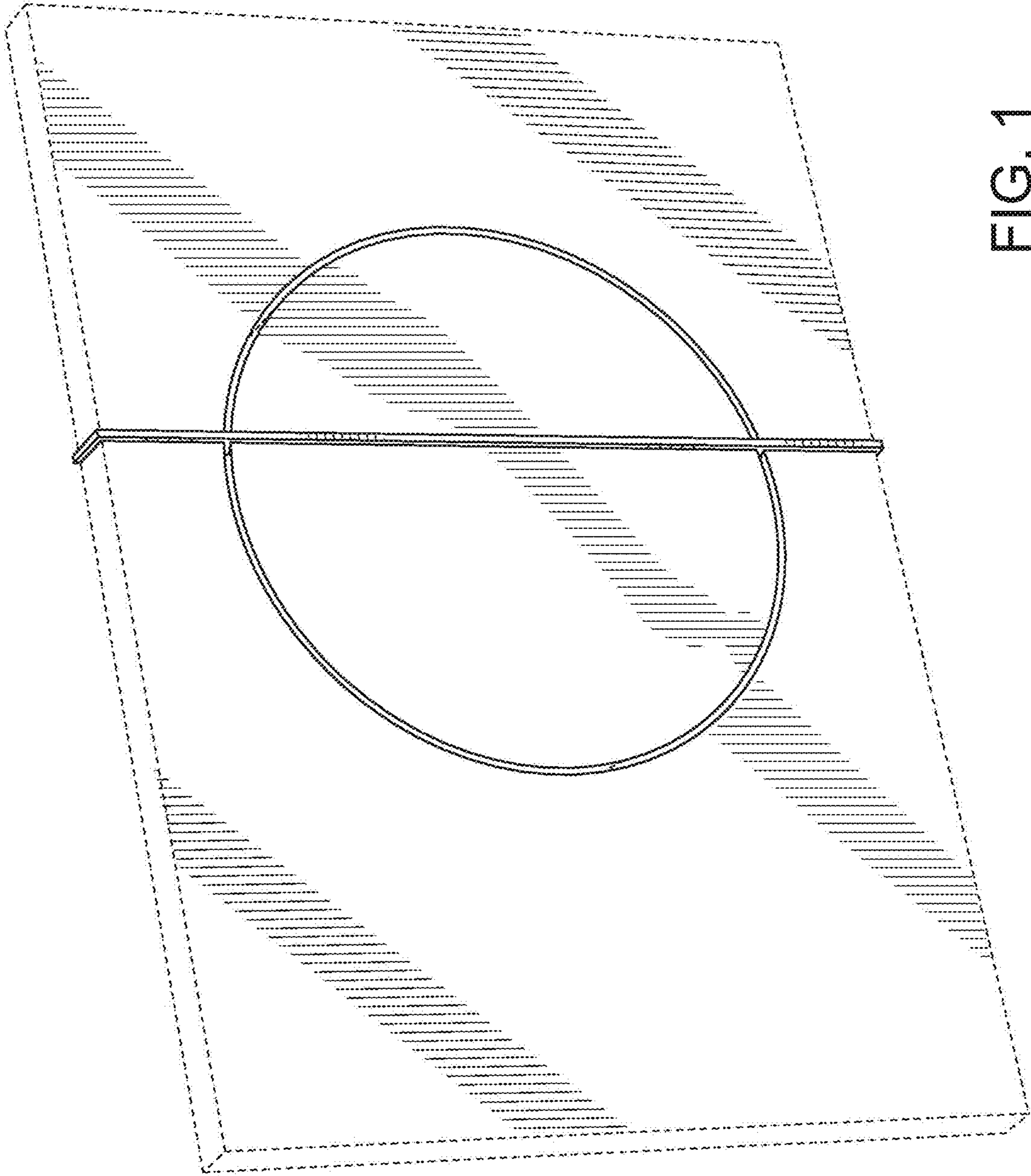


FIG. 1

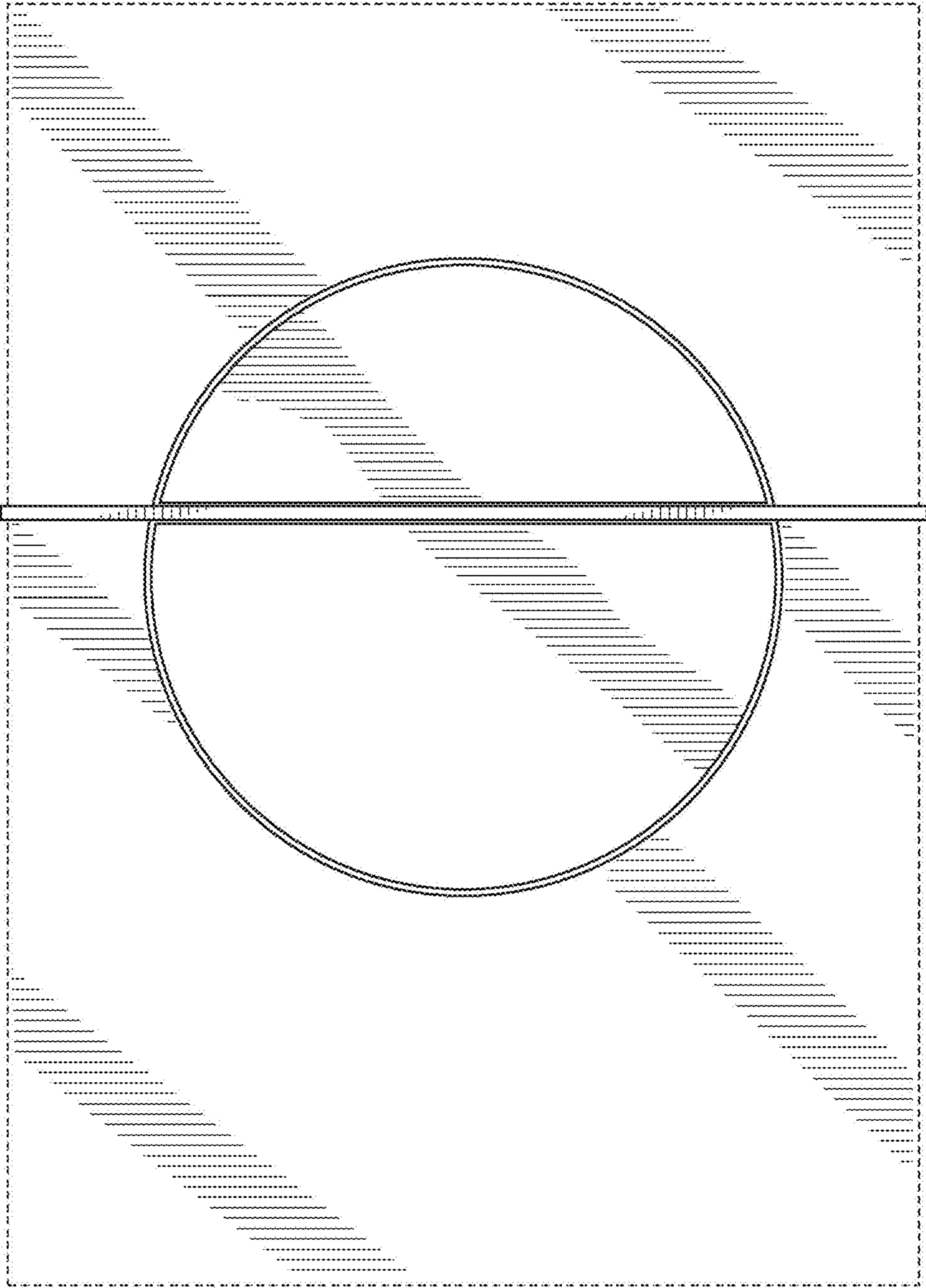


FIG. 2



FIG. 4

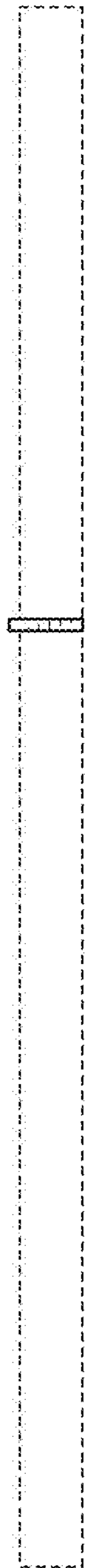


FIG. 3

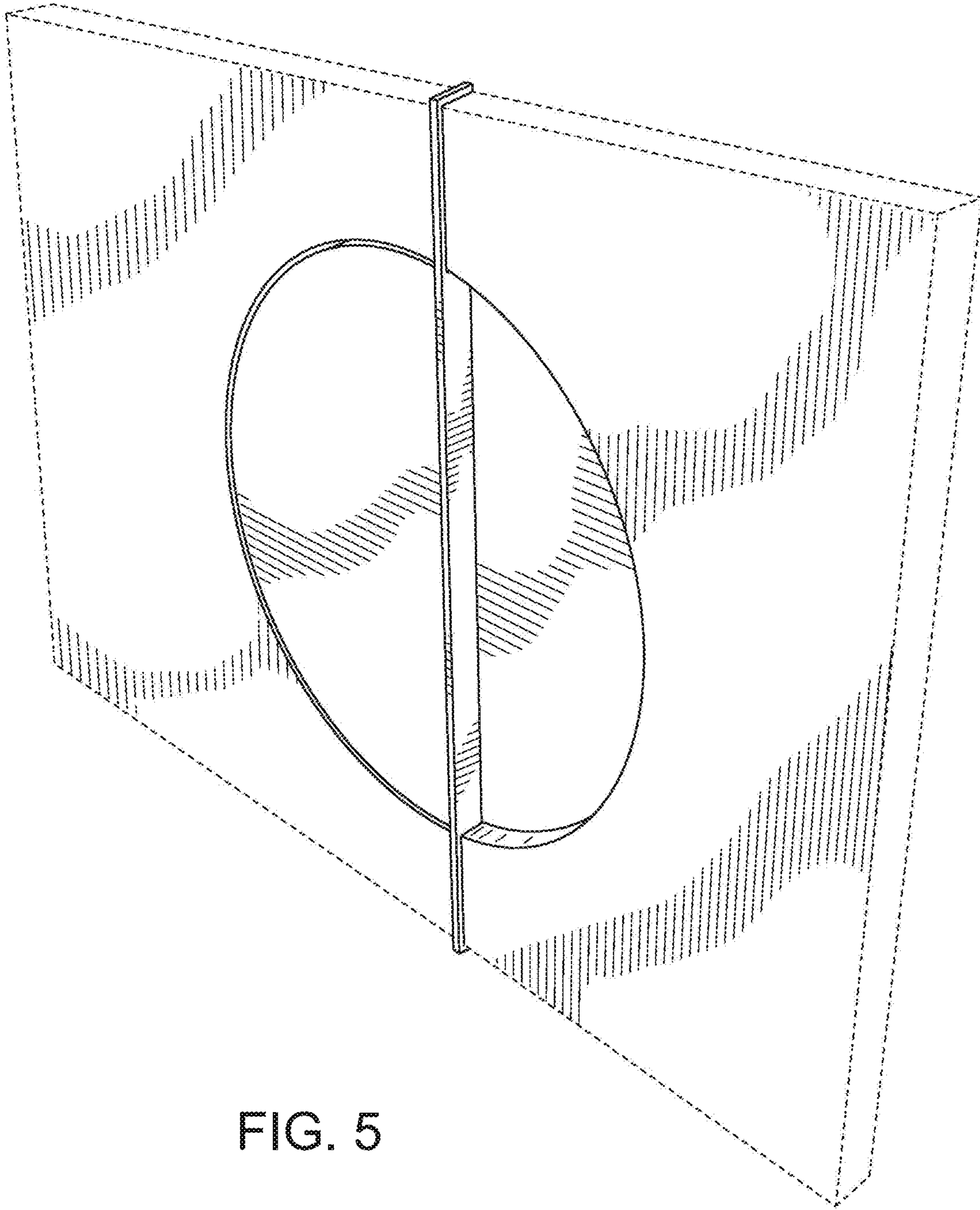


FIG. 5