



US00D934053S

(12) **United States Design Patent** (10) **Patent No.:** **US D934,053 S**  
**Marsden** (45) **Date of Patent:** **\*\* Oct. 26, 2021**

(54) **GATE LATCH** 8,136,302 B2 \* 3/2012 Trujillo ..... E06B 3/46  
49/463  
(71) Applicant: **Elbee Pty Ltd.**, Bondi Junction (AU) D712,233 S \* 9/2014 Pittman ..... D8/331  
D721,568 S \* 1/2015 Cantwell ..... D8/331  
(72) Inventor: **Andrew Marsden**, Hingham, MA (US) 9,822,585 B2 \* 11/2017 Flannery ..... E06B 9/02  
10,619,408 B2 \* 4/2020 Sander ..... E06B 9/02  
(73) Assignee: **Elbee Pty Ltd.**, Bondi Junction (AU) 10,655,365 B2 \* 5/2020 Benson ..... E05C 3/14  
10,745,941 B2 \* 8/2020 Fang ..... E05B 63/143  
2009/0013606 A1 1/2009 Yates  
2014/0007506 A1 1/2014 Huang

(\*\*) Term: **15 Years**

(21) Appl. No.: **29/722,641**

(22) Filed: **Jan. 31, 2020**

(51) **LOC (13) Cl.** ..... **08-07**

(52) **U.S. Cl.**  
USPC ..... **D8/331**

(58) **Field of Classification Search**  
USPC ..... D8/331  
CPC ..... E05B 65/0007; E05B 65/06; E06B 9/04;  
E06B 3/36; E06B 2009/002; E06B 11/02;  
E06B 11/022; E06B 3/32; E05Y  
2001/224; E05Y 2201/20; E04H 17/14  
See application file for complete search history.

(56) **References Cited**

**U.S. PATENT DOCUMENTS**

D394,796 S \* 6/1998 Alford ..... D8/331  
7,065,922 B1 \* 6/2006 De Kruijf ..... E05B 65/0014  
292/212  
D528,899 S \* 9/2006 Bell ..... D8/331  
7,926,539 B1 \* 4/2011 Hurst ..... E05B 51/023  
160/104

\* cited by examiner

*Primary Examiner* — Doris Clark

(74) *Attorney, Agent, or Firm* — Wolf, Greenfield & Sacks, P.C.

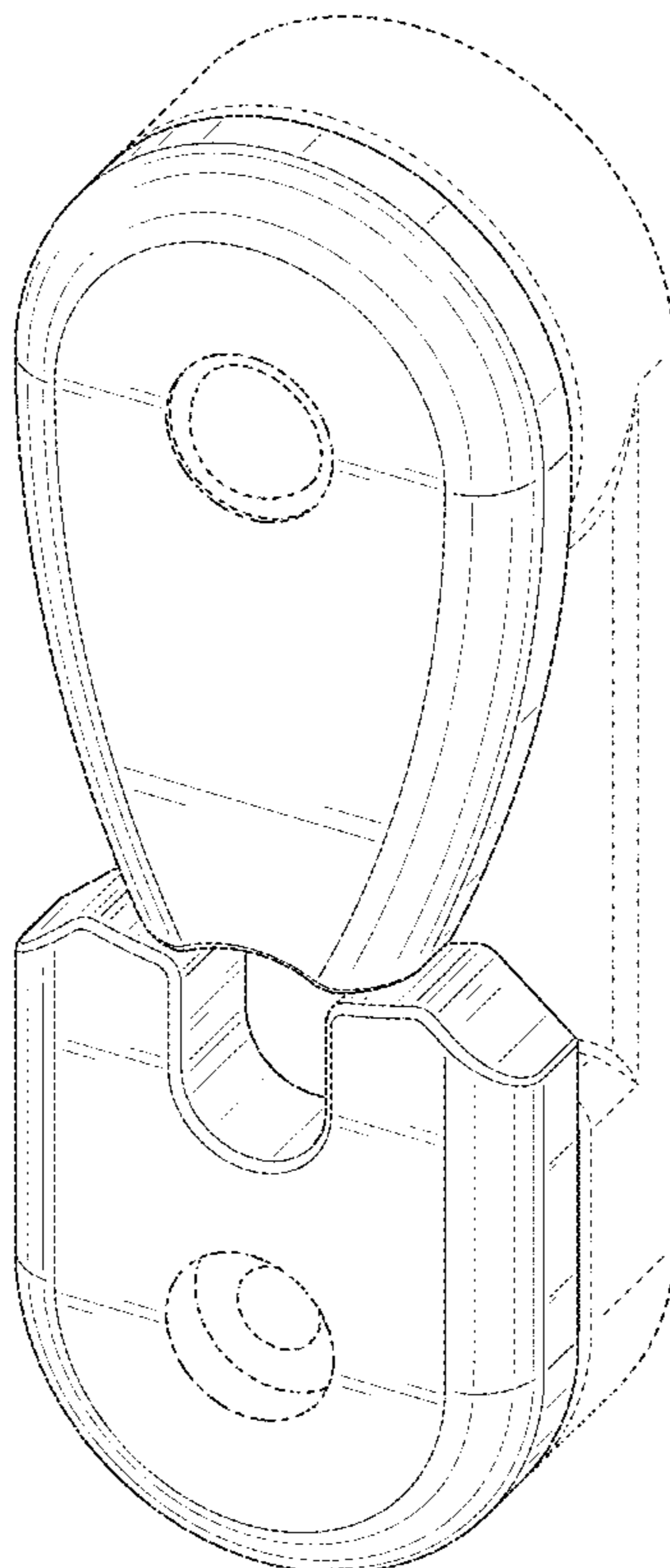
(57) **CLAIM**

The ornamental design for a gate latch, as shown and described.

**DESCRIPTION**

FIG. 1 is a top, front, and right side perspective view of a gate latch according to my new design; FIG. 2 is a front elevation view thereof; FIG. 3 is a rear elevation view thereof; FIG. 4 is a left side elevation view thereof; FIG. 5 is a right side elevation view thereof; FIG. 6 is a top plan view thereof; and, FIG. 7 is a bottom plan view thereof. The broken lines depict portions of the gate latch that form no part of the claimed design.

**1 Claim, 5 Drawing Sheets**



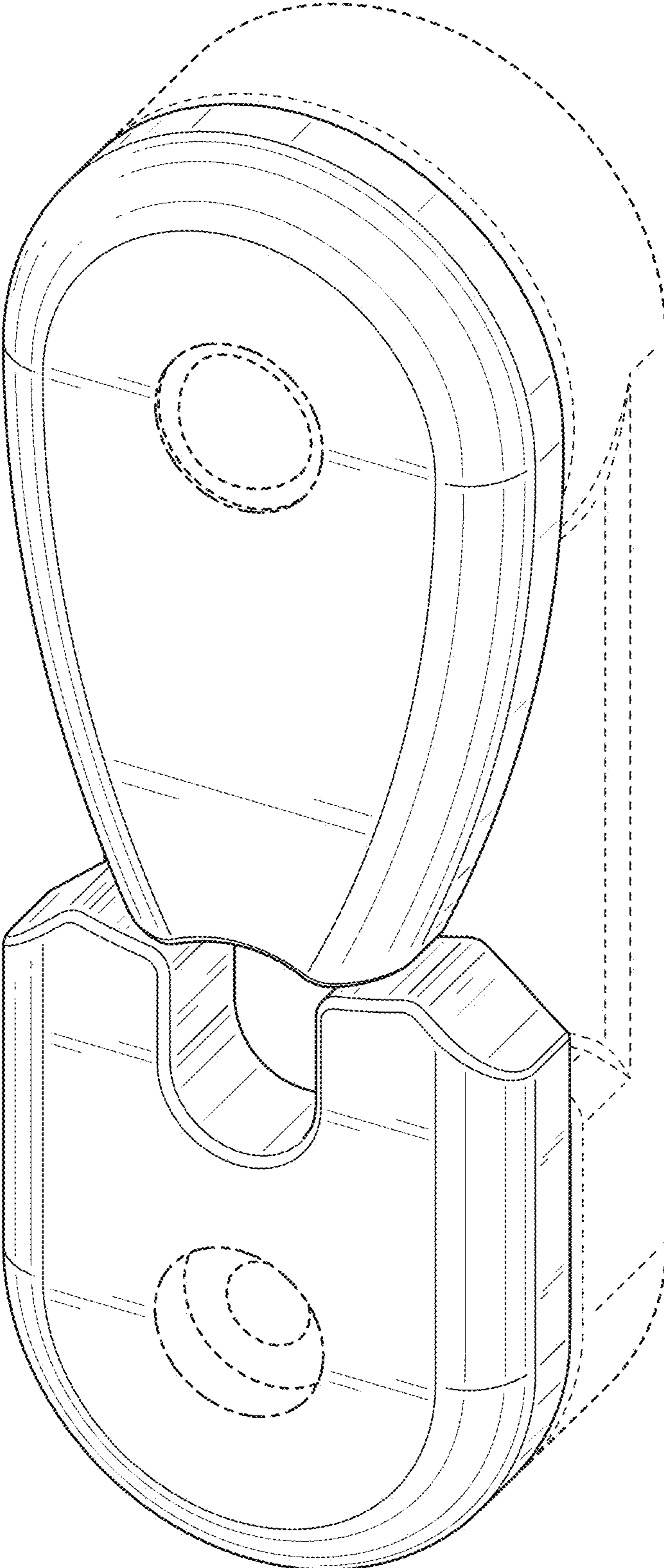


FIG. 1

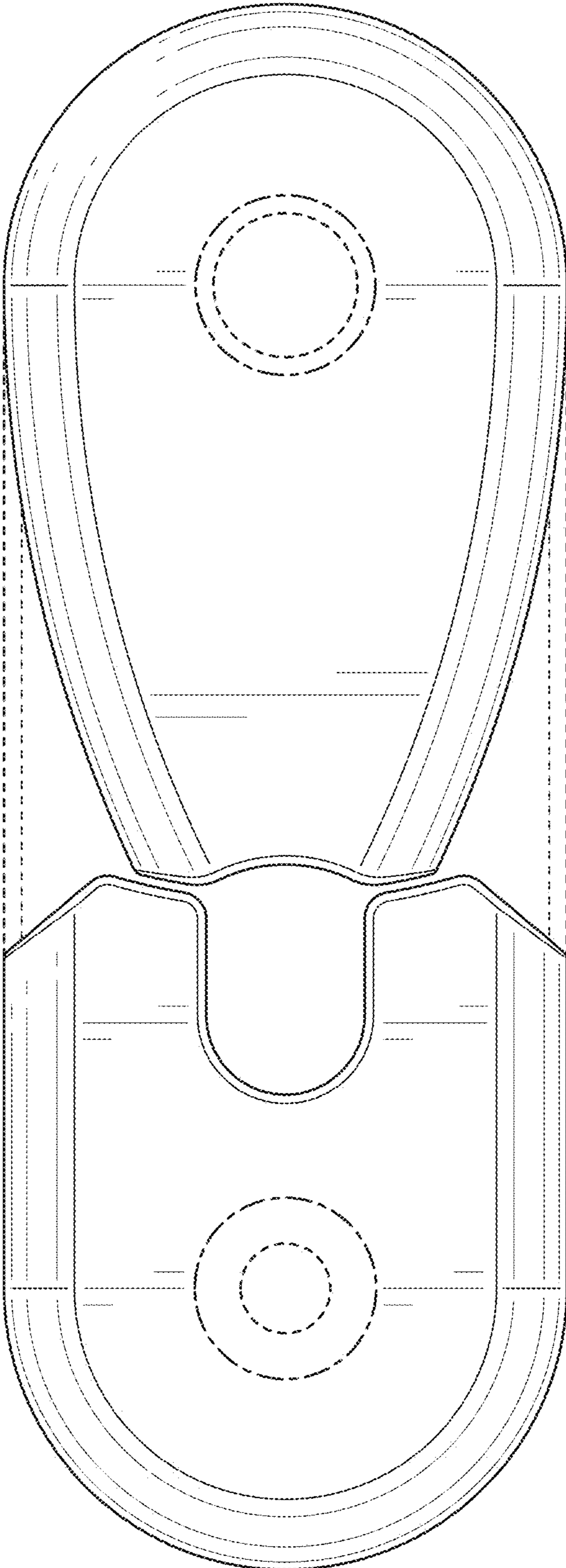


FIG. 2

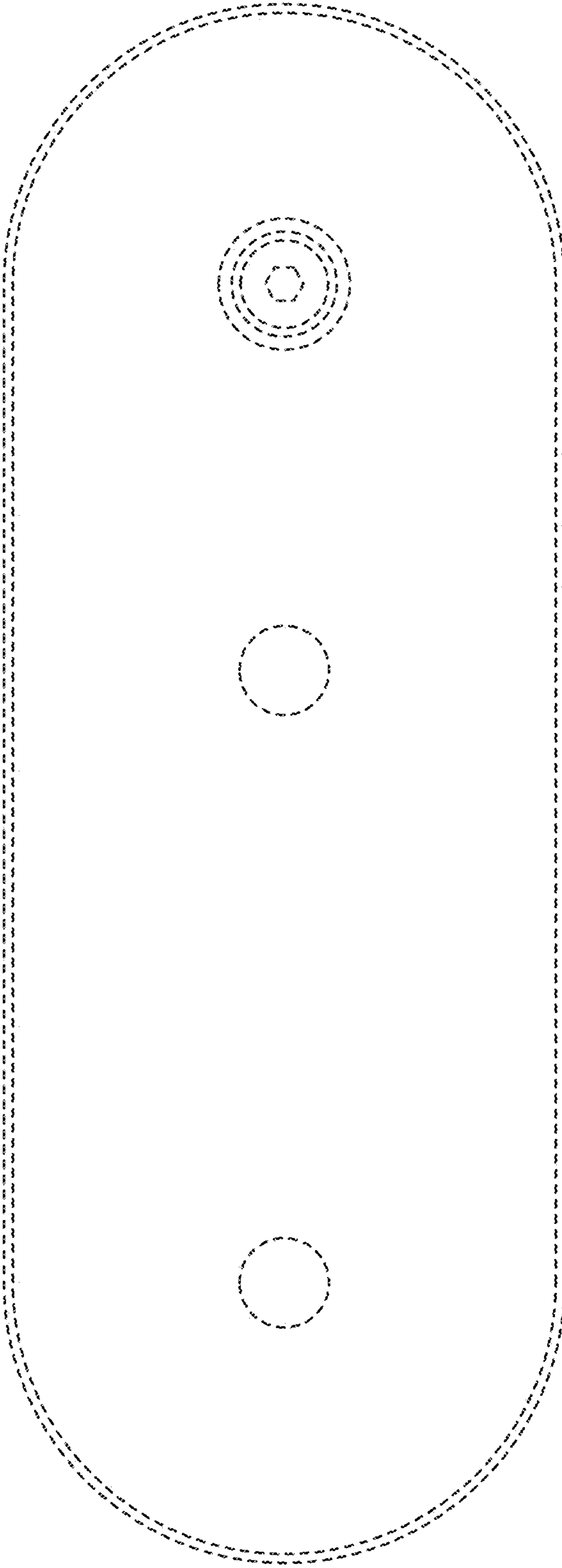


FIG. 3

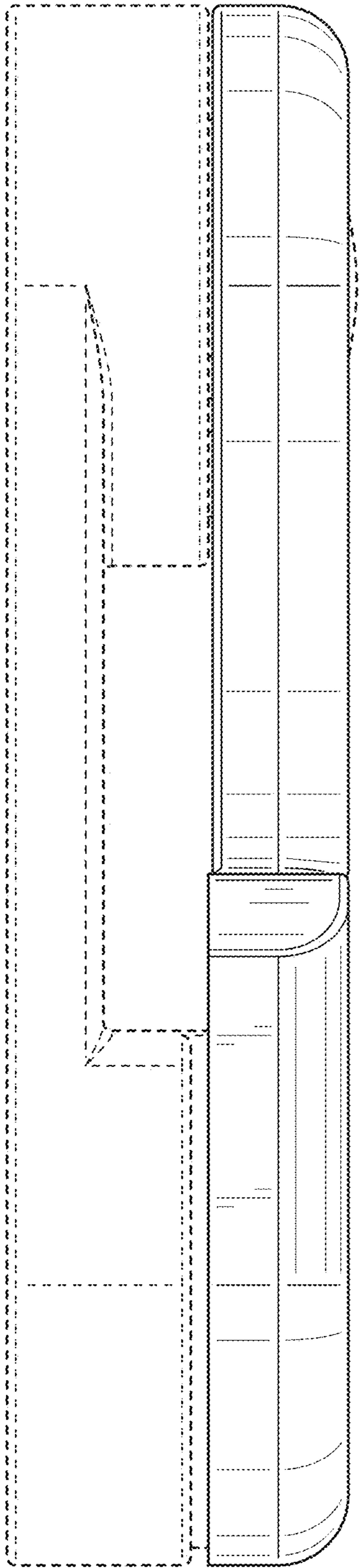


FIG. 4

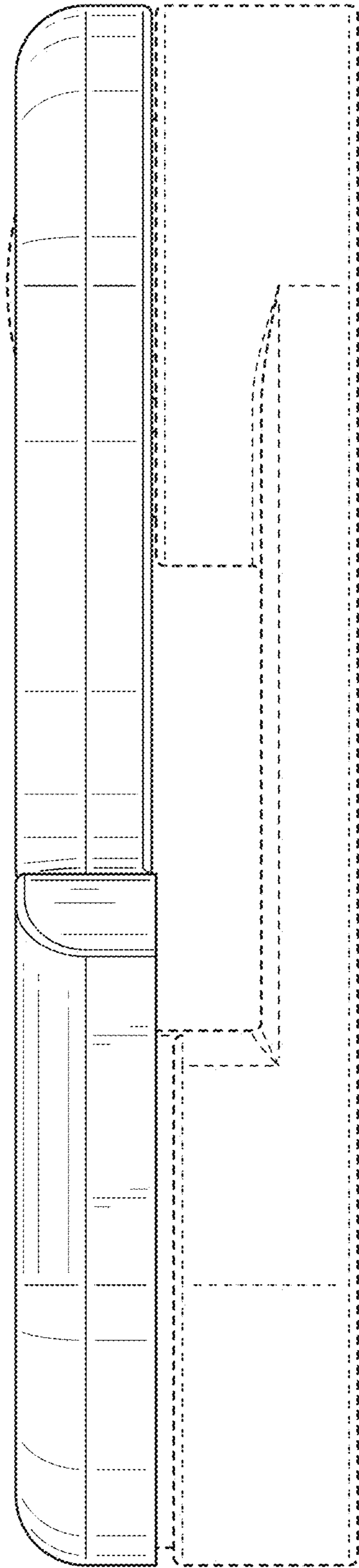


FIG. 5

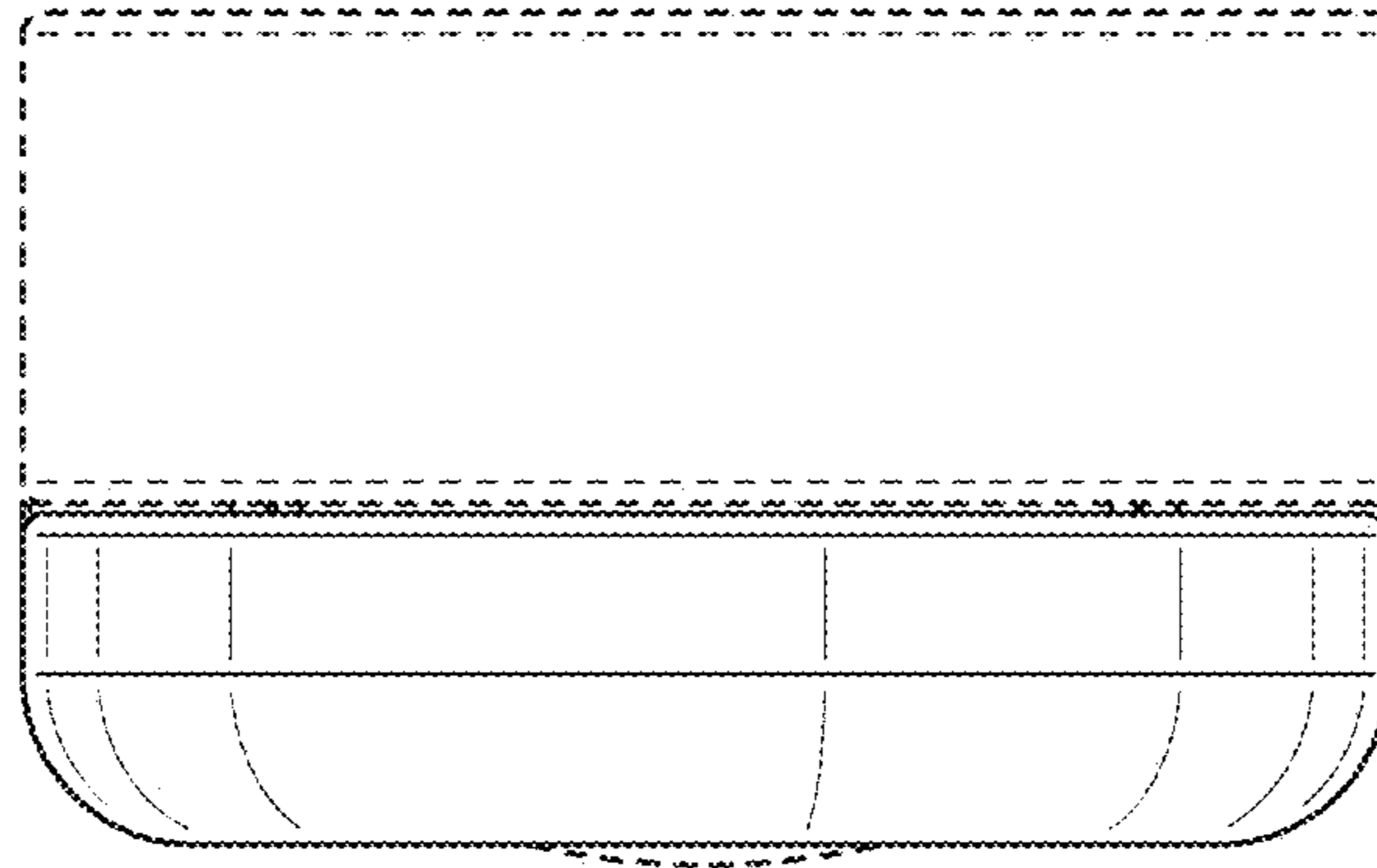


FIG. 6

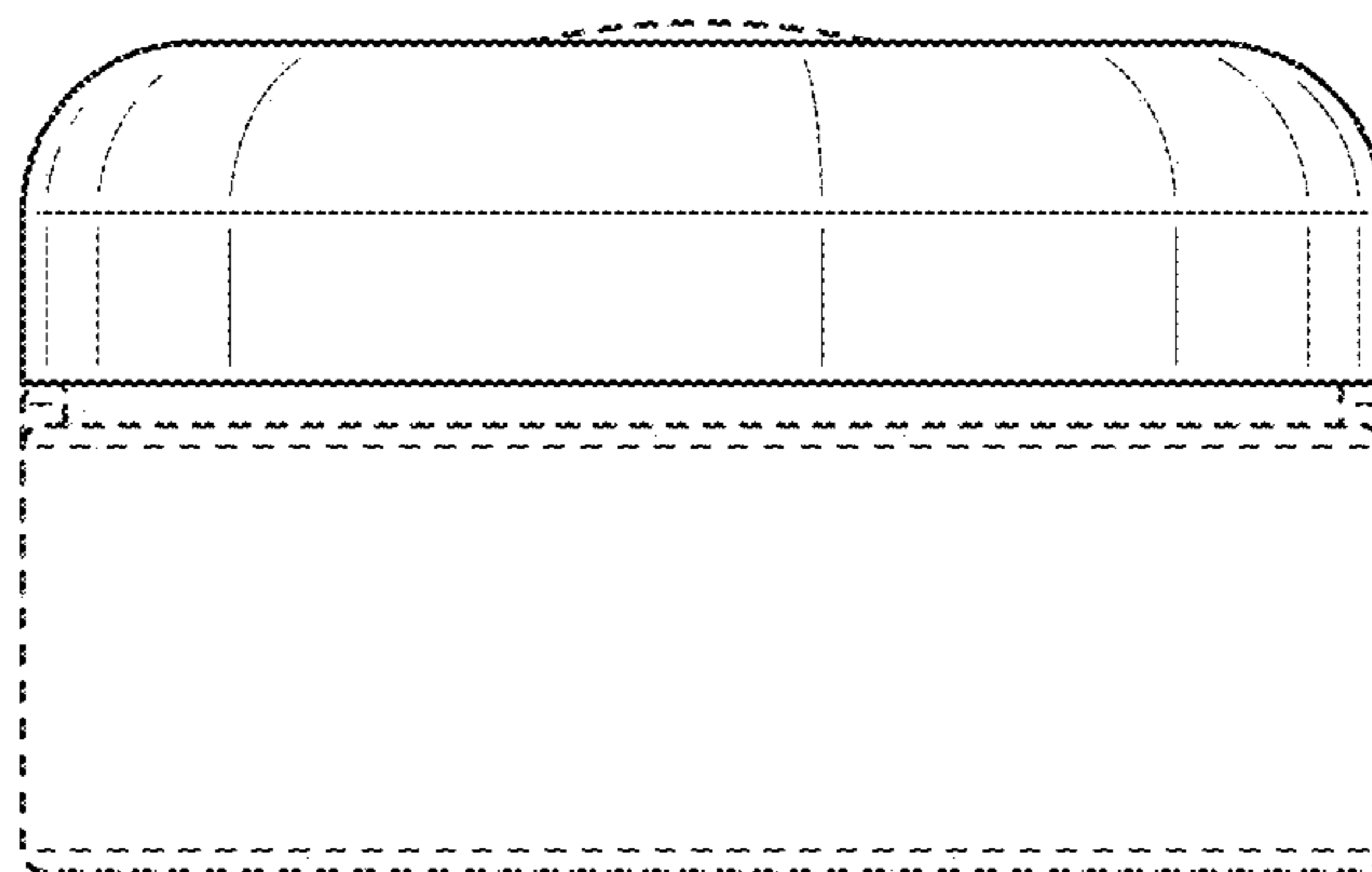


FIG. 7