



US00D934042S

(12) **United States Design Patent**  
**Paunovic et al.**

(10) **Patent No.:** **US D934,042 S**  
(45) **Date of Patent:** **\*\* Oct. 26, 2021**

(54) **CAULKING GUN**

(71) Applicant: **Würth International AG**, Chur (CH)

(72) Inventors: **Dejan Paunovic**, Künzelsau (DE);  
**Dominik Bitsch**, Künzelsau (DE)

(\*\*) Term: **15 Years**

(21) Appl. No.: **35/509,767**

(22) Filed: **Apr. 7, 2020**

(80) **Hague Agreement Data**

Int. Filing Date: **Apr. 7, 2020**  
Int. Reg. No.: **DM/208982**  
Int. Reg. Date: **Apr. 7, 2020**  
Int. Reg. Pub. Date: **Jul. 10, 2020**

(30) **Foreign Application Priority Data**

Oct. 9, 2019 (EM) ..... 007002134

(51) **LOC (13) Cl.** ..... **08-05**

(52) **U.S. Cl.**  
USPC ..... **D8/14.1; D8/68**

(58) **Field of Classification Search**  
USPC ..... D8/14.1, 68  
CPC ..... B05C 17/0103  
See application file for complete search history.

(56) **References Cited**

U.S. PATENT DOCUMENTS

D545,152 S \* 6/2007 Lopano ..... D8/14.1  
D548,551 S \* 8/2007 Lopano ..... D8/14.1  
D635,835 S \* 4/2011 Post ..... D8/14.1  
D762,431 S \* 8/2016 Lee ..... B05C 17/0116  
D8/14.1  
2020/0316639 A1\* 10/2020 Ren ..... B05C 17/0103  
2021/0094062 A1\* 4/2021 Yang ..... B05C 17/0103

\* cited by examiner

*Primary Examiner* — Deanna L Pratt

(57) **CLAIM**

The ornamental design for a caulking gun, as shown and described.

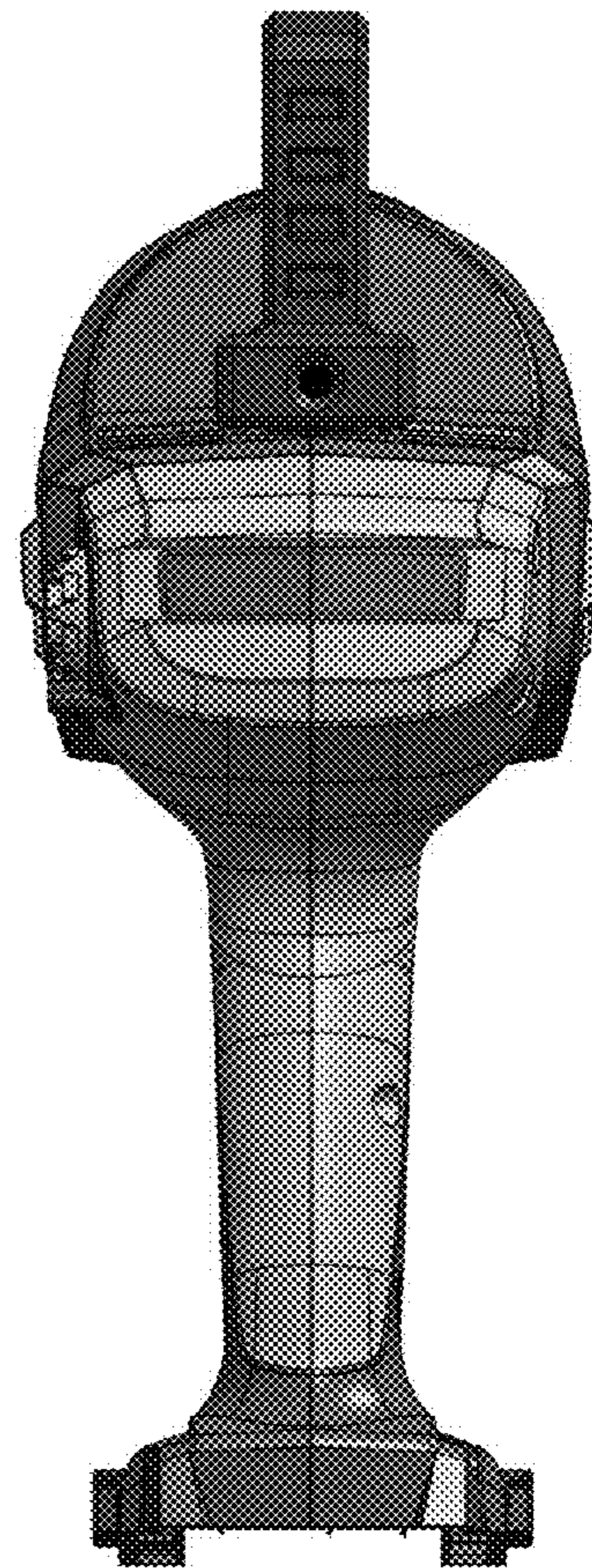
**DESCRIPTION**

1.1 is a rear view;  
1.2 is a front view;  
1.3 is a top view;  
1.4 is a right side view;  
1.5 is a bottom view;  
1.6 is a left side view; and  
1.7 is a front and right side perspective view.

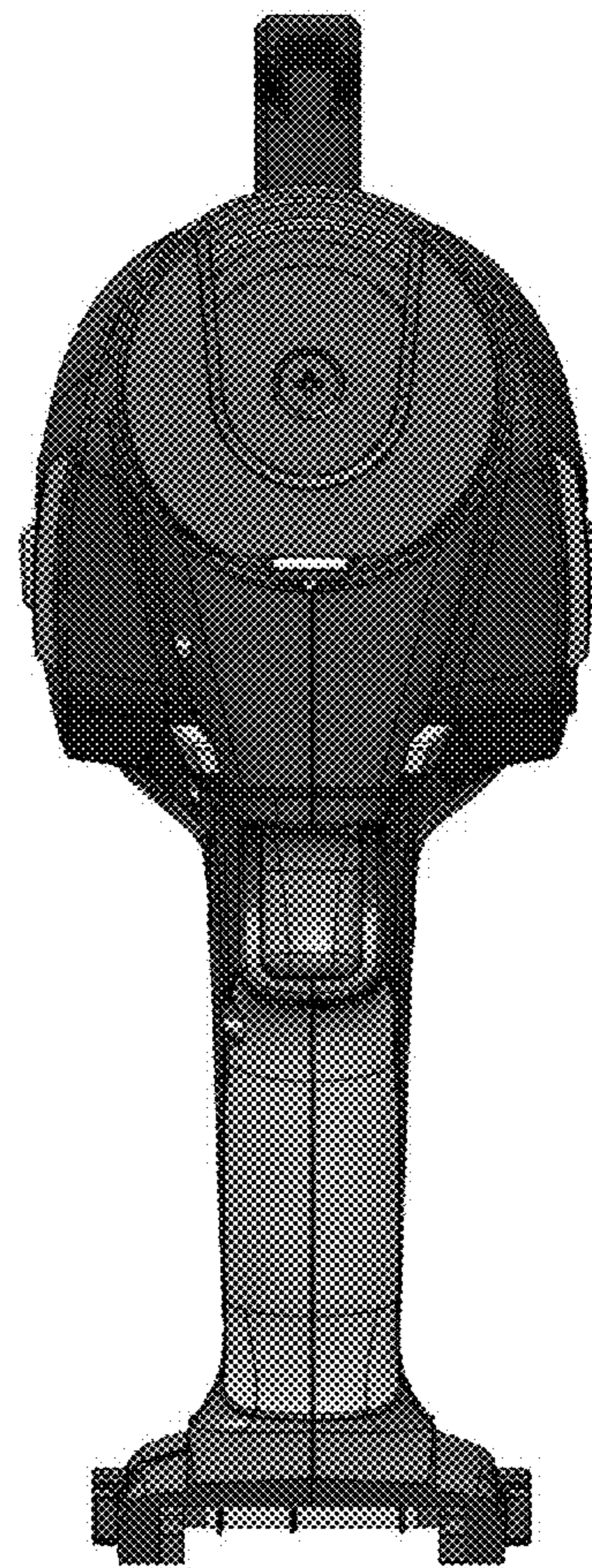
**1 Claim, 7 Drawing Sheets**



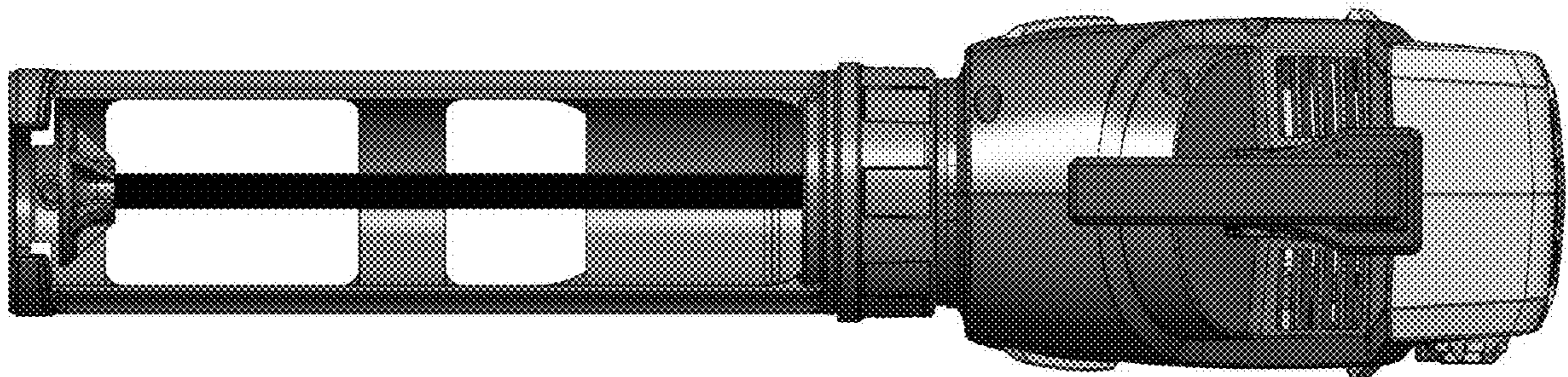
1.1



1.2



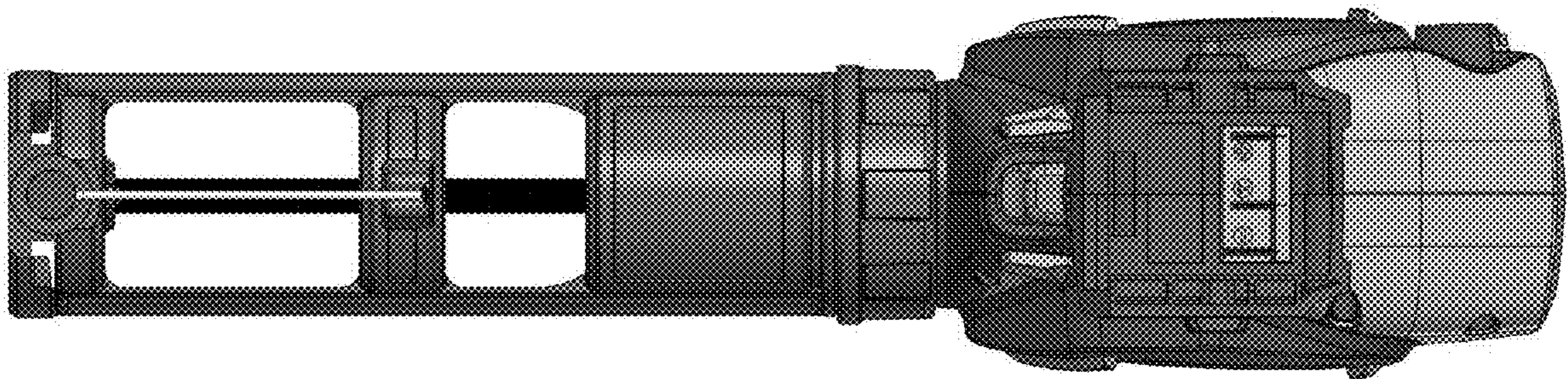
1.3



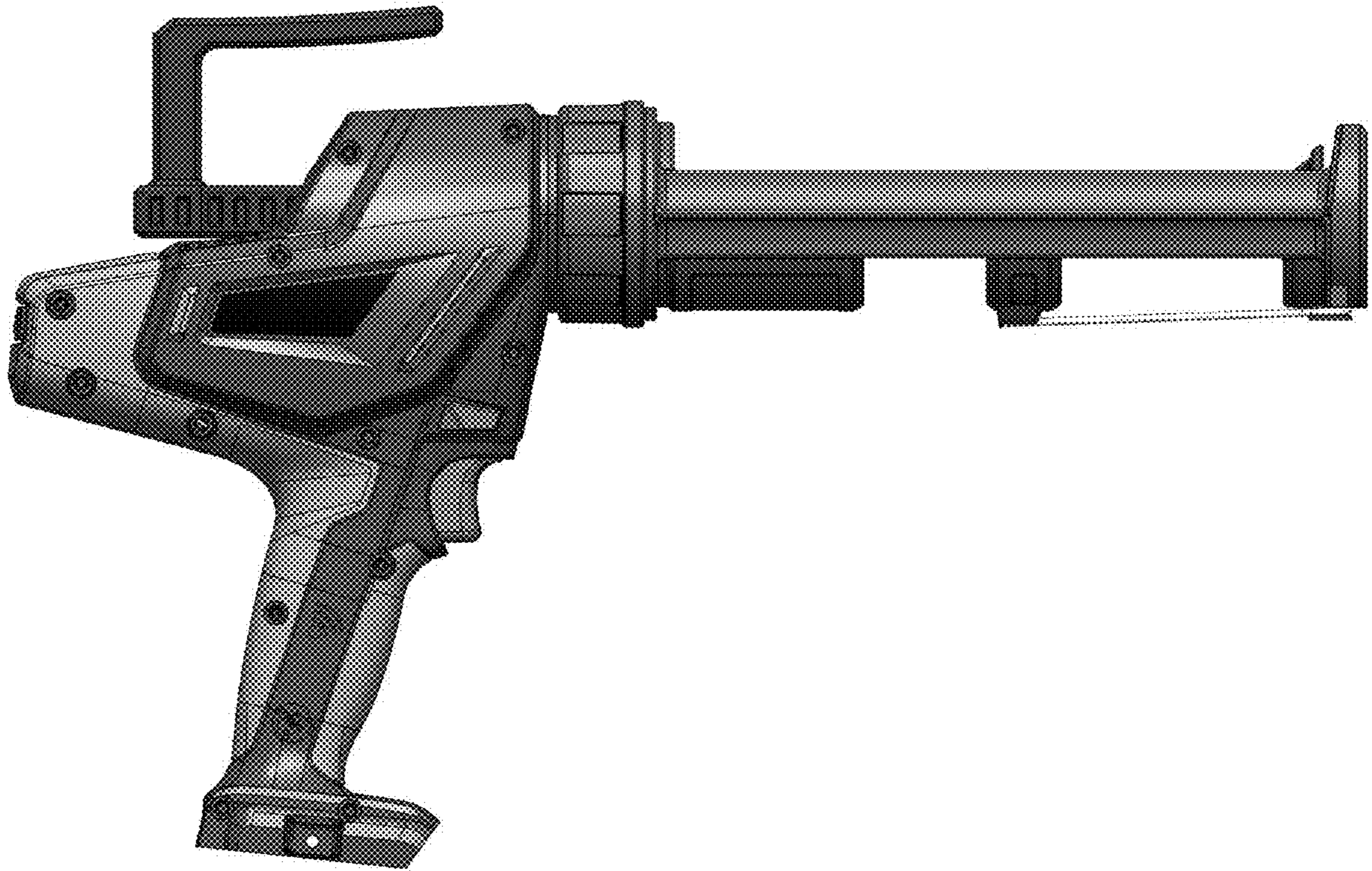
1.4



1.5



1.6



1.7

