



US00D934041S

(12) **United States Design Patent**  
**Odintsov**

(10) **Patent No.:** **US D934,041 S**

(45) **Date of Patent:** **\*\* Oct. 26, 2021**

(54) **WOOD SPLITTER**

(71) Applicant: **Dmytro Odintsov**, Rovenki (UA)

(72) Inventor: **Dmytro Odintsov**, Rovenki (UA)

(\*\*) Term: **15 Years**

(21) Appl. No.: **29/721,733**

(22) Filed: **Jan. 23, 2020**

(51) **LOC (13) Cl.** ..... **08-03**

(52) **U.S. Cl.**

USPC ..... **D8/7**

(58) **Field of Classification Search**

USPC ..... D8/7, 76, 1, 47, 51; D15/127, 139, 28,

D15/128, 138; D12/101, 196; D14/432

CPC .... B27L 7/06; B27L 7/00; B27L 7/005; B27L

7/08; B26D 1/02; B26D 7/22; B27G

21/00

See application file for complete search history.

(56) **References Cited**

**U.S. PATENT DOCUMENTS**

4,211,264 A \* 7/1980 Cross ..... B27L 7/00

144/193.1

4,378,037 A \* 3/1983 Conn ..... B27L 7/06

144/193.1

D274,253 S \* 6/1984 Harris ..... D15/127

4,535,980 A \* 8/1985 Jordan ..... B27L 7/08

144/195.6

5,547,001 A \* 8/1996 Cumming ..... B27L 7/005  
125/23.01

D552,133 S 10/2007 Babcock et al.

D681,701 S 5/2013 Banjo

D747,752 S 1/2016 Seigler

D817,123 S \* 5/2018 Johnsen ..... D8/7

D845,725 S \* 4/2019 Baron ..... D8/7

D881,662 S \* 4/2020 Hutchinson ..... D8/1

10,792,835 B2 \* 10/2020 Kilpela ..... B27L 7/005

D901,997 S \* 11/2020 Baron ..... D8/7

D904,837 S \* 12/2020 Chaklos ..... D8/7

10,906,202 B2 \* 2/2021 Hutchinson ..... B27L 7/06

D924,646 S \* 7/2021 Fu ..... D8/7

\* cited by examiner

*Primary Examiner* — Nathaniel D. Buckner

(57) **CLAIM**

The ornamental design for a wood splitter, as shown and described.

**DESCRIPTION**

FIG. 1 is an isometric view of a wood splitter according to my new design;

FIG. 2 is a front view thereof;

FIG. 3 is a rear view thereof;

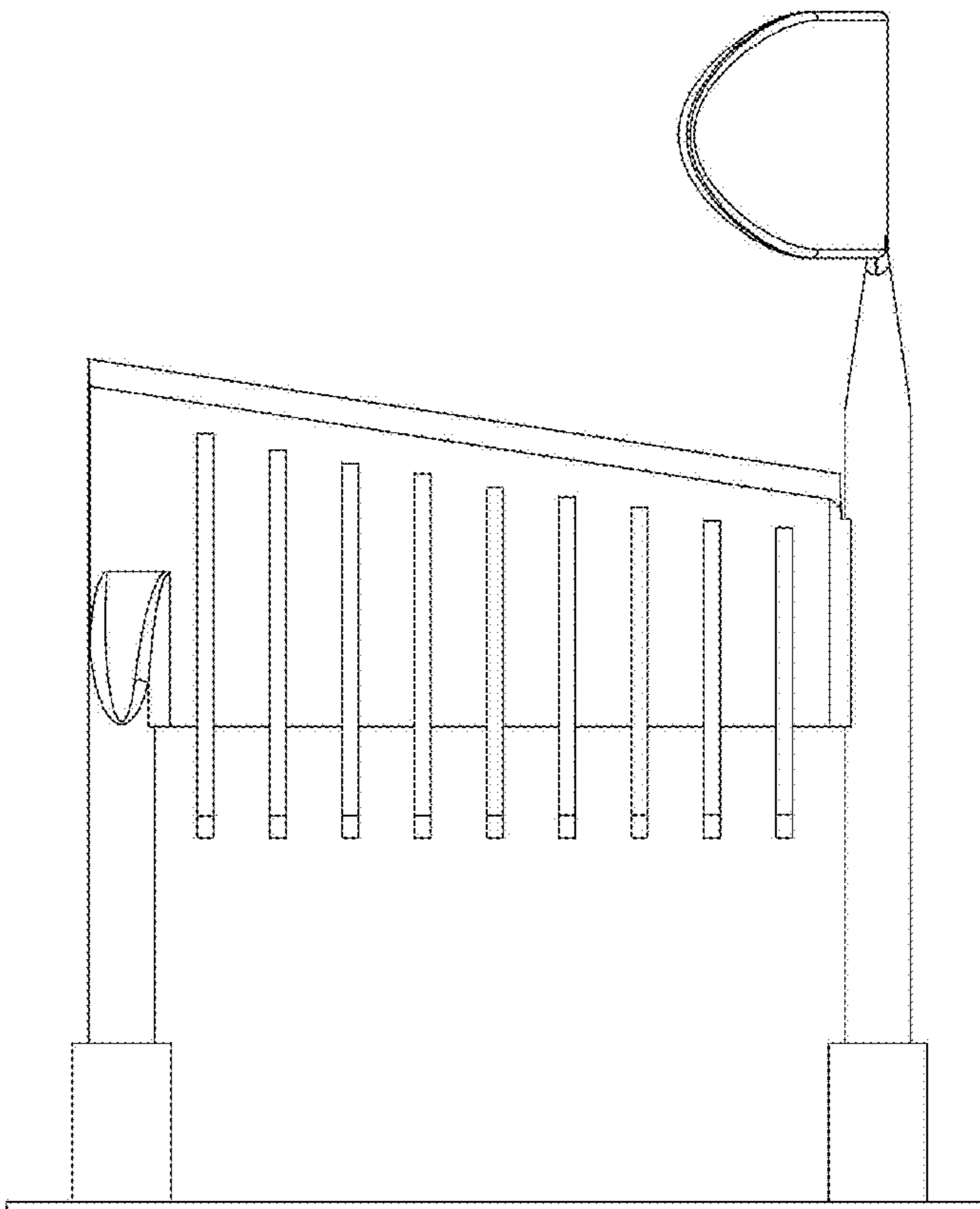
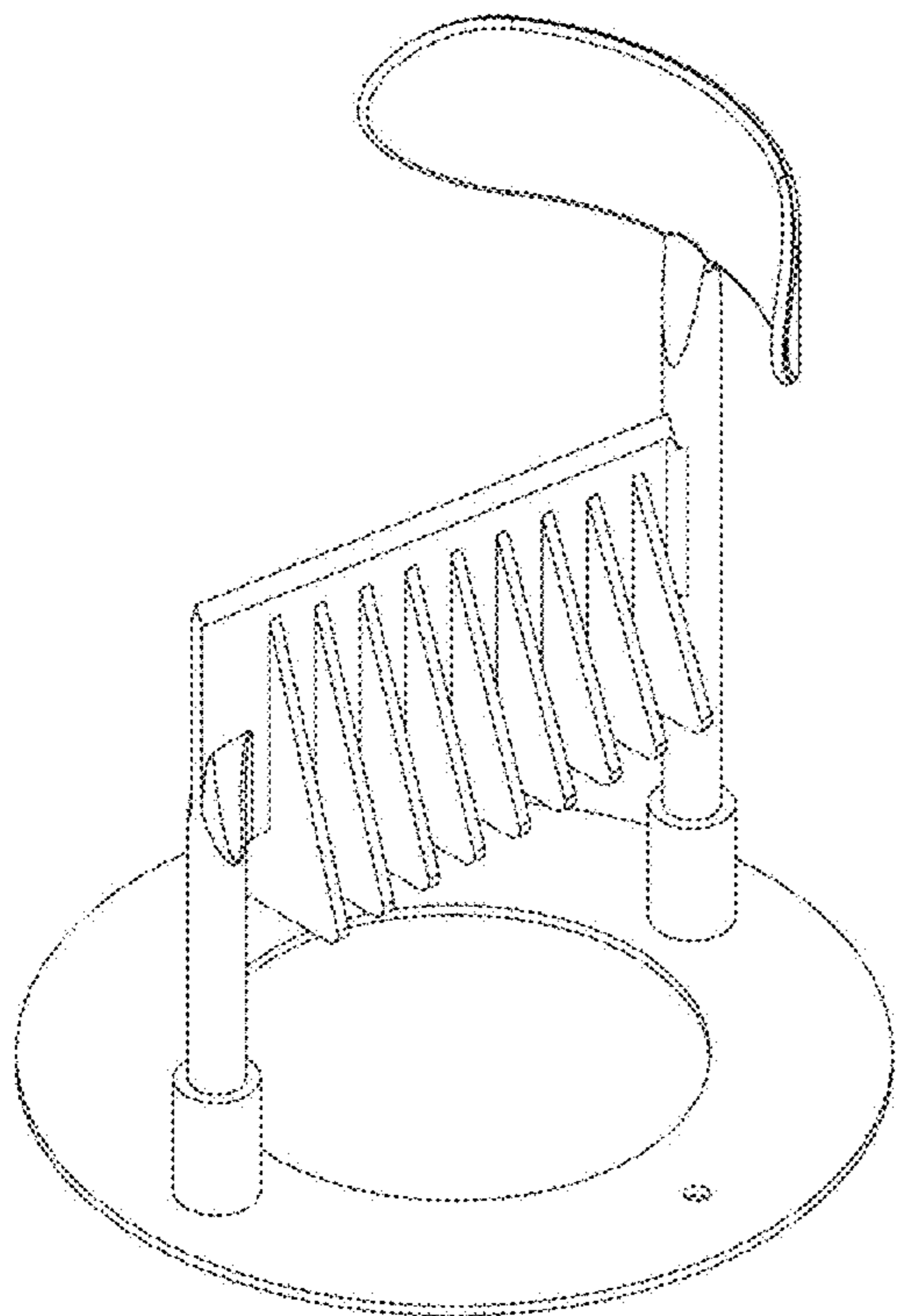
FIG. 4 is a right side view thereof;

FIG. 5 is a left side view thereof;

FIG. 6 is a top view thereof; and,

FIG. 7 is a bottom view thereof.

**1 Claim, 7 Drawing Sheets**



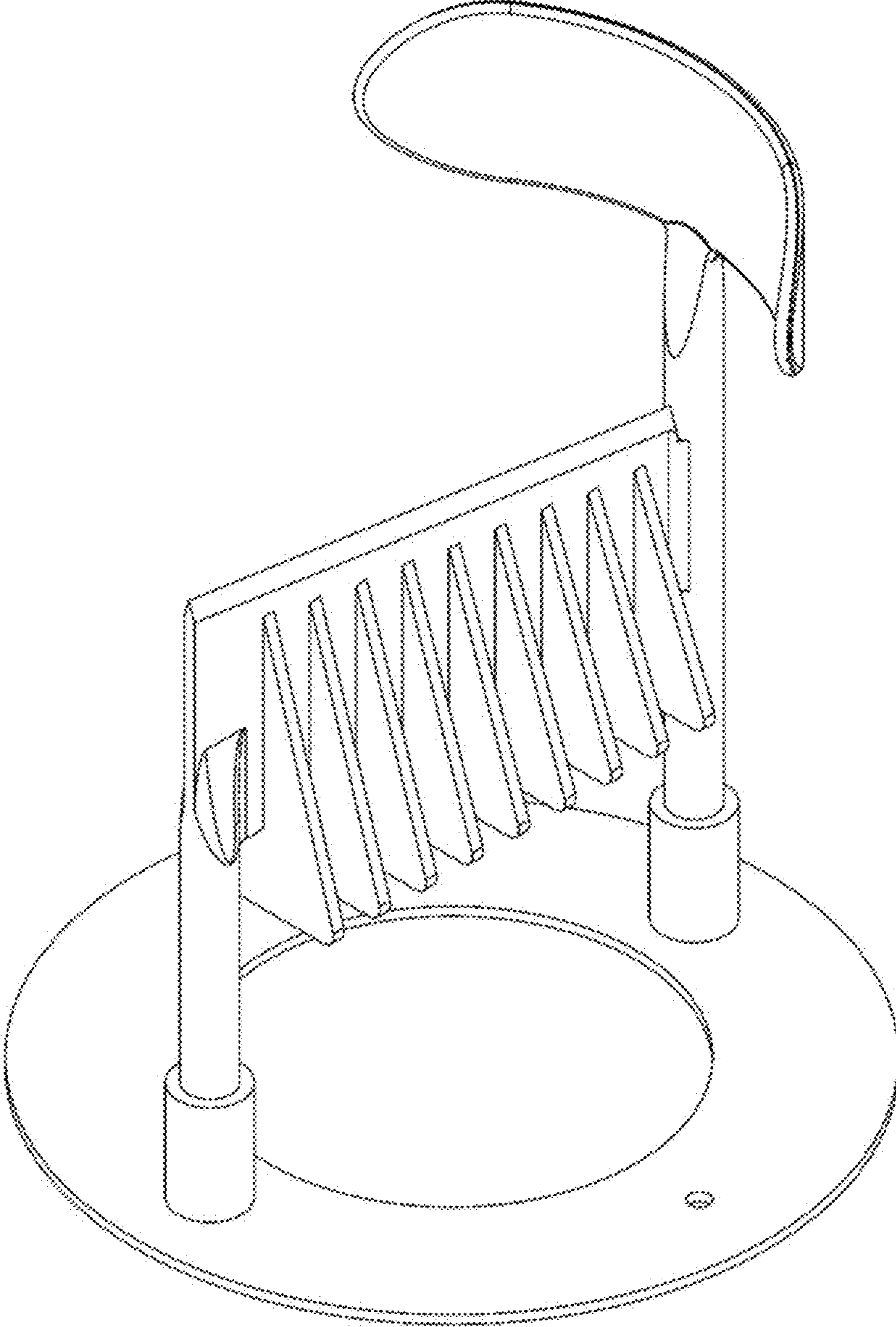


Fig.1

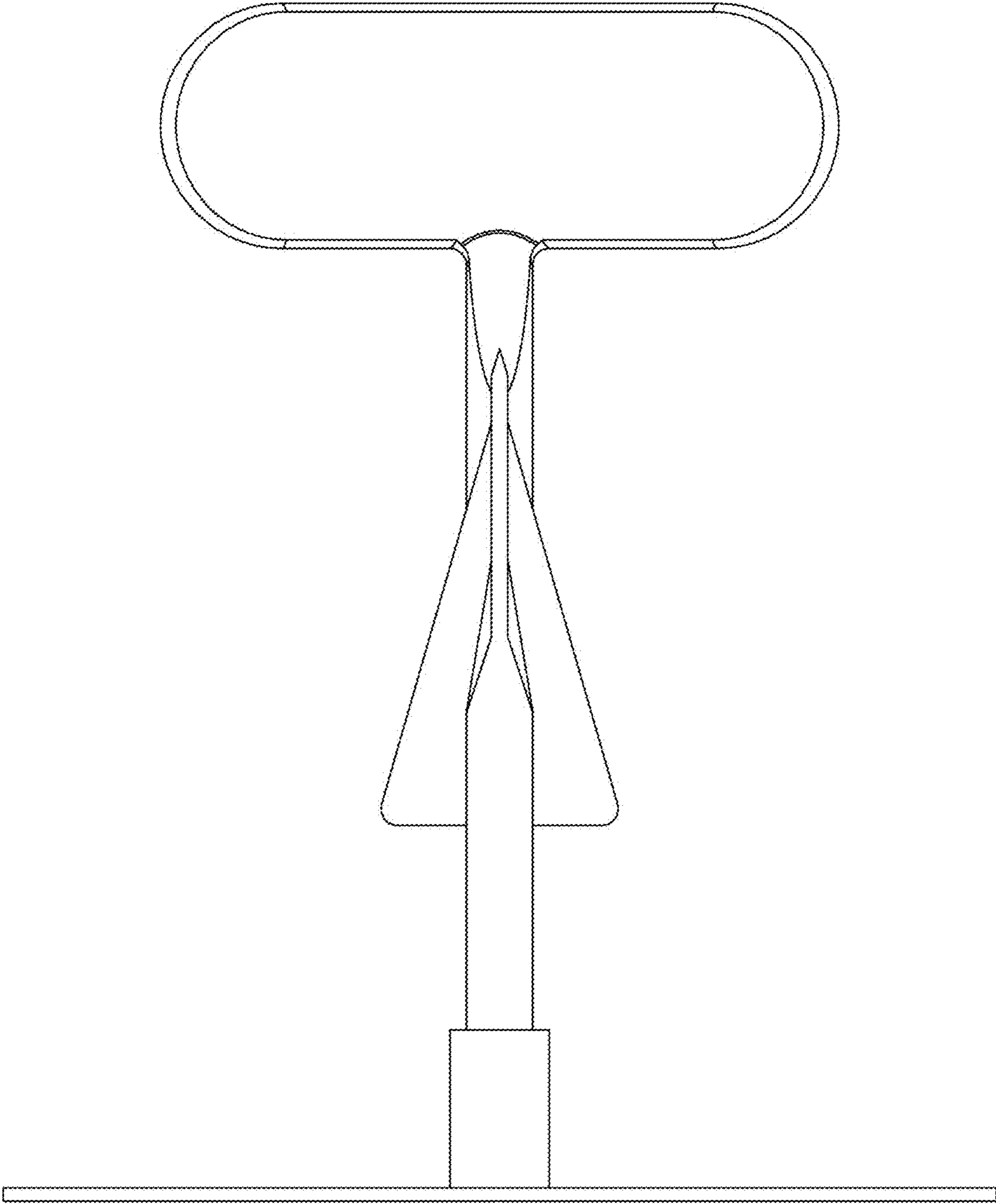


Fig.2

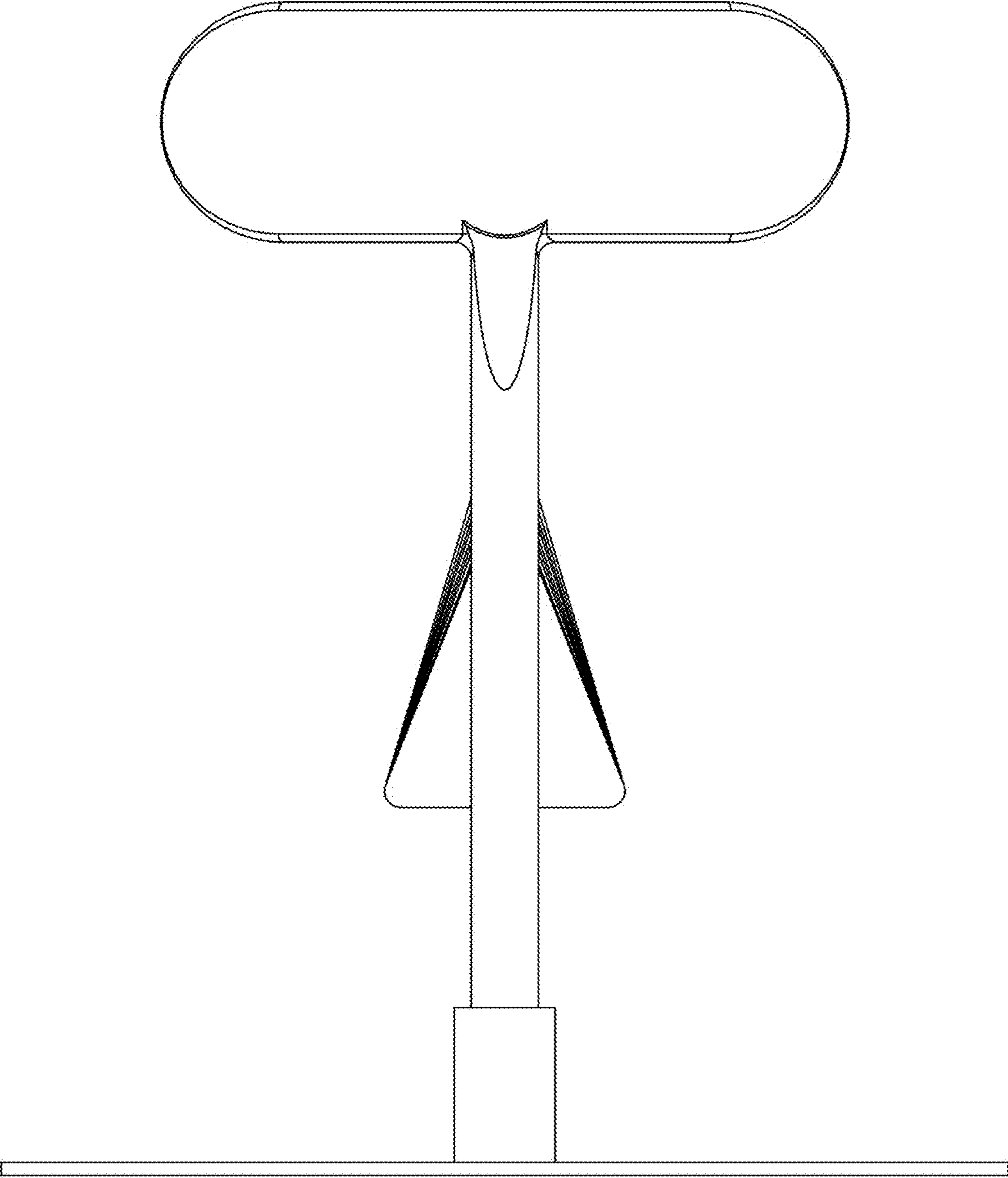


Fig.3

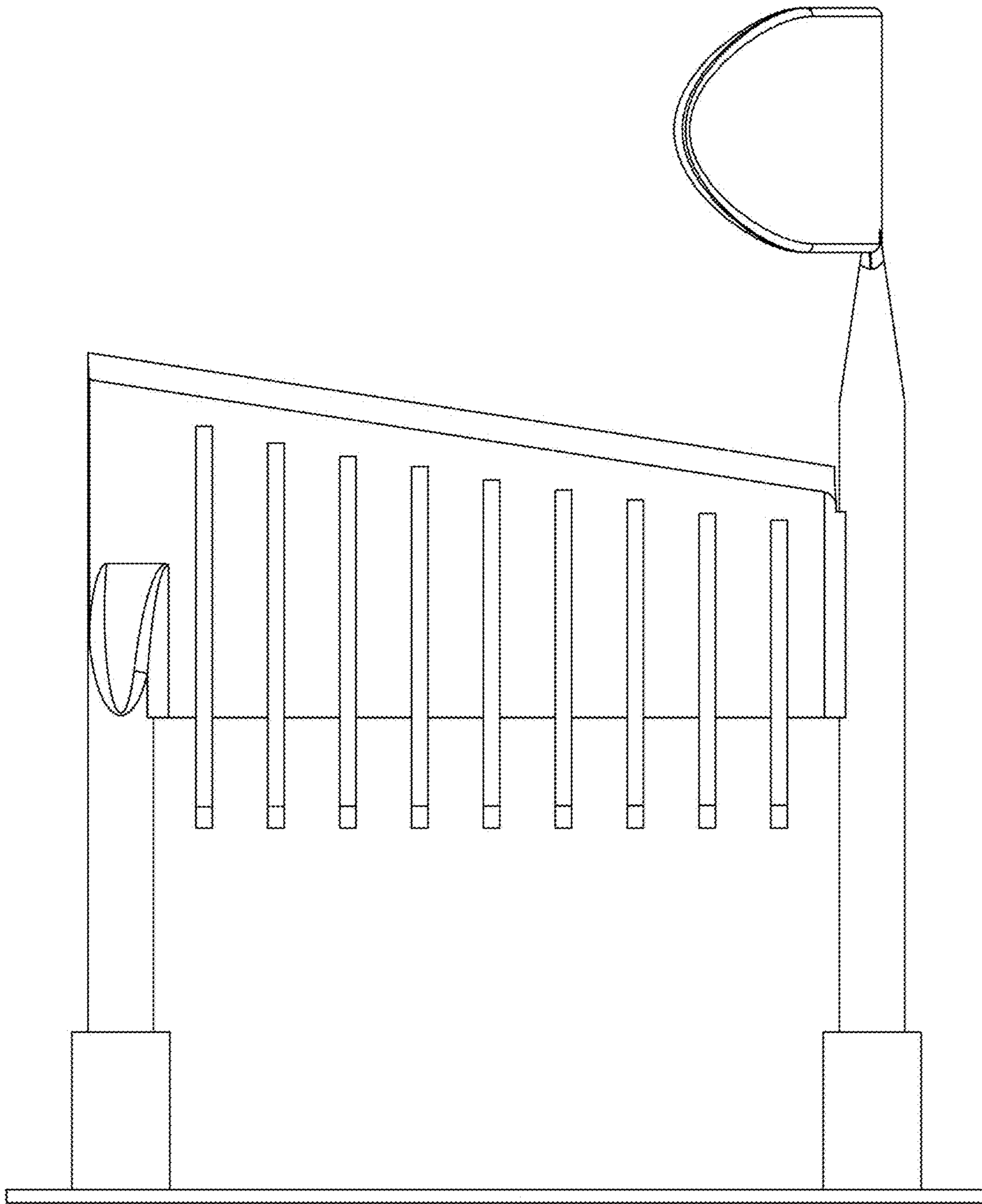


Fig.4

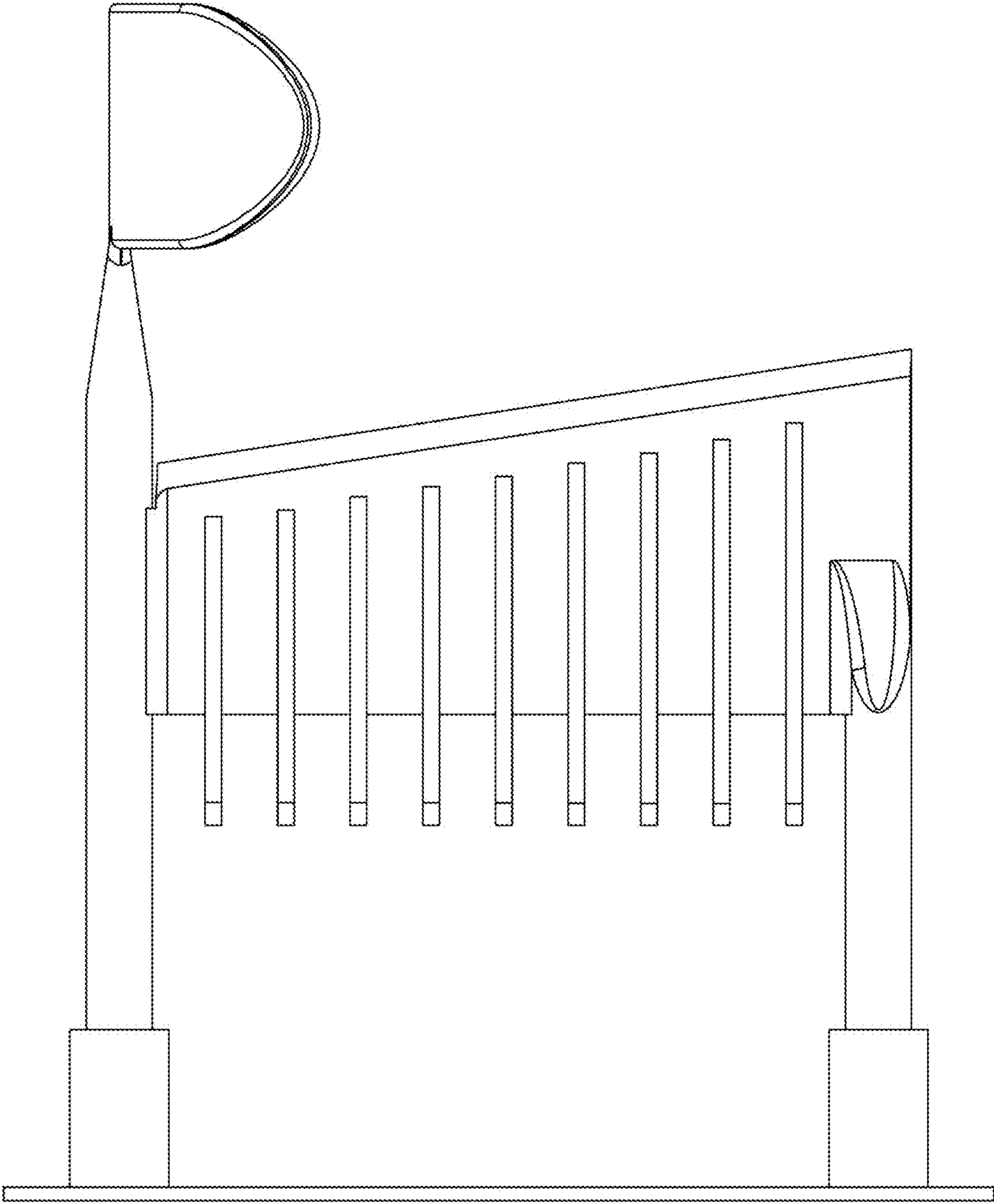


Fig.5

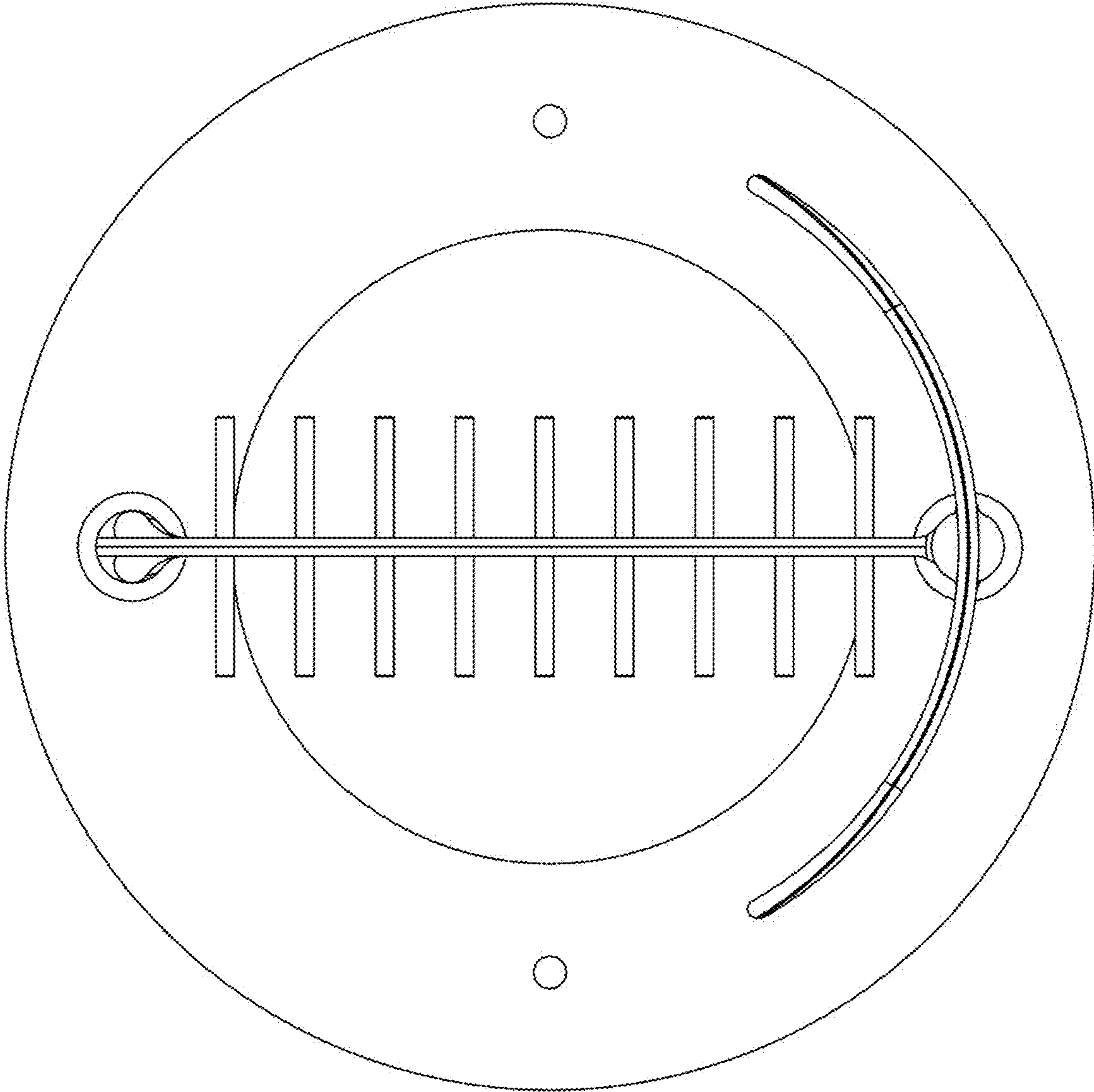


Fig.6

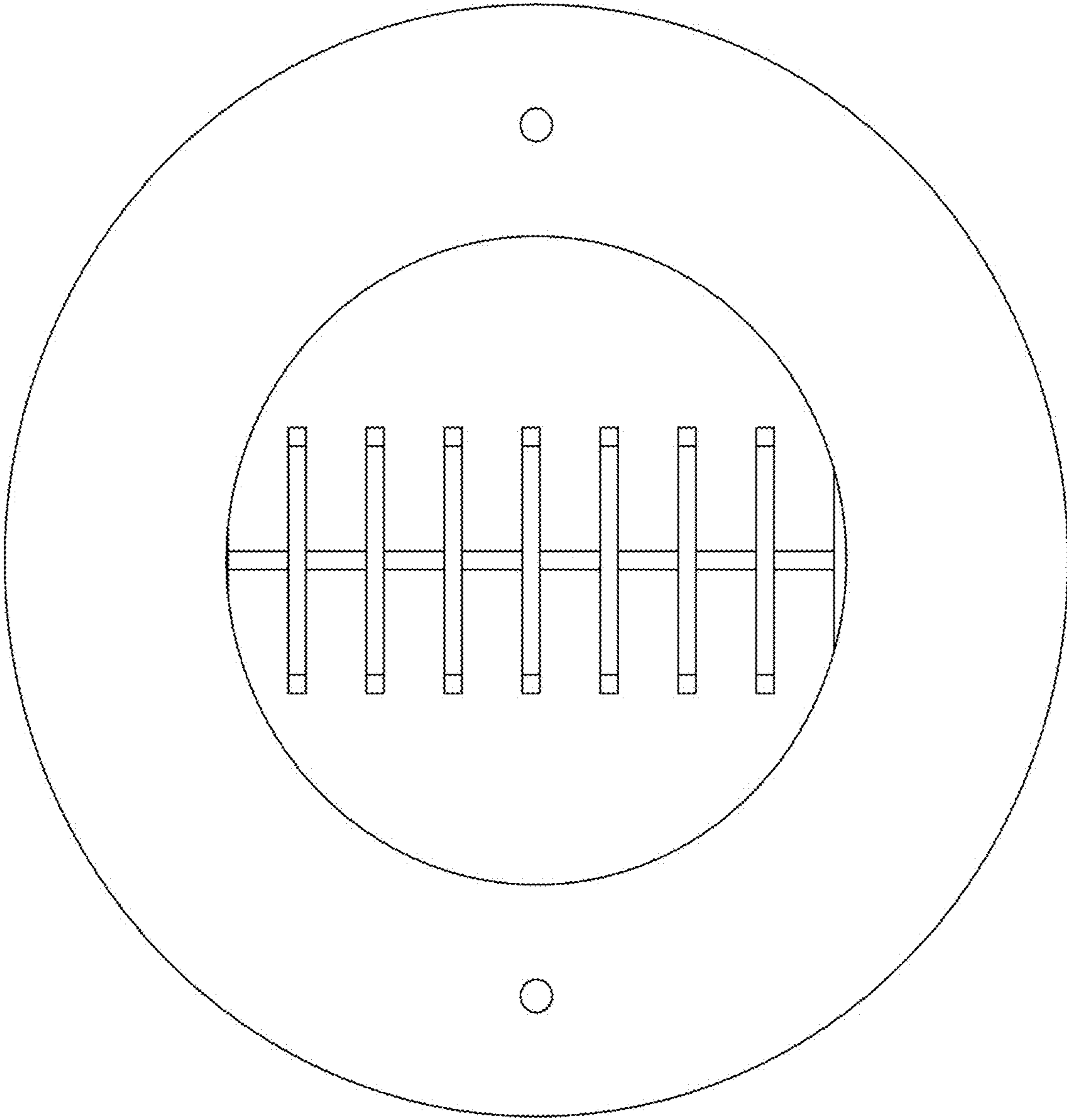


Fig.7