



US00D934038S

(12) **United States Design Patent** (10) **Patent No.:** **US D934,038 S**
Yamamoto (45) **Date of Patent:** **** Oct. 26, 2021**

(54) **VEGETABLE SLICER**

(71) Applicant: **BENRINER CO., LTD.**, Iwakuni (JP)

(72) Inventor: **Hajime Yamamoto**, Iwakuni (JP)

(73) Assignee: **Benriner Co., LTD**, Iwakuni (JP)

(**) Term: **15 Years**

(21) Appl. No.: **29/718,670**

(22) Filed: **Dec. 27, 2019**

(30) **Foreign Application Priority Data**

Nov. 29, 2019 (JP) 2019-26686

(51) **LOC (13) Cl.** **07-04**

(52) **U.S. Cl.**
USPC **D7/673**

(58) **Field of Classification Search**

USPC D7/368, 381, 387, 389, 500, 502, 504,
D7/669, 670, 672-677, 679, 693

CPC A21C 11/106; A47G 19/265; A47G 19/30;
A47G 2019/306; A47G 2021/002; A47G
21/001; A47G 21/004; A47G 21/005;
A47J 9/00; A47J 17/00; A47J 17/02;
A47J 17/04; A47J 17/10; B26B 5/008;
B26D 3/11; B26D 3/18; B26D 3/185;
B26D 3/26; B26D

(Continued)

(56) **References Cited**

U.S. PATENT DOCUMENTS

D336,214 S * 6/1993 Boerner D7/368
6,082,645 A * 7/2000 Himmighofen B26D 3/283
241/168

(Continued)

OTHER PUBLICATIONS

Vegetable Slicer Green, first available Sep. 9, 2003, Amazon,
[online], [site visited Feb. 9, 2021], Available from internet URL:

<https://www.amazon.com/Vegetable-Slicer-Green-Old-Version/dp/B000VZ57C> (Year: 2003).*

(Continued)

Primary Examiner — Mary Ann Calabrese

Assistant Examiner — Natalya M Rapundalo

(74) *Attorney, Agent, or Firm* — Fattibene and Fattibene
LLC; Paul A. Fattibene

(57) **CLAIM**

The ornamental design for a vegetable slicer, as shown and described.

DESCRIPTION

FIG. 1 is a front elevation view a vegetable slicer showing the new design;

FIG. 2 is a rear elevational view thereof;

FIG. 3 is a top plan view thereof;

FIG. 4 is a bottom plan view thereof;

FIG. 5 is a right side elevational view thereof;

FIG. 6 is a left side elevational view thereof;

FIG. 7 is a perspective top view of a main body with a movable supporting plate removed;

FIG. 8 is a perspective bottom view of the main body with the movable supporting plate removed;

FIG. 9 is a perspective top view of the movable supporting plate;

FIG. 10 is a perspective bottom view of the movable supporting plate;

FIG. 11 is a perspective bottom view thereof with the movable supporting plate in a first installation position;

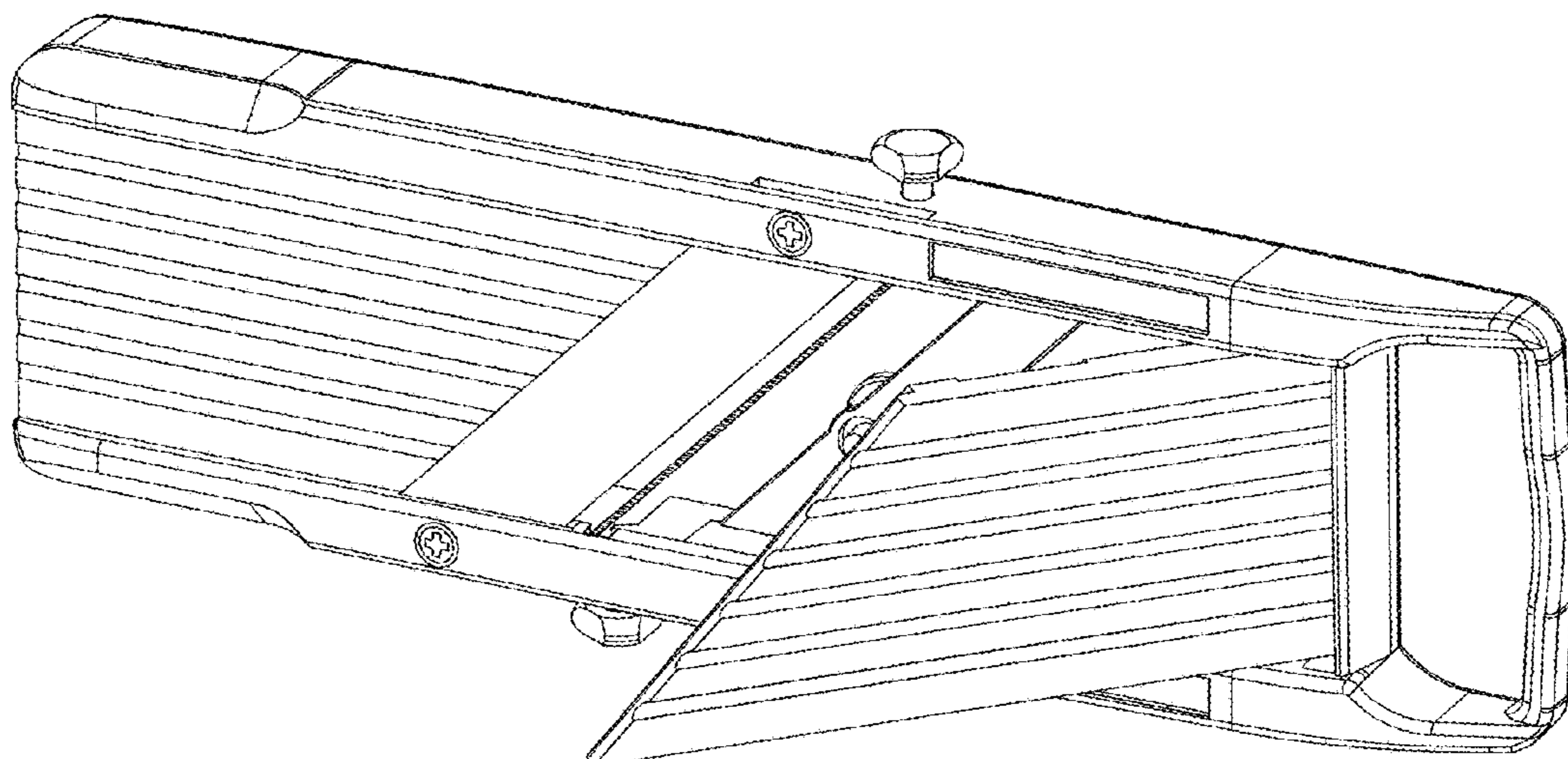
FIG. 12 is a perspective bottom view thereof with the movable supporting plate in a second installation position;

FIG. 13 is a perspective bottom view thereof with the movable supporting plate in a third installation position;

FIG. 14 is a perspective top view thereof with the movable supporting plate in a first open position; and,

FIG. 15 is a perspective top view thereof with the movable supporting plate in a second open position.

1 Claim, 10 Drawing Sheets



(58) **Field of Classification Search**
 CPC 3/28; B26D 3/283; B26D 2003/285–288;
 B26D 2210/02; B26D 2210/04; B26F
 1/40; B26F 1/44; B65D 5/18; B65D
 75/14

See application file for complete search history.

(56) **References Cited**

U.S. PATENT DOCUMENTS

D496,834 S * 10/2004 Boerner D7/381
 6,805,044 B1 * 10/2004 Yamamoto B26D 3/283
 83/856
 D770,868 S * 11/2016 Repac B26D 3/283
 D7/672
 D774,850 S 12/2016 Yamamoto D7/673
 D774,851 S 12/2016 Yamamoto D7/673
 D775,499 S 1/2017 Yamamoto D7/673
 9,687,992 B2 6/2017 Yamamoto B26D 3/283
 D826,654 S * 8/2018 Chang D7/673
 D863,900 S * 10/2019 Krus B26D 3/283
 D7/673
 2005/0028685 A1 * 2/2005 Yamamoto B26D 3/283
 99/537
 2015/0375412 A1 12/2015 Yamamoto B26D 3/283

2015/0375413 A1 12/2015 Yamamoto B26D 3/283
 2016/0075044 A1 3/2016 Yamamoto B26D 3/283
 2017/0066151 A1 3/2017 Yamamoto B26D 3/283

OTHER PUBLICATIONS

Benriner Mandoline Slicer, first available Mar. 15, 2016, Amazon, [online], [site visited Feb. 9, 2021], Available from internet URL: <https://www.amazon.com/Benriner-Mandoline-Slicer-Japanese-Stainless/dp/B01CZXJBU> (Year: 2016).*

Benriner Mandoline Super Standard Slicer, first available Jan. 23, 2019, Amazon, [online], [site visited Feb. 9, 2021], Available from internet URL: <https://www.amazon.com/Benriner-Japanese-Mandolin-Vegetable-Slicer/dp/B07N1K6R1N> (Year: 2019).*

Registration No. 180004, Mar. 4, 2019—Canadian Intellectual Property Office Publication Date—Mar. 4, 2019 Owner—Benriner Co Ltd WIPO, available at <https://www3.wipo.int/designdb/en/index.jsp> (Year: 2019).*

Benriner No. 64 Japanese Mandolin Ivory Vegetable Slicer, first available Mar. 28, 2019, Amazon, [online], [site visited Feb. 18, 2021], Available from internet URL: <https://www.amazon.com/Benriner-BN3S-Standard-Madoline-Stainless/dp/B07G93X16W> (Year: 2019).*

* cited by examiner

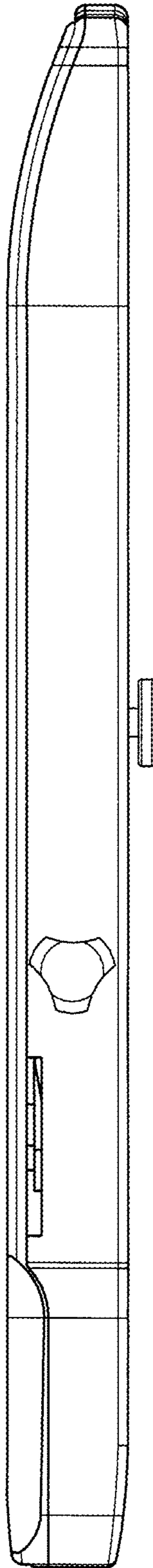


FIG. 1

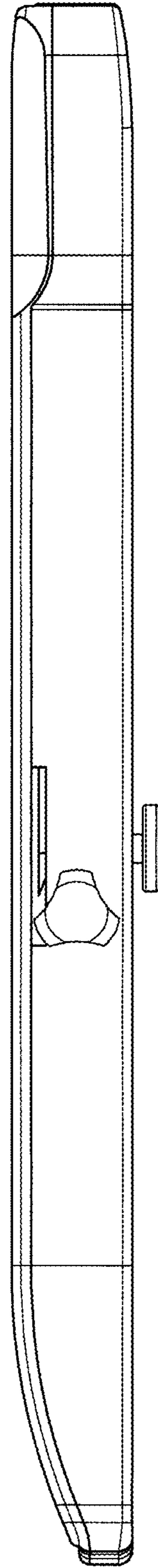


FIG. 2

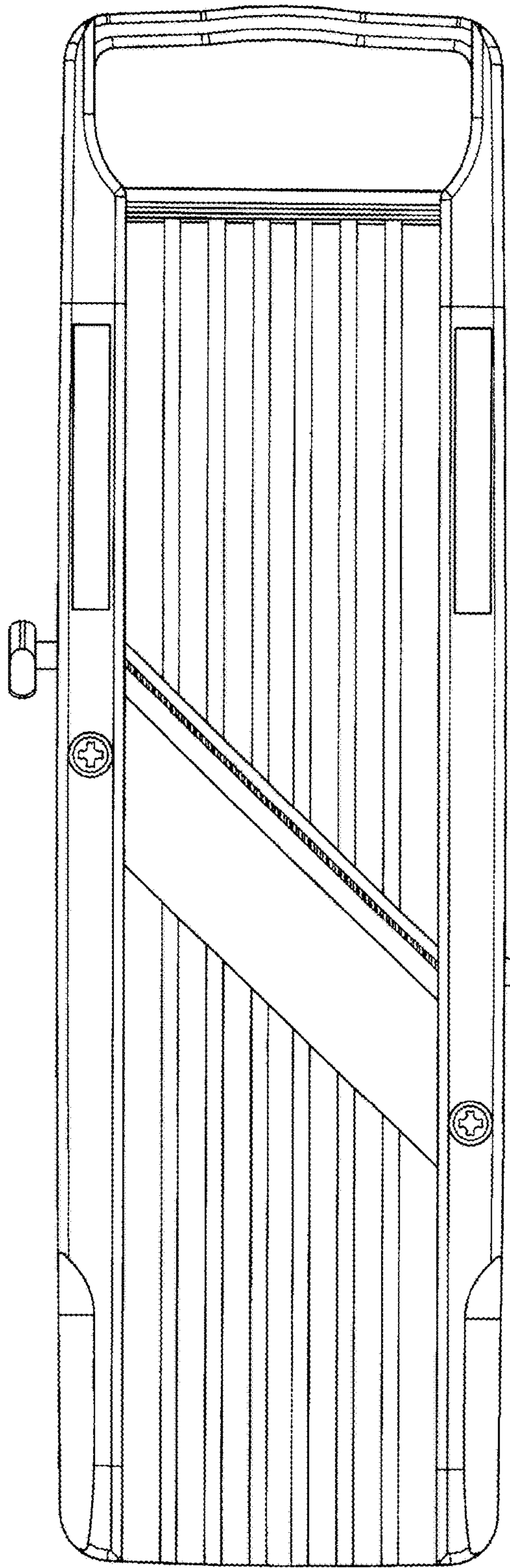


FIG. 3

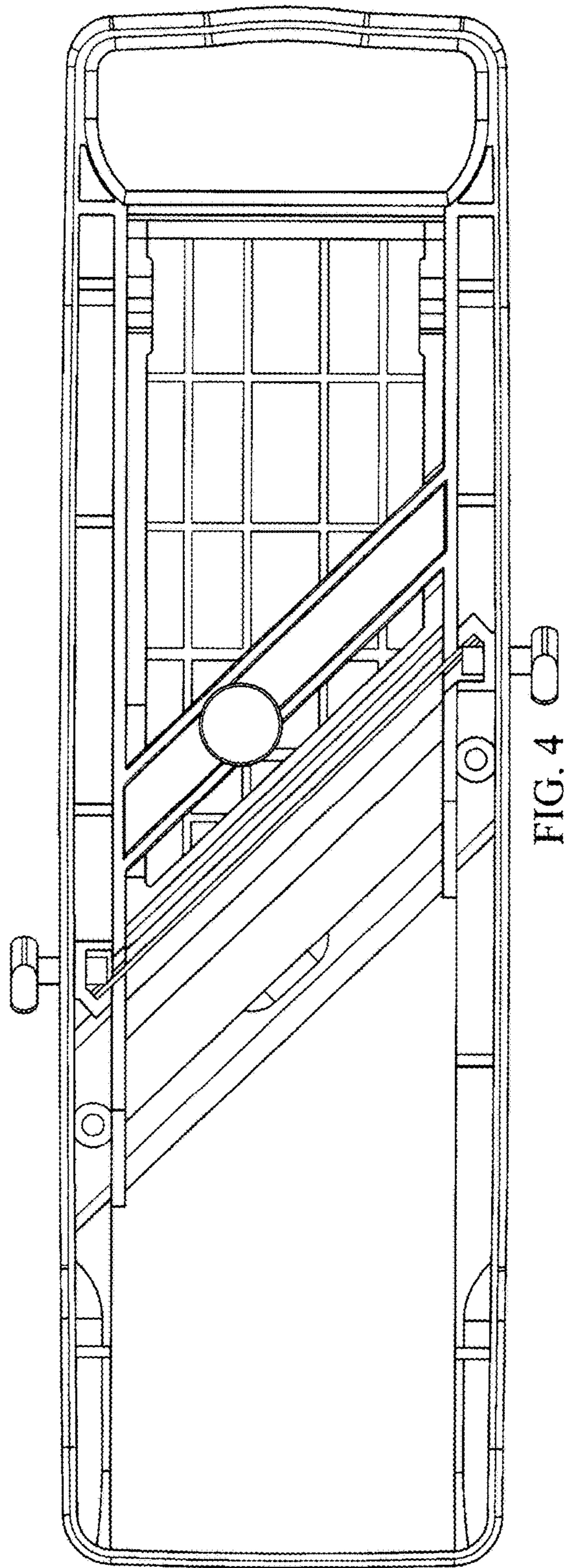


FIG. 4

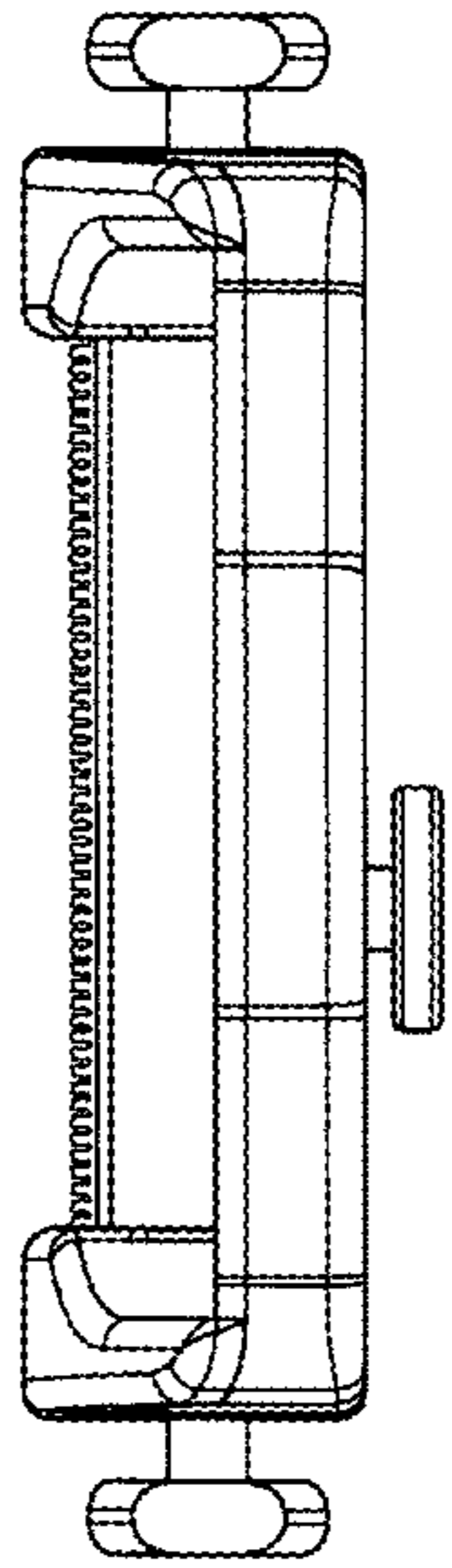


FIG. 5

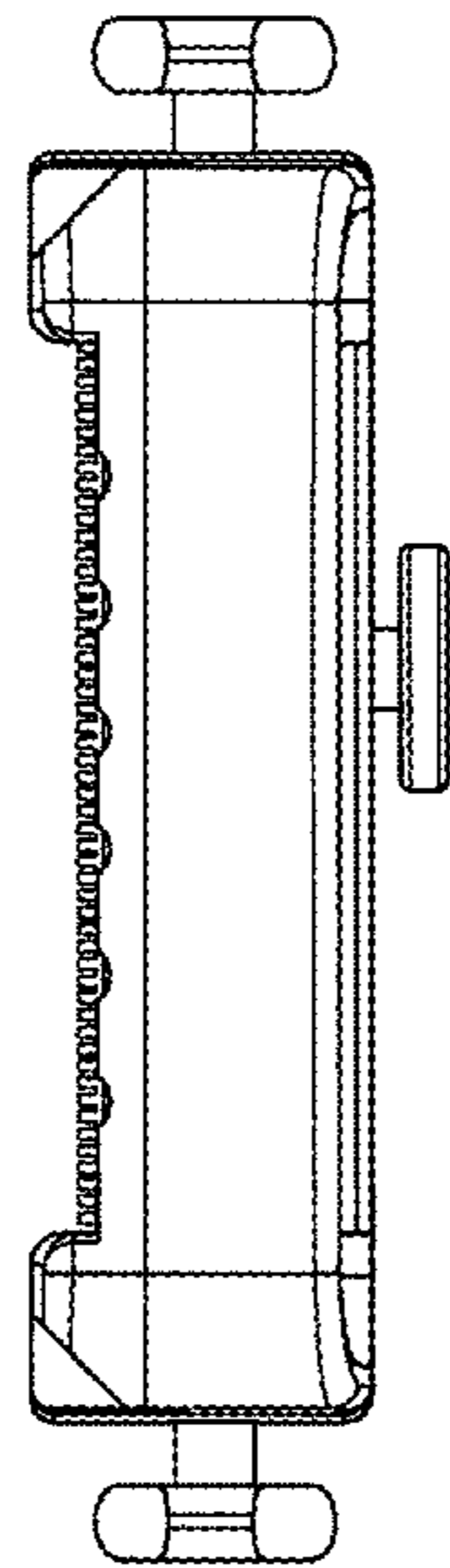


FIG. 6

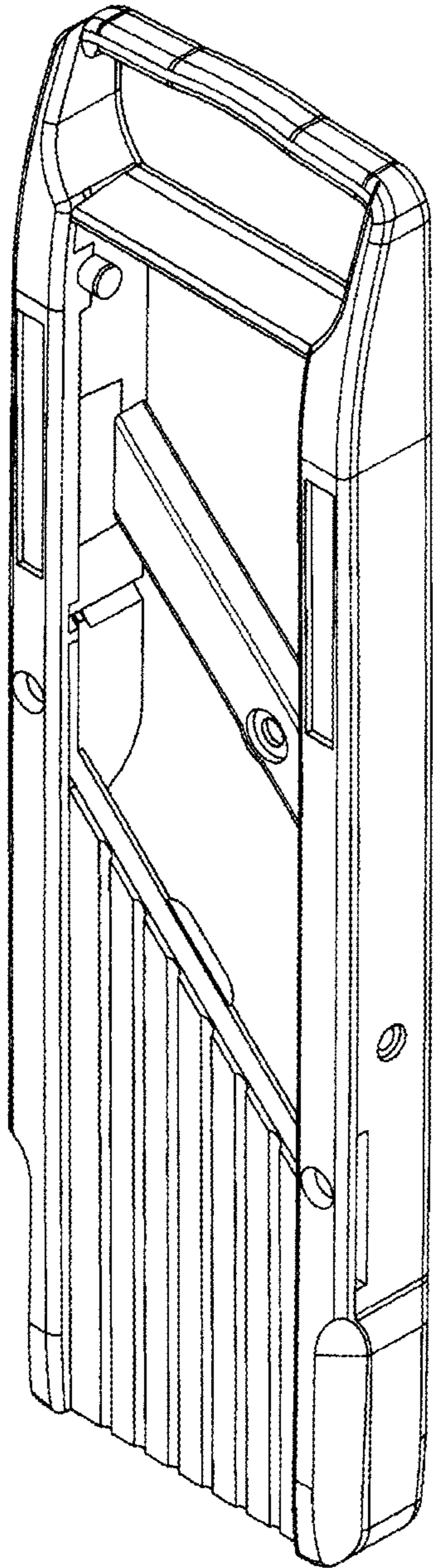


FIG. 7

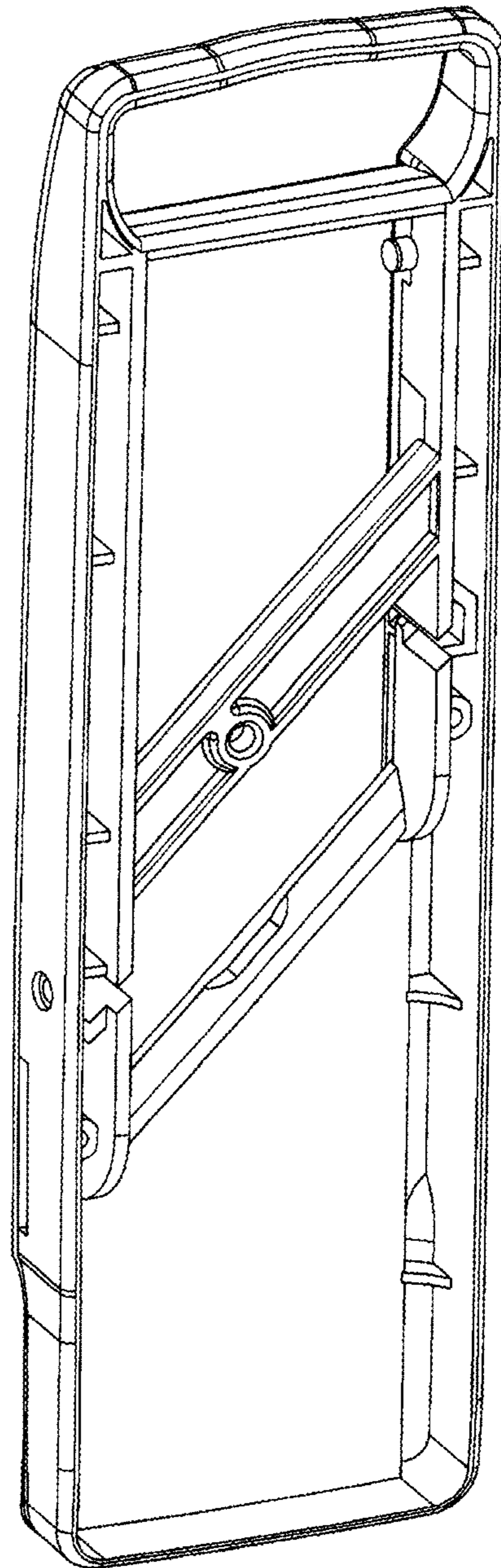


FIG. 8

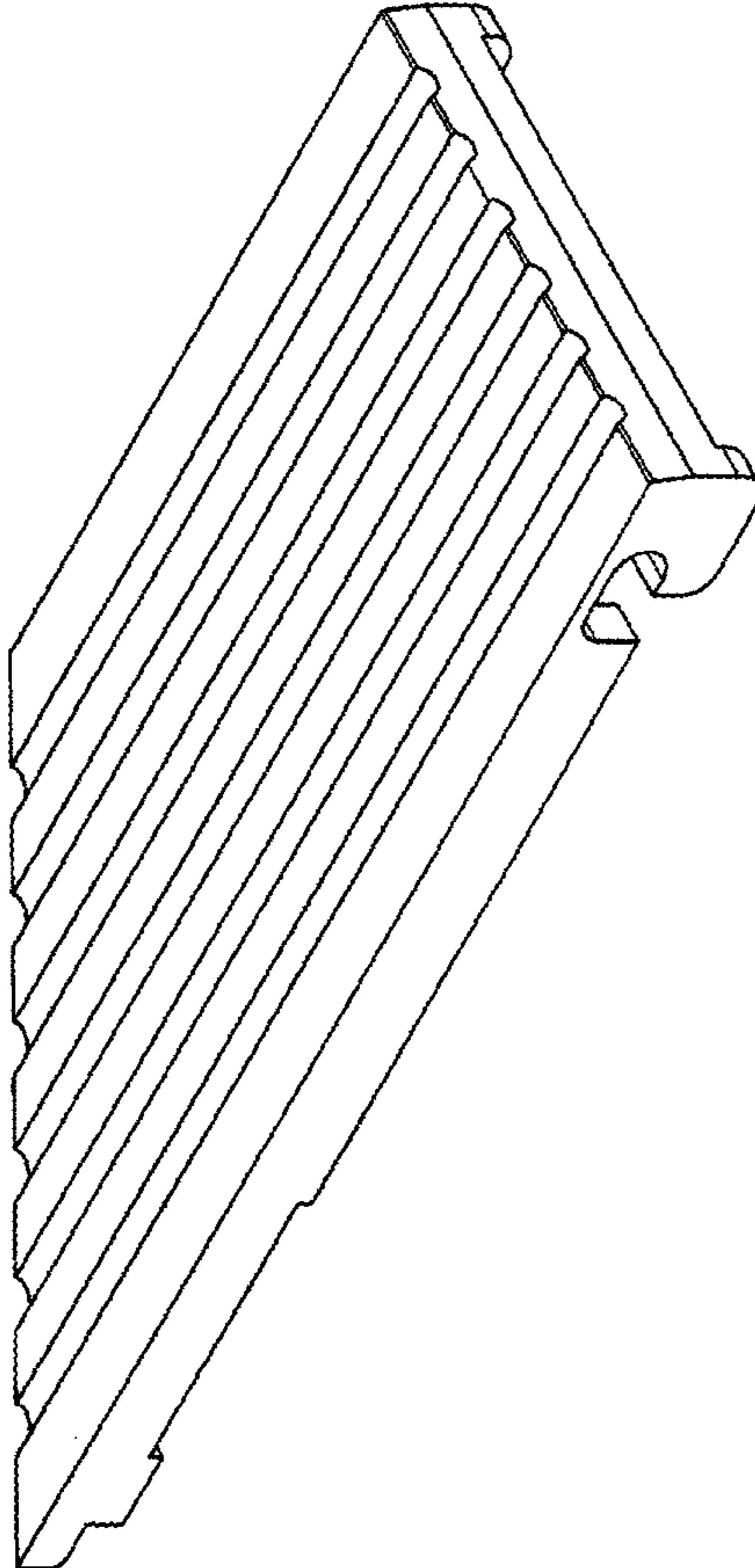


FIG. 9

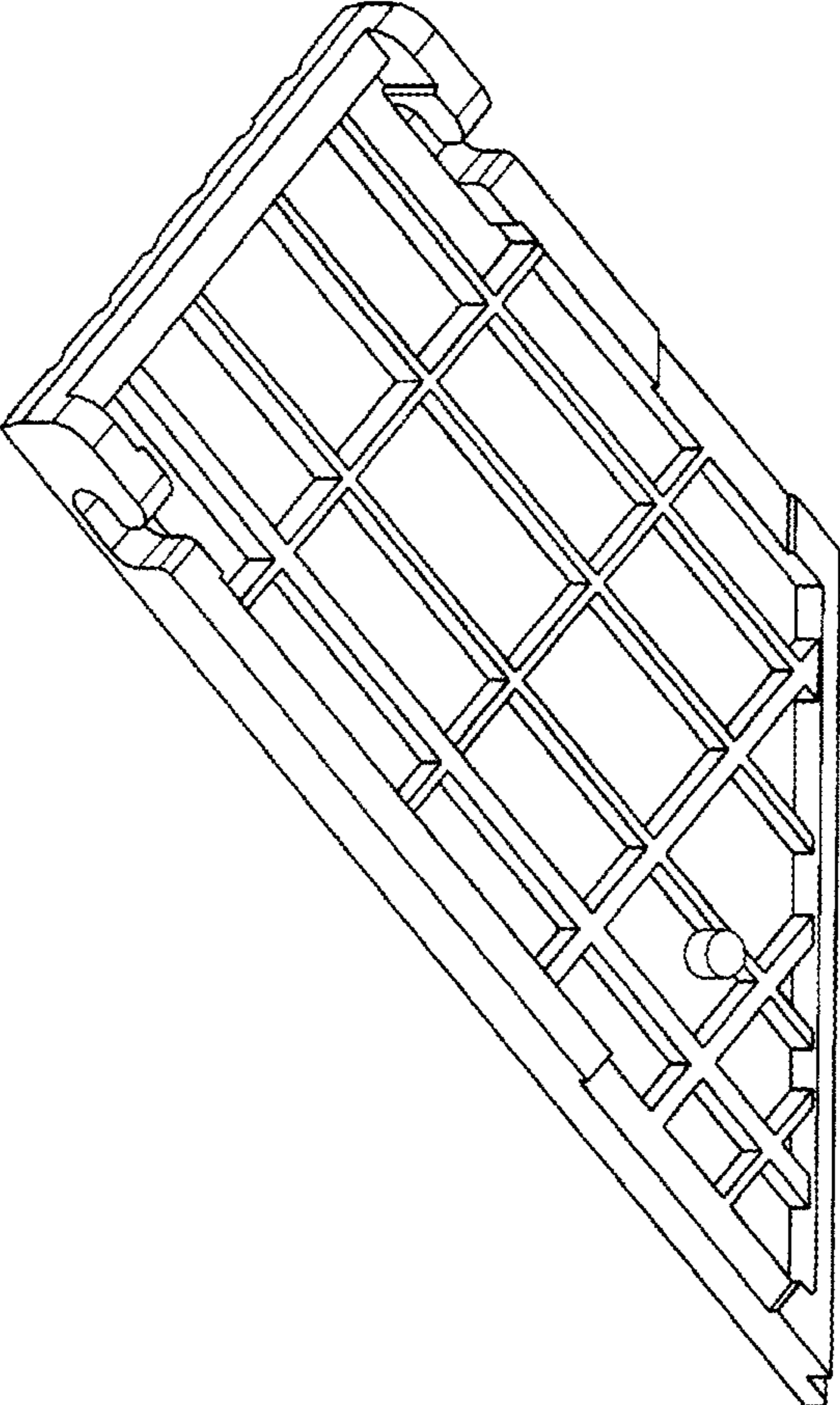


FIG. 10

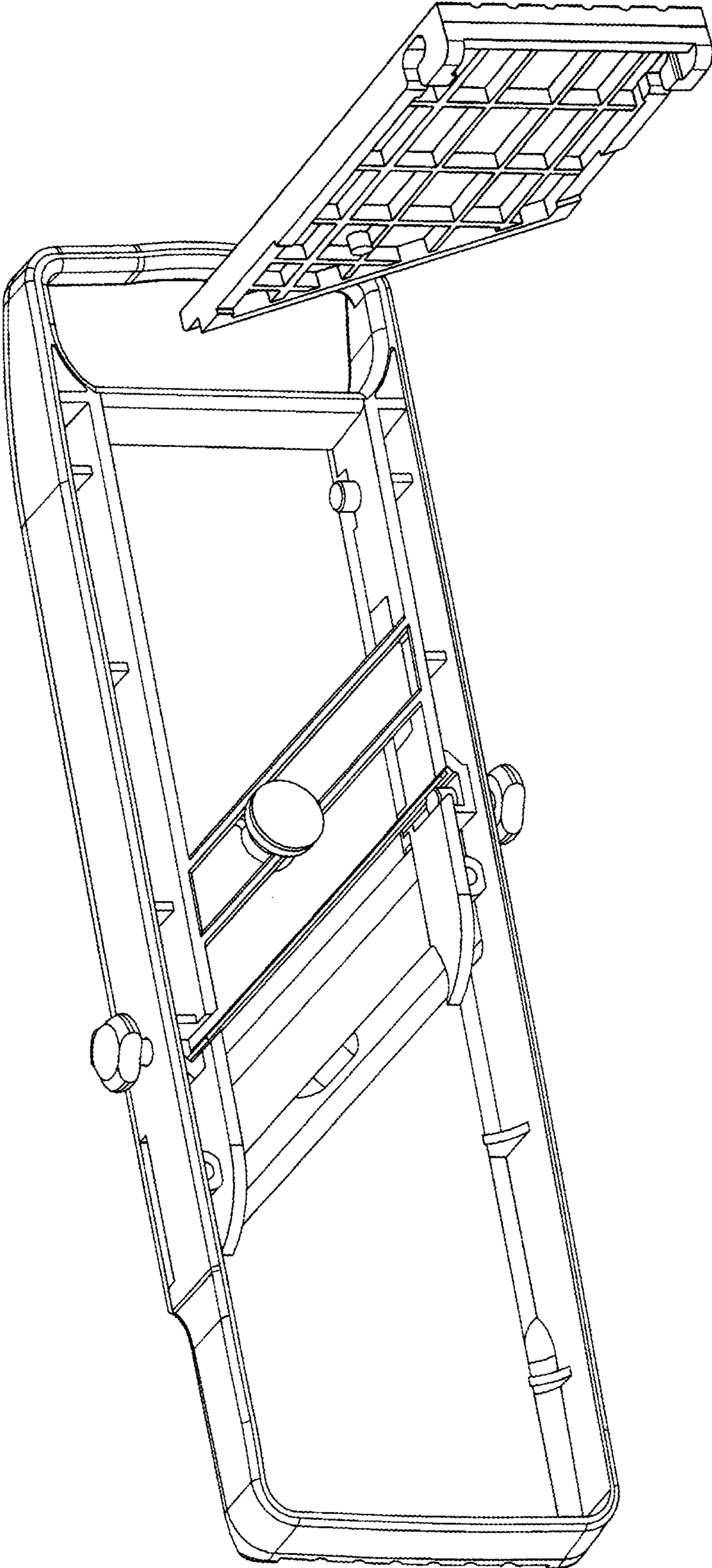


FIG. 11

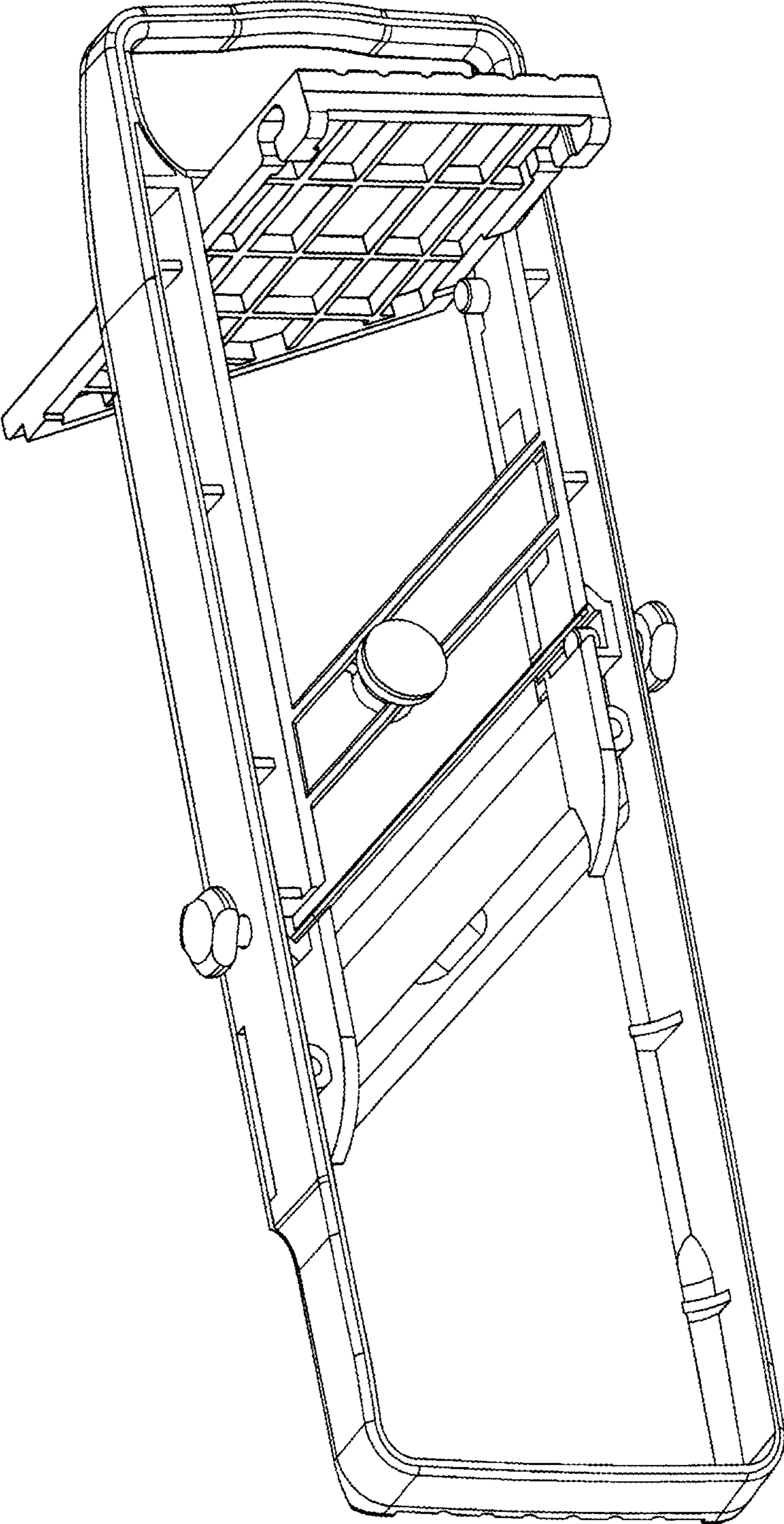


FIG. 12

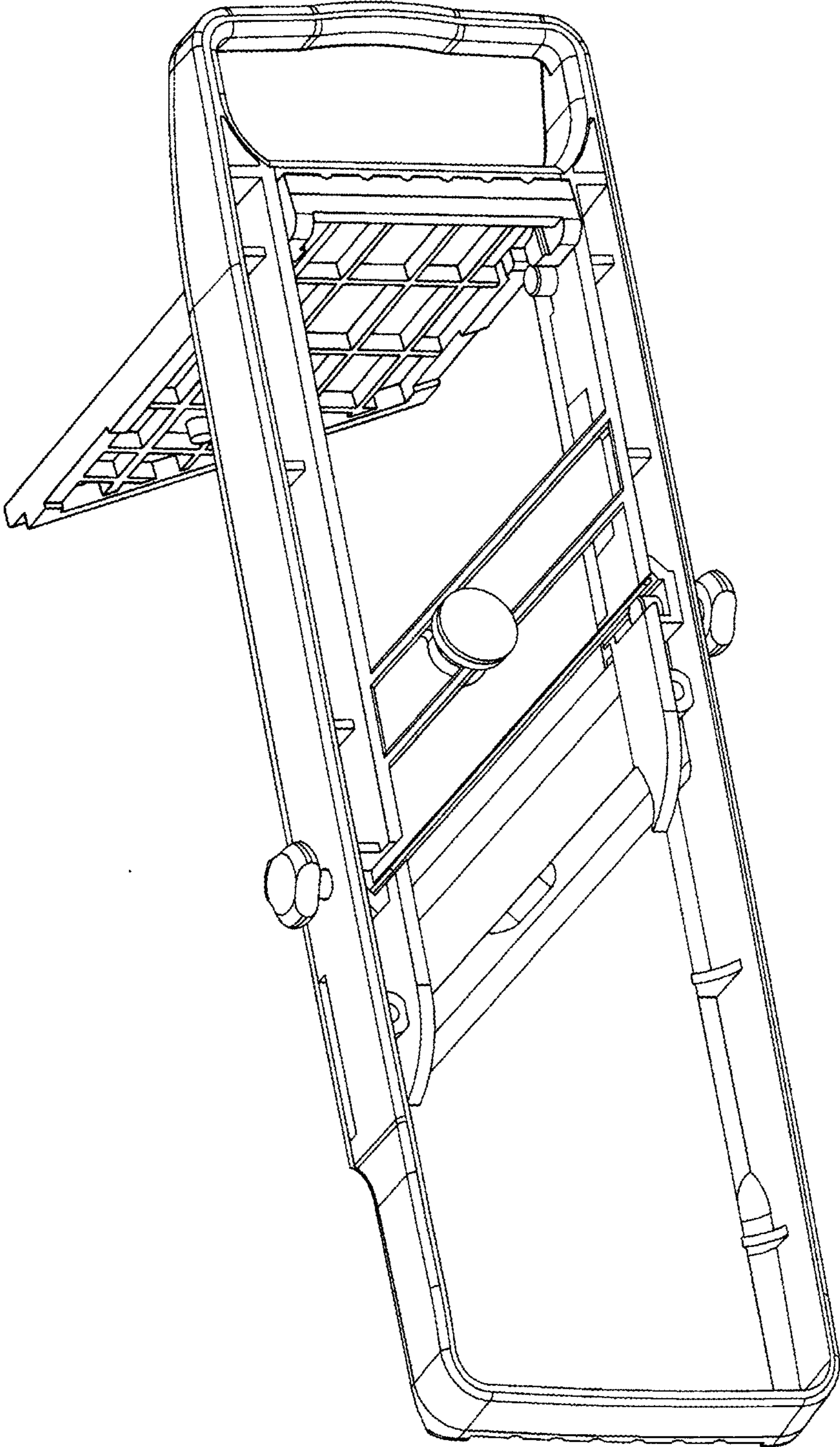


FIG. 13

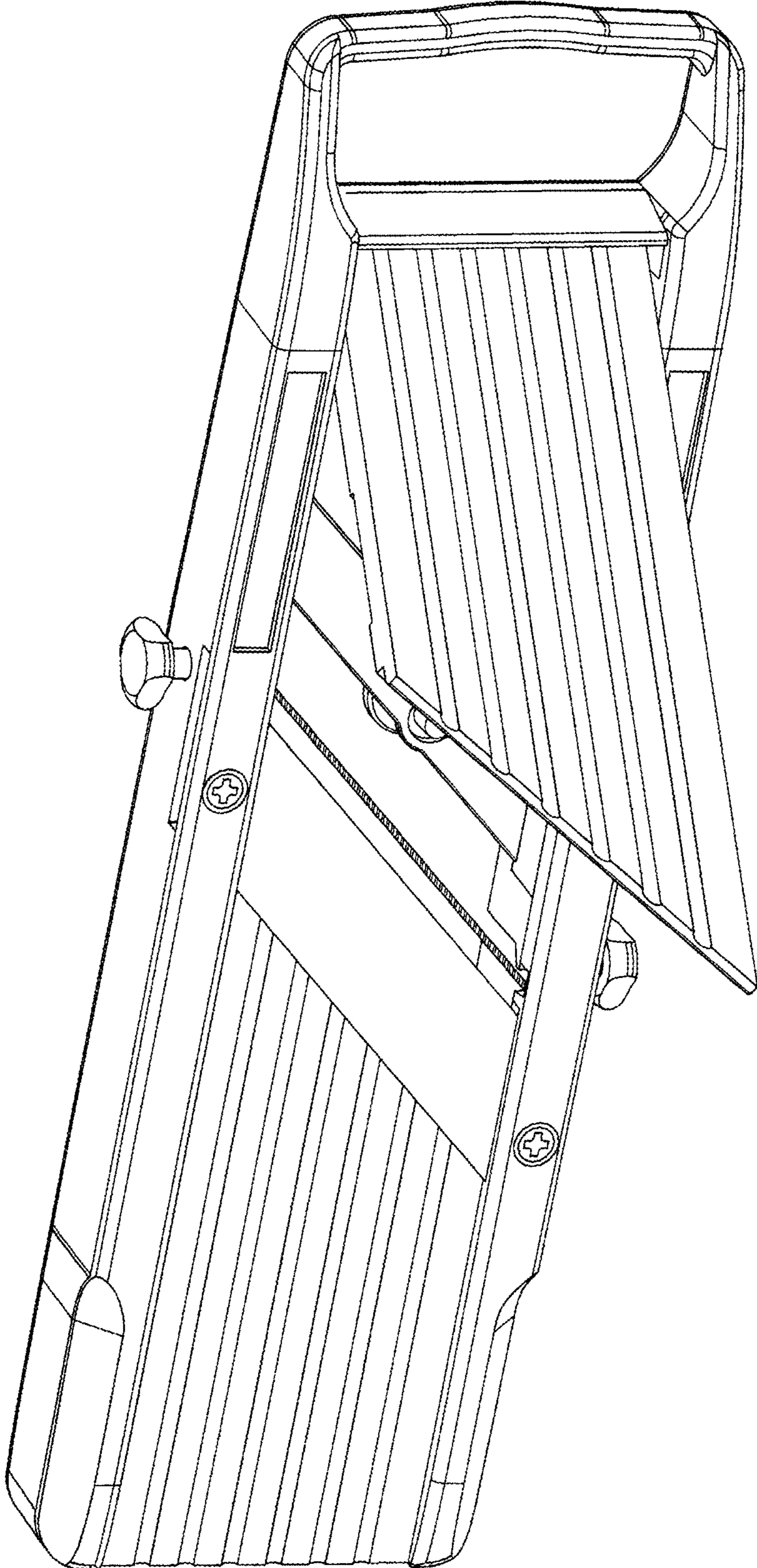


FIG. 14

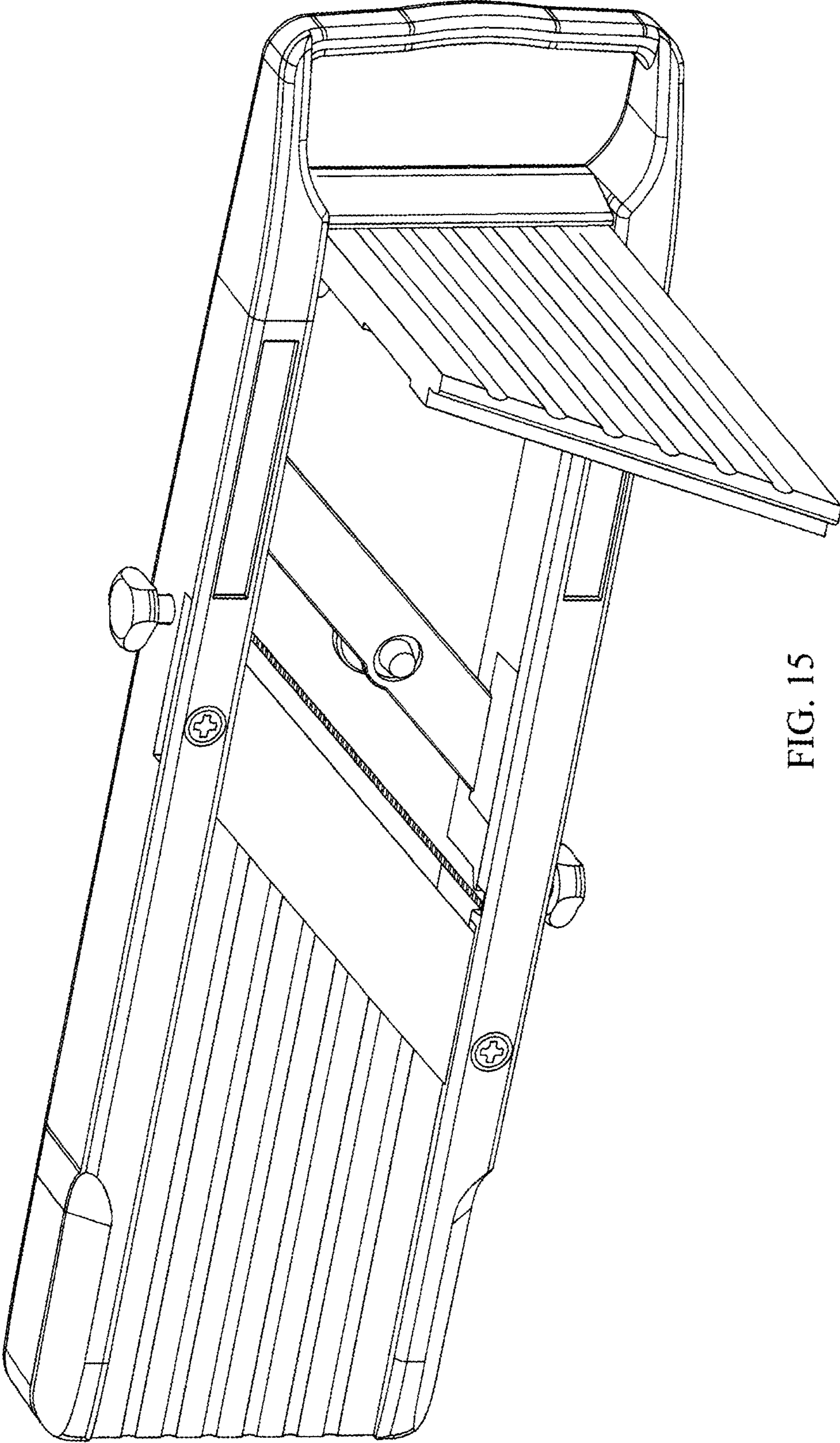


FIG. 15