



US00D934035S

(12) **United States Design Patent**  
**Bland**

(10) **Patent No.:** **US D934,035 S**

(45) **Date of Patent:** **\*\* Oct. 26, 2021**

(54) **CLIP FOR A CUP OR BEVERAGE HOLDER OR CARRIER**

(71) Applicant: **Stand Designs Pty. Ltd.**, Mornington (AU)

(72) Inventor: **Wade Michael Bland**, Victoria (AU)

(73) Assignee: **Stand Designs Pty Ltd**, Mornington (AU)

(\*\*) Term: **15 Years**

(21) Appl. No.: **29/713,084**

(22) Filed: **Nov. 13, 2019**

(51) **LOC (13) Cl.** ..... **07-06**

(52) **U.S. Cl.**  
USPC ..... **D7/619.1**

(58) **Field of Classification Search**  
USPC ..... D7/619.1-625  
CPC ..... B60N 3/101; B60N 3/108; A47G 23/02;  
A47G 23/0316

See application file for complete search history.

(56) **References Cited**

**U.S. PATENT DOCUMENTS**

2,030,775 A \* 2/1936 Twiss ..... A47J 47/16  
248/149  
5,533,700 A \* 7/1996 Porter ..... B60N 3/101  
248/311.2

D428,302 S \* 7/2000 Miller ..... D11/152  
D428,308 S \* 7/2000 Hartmann ..... D12/420  
D431,423 S \* 10/2000 Ohm ..... D7/620  
8,109,476 B2 \* 2/2012 Roberts ..... B65B 67/1205  
248/97  
D676,716 S \* 2/2013 Lalo ..... D7/619.1  
D730,700 S \* 6/2015 Gunal ..... D7/624.1  
D802,374 S \* 11/2017 Chan ..... D7/624.1  
2017/0020319 A1 \* 1/2017 Detweiler ..... A47G 23/0306  
2017/0119188 A1 \* 5/2017 Chan ..... A47G 23/0216

\* cited by examiner

*Primary Examiner* — Terry A Wallace

(74) *Attorney, Agent, or Firm* — David F. Dockery; The Navitas Intellectual Property Group LLC

(57) **CLAIM**

The ornamental design for a clip for a cup or beverage holder or carrier, as shown and described.

**DESCRIPTION**

FIG. 1 is a perspective view of a clip for a cup or beverage holder or carrier;

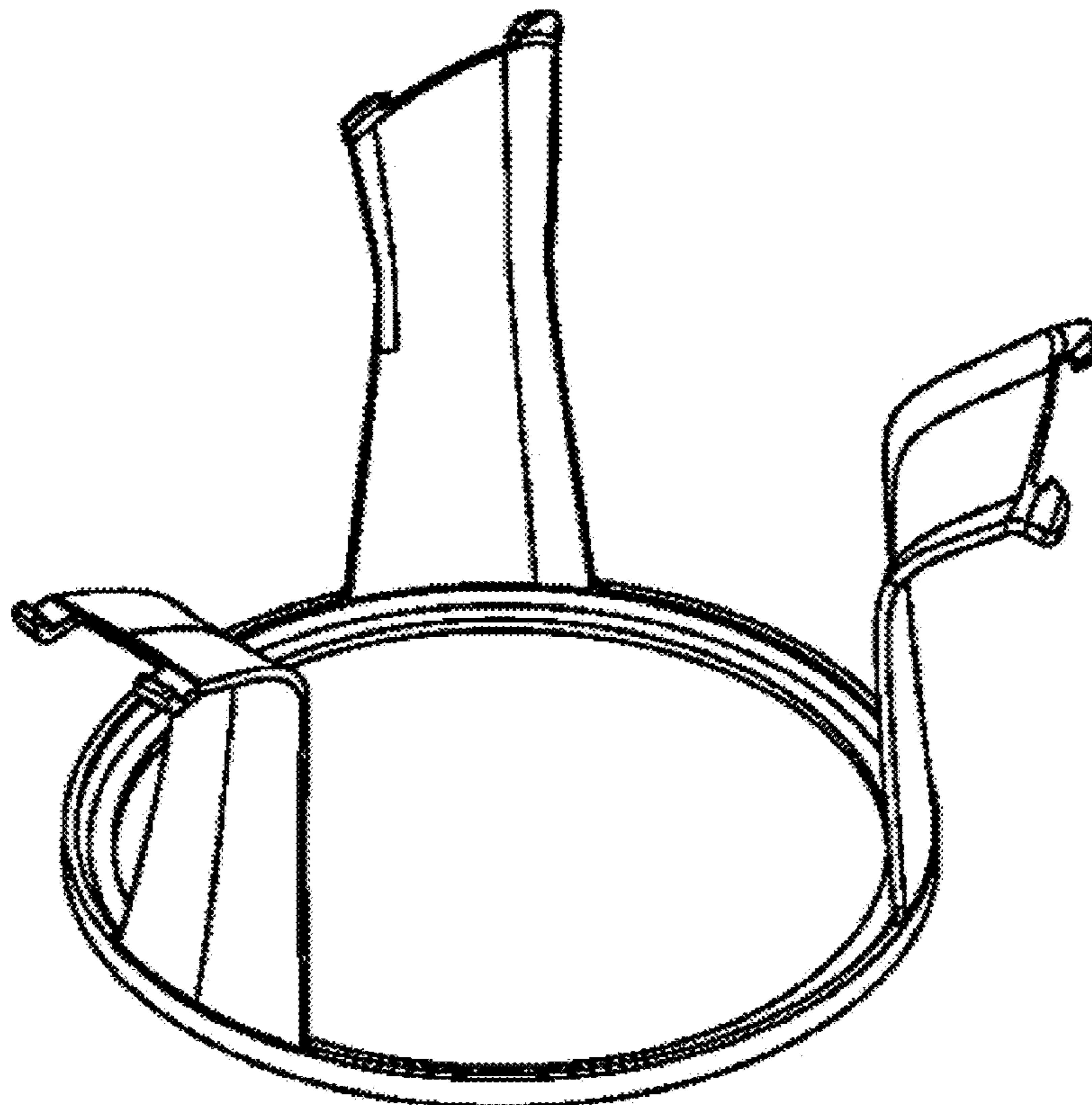
FIG. 2 is a top view of the clip for a cup or beverage holder or carrier of FIG. 1;

FIG. 3 is a front view of the clip for a cup or beverage holder or carrier of FIG. 1;

FIG. 4 is a bottom view of the clip for a cup or beverage holder or carrier of FIG. 1; and,

FIG. 5 is a rear view of the clip for a cup or beverage holder or carrier of FIG. 1.

**1 Claim, 5 Drawing Sheets**



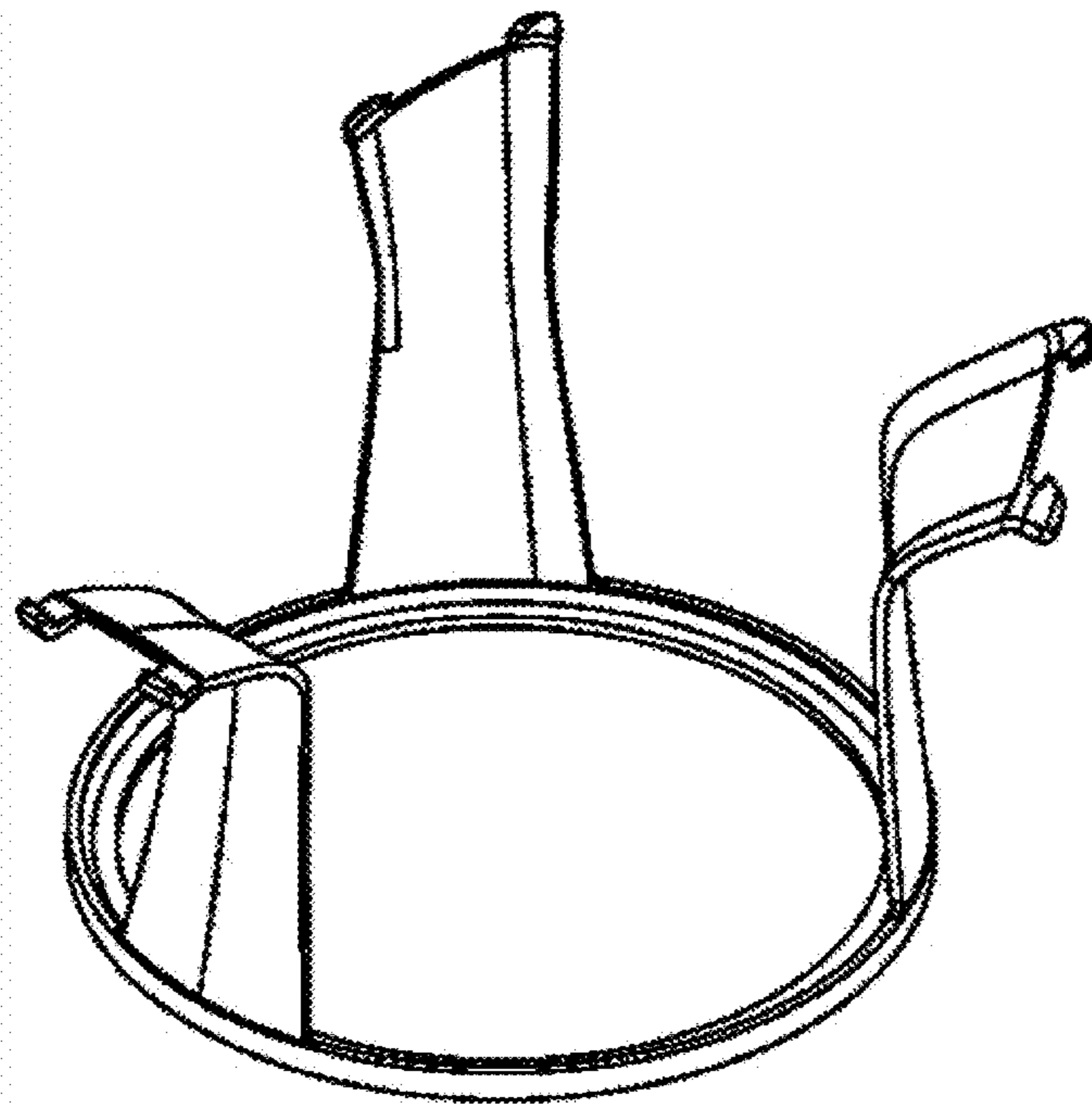


FIG. 1

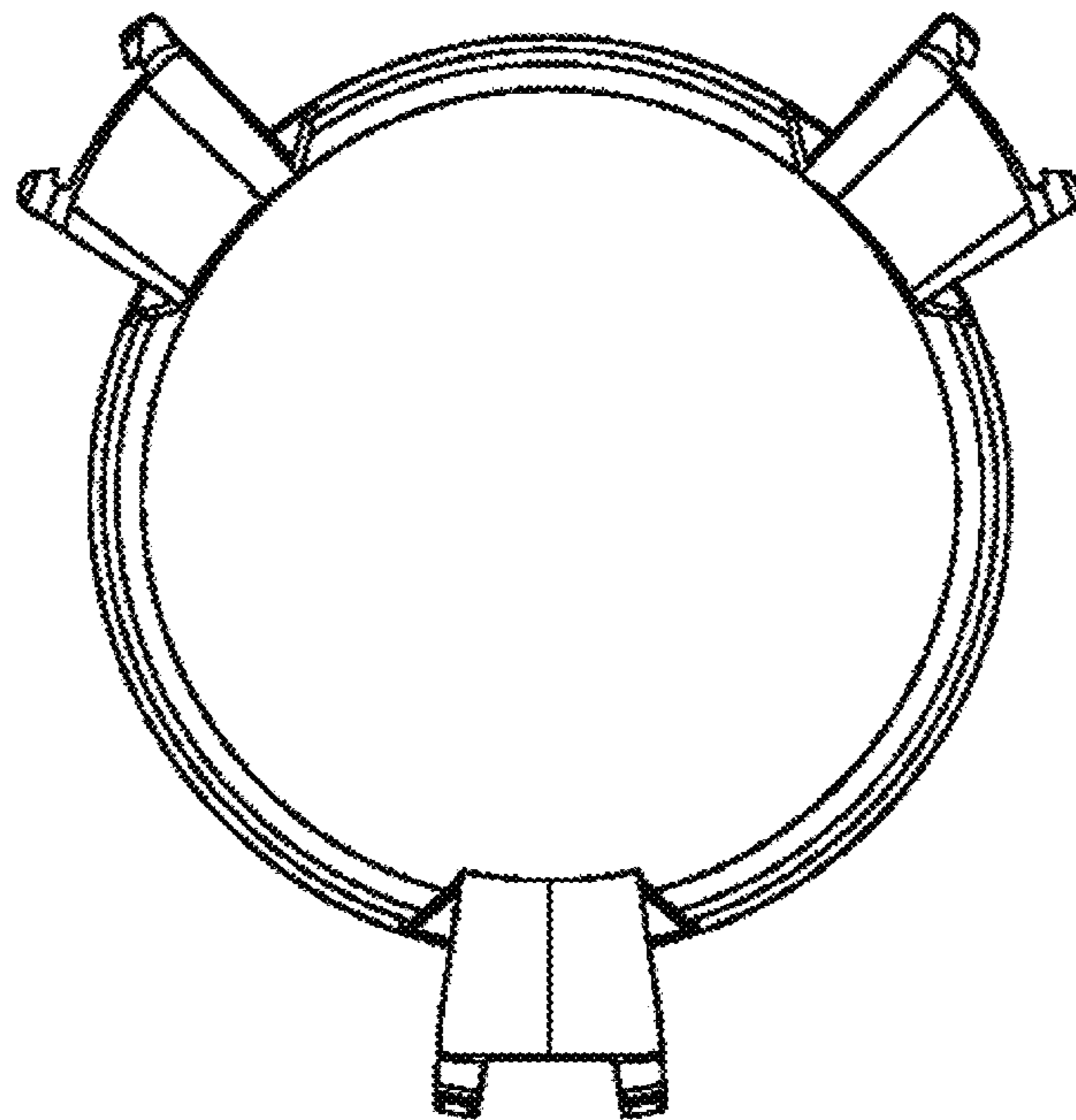


FIG. 2

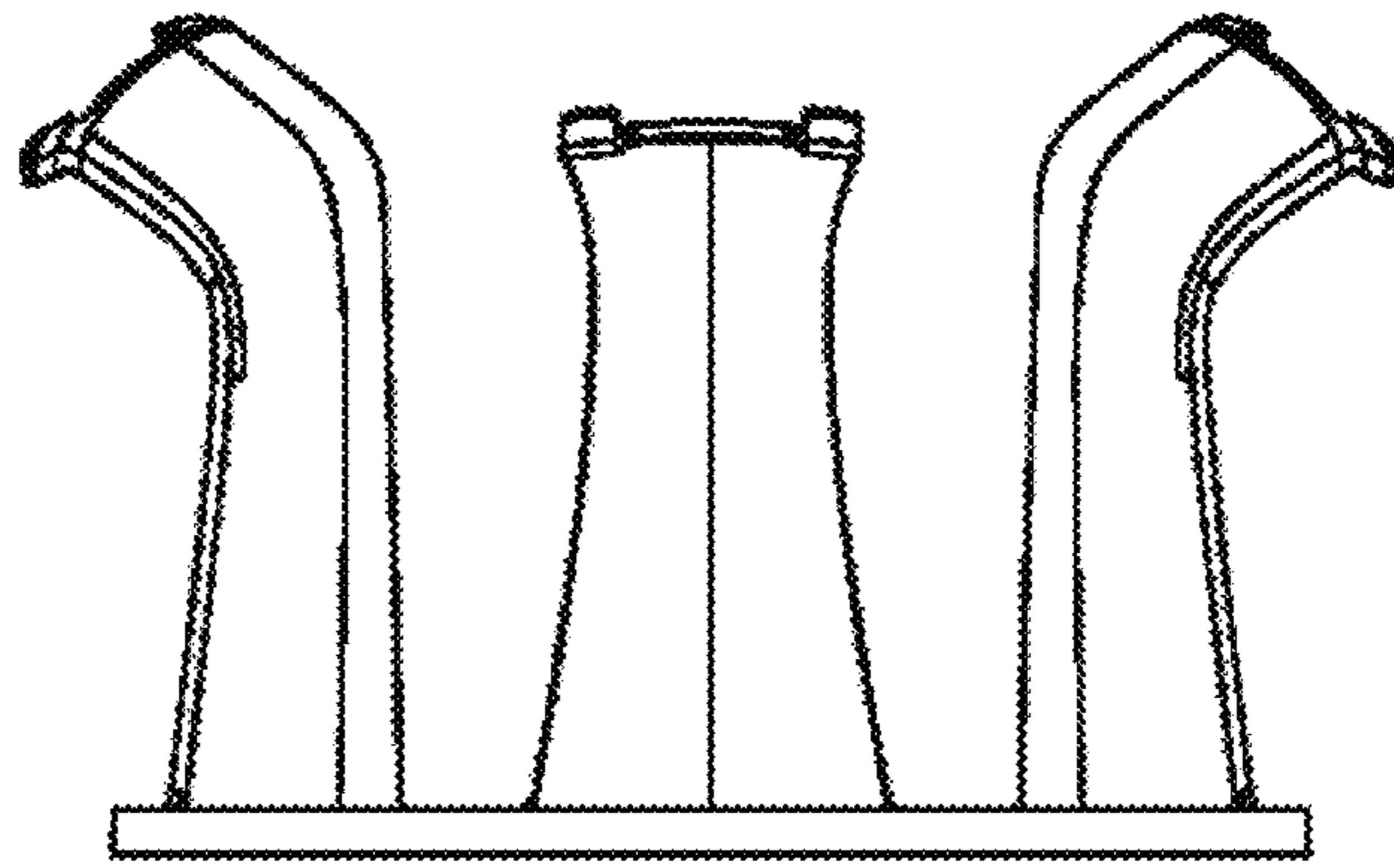
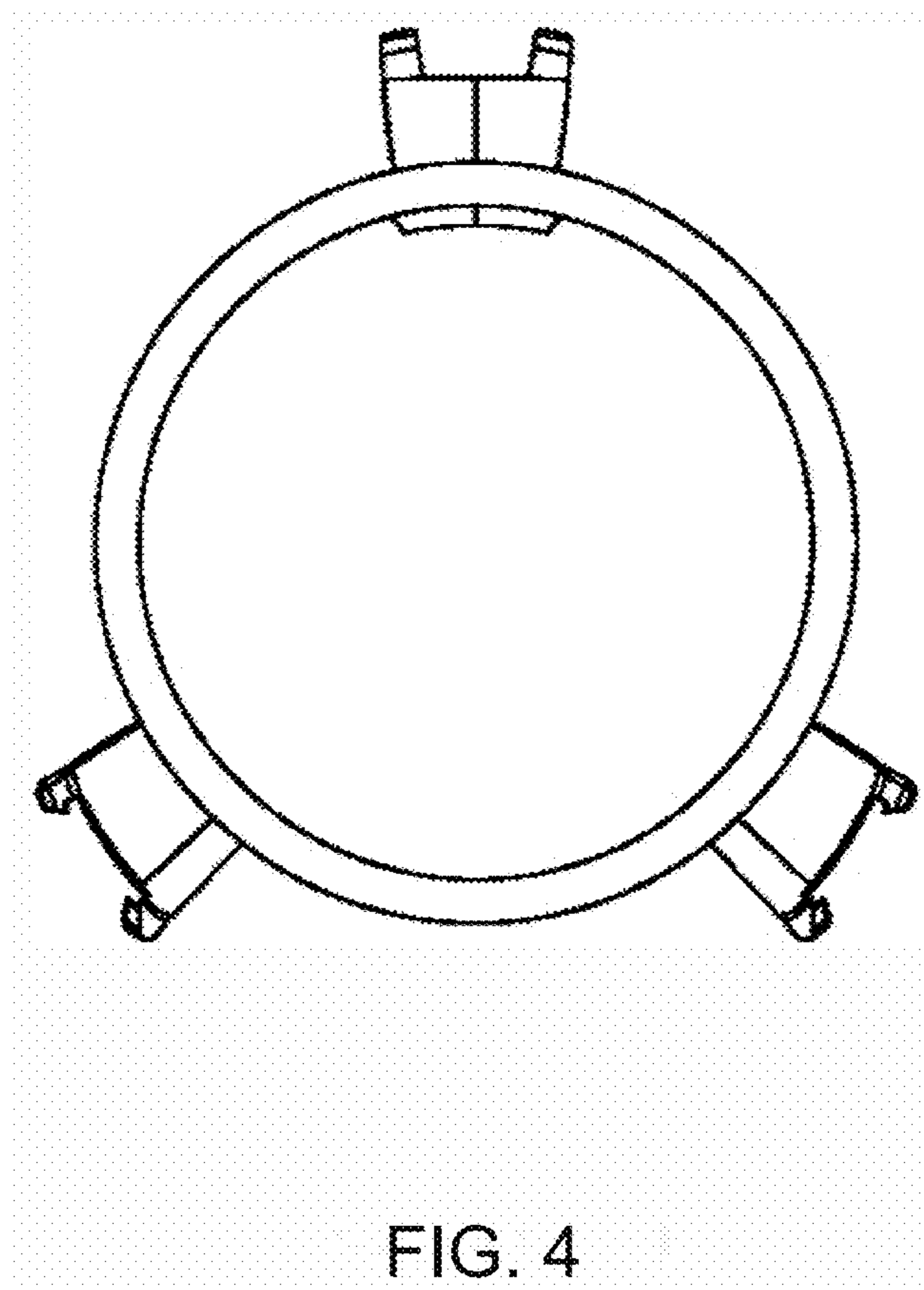


FIG. 3



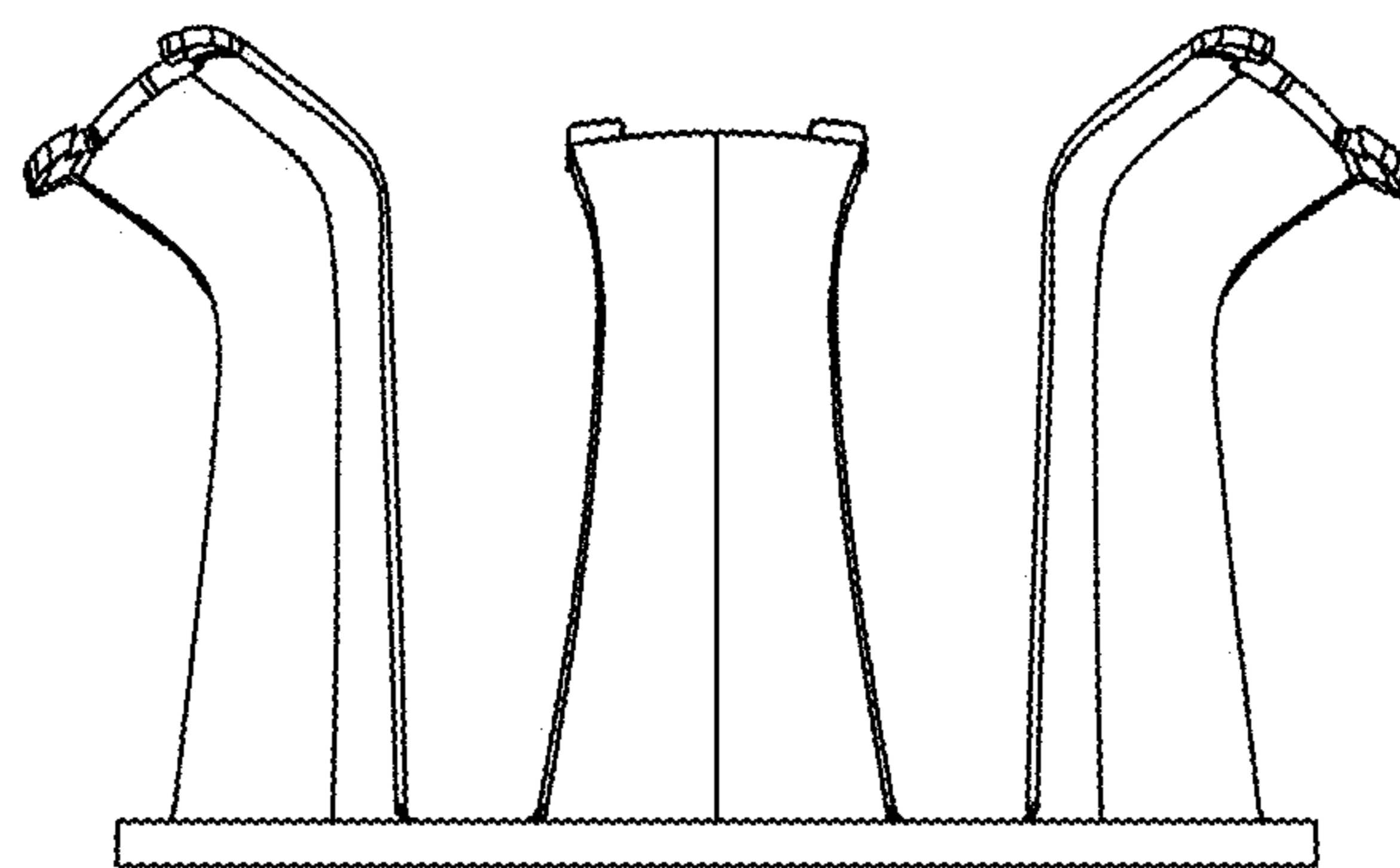


FIG. 5