



US00D934034S

(12) **United States Design Patent**  
**Cavanaugh**

(10) **Patent No.:** **US D934,034 S**  
(45) **Date of Patent:** **\*\* Oct. 26, 2021**

(54) **COOLER**

FOREIGN PATENT DOCUMENTS

(71) Applicant: **Come Ready Foods LLC**, Wexford, PA  
(US)

AU 2013270455 5/2016  
BR 302019002378-0001 8/2019

(Continued)

(72) Inventor: **Patrick T. Cavanaugh**, Wexford, PA  
(US)

OTHER PUBLICATIONS

(73) Assignee: **Come Ready Foods LLC**, Wexford, PA  
(US)

Rubbermaid 5 Gal Beverage Cooler; <https://www.msdirect.com/product/details/76014521>.

(Continued)

(\*\*) Term: **15 Years**

*Primary Examiner* — Terry A Wallace

(21) Appl. No.: **29/771,687**

(74) *Attorney, Agent, or Firm* — Clark Hill PLC

(22) Filed: **Feb. 24, 2021**

(57) **CLAIM**

(51) **LOC (13) Cl.** ..... **07-01**

The ornamental design for a cooler, as shown and described.

(52) **U.S. Cl.**  
USPC ..... **D7/608; D7/313**

**DESCRIPTION**

(58) **Field of Classification Search**  
USPC ..... D7/605–608, 306, 313; D9/502, 530,  
D9/538, 541, 556, 559, 569  
CPC ..... F25D 3/08; F25D 3/06; F25D 2331/806;  
B67D 3/00; B67D 3/0061; B67D 3/0009;  
B67D 2210/00; B67D 2210/00068; B67D  
2210/00128; B65D 25/48; B65D 25/40  
See application file for complete search history.

FIG. 1 is a front perspective view of a cooler showing our new design.  
FIG. 2 is a back perspective view thereof;  
FIG. 3 is left side view thereof;  
FIG. 4 is a right side view thereof;  
FIG. 5 is a back side view thereof;  
FIG. 6 is a front side view thereof;  
FIG. 7 is a top side view thereof;  
FIG. 8 is a bottom side view thereof;  
FIG. 9 is a topside perspective view of a lid of the cooler shown in the foregoing figures;  
FIG. 10 is an underside perspective view of the lid of the cooler shown in the foregoing figures; and,  
FIG. 11 is a front perspective view of the cooler shown in the foregoing drawings, without the lid.

(56) **References Cited**

U.S. PATENT DOCUMENTS

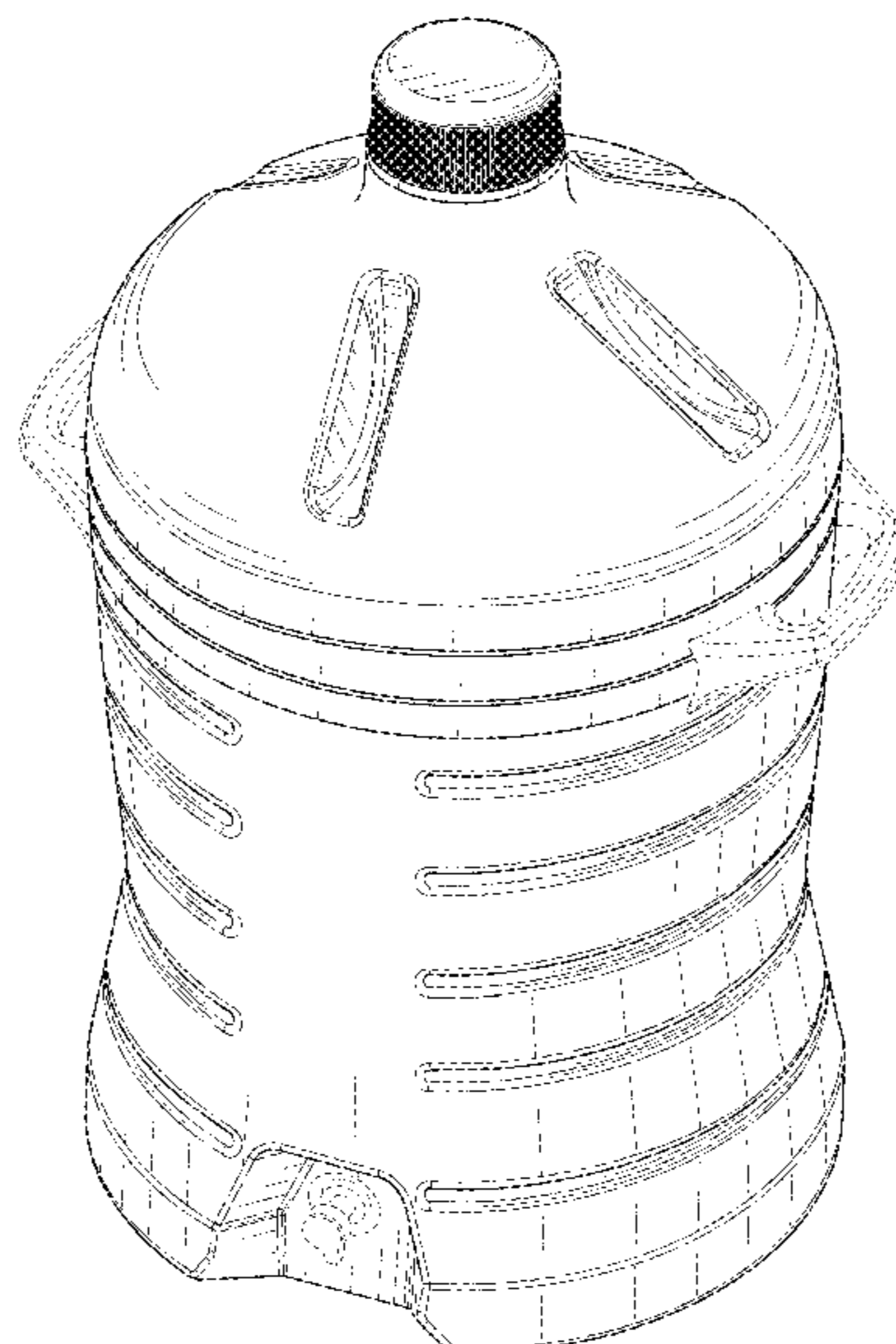
2,117,276 A \* 5/1938 Davis ..... A47J 41/0072  
215/13.1  
2,620,945 A 12/1952 Becker  
5,328,050 A \* 7/1994 Hyatt ..... B67D 3/0022  
220/506  
D419,822 S \* 2/2000 Woodyard ..... D7/306  
6,176,387 B1 \* 1/2001 Boler ..... F25D 3/06  
220/23.88  
D477,230 S 7/2003 Takaichi  
7,051,890 B2 5/2006 Onoda

The evenly-dashed broken lines in the drawings illustrate the portions of the cooler that form no part of the claimed design.

The lid and cooler are shown separately in FIGS. 9-11 for clarity of illustration.

(Continued)

**1 Claim, 10 Drawing Sheets**





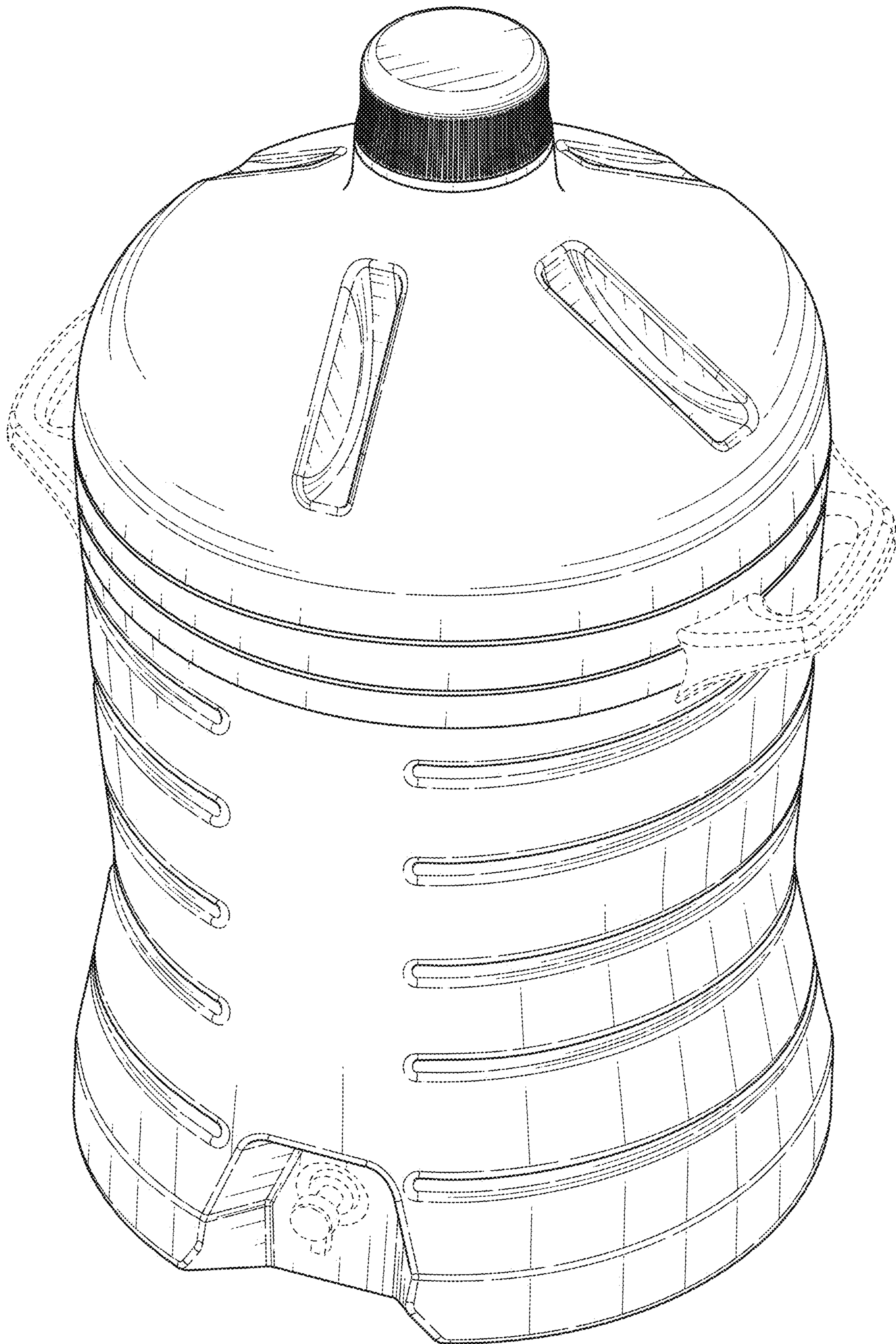


FIG. 1

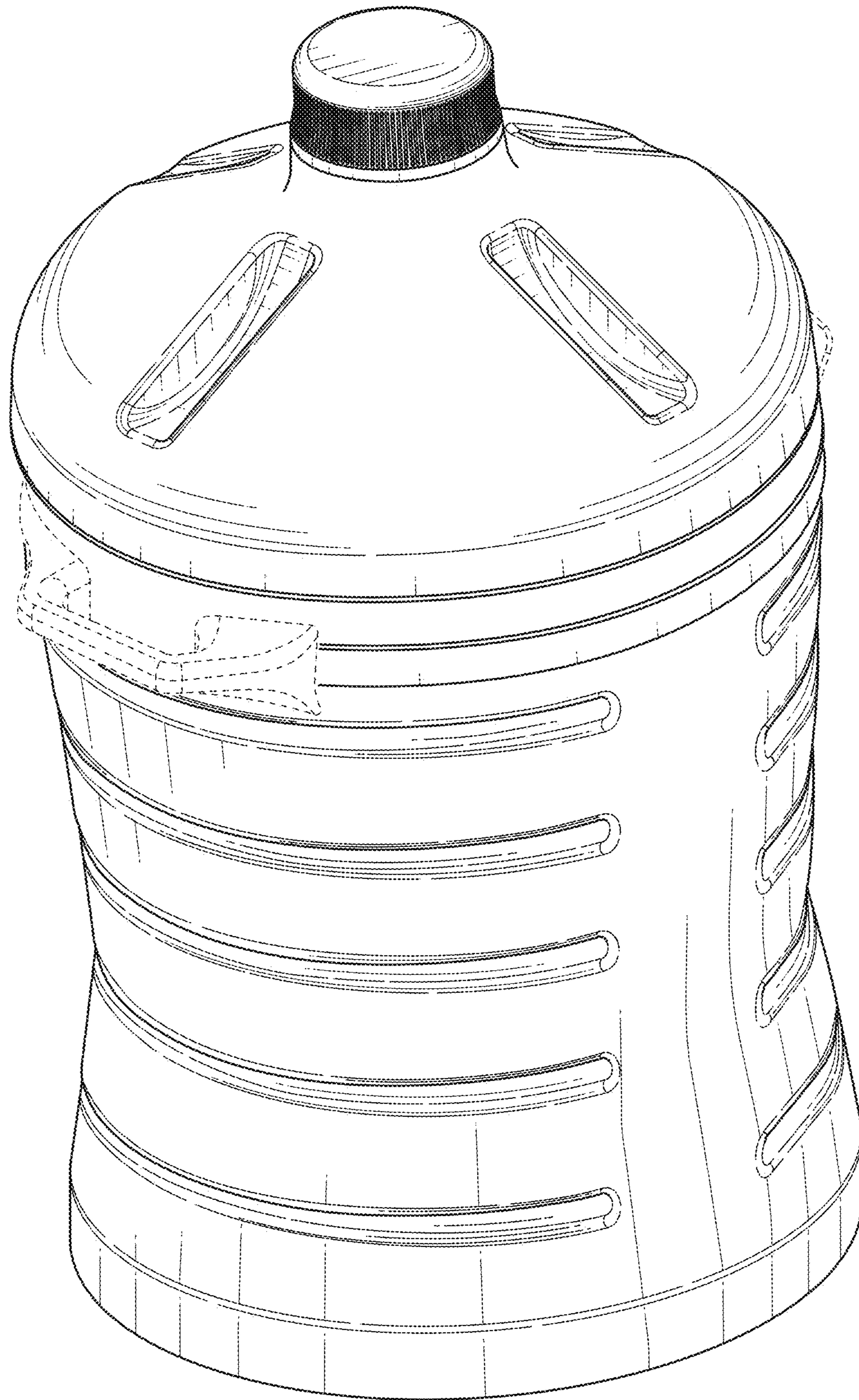


FIG. 2

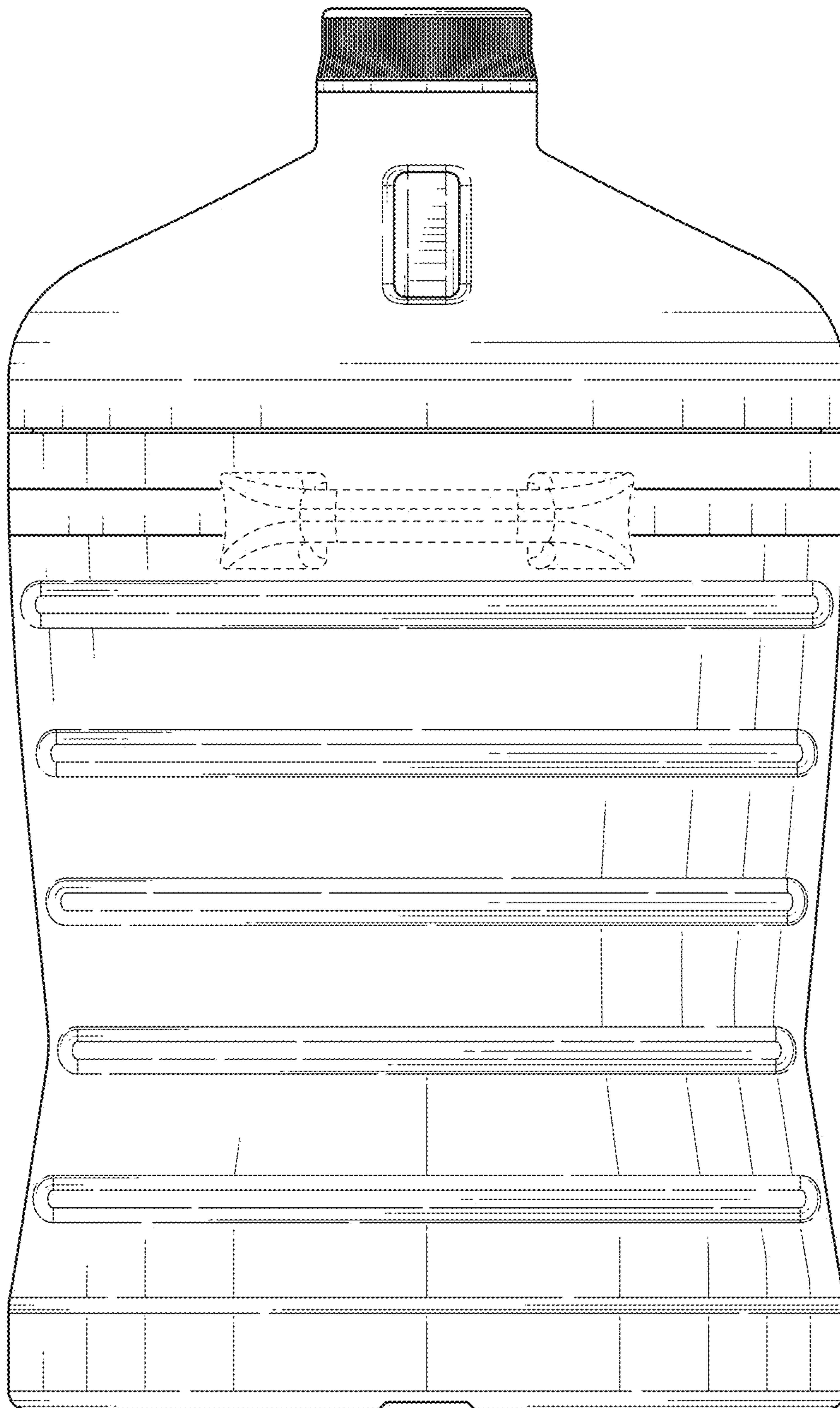


FIG. 3

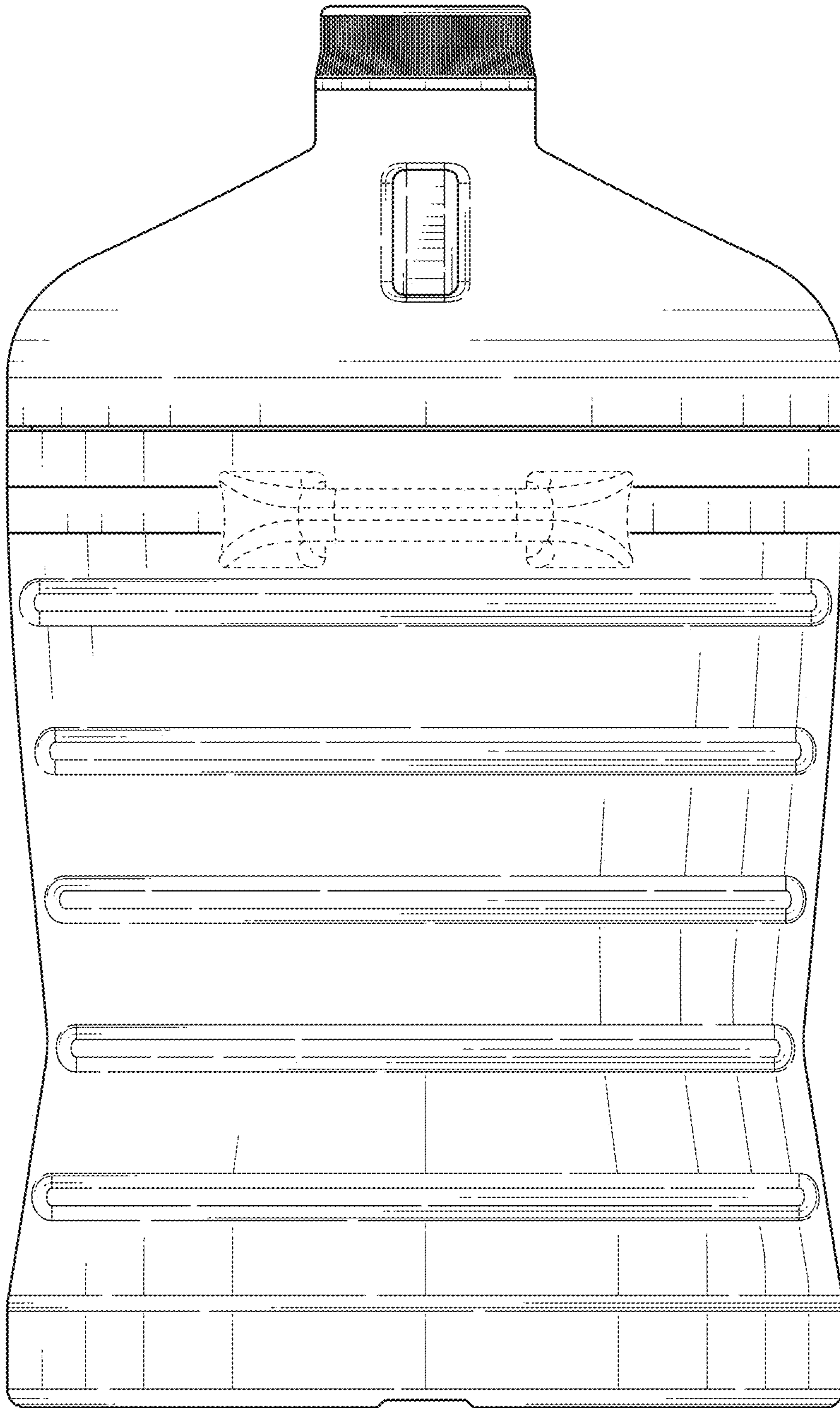


FIG. 4

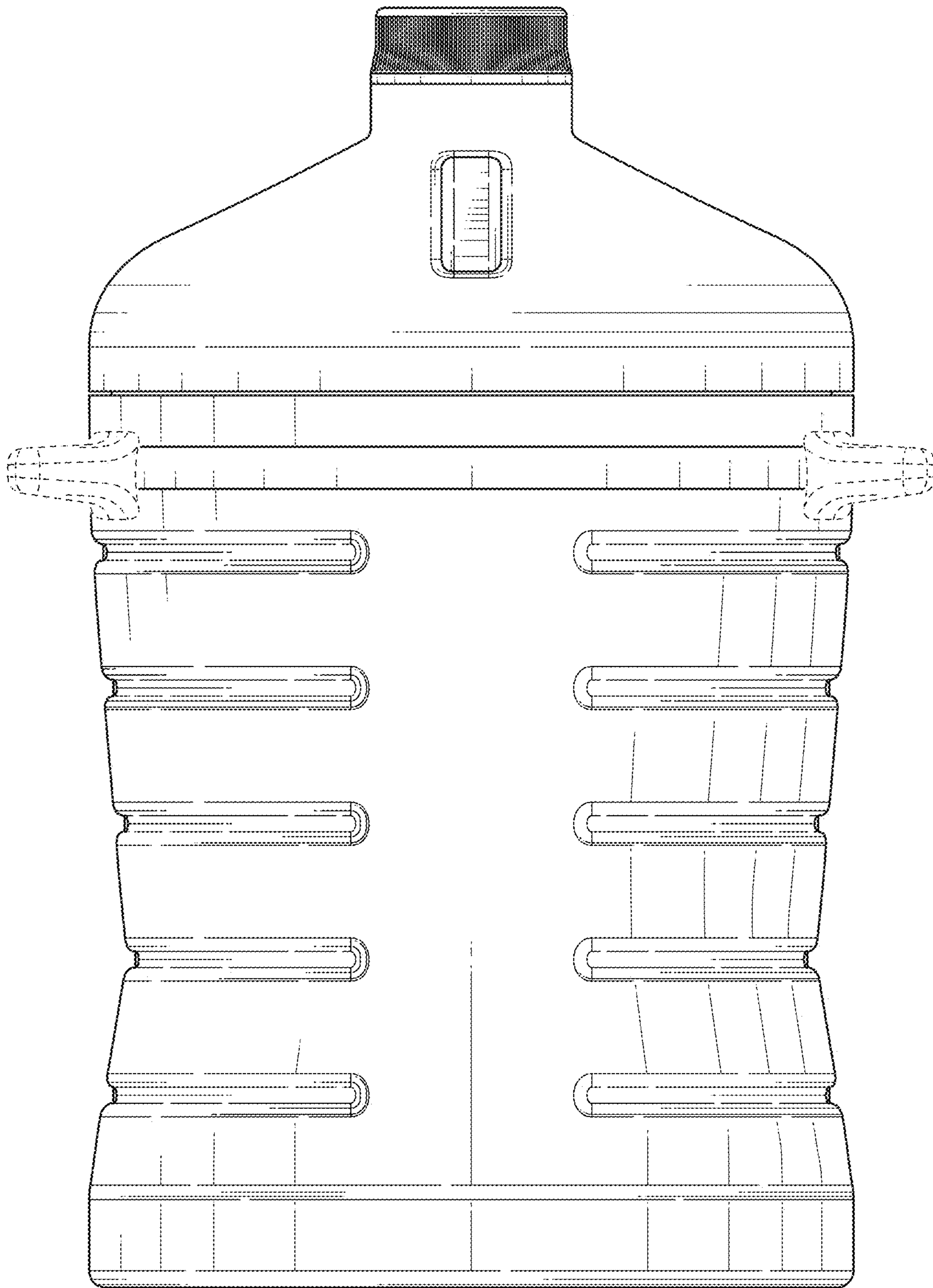


FIG. 5

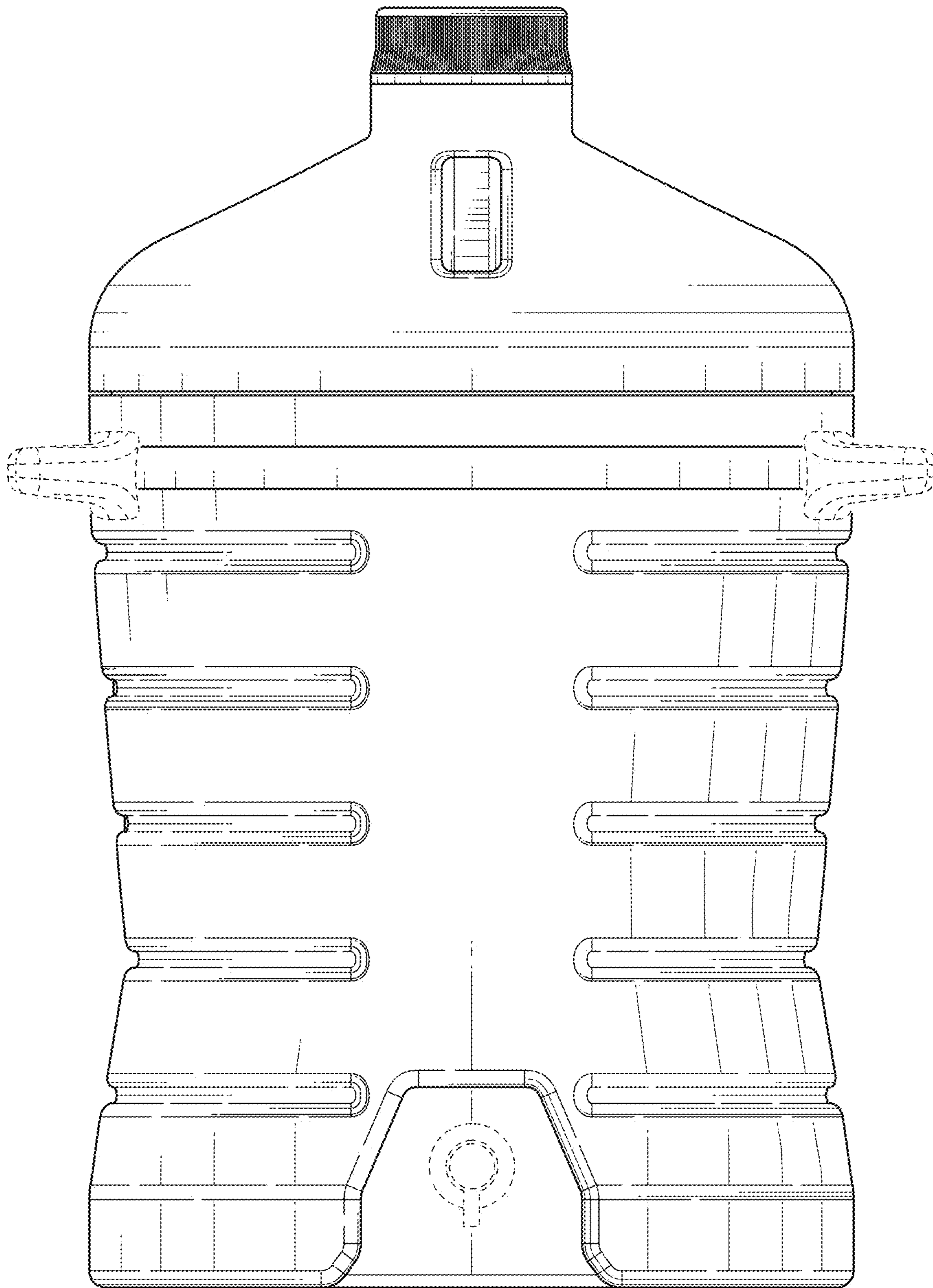


FIG. 6



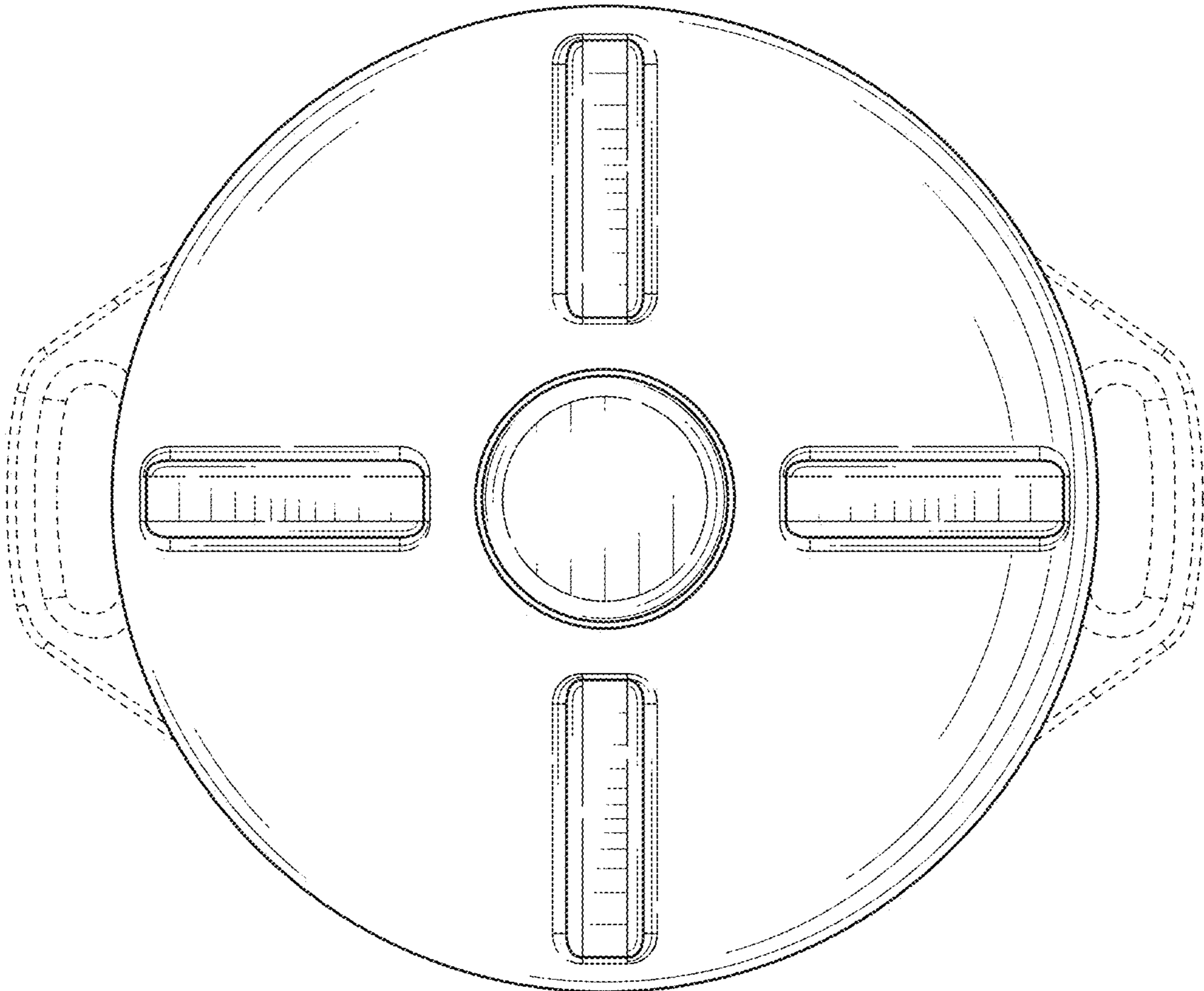


FIG. 7

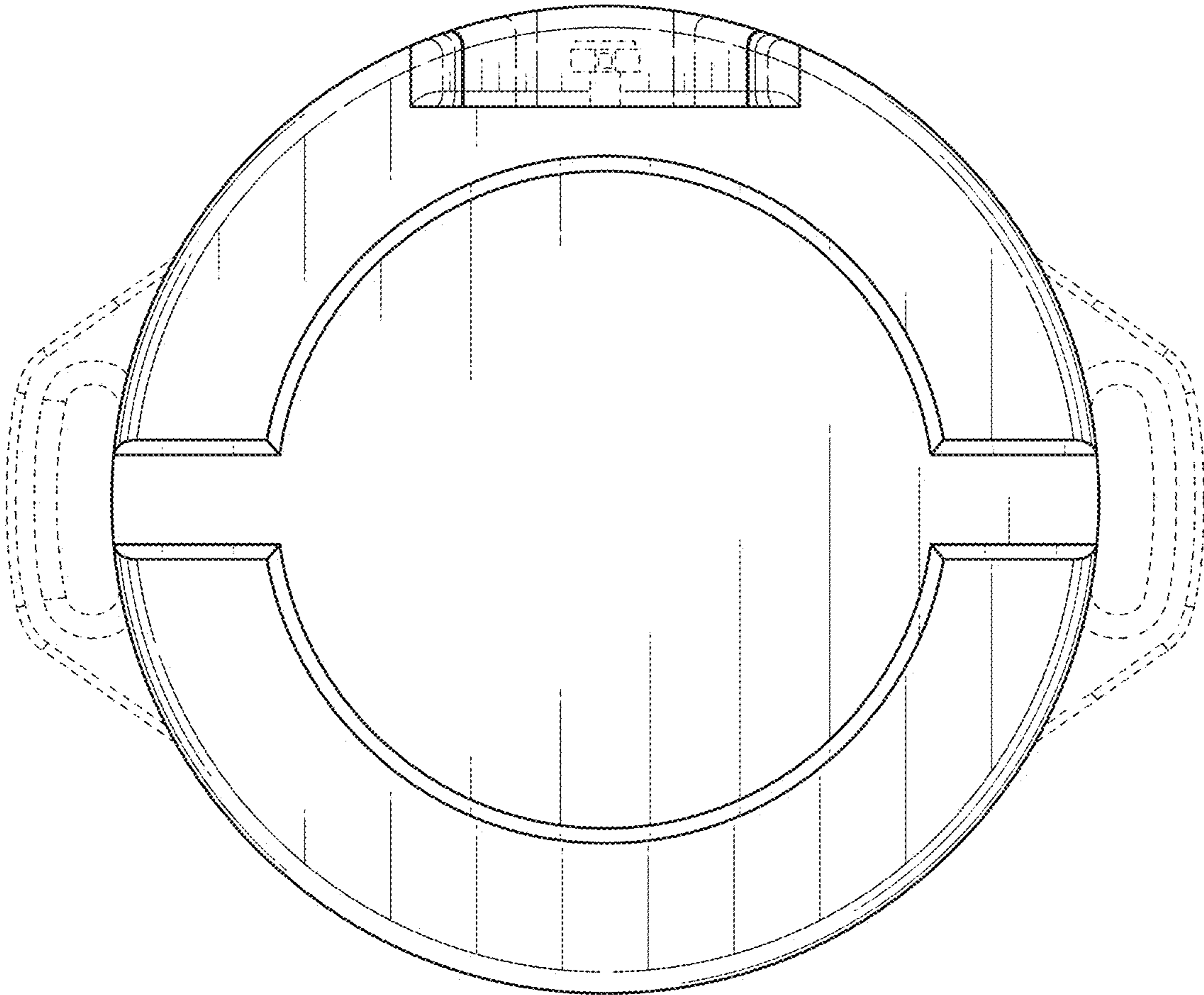


FIG. 8

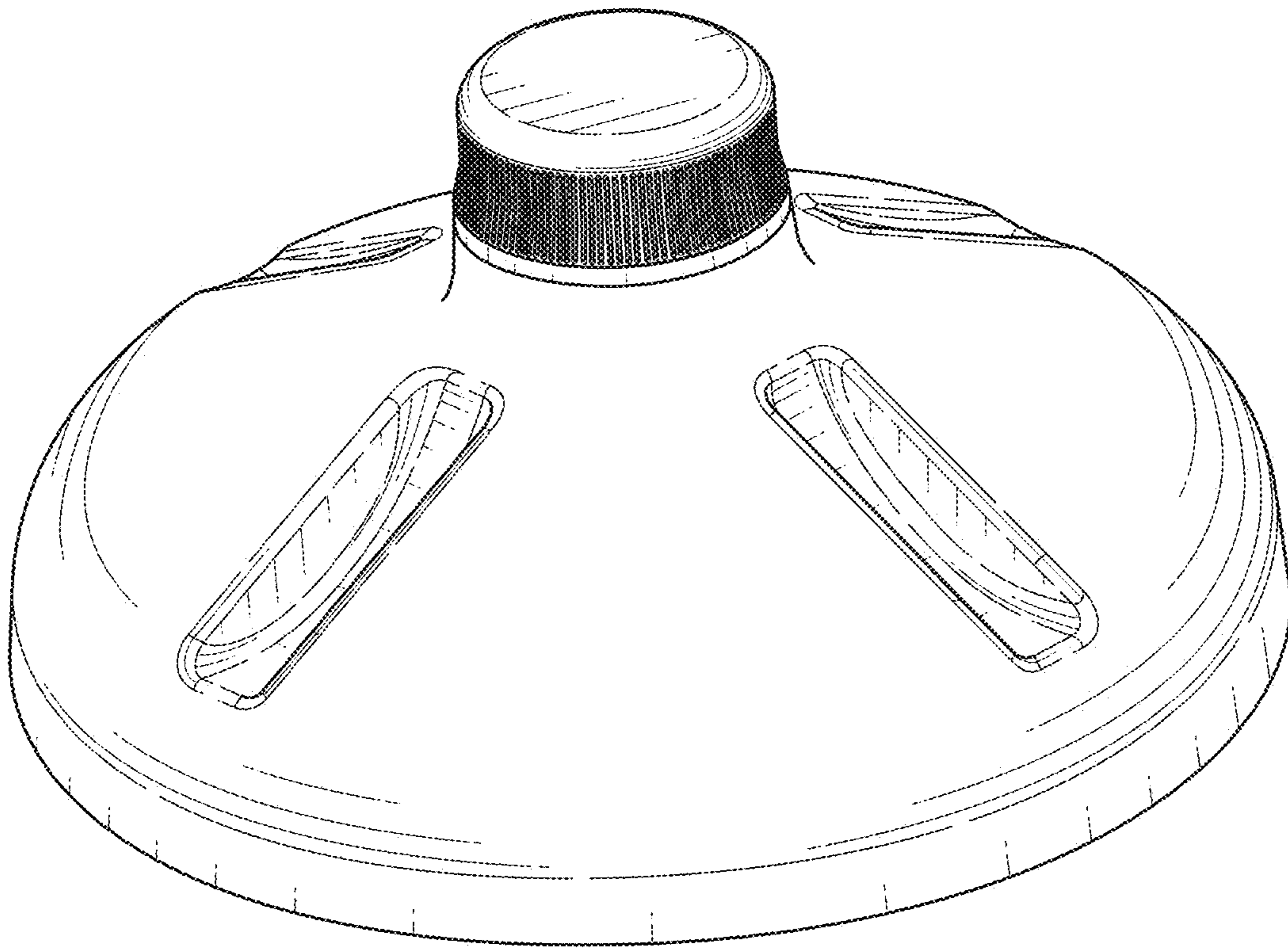


FIG. 9

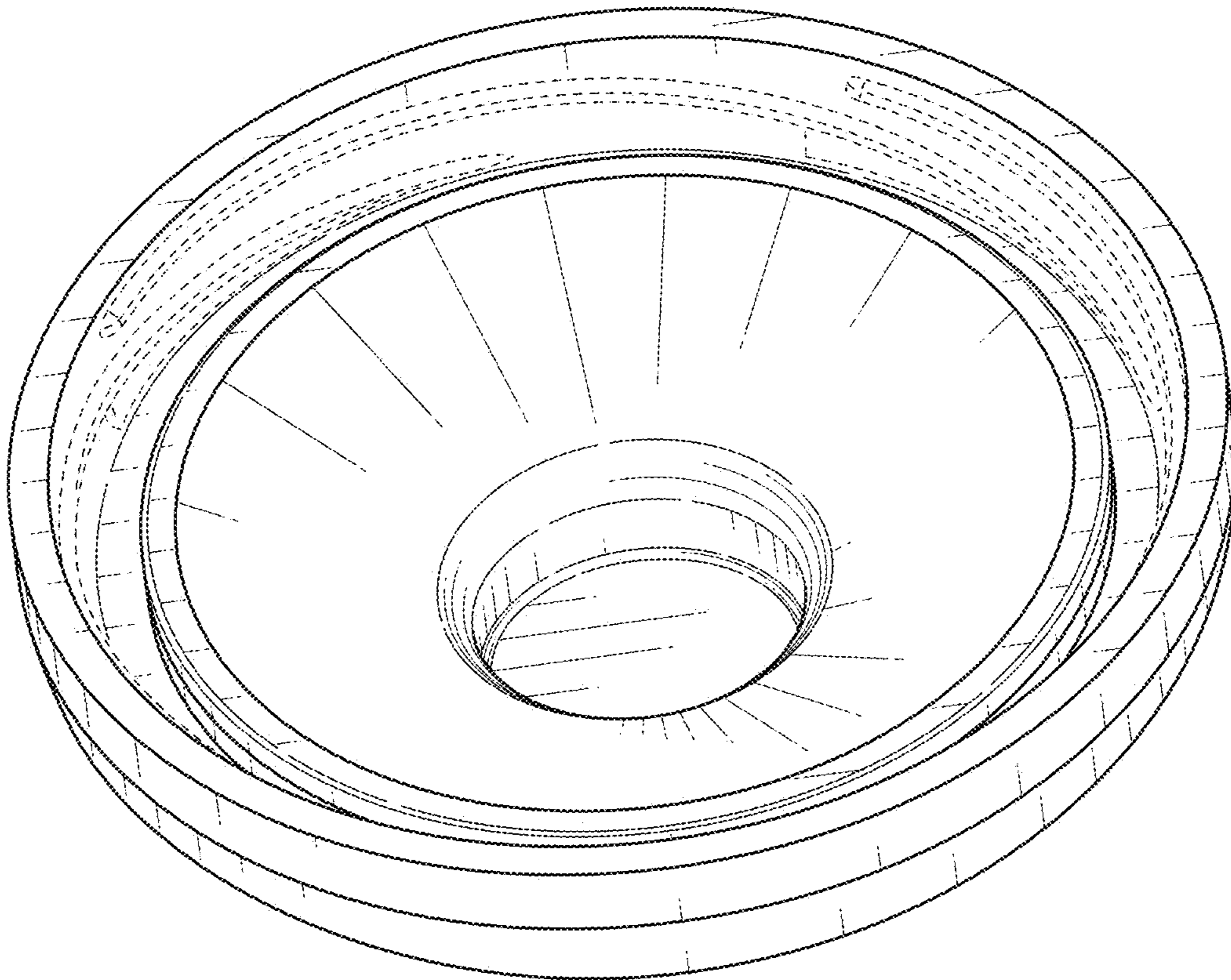


FIG. 10

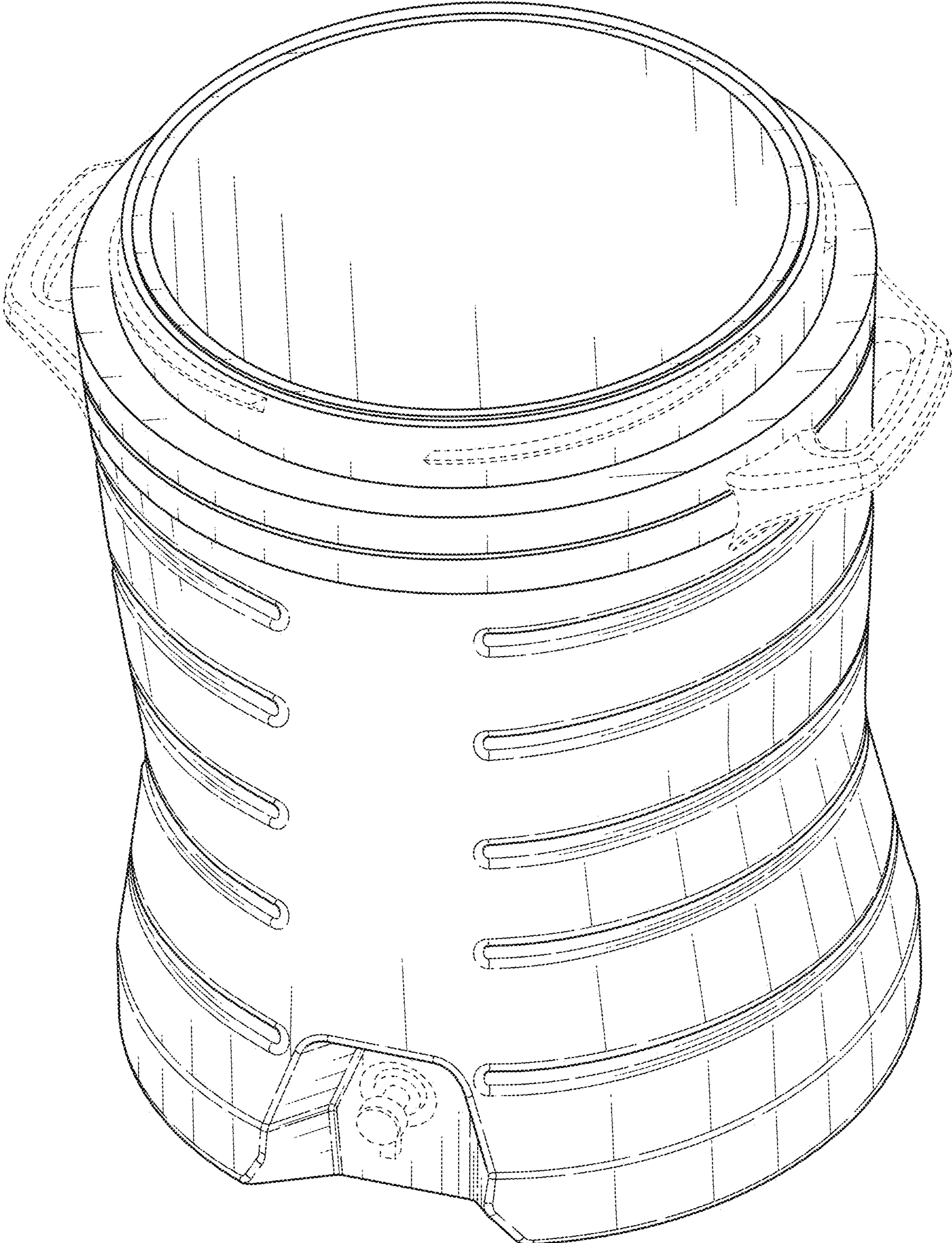


FIG. 11