



US00D934033S

(12) **United States Design Patent** (10) **Patent No.:** **US D934,033 S**  
**Seiders et al.** (45) **Date of Patent:** **\*\* Oct. 26, 2021**

(54) **JUG**

FOREIGN PATENT DOCUMENTS

(71) Applicant: **YETI Coolers, LLC**, Austin, TX (US)

CN 201019201 Y 2/2008  
CN 300984030 8/2009

(72) Inventors: **Roy Joseph Seiders**, Austin, TX (US);  
**John Alan Tolman**, Austin, TX (US);  
**Steve Charles Nichols**, Austin, TX (US)

(Continued)

OTHER PUBLICATIONS

(73) Assignee: **YETI Coolers, LLC**, Austin, TX (US)

United States District Court Western District of Texas, Austin Division, "Complaint for Damages and Injunctive Relief tor: (1)-(12) Patent Infringement in Violation of 35 U.S.C. § 271; and (13) Breach of Contract", *YETI Coolers, LLC v. RTIC Outdoors, LLC; and Corporate Support & Fulfillment, LLC*, Case 1:21-cv-00214, filed Mar. 5, 2021, 338 pages.

(\*\*) Term: **15 Years**

(Continued)

(21) Appl. No.: **29/756,142**

(22) Filed: **Oct. 26, 2020**

*Primary Examiner* — Terry A Wallace

**Related U.S. Application Data**

(74) *Attorney, Agent, or Firm* — Banner & Witcoff, Ltd.

(63) Continuation of application No. 29/725,024, filed on Feb. 21, 2020, now Pat. No. Des. 899,871, which is (Continued)

(51) **LOC (13) Cl.** ..... **07-01**

(57) **CLAIM**

(52) **U.S. Cl.**

The ornamental design for a jug, as shown and described.

USPC ..... **D7/608**

**DESCRIPTION**

(58) **Field of Classification Search**

USPC ..... D7/603–608, 509–511; D9/500–505, D9/443, 516, 532, 522, 558  
CPC ..... A47G 19/2205; A47G 19/2294; A47G 19/23; A47G 19/2272; F25D 3/08; F25D 2331/803; B65D 1/0215; B65D 81/3823; B65D 81/3818; B65D 81/3846; B65D 81/3837; B65D 81/3839; B65D 81/3841; B65D 81/3844; B65D 81/3869; B65D

(Continued)

FIG. 1 is a top, front, left perspective view of a jug showing our new design;  
FIG. 2 is a front view thereof;  
FIG. 3 is a rear view thereof;  
FIG. 4 is a right side view thereof;  
FIG. 5 is a left side view thereof;  
FIG. 6 is a top view thereof; and,  
FIG. 7 is a bottom view thereof.

The pairs of jagged lines are shown broken away to disclose indeterminate length, the portions of the design that may be visible between such jagged lines have been removed for clarity and the remaining even-length broken lines are directed to environment only, none of the even-length broken lines form a part of the claimed design.

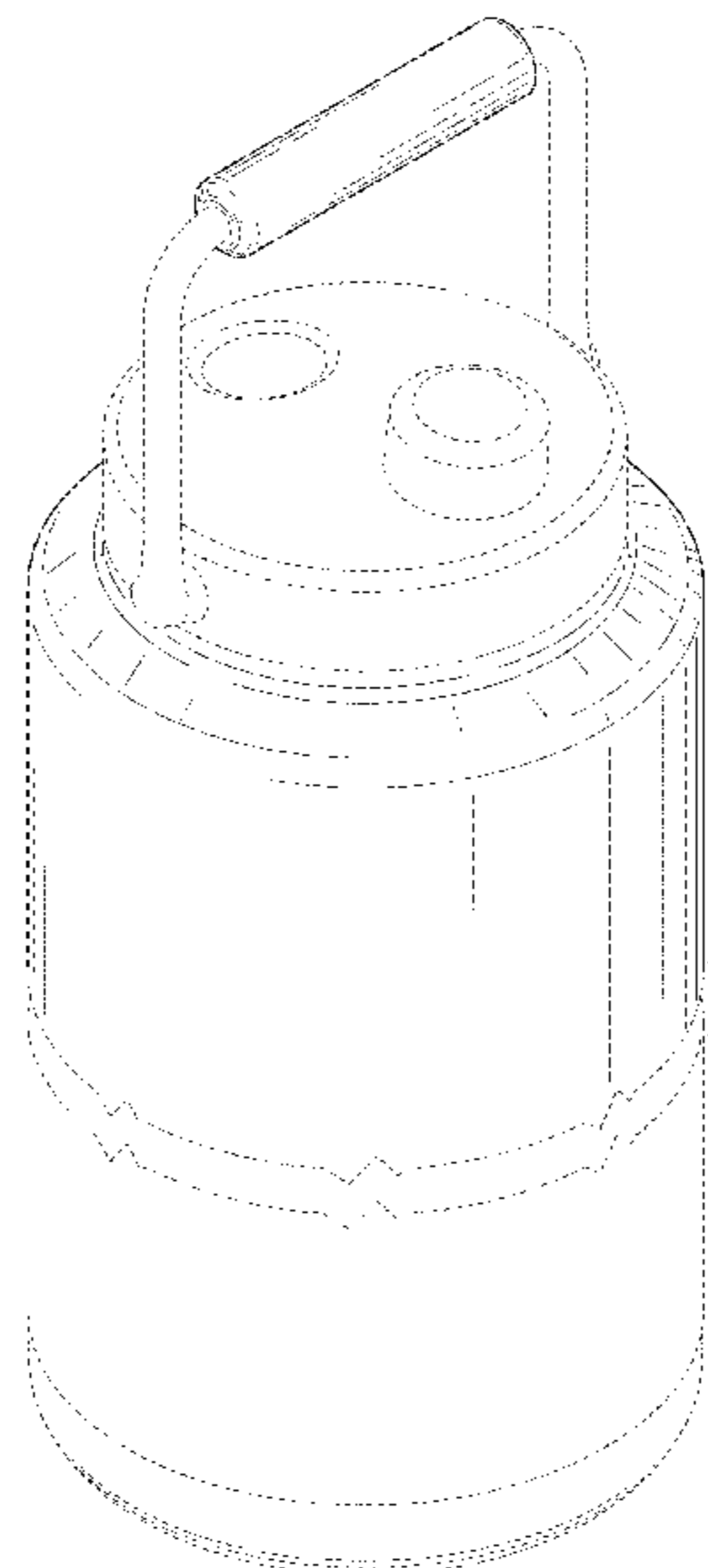
(56) **References Cited**

**U.S. PATENT DOCUMENTS**

2,881,776 A 4/1959 Wrage  
3,307,752 A 3/1967 Anderson

(Continued)

**1 Claim, 6 Drawing Sheets**



**Related U.S. Application Data**

a continuation of application No. 29/658,518, filed on Jul. 31, 2018, now Pat. No. Des. 876,905, which is a continuation of application No. 29/605,807, filed on May 30, 2017, now Pat. No. Des. 824,217, which is a continuation of application No. 29/546,291, filed on Nov. 20, 2015, now Pat. No. Des. 787,893.

(58) **Field of Classification Search**

CPC ... 81/3881; B65D 81/3876; A47J 41/02; A47J 41/022; A47J 41/024; A47J 41/026; A47J 41/028; A47J 41/00; A47J 41/0077; A47J 41/0005; A47J 41/0083; A45C 11/20

See application file for complete search history.

(56) **References Cited**

U.S. PATENT DOCUMENTS

3,456,840	A	7/1969	McAlaster	
D248,373	S *	7/1978	Allen	D7/511
4,190,173	A	2/1980	Mason et al.	
D384,280	S	9/1997	Kuczer	
6,651,838	B2	11/2003	Bissell	
D511,457	S	11/2005	Biesecker et al.	
D530,141	S *	10/2006	Wilgus	D7/313
D549,444	S *	8/2007	Schnackenberg	D3/202
D574,237	S	8/2008	Yates, III	
D643,693	S *	8/2011	Jama	D7/624.2
D671,372	S *	11/2012	Zou	D7/608
D678,729	S *	3/2013	Peeters	D7/608
D690,987	S	10/2013	Gallen	
8,550,269	B2	10/2013	Lane	
D702,506	S *	4/2014	Mettler	D7/608
D717,601	S	11/2014	Dixon	
8,905,252	B2	12/2014	Latham et al.	
D724,385	S *	3/2015	Hurley	D7/511
D738,670	S	9/2015	Sands	
9,272,822	B2	3/2016	Samartgis	
D758,791	S	6/2016	Hanna et al.	
D762,418	S	8/2016	Sorensen et al.	
D764,916	S	8/2016	Mount, III et al.	
D786,012	S	5/2017	Hein et al.	
D787,893	S	5/2017	Seiders et al.	
D795,008	S	8/2017	Eyal	
D802,994	S	11/2017	Seiders et al.	
D814,852	S	4/2018	Melanson et al.	
D818,775	S	5/2018	Woodruff	
2014/0069917	A1	3/2014	Meyers et al.	
2016/0318693	A1	11/2016	Hein et al.	
2017/0043916	A1	2/2017	Seiders et al.	

FOREIGN PATENT DOCUMENTS

CN	201349991	Y	11/2009
CN	201640878	U	11/2010
CN	201777557	U	3/2011
CN	202086330	U	12/2011
CN	301888124	S	4/2012
CN	302228747	S	12/2012
CN	202981686	U	6/2013
CN	203127394	U	8/2013
CN	203207847	U	9/2013
CN	103619723	A	3/2014
CN	303176279	S	4/2015
CN	303413115	S	10/2015
CN	303748684	S	7/2016
CN	304025064	S	2/2017

DE	69509827	T2	10/1999
FR	2830848	A1	4/2003
JP	2000333847	A	12/2000
JP	2011093544	A	5/2011
KR	20100008131	A	1/2010
KR	30-0847946		4/2016

OTHER PUBLICATIONS

Jan. 29, 2021 (CN) Chinese Evaluation Report app No. 201930169002.7.

'First Look: YETI Rambler One Gallon 'Jug' Review'. Found online Jun. 12, 2017 at gearjunkie.com. Page dated May 2, 2017. Retrieved from <https://gearjunkie.com/yeti-rambler-one-gallon-jug-review>.

"Lifefactory Water Bottle with Flip Cap". Found online Oct. 26, 2016 at amazon.com. Page dated Jan. 21, 2012. Retrieved from [https://www.amazon.com/Lifefactory-22-Ounce-BPA-Free-Bottle-Silicone/dp/B01JHJYOI/ref=pd\\_day0\\_79\\_22?\\_encoding=UTF8&refRID=YW47QZQ73YFSYXXEHXG2](https://www.amazon.com/Lifefactory-22-Ounce-BPA-Free-Bottle-Silicone/dp/B01JHJYOI/ref=pd_day0_79_22?_encoding=UTF8&refRID=YW47QZQ73YFSYXXEHXG2).

"Igloo Sport Beverage Cooler". Found online Jun. 7, 2017 at amazon.com. Page dated Mar. 9, 2013. Retrieved from [https://www.amazon.com/Igloo-Beverage-Cooler-Majestic-2-Gallon/dp/B0088AYPOG/ref=cm\\_cr\\_ar\\_p\\_d\\_product\\_top?ie=UTF8](https://www.amazon.com/Igloo-Beverage-Cooler-Majestic-2-Gallon/dp/B0088AYPOG/ref=cm_cr_ar_p_d_product_top?ie=UTF8).

"Klear Loop Cap Hangle Lids for Klear Bottle and Hydro Flask". Found online Jun. 7, 2017 at amazon.com. Page dated Jul. 4, 2016. Retrieved from [https://www.amazon.com/Klear-Handle-Bottle-Hydro-Flask/dp/B01EXKSRLQ/ref=cm\\_cr\\_ar\\_p\\_d\\_product\\_top?ie=UTF8](https://www.amazon.com/Klear-Handle-Bottle-Hydro-Flask/dp/B01EXKSRLQ/ref=cm_cr_ar_p_d_product_top?ie=UTF8).

YETI Rambler Vacuum Insulated Stainless Steel One Gallon Jug with MagCap. Found online 06/12/20177 at amazon.com. Page dated May 30, 2017. Retrieved from <https://www.amazon.com/YETI-Rambler-Vacuum-Insulated-Stainless/dp/B071HTJ4Q8>.

"Klean Kanteen Stainless Unibody Bamboo Cap". Found online Jun. 12, 2018 at amazon.com. Page dated Sep. 10, 2012. Retrieved from [https://www.amazon.com/Klean-Kanteen-Stainless-Unibody-Bamboo/dp/B0083F0SDI/ref=cm\\_cr\\_ar\\_p\\_d\\_product\\_top?ie=UTF8](https://www.amazon.com/Klean-Kanteen-Stainless-Unibody-Bamboo/dp/B0083F0SDI/ref=cm_cr_ar_p_d_product_top?ie=UTF8).

"Takeya ThermoFlask". Found online Jun. 9, 2018 at amazon.com. Page dated Apr. 15, 2016. Retrieved from [https://www.amazon.com/Takeya-ThermoFlask-Pack-Back-Silver/dp/B01D7NIOWW/ref=cm\\_cr\\_ar\\_p\\_d\\_product\\_top?ie=UTF8](https://www.amazon.com/Takeya-ThermoFlask-Pack-Back-Silver/dp/B01D7NIOWW/ref=cm_cr_ar_p_d_product_top?ie=UTF8).

"Twitter: h2go elevate and h2go inspire: same lid stlye, different body typw". Found online Jun. 12, 2018 at twitter.com. Page dated Jan. 21, 2015. Retrieved from <https://twitter.com/etsexpress/status/557997114589196288>.

Feb. 11, 2019—(CN) Office Action—App. No. 201680059619.7.

Jul. 15, 2019—(CN) Office Action—App. No. 201680059619.7.

Dec. 4, 2019—(CN) Examination Report—App. No. 201680059619.7.

May 19, 2020—(CN) Office Action—App. No. 201680059619.7.

Jan. 4, 2021—(CN) Fourth Office Action—App. No. 201680059619.7.

United States District Court Western District of Texas, Austin Division, "First Amended Complaint, 'Complaint for Damages and Injunctive Relief tor: (1)-(15) Patent Infringement in Violation of 35 U.S.C. § 271; and (16) Breach of Contract'", *YETI Coolers, LLC v. RTIC Outdoors, LLC; and Corporate Support & Fulfillment, LLC*, Case 121-cv-00214-RP, Document 10, filed Jun. 2, 2021, 39 pages. United States District Court Western Distnct of Texas, Austin Division, "Answer of Defendants RTIC Outdoors, LLC and Corporate Support & Fulfillment, LLC to YETI's Amended Complaint: (1)-(15) Patent Infringement in Violation of 35 U.S.C. § 271; and (16) Breach of Contract", *YETI Coolers, LLC v. RTIC Outdoors, LLC; and Corporate Support & Fulfillment, LLC*, Case 1:21-cv-00214-RP, Document 16, filed Jun. 17, 2021, 79 pages (See pp. 45, 46, 66-77 alleging invalidity).

\* cited by examiner

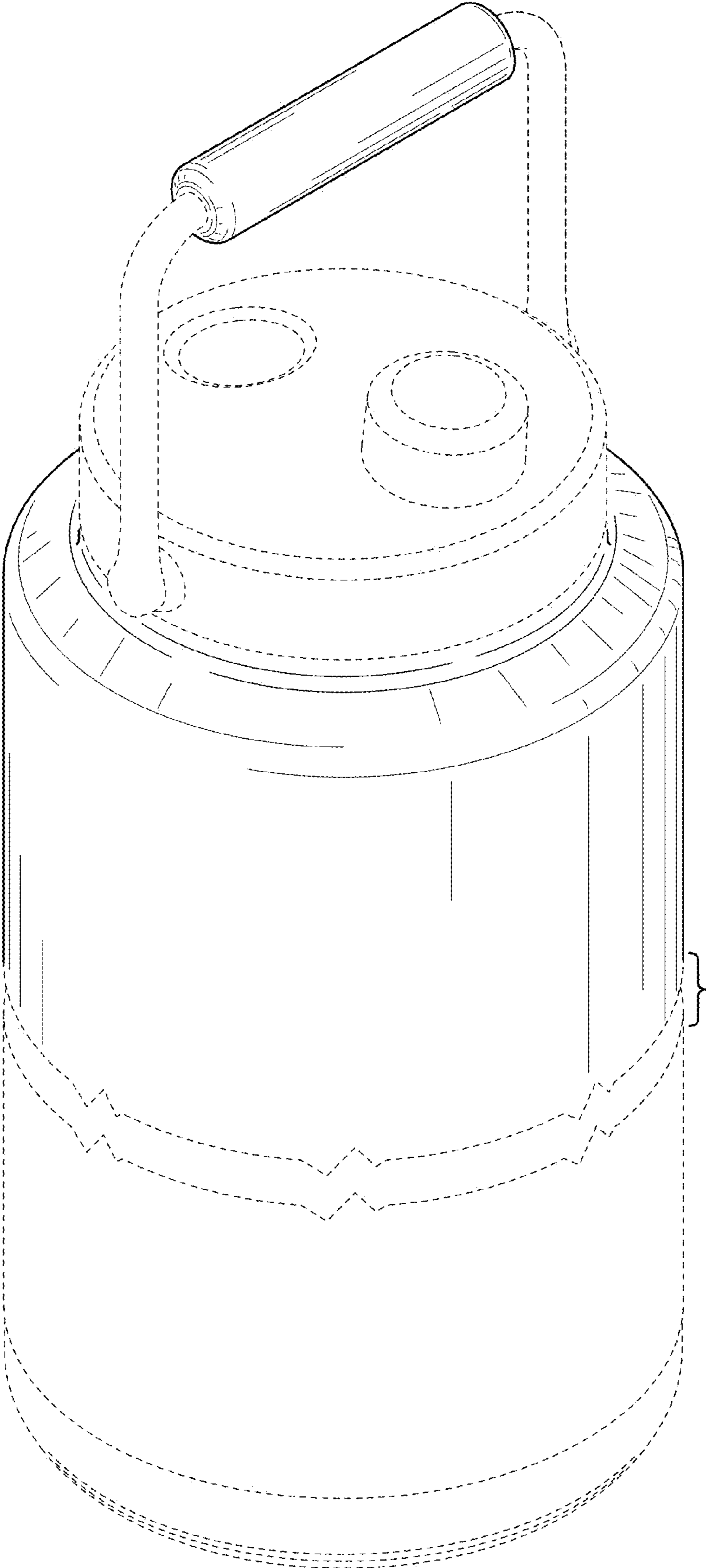


FIG. 1

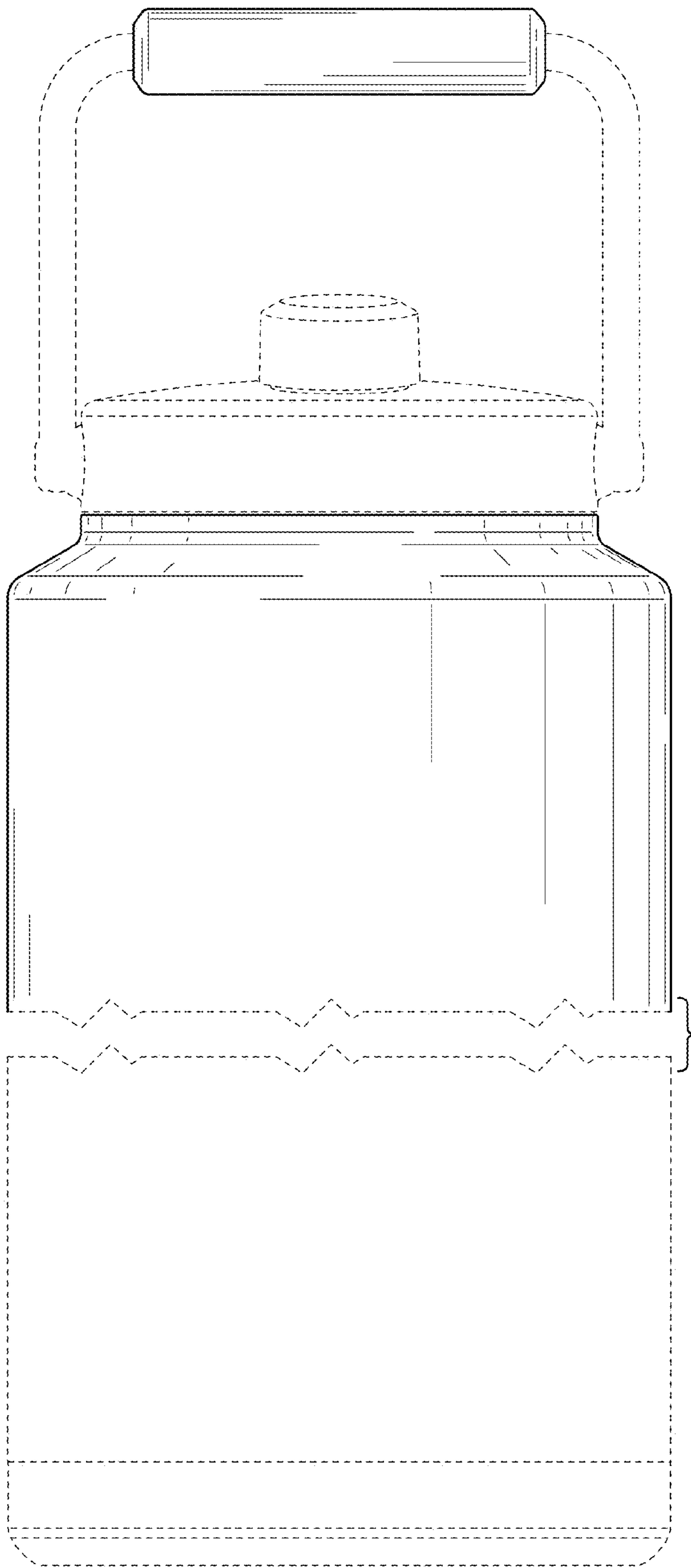


FIG. 2

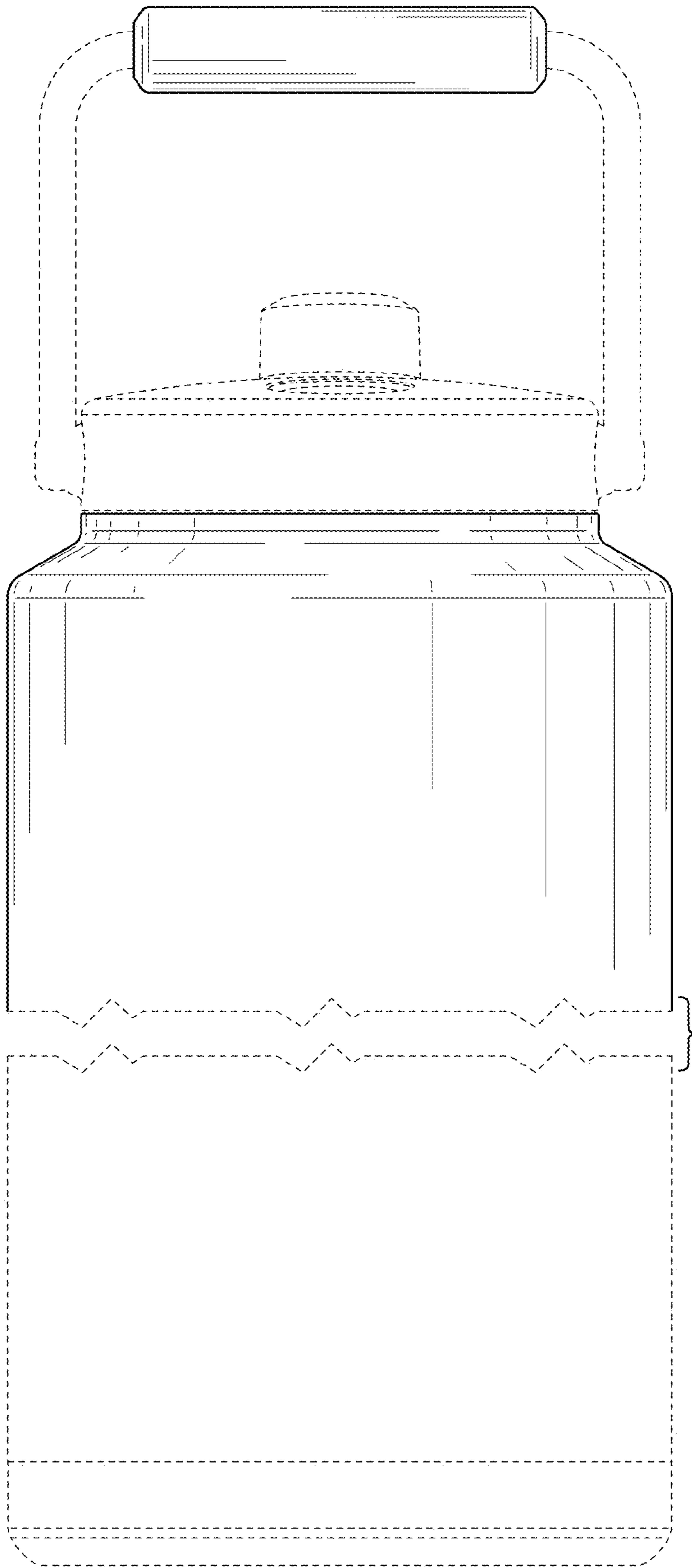


FIG. 3

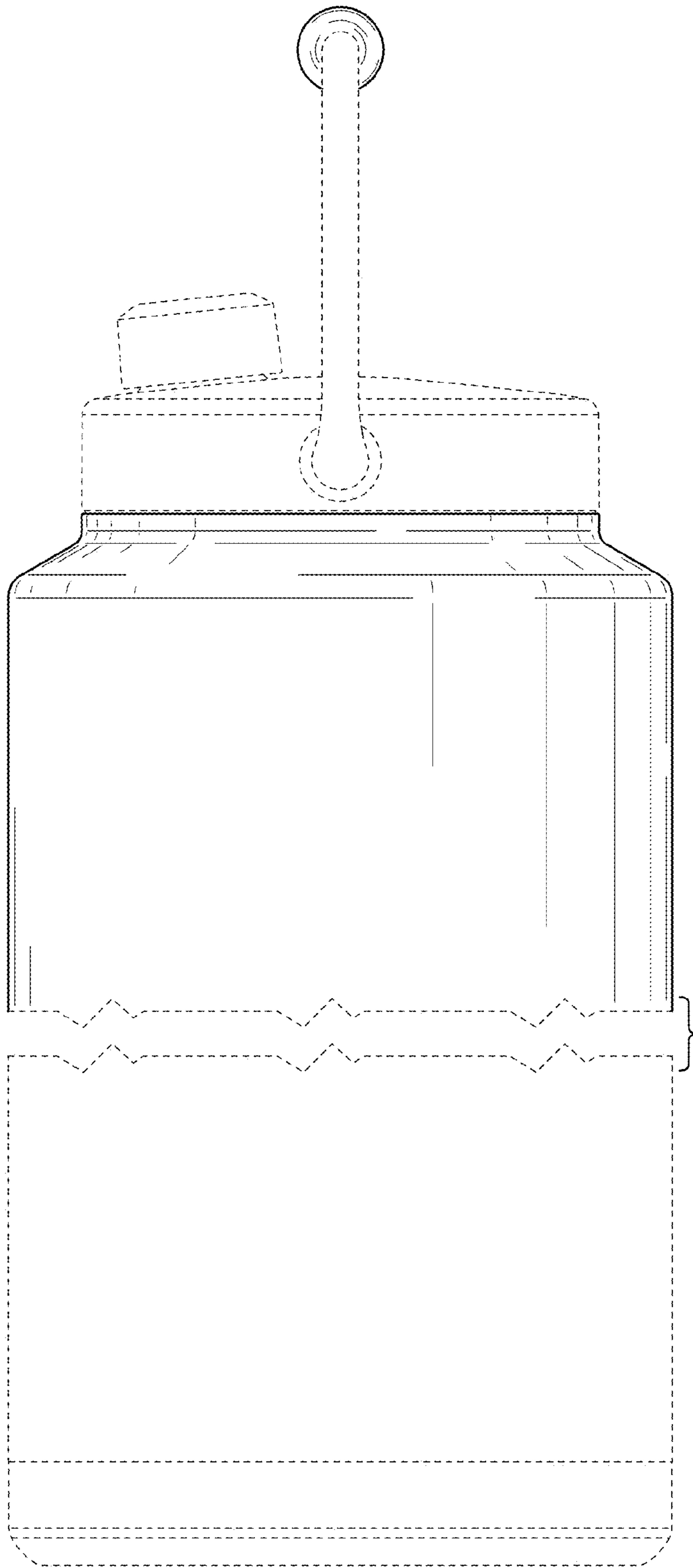


FIG. 4

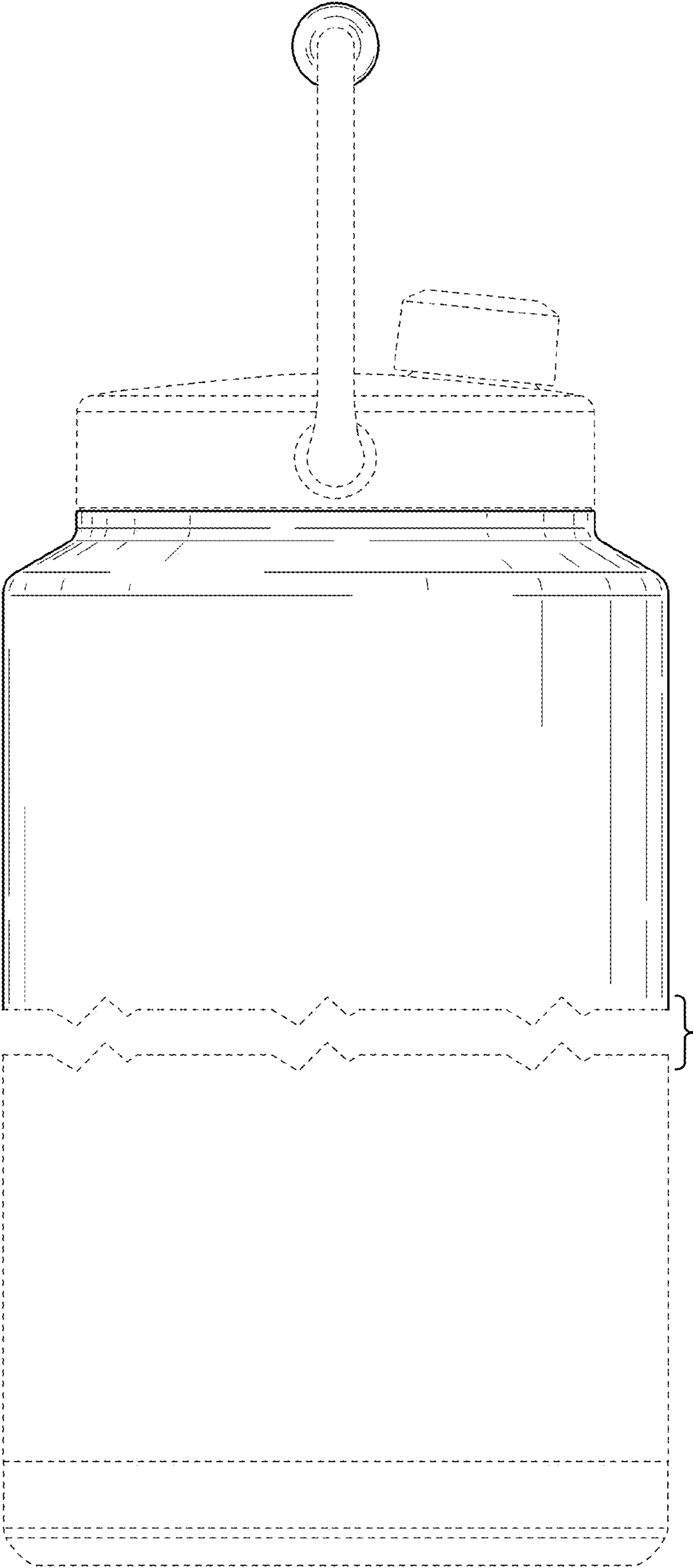


FIG. 5

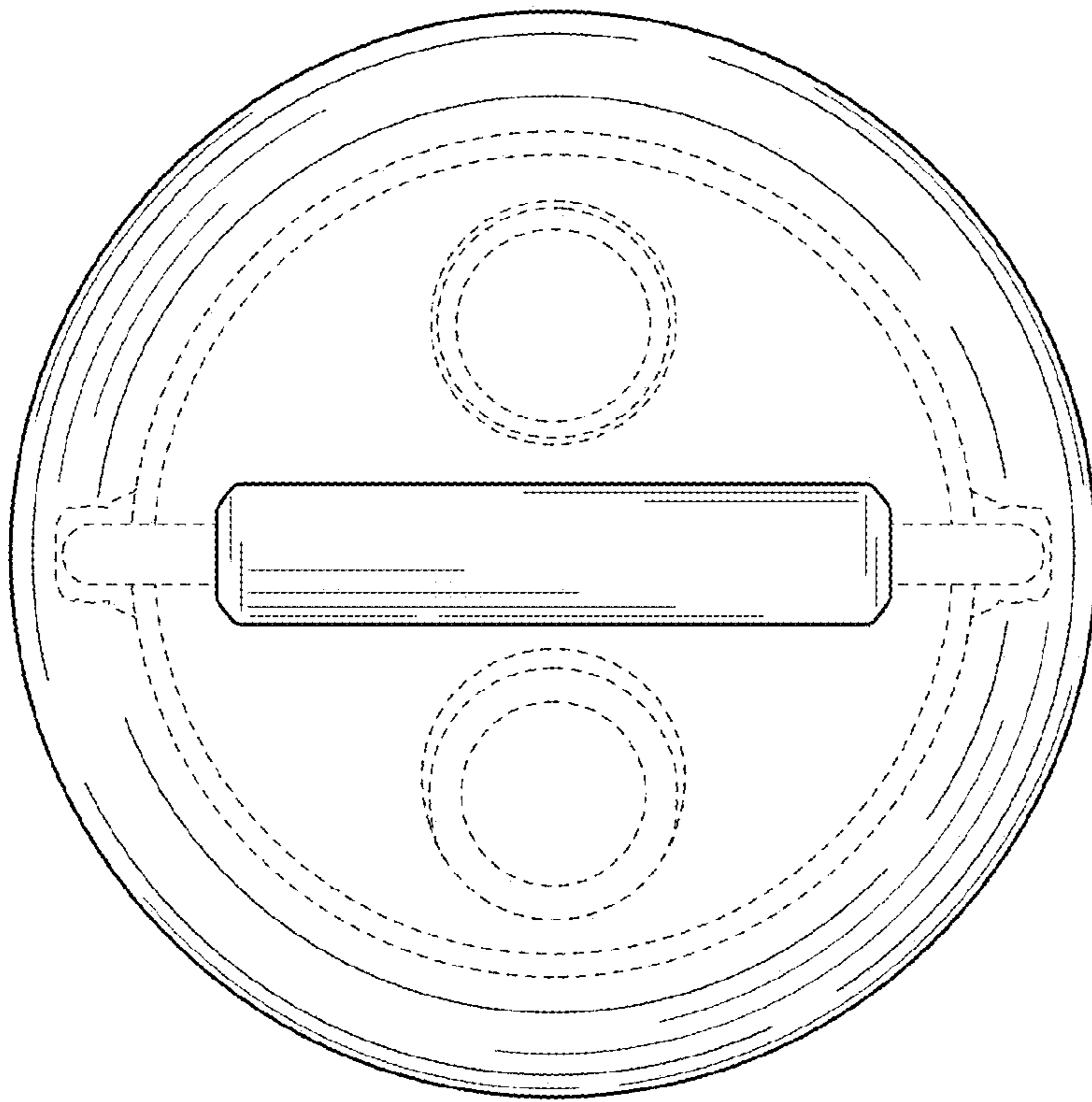


FIG. 6

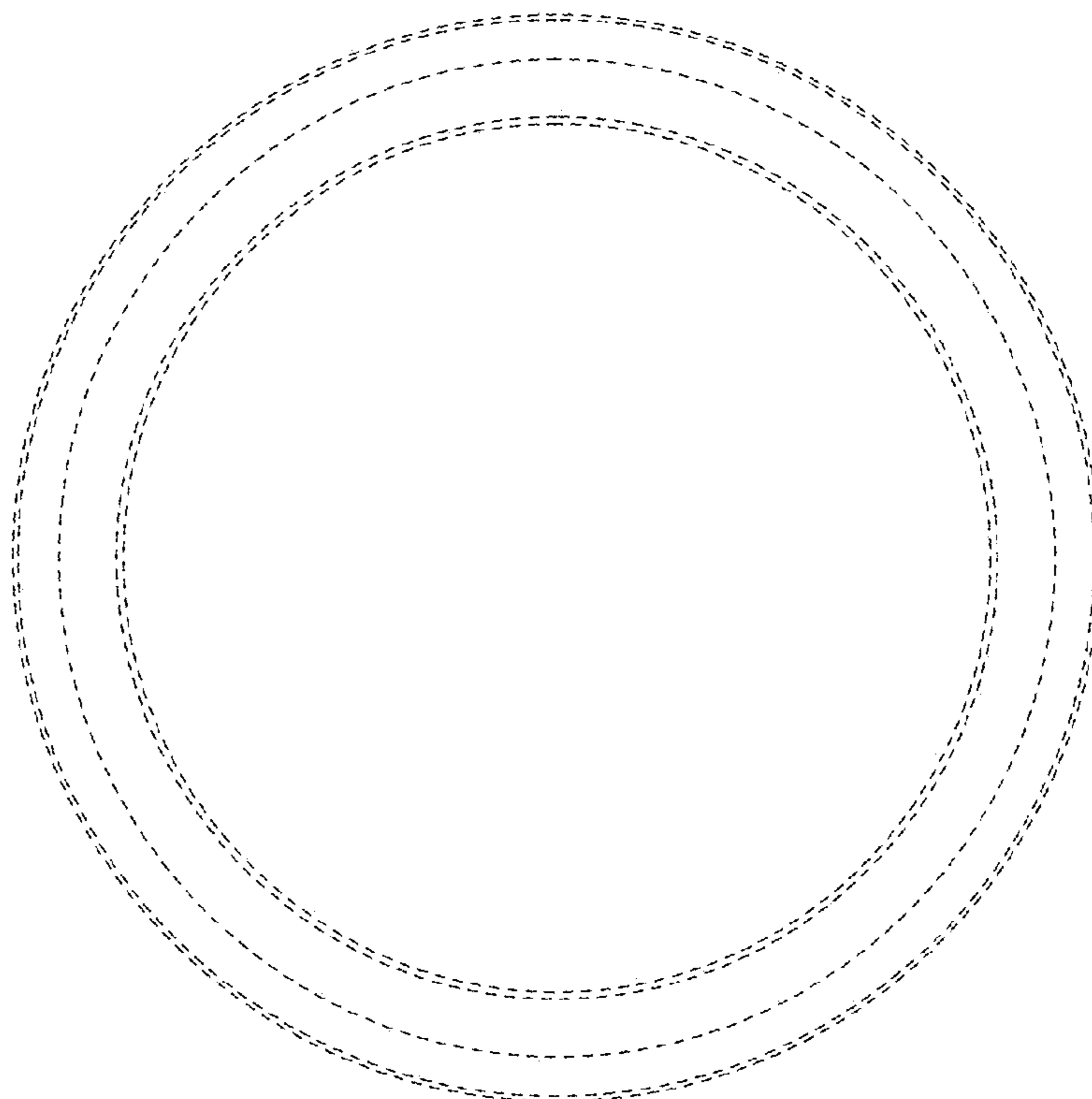


FIG. 7