



US00D934031S

(12) **United States Design Patent**
Li et al.

(10) **Patent No.:** **US D934,031 S**

(45) **Date of Patent:** **** Oct. 26, 2021**

(54) **TOTE BAG AND INSULATED COOLER COMBINATION**

(71) Applicant: **SHENZHEN QIANHAI JUNLIAN NETWORK TECHNOLOGY CO., LTD.**, Shenzhen (CN)

(72) Inventors: **Yan Li**, Shenzhen (CN); **Weijian Yuan**, Yichun (CN)

(73) Assignee: **SHENZHEN QIANHAI JUNLIAN NETWORK TECHNOLOGY CO., LTD.**, Shenzhen (CN)

(**) Term: **15 Years**

(21) Appl. No.: **29/689,423**

(22) Filed: **Apr. 30, 2019**

(51) **LOC (13) Cl.** **07-07**

(52) **U.S. Cl.**
USPC **D7/607; D3/202**

(58) **Field of Classification Search**
USPC D7/601, 602, 603, 605, 607, 624.2, 703;
D3/202
CPC B65D 77/24
See application file for complete search history.

(56) **References Cited**

U.S. PATENT DOCUMENTS

D281,546 S *	12/1985	Bradshaw	D3/276
D282,602 S *	2/1986	Allen	D3/287
D289,128 S *	4/1987	Bradshaw	D3/276
D397,273 S *	8/1998	Collie	D7/607
D465,134 S *	11/2002	Joss	D3/287
D478,782 S *	8/2003	Li	D7/607
D622,109 S *	8/2010	Hull	D7/630
D650,169 S *	12/2011	Klifa	D3/245
D732,899 S *	6/2015	Seiders	D7/607
D739,654 S *	9/2015	Brouard	D3/276
D760,494 S *	7/2016	Harvey-Pankey	D3/232

D764,791 S *	8/2016	Patel	D3/232
D785,325 S *	5/2017	Samrelius	D3/246
D787,187 S *	5/2017	Seiders	D3/318
D808,730 S *	1/2018	Sullivan	D7/607
D821,825 S *	7/2018	Sullivan	D7/607

(Continued)

OTHER PUBLICATIONS

Desert Cart website, Kuyou, Mesh Beach Cooler Tote Bag, Publication date unknown, [site visited Oct. 6, 2020], Available on the Internet URL <https://www.desertcart.us/products/205745991> (Year: 2020).*

Primary Examiner — Karen S Acker

Assistant Examiner — Steven B Reinholdt, Jr.

(74) *Attorney, Agent, or Firm* — Law Offices of Steven W. Weinrieb

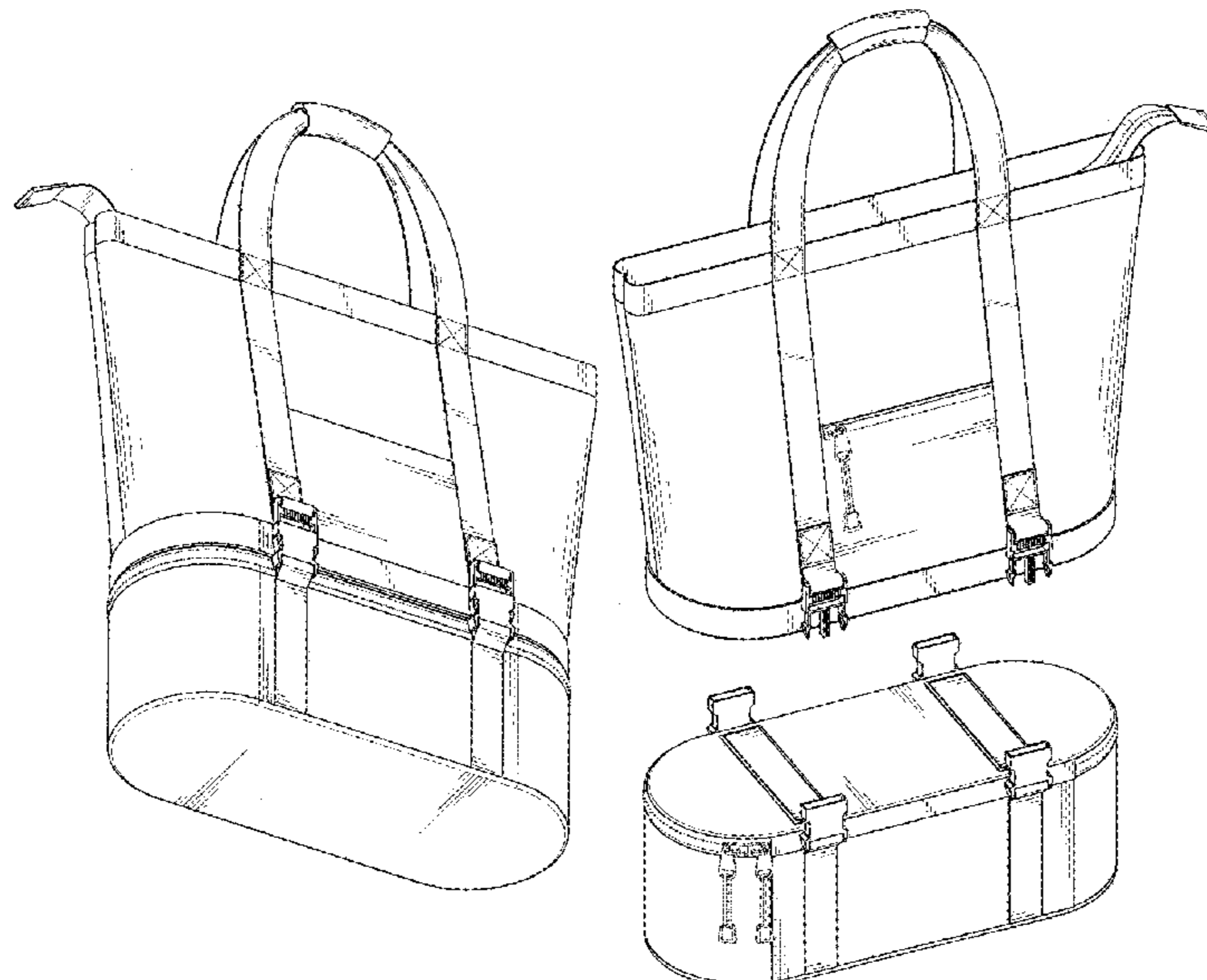
(57) **CLAIM**

The ornamental design for tote bag and insulated cooler combination, as shown and described.

DESCRIPTION

FIG. 1 is a front, left side, top perspective view of a tote bag and insulated cooler combination showing our new design; FIG. 2 is a rear, right side, bottom perspective view thereof; FIG. 3 is a front elevational view thereof; FIG. 4 is a rear elevational view thereof; FIG. 5 is a left side elevational view thereof; FIG. 6 is a right side elevational view thereof; FIG. 7 is a top plan view thereof; FIG. 8 is a bottom plan view thereof; and, FIG. 9 is front, left side, top perspective exploded view thereof when buckle fasteners are detached permitting the tote bag to be separated from the insulated cooler. The broken lines and the areas within them depict portions of the tote bag and insulated cooler combination that form no part of the claimed design.

1 Claim, 9 Drawing Sheets



(56)

References Cited

U.S. PATENT DOCUMENTS

D824,731 S * 8/2018 Sullivan D7/607
D830,133 S * 10/2018 Sullivan D7/607
10,384,855 B2 * 8/2019 Seiders A45C 13/103
D868,545 S * 12/2019 Lin D7/607
D869,146 S * 12/2019 Jacobsen D3/201
D874,815 S * 2/2020 Wells D3/203.1
D886,532 S * 6/2020 Peng D7/601
D886,533 S * 6/2020 Finell D7/602
D886,537 S * 6/2020 Jacobsen D7/607
D887,699 S * 6/2020 Bullock D3/201
10,781,028 B2 * 9/2020 Munie B65D 81/3858
2009/0110335 A1 * 4/2009 LeBoeuf B65D 81/18
383/63
2013/0216158 A1 * 8/2013 Meldeau A45C 3/04
383/24
2016/0257479 A1 * 9/2016 Seiders B65D 81/3897

* cited by examiner



FIG. 1

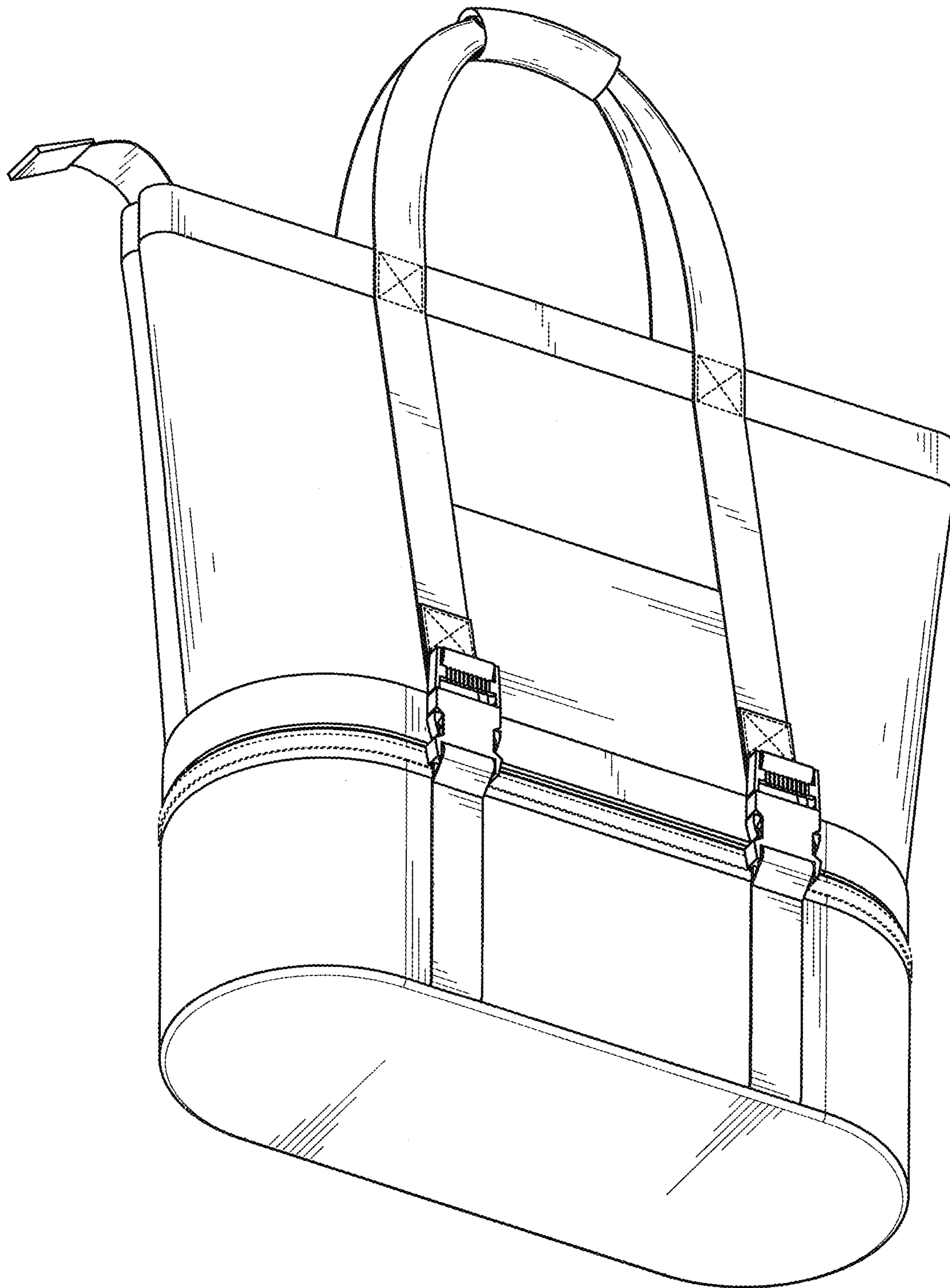


FIG. 2

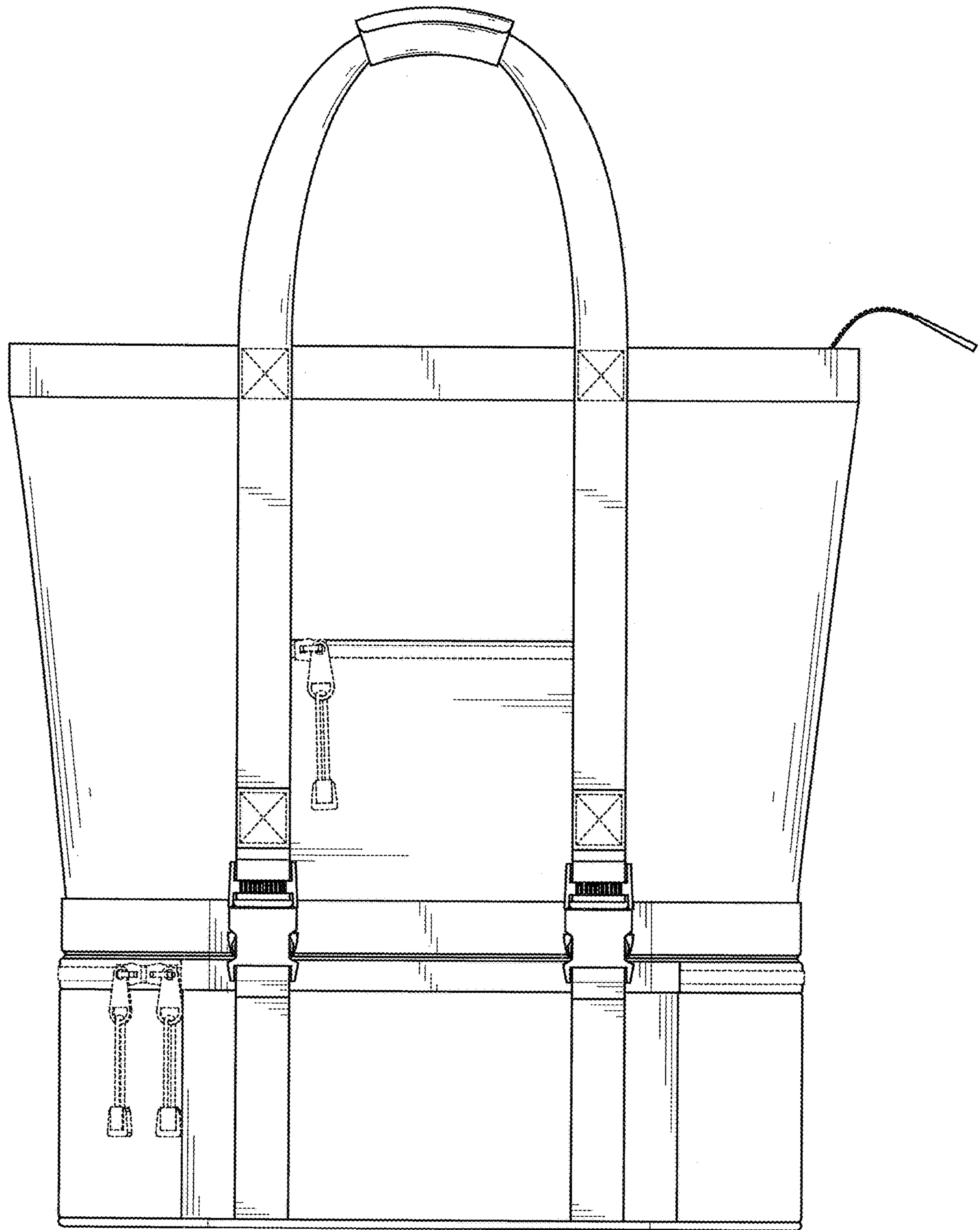


FIG. 3

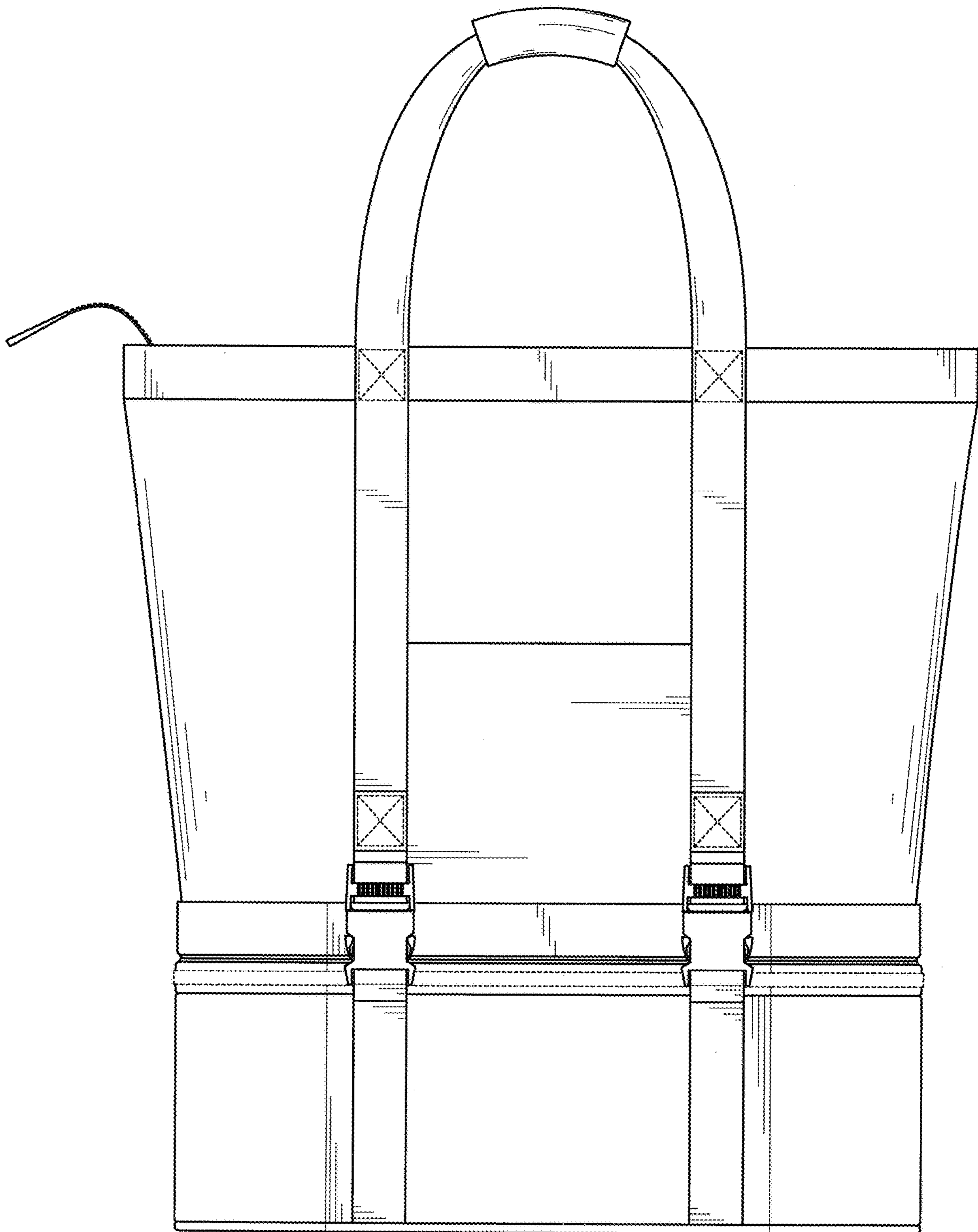


FIG. 4

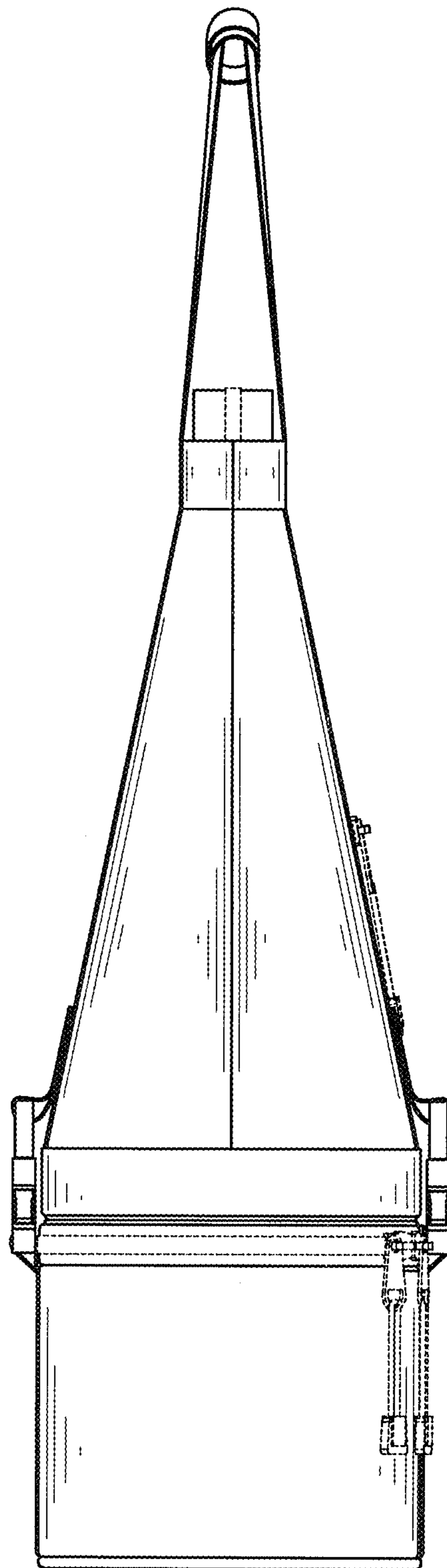


FIG. 5

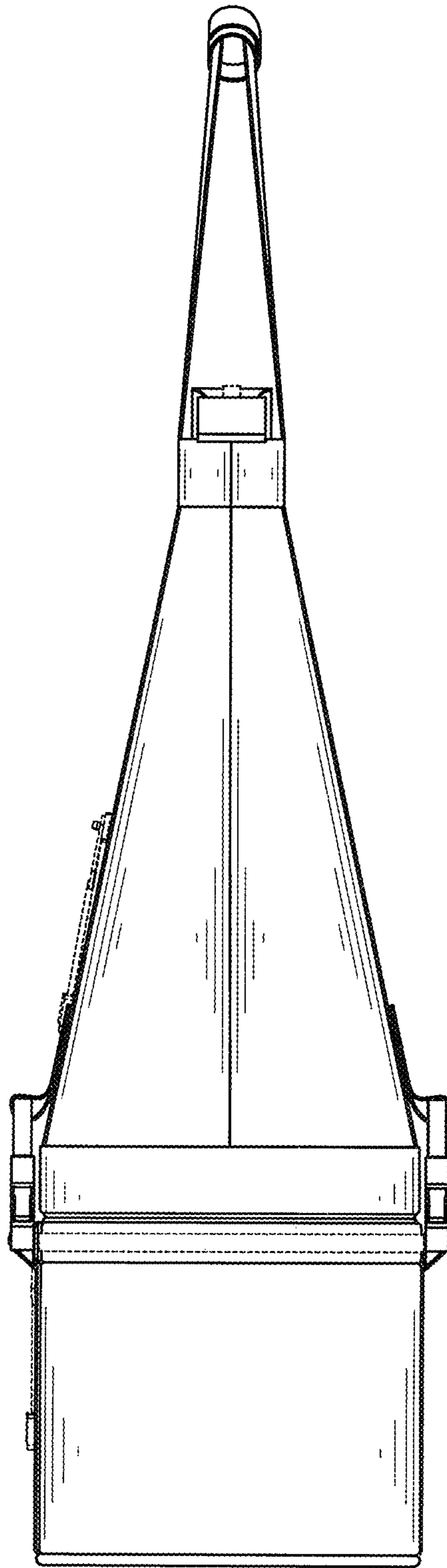


FIG. 6

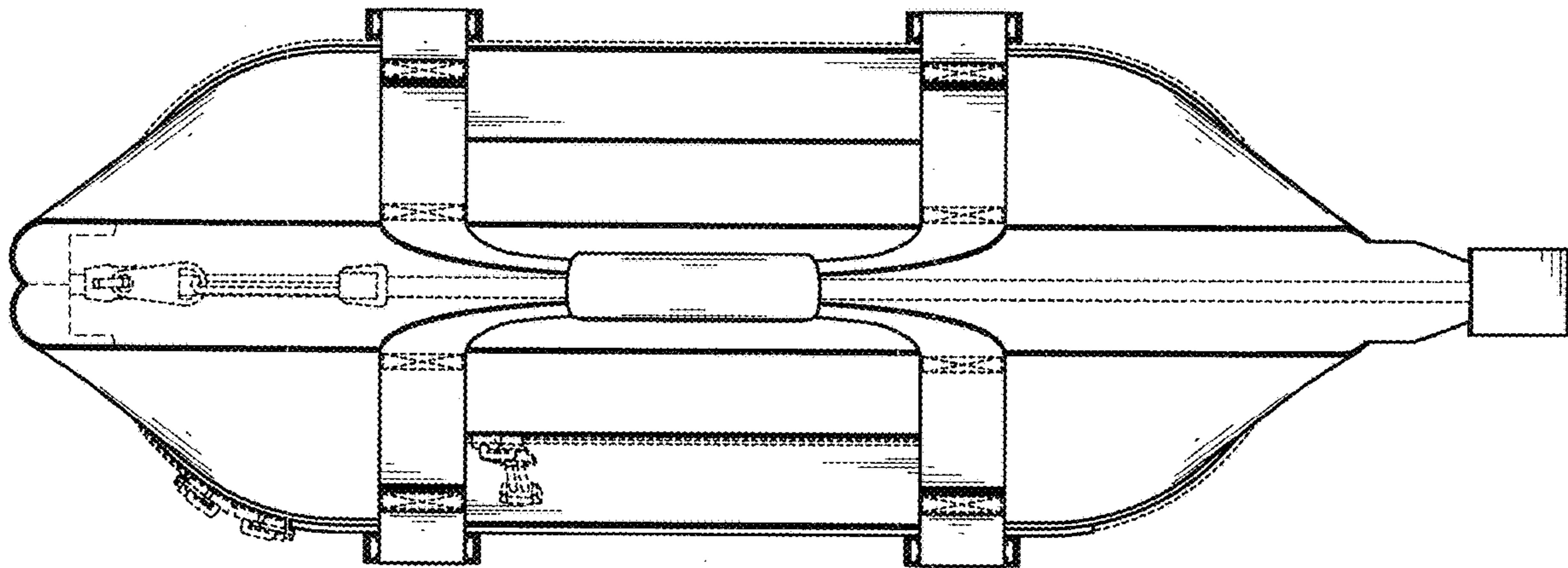


FIG. 7

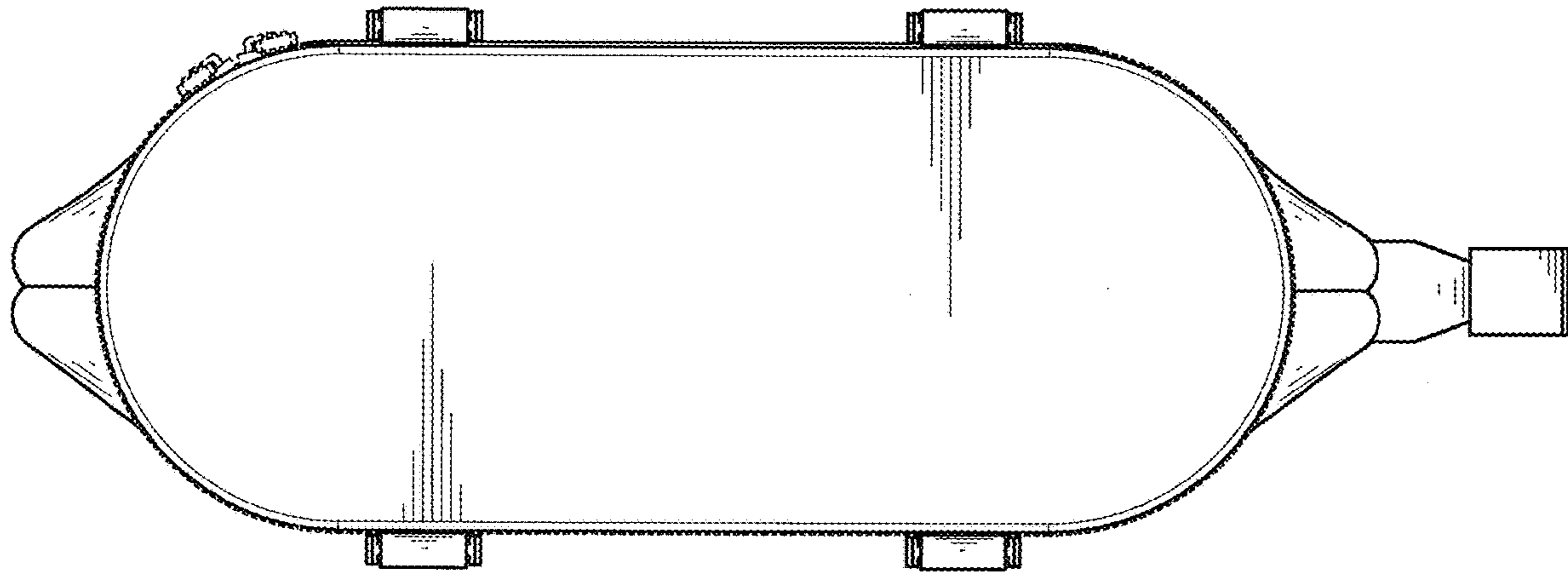


FIG. 8

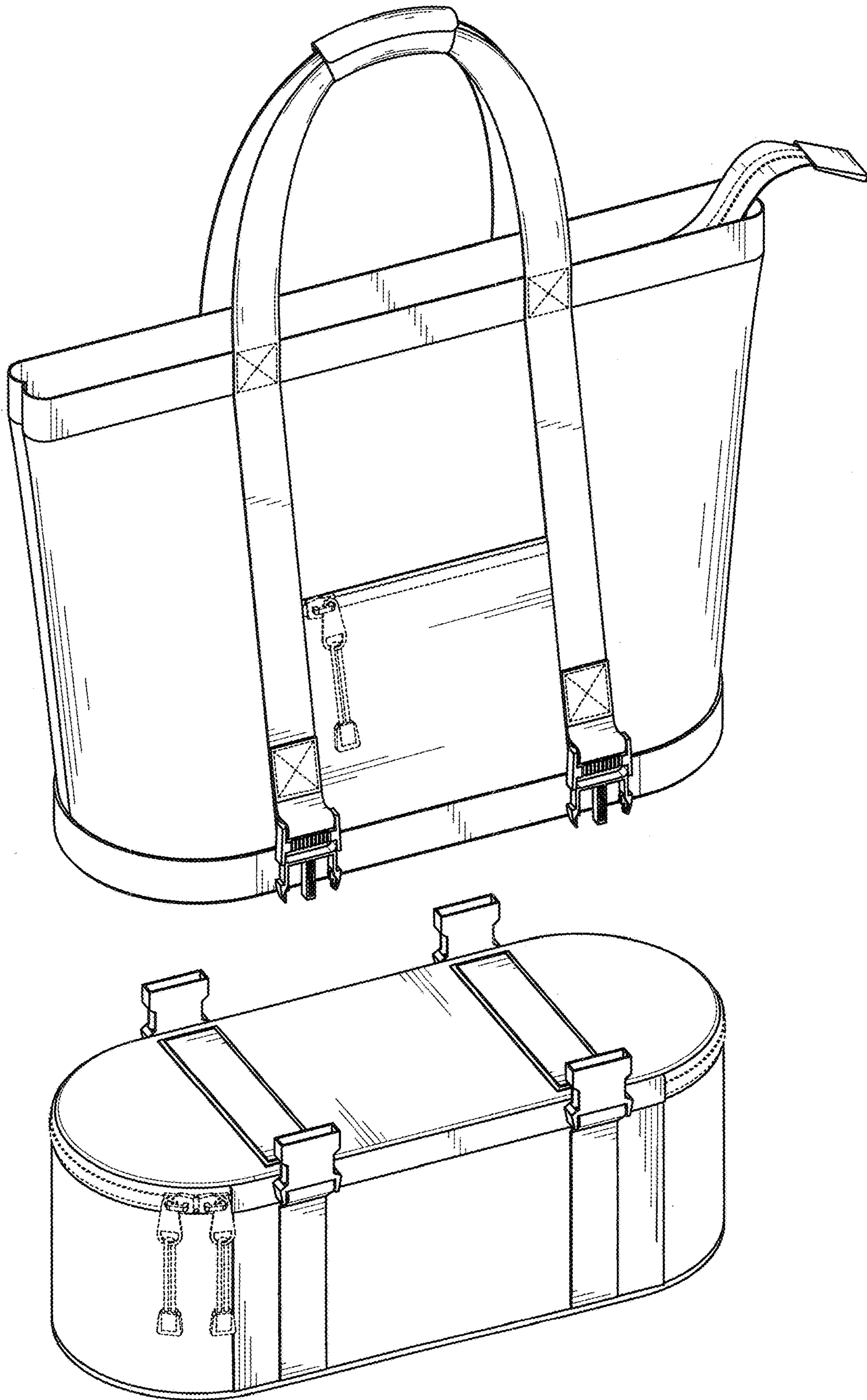


FIG. 9