



US00D934030S

(12) **United States Design Patent**
Gillespie et al.

(10) **Patent No.:** **US D934,030 S**

(45) **Date of Patent:** **** Oct. 26, 2021**

(54) **FLIP PLATE**

(71) Applicant: **Zak Designs, Inc.**, Spokane, WA (US)

(72) Inventors: **Andrew Gillespie**, South Easton, MA (US); **Greg Grankowski**, Greenacres, WA (US)

(73) Assignee: **Zak Designs, Inc.**, Spokane, WA (US)

(**) Term: **15 Years**

(21) Appl. No.: **29/711,156**

(22) Filed: **Oct. 29, 2019**

(51) **LOC (13) Cl.** **07-01**

(52) **U.S. Cl.**
USPC **D7/587**

(58) **Field of Classification Search**
USPC D7/500, 587, 565, 560, 543, 523, 584,
D7/602, 505; D30/130; D19/104
CPC A47G 19/025; A47G 19/02; A01K 5/0135
See application file for complete search history.

(56) **References Cited**

U.S. PATENT DOCUMENTS

2,172,140	A *	9/1939	Kieft	A47G 19/10
					248/362
D363,645	S *	10/1995	Smith	D7/553.6
D364,537	S *	11/1995	Anderson	D7/553.6
D376,732	S *	12/1996	Smith	D7/553.6
D732,891	S *	6/2015	Bonilla	D7/505
D806,474	S *	1/2018	Greenwood	D7/501
D856,755	S *	8/2019	McCarney	D7/555
D878,154	S *	3/2020	Kim	D7/505

D883,717	S *	5/2020	Peng	D6/614
2012/0017837	A1 *	1/2012	Crawford	A01K 5/01
					119/61.1
2018/0199542	A1 *	7/2018	Foster	A01K 5/0135
2018/0343826	A1 *	12/2018	Kumar	A01K 5/0135

* cited by examiner

Primary Examiner — Cynthia R Underwood

(74) *Attorney, Agent, or Firm* — Randall Danskin P.S.

(57) **CLAIM**

We claim the ornamental design for a flip plate, as shown and described.

DESCRIPTION

FIG. 1 is a top and front perspective view of the flip plate of the present invention.

FIG. 2 is a bottom and front perspective view thereof.

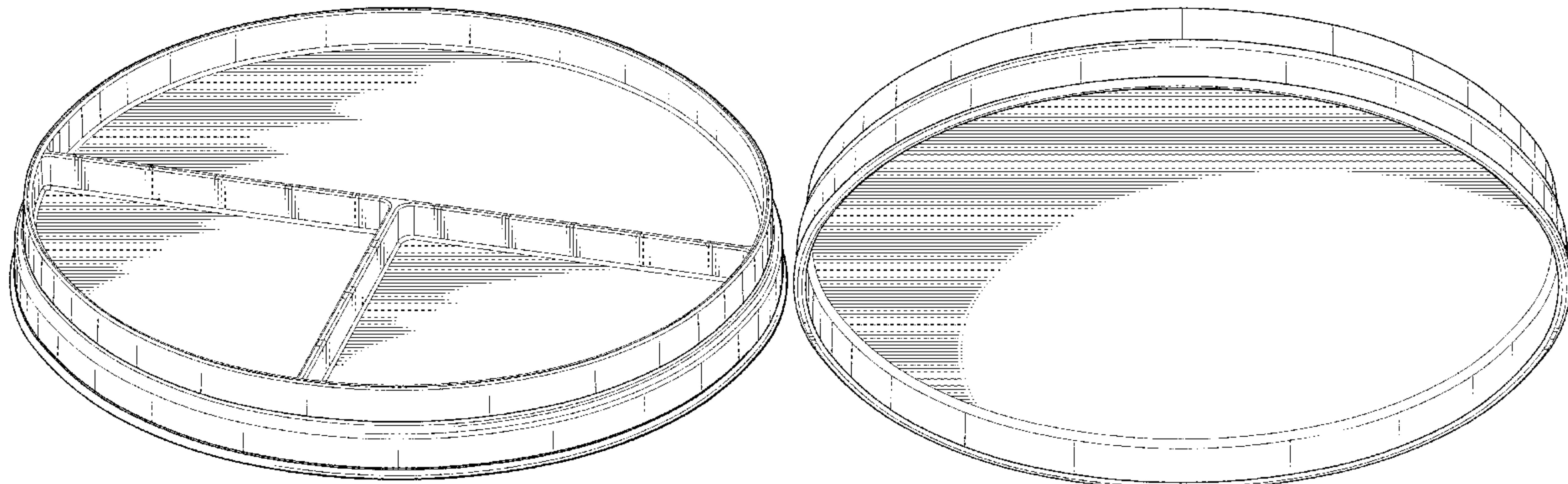
FIG. 3 is a top, elevation view thereof.

FIG. 4 is a bottom, elevation view thereof; and,

FIG. 5 is a front, elevation view thereof. The back, left side, and right side elevation views are identical to FIG. 5.

The invention is a double sided plate, wherein one side includes section dividers and when a user flips the plate over, the other side does not include any section divider. Both sides of the flip plate include a circular ridge along the outer edge and the diameter of the circular ridge on the side of the plate with section dividers is smaller than the diameter of the circular ridge on the side of the plate without section dividers. This allows multiple flip plates to stack neatly with the section divider side nesting within the undivided side of an adjacent flip plate.

1 Claim, 5 Drawing Sheets



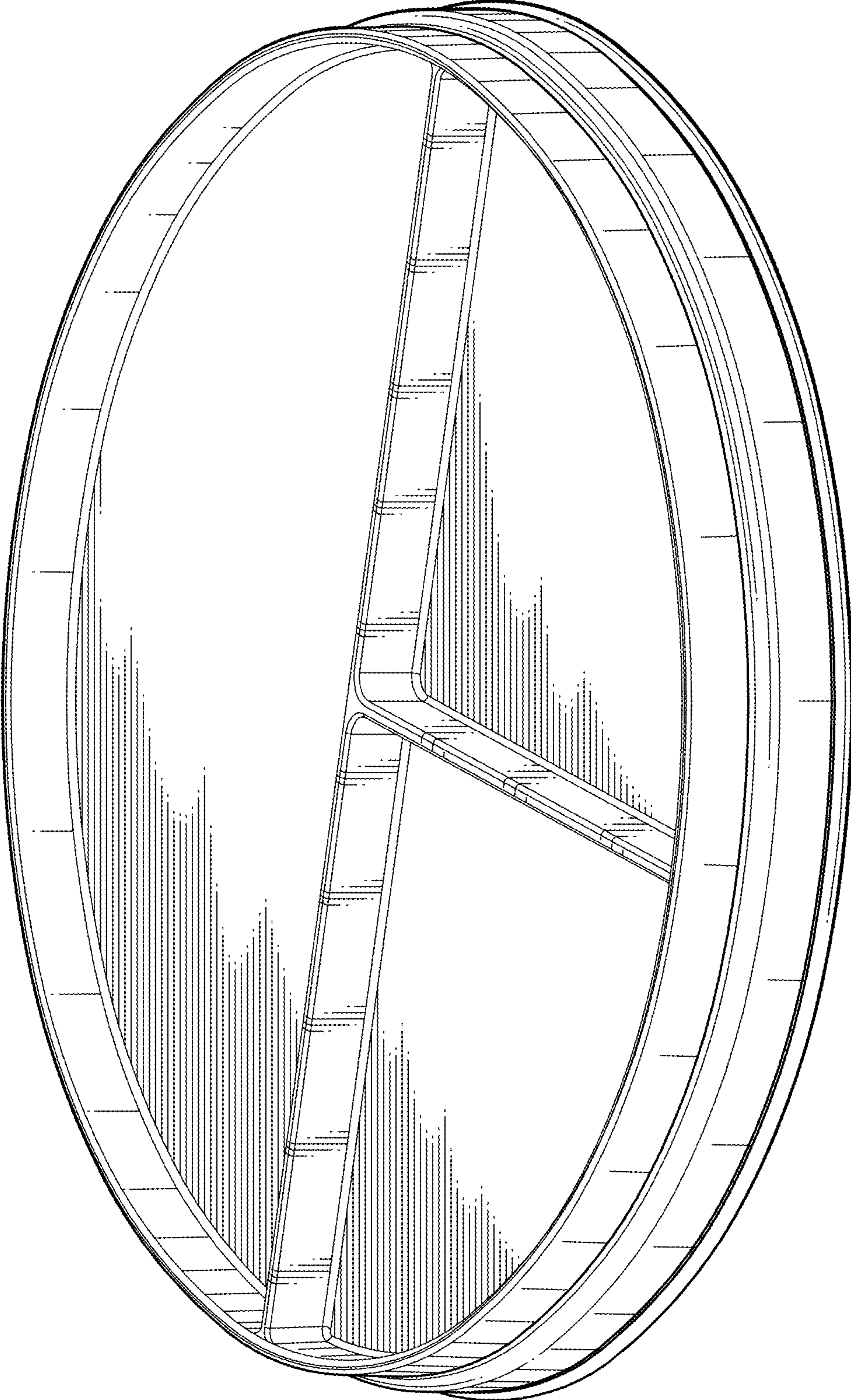


FIG. 1

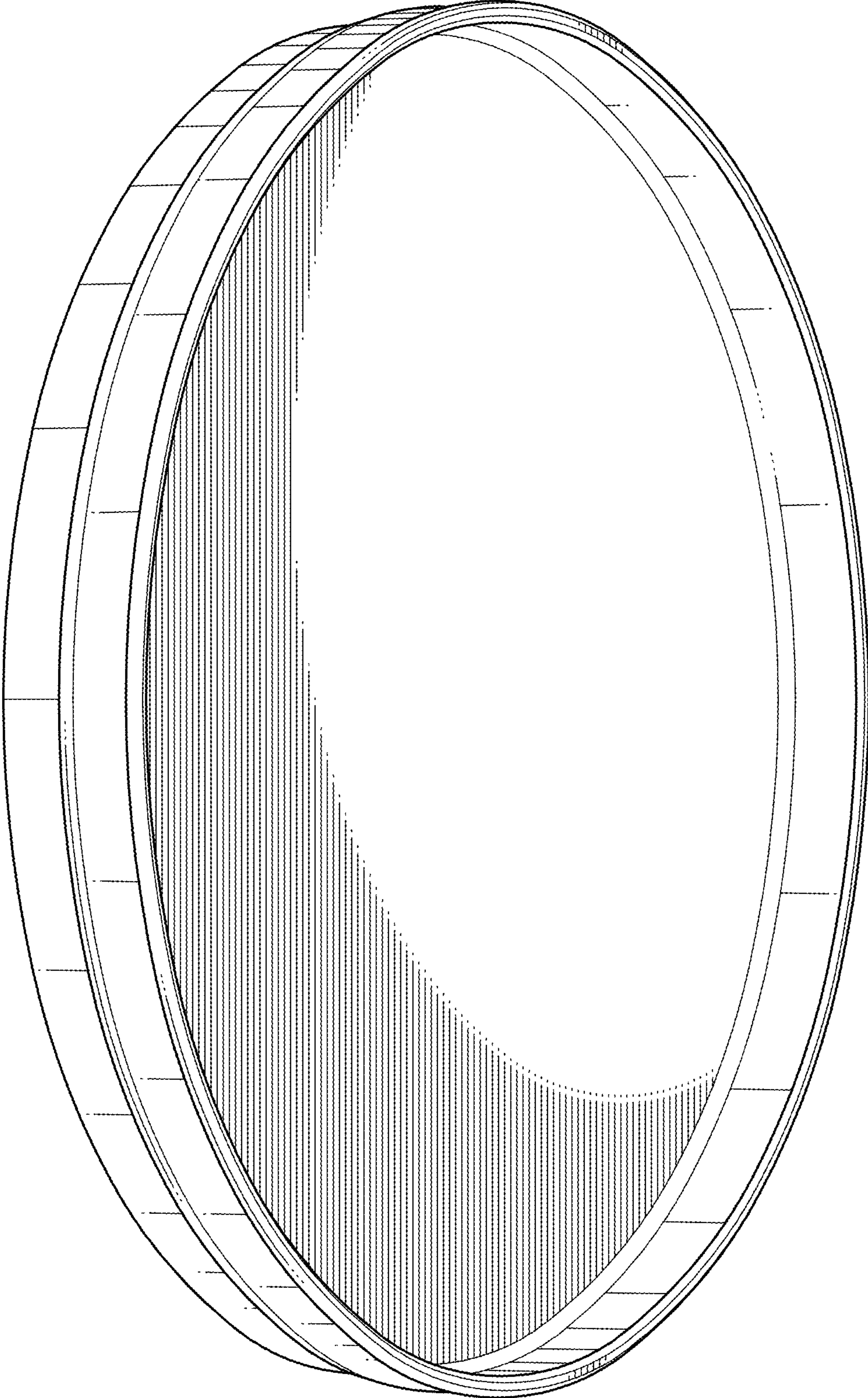


FIG. 2

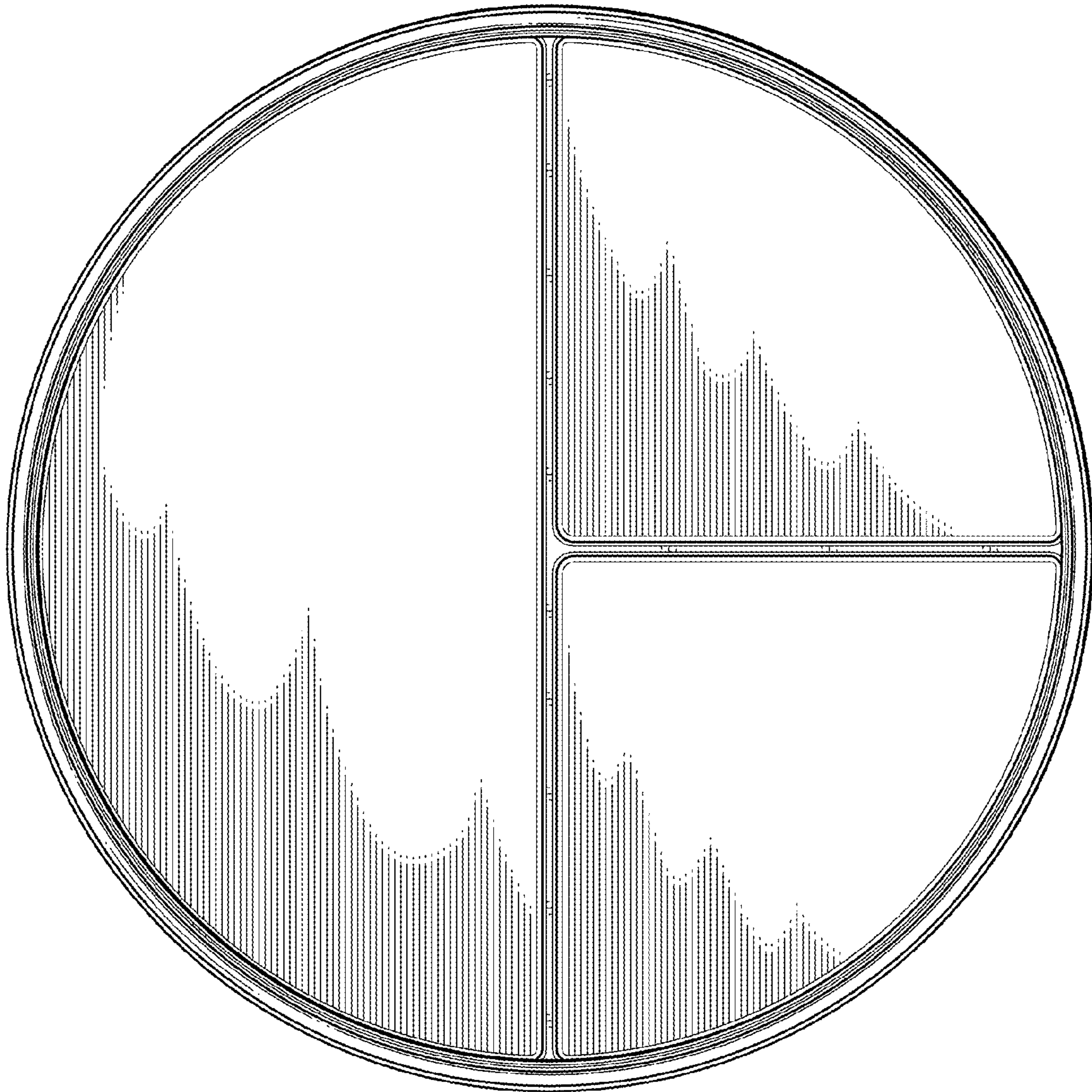


FIG. 3

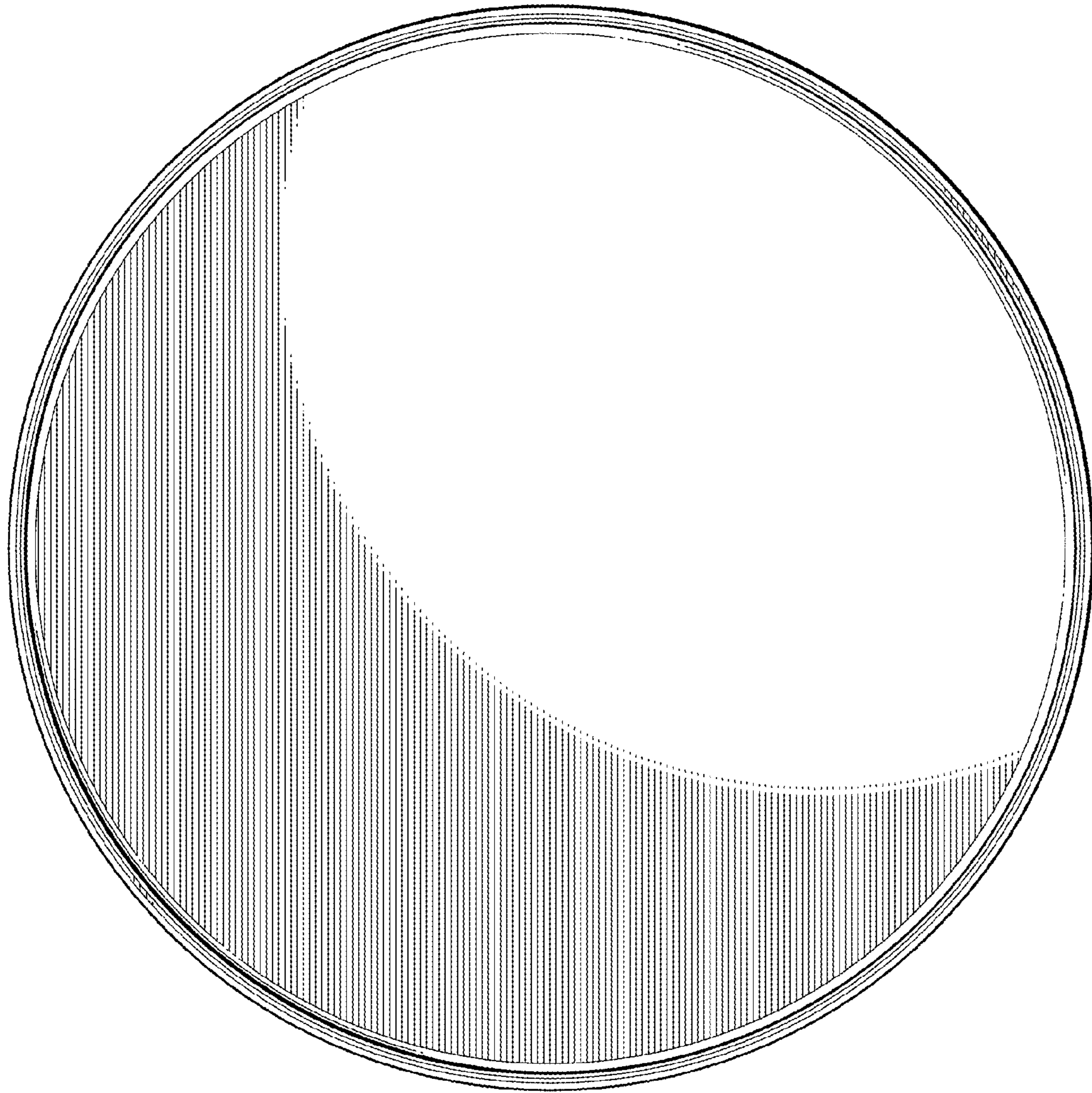


FIG. 4

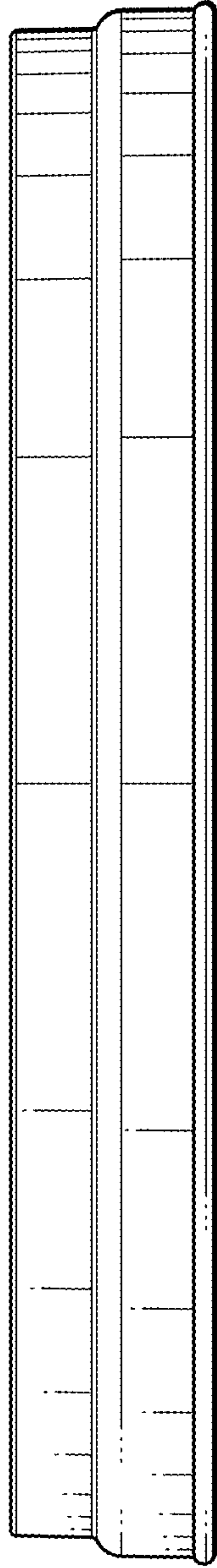


FIG. 5