



US00D934029S

(12) **United States Design Patent**
Zheng

(10) **Patent No.:** **US D934,029 S**

(45) **Date of Patent:** **** Oct. 26, 2021**

(54) **MULTI-FUNCTIONAL TRAY**

(71) Applicant: **FUZHOU INFINITY HOME CO., LTD**, Fuzhou (CN)

(72) Inventor: **Huihai Zheng**, Fuzhou (CN)

(73) Assignee: **FUZHOU INFINITY HOME CO., LTD**, Fuzhou (CN)

(**) Term: **15 Years**

(21) Appl. No.: **29/739,272**

(22) Filed: **Jun. 24, 2020**

(30) **Foreign Application Priority Data**

May 11, 2020 (CN) 202030211078.4

(51) **LOC (13) Cl.** **07-01**

(52) **U.S. Cl.**
USPC **D7/554.3**

(58) **Field of Classification Search**
USPC D7/550.1, 553.2, 554.3, 601-602,
D7/609-610, 612, 629; D3/304, 307,
D3/308, 314, 315

CPC A47G 19/02; A47G 19/30; A47G 23/06;
A47G 23/0608; B65D 1/34; B65D 1/00;
B65D 5/00; B65D 9/00

See application file for complete search history.

(56) **References Cited**

U.S. PATENT DOCUMENTS

D171,324 S * 1/1954 De Puy D7/549
4,133,238 A * 1/1979 Jacobs B26B 29/063
83/466.1
D260,907 S * 9/1981 Giulie D19/92
D391,687 S * 3/1998 McMahon D19/92

D420,851 S * 2/2000 Wagner D7/402
D598,024 S * 8/2009 Scott D14/432
D613,117 S * 4/2010 Richburg D7/409
D614,915 S * 5/2010 Schnitman D7/409
D641,210 S * 7/2011 Hamilton D7/554.3
D655,989 S * 3/2012 Nelms D7/698
D676,721 S * 2/2013 Button D7/698
D741,105 S * 10/2015 Ryan D7/354
D767,340 S * 9/2016 Lau D7/554.3
D780,848 S * 3/2017 Greenspon D19/92
D833,207 S * 11/2018 Zemel D7/363
D858,206 S * 9/2019 Chiang D7/554.3
D858,207 S * 9/2019 Chiang D7/554.3
D884,432 S * 5/2020 Chiang D7/554.3
D904,126 S * 12/2020 Chiang D7/554.3
D919,371 S * 5/2021 Chiang D7/552.1
2009/0235918 A1 * 9/2009 Espina F23Q 9/045
126/39 G

* cited by examiner

Primary Examiner — Kelley A Donnelly

(57) **CLAIM**

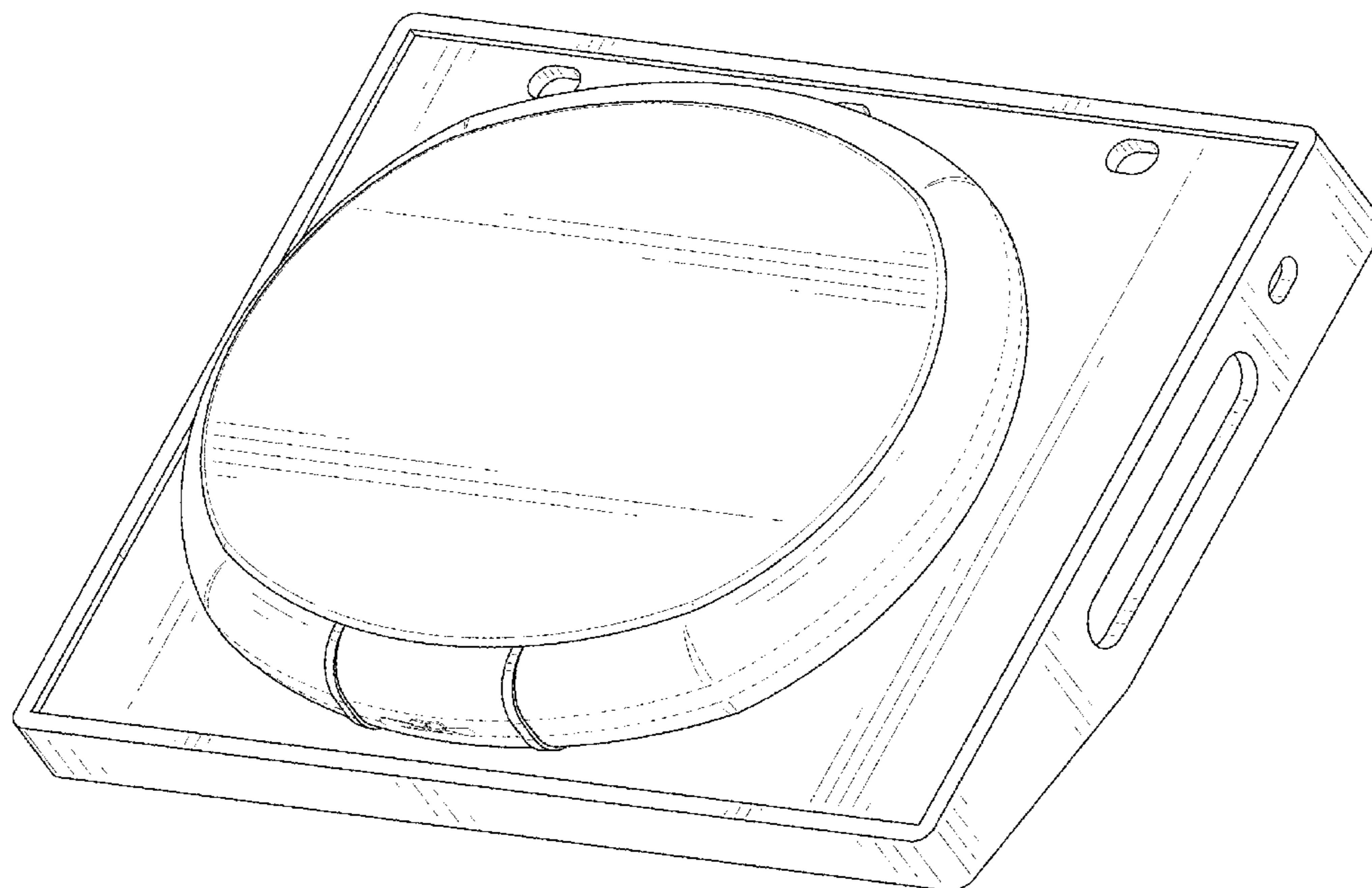
The ornamental design for a multi-functional tray, as shown and described.

DESCRIPTION

FIG. 1 is a perspective view of a multi-functional tray showing my new design;
FIG. 2 is another perspective view thereof;
FIG. 3 is a front elevational view thereof;
FIG. 4 is a rear elevational view thereof;
FIG. 5 is a left side elevational view thereof;
FIG. 6 is a right side elevational view thereof;
FIG. 7 is a top plan view thereof; and,
FIG. 8 is a bottom plan view thereof.

The broken lines in the drawings depict portions of the multi-functional tray that form no part of the claimed design.

1 Claim, 8 Drawing Sheets



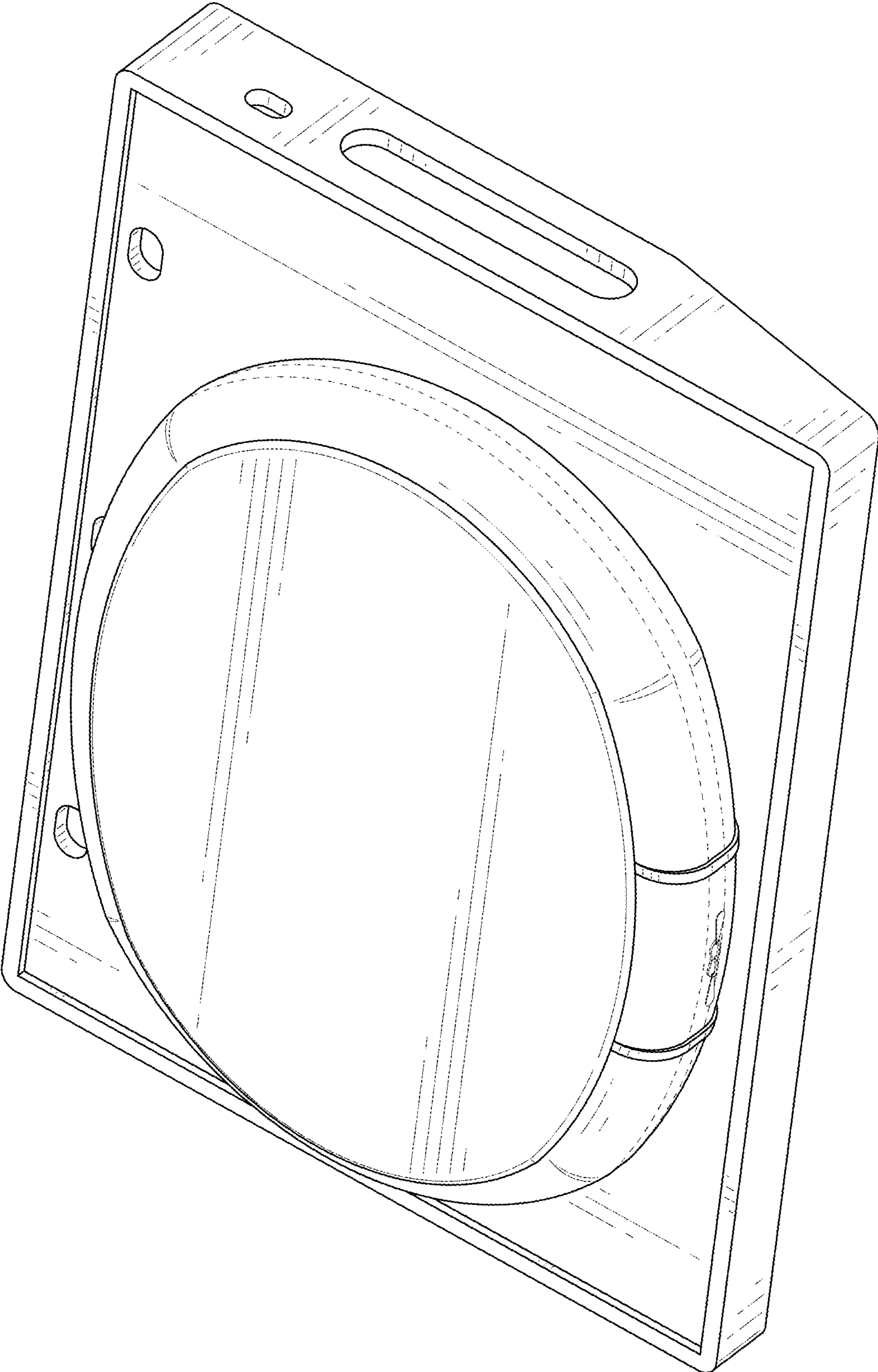


FIG. 1

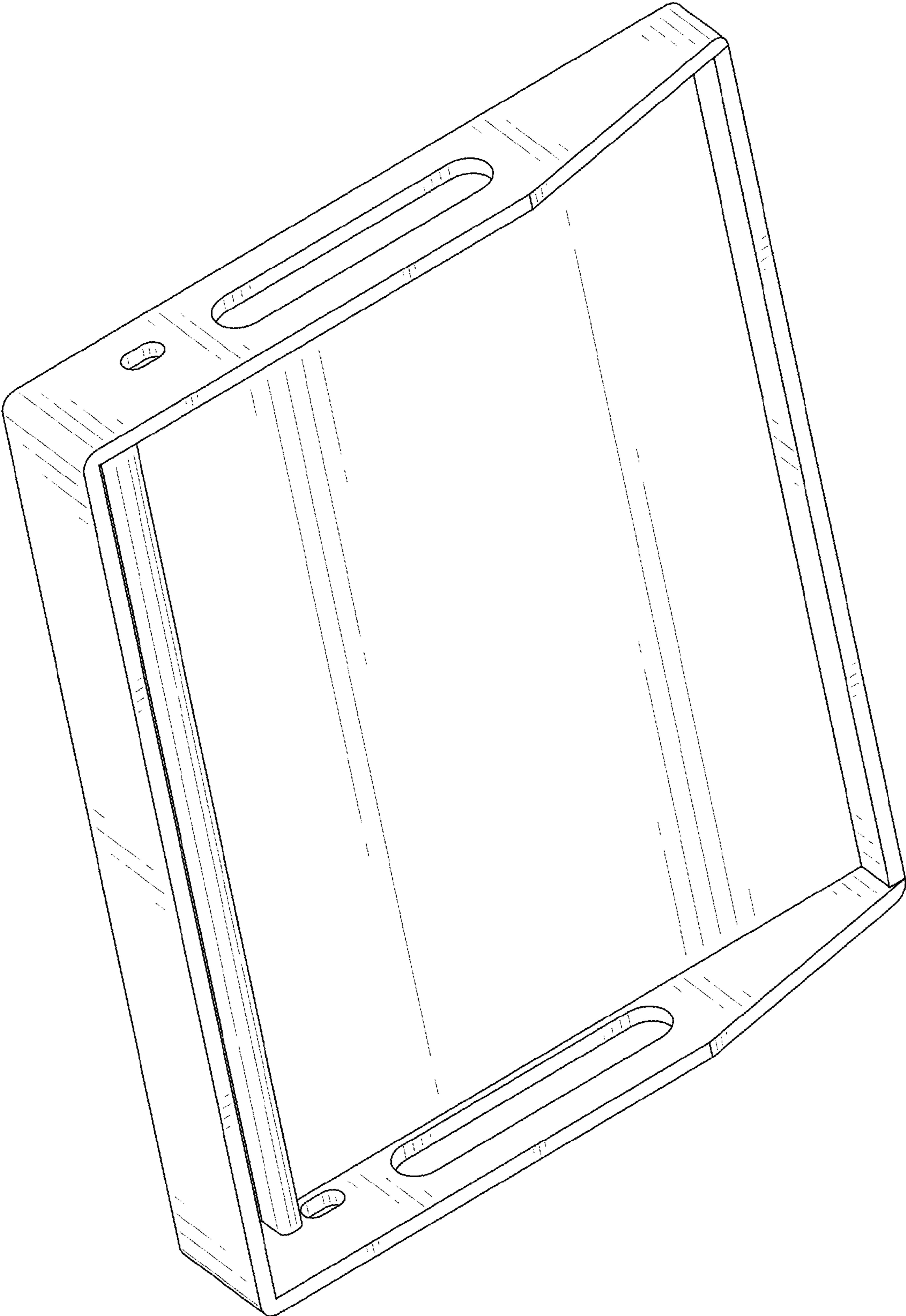


FIG. 2

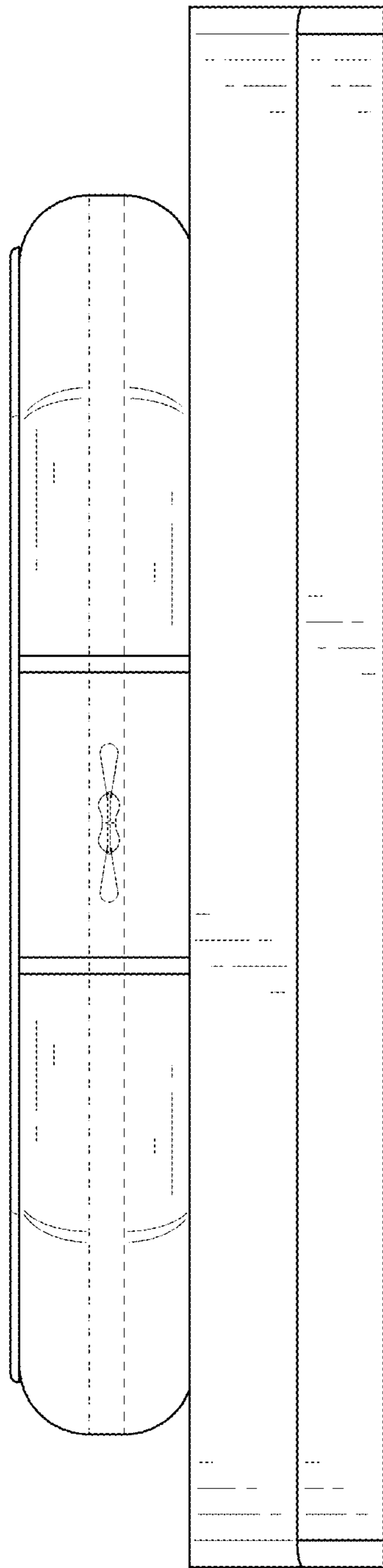


FIG. 3

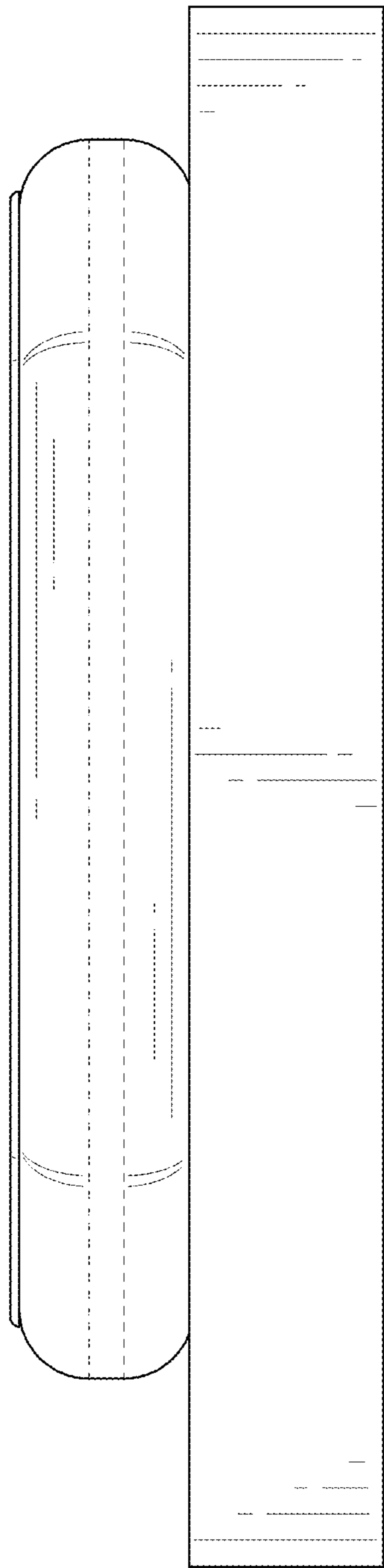


FIG. 4

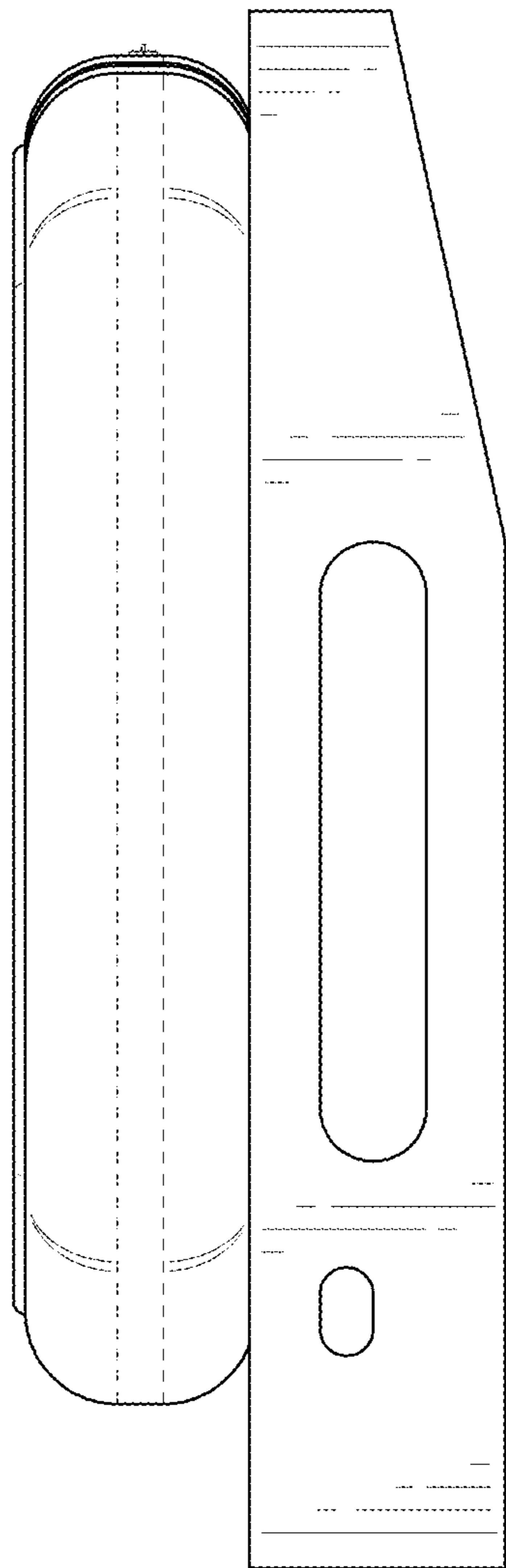


FIG. 5

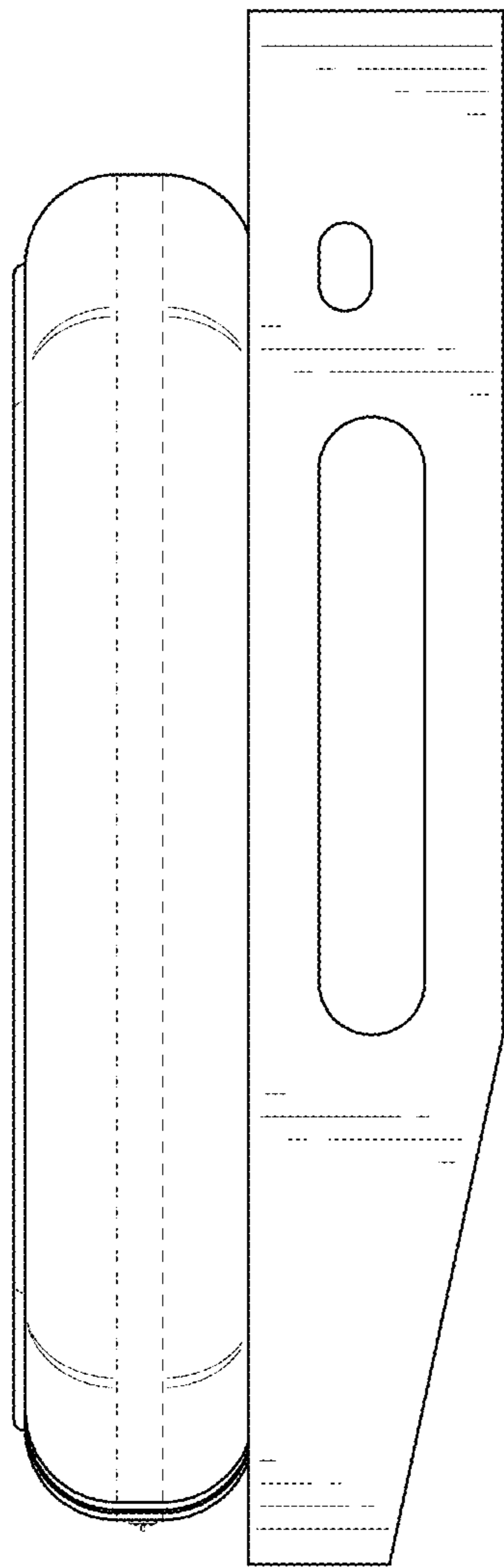


FIG. 6

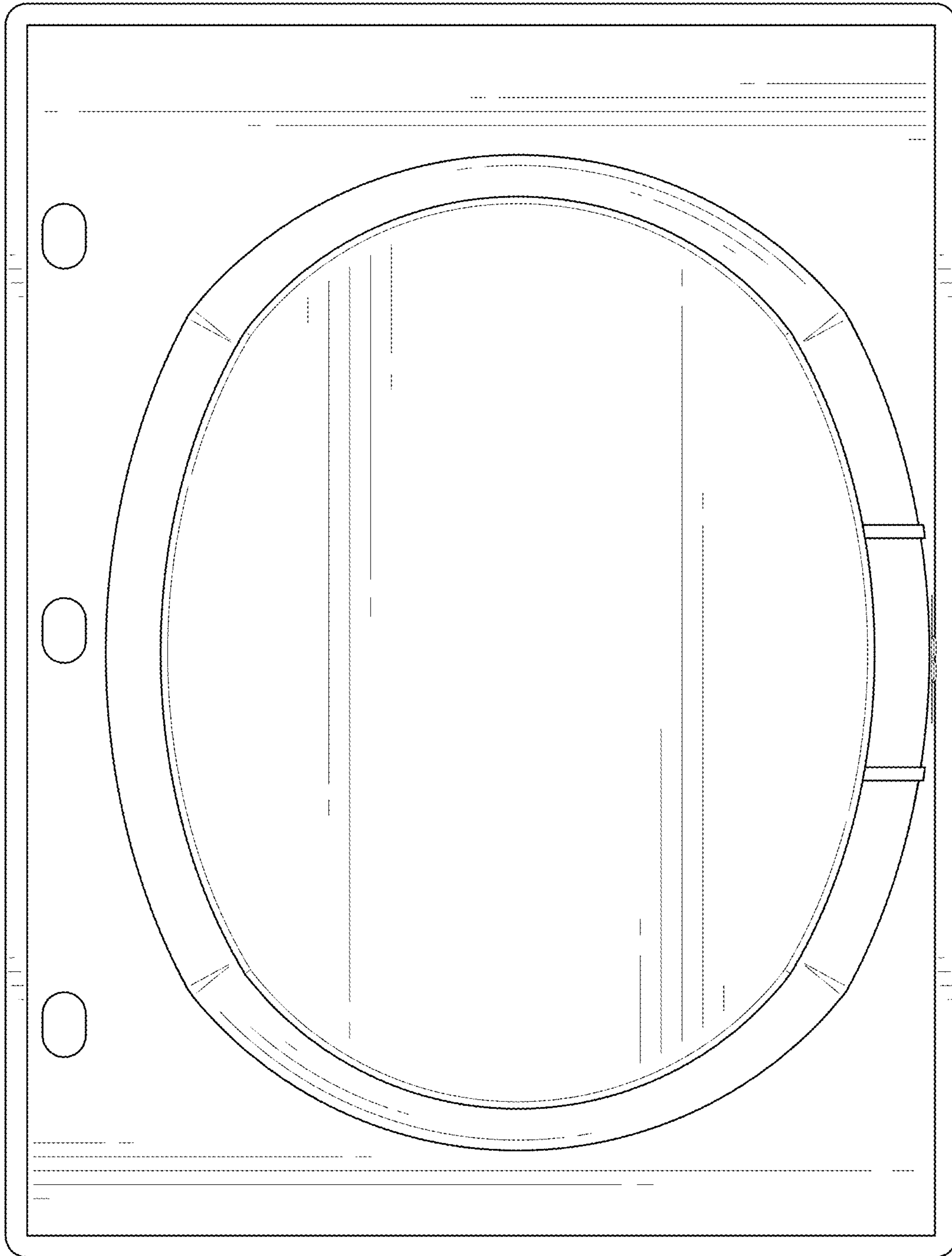


FIG. 7

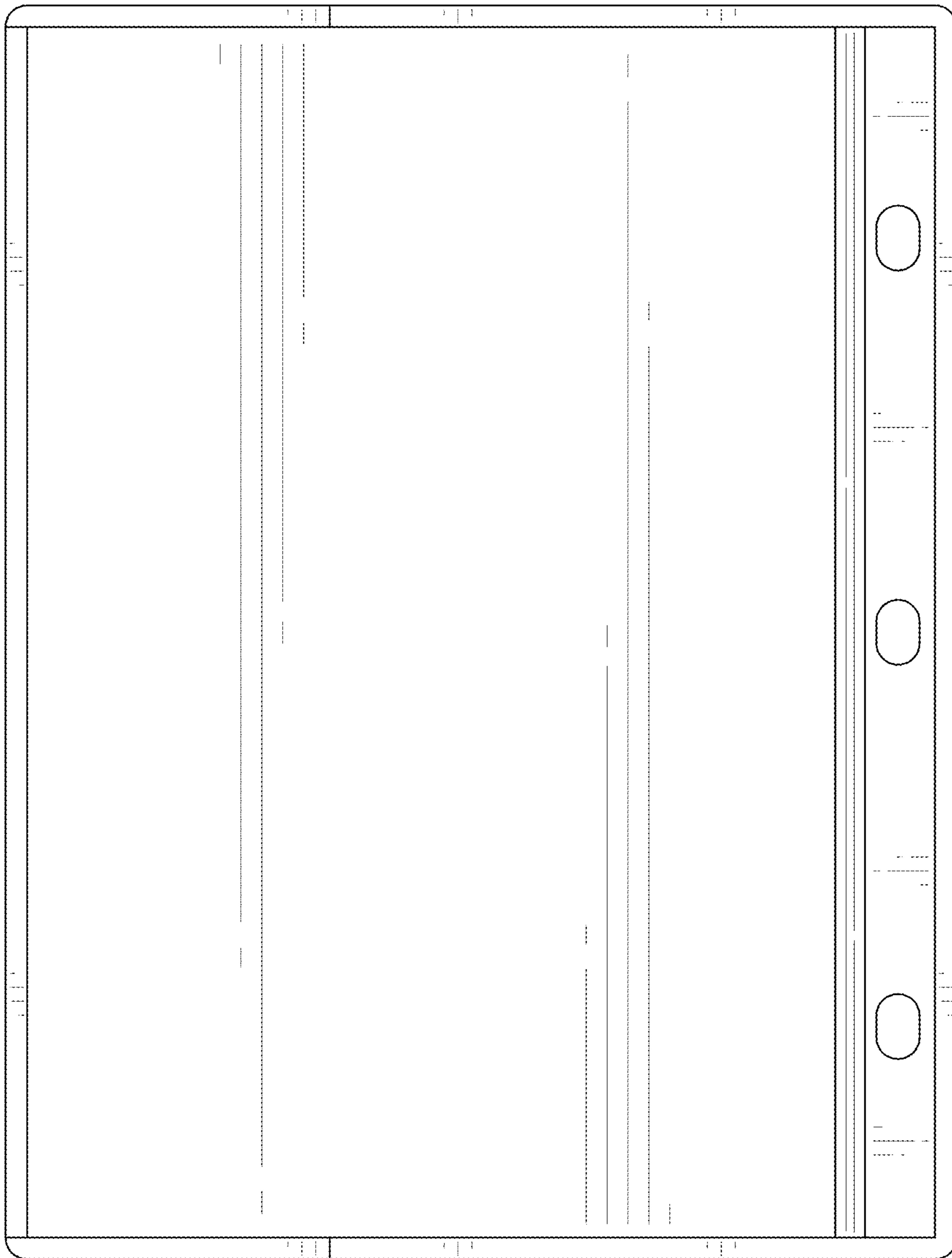


FIG. 8