



US00D934028S

(12) **United States Design Patent** (10) **Patent No.:** **US D934,028 S**
Haskins (45) **Date of Patent:** **** *Oct. 26, 2021**

(54) **TUMBLER**

A47G 19/2272; A47G 19/2288; A47G 19/2205

(71) Applicant: **Real Value LLC**, Moore, OK (US)

See application file for complete search history.

(72) Inventor: **Nathaniel Haskins**, Oklahoma City, OK (US)

(56) **References Cited**

U.S. PATENT DOCUMENTS

(73) Assignee: **Real Value LLC**, Moore, OK (US)

D490,274 S * 5/2004 Irvine D7/523
D553,909 S * 10/2007 Bodum D7/500
D559,493 S * 1/2008 Dretzka D7/523
D599,169 S * 9/2009 Stalions D7/510

(*) Notice: This patent is subject to a terminal disclaimer.

(Continued)

(**) Term: **15 Years**

FOREIGN PATENT DOCUMENTS

(21) Appl. No.: **29/771,669**

EM 006624193-0001 * 7/2019

(22) Filed: **Feb. 24, 2021**

OTHER PUBLICATIONS

Related U.S. Application Data

(63) Continuation of application No. 29/701,013, filed on Aug. 7, 2019, now Pat. No. Des. 914,455.

Grace, Dec. 13, 2019, Amazon.com Product Review post, URL: https://www.amazon.com/Simple-Modern-Voyager-Travel-Tumbler/dp/B07SRK9VYS/ref=sr_1_1_sspa?dchild=1&keywords=VOYAGER%2BTRAVEL%2BMUG&qid=1602616737&sr=8-1-spons&spLa=ZW5jcnlwdGVkUXVhbGlmaWVyPUEyNzIhVVpaUUXLSUoxJmVuY3J5cHRIZEikPUEwMTU (Year: 2019).*

(Continued)

(51) **LOC (13) Cl.** **09-01**

Primary Examiner — Brett Miller

(52) **U.S. Cl.**

Assistant Examiner — Rani J Abdallah

USPC **D7/510**; D7/511; D7/523

(74) *Attorney, Agent, or Firm* — Hall Estill Law Firm

(58) **Field of Classification Search**

USPC D9/414, 418, 422, 423, 424, 428, 516, D9/531, 540, 548, 549, 721, 500-504, D9/558, 573-575, 688, 689, 690, 691; D7/507-511, 523; D6/677; D3/203.1, D3/203.5

(57) **CLAIM**

The ornamental design for a tumbler, as shown and described.

CPC B65D 25/54; B65D 25/106; B65D 25/22; B65D 51/24; B65D 51/245; B65D 1/0246; B65D 1/0207; B65D 2543/00046; B65D 2543/00092; B65D 81/3869; A47F 7/286; Y10S 220/906; B21D 51/2615;

DESCRIPTION

FIG. 1 is a top, perspective view showing a first embodiment of my new design for a tumbler.

FIG. 2 is a bottom, perspective view of FIG. 1.

FIG. 3 is a front side elevation view of FIG. 1.

FIG. 4 is a rear side elevation of view of FIG. 1.

FIG. 5 is a left side elevation view of FIG. 1.

FIG. 6 is right side elevation view of FIG. 1.

(Continued)

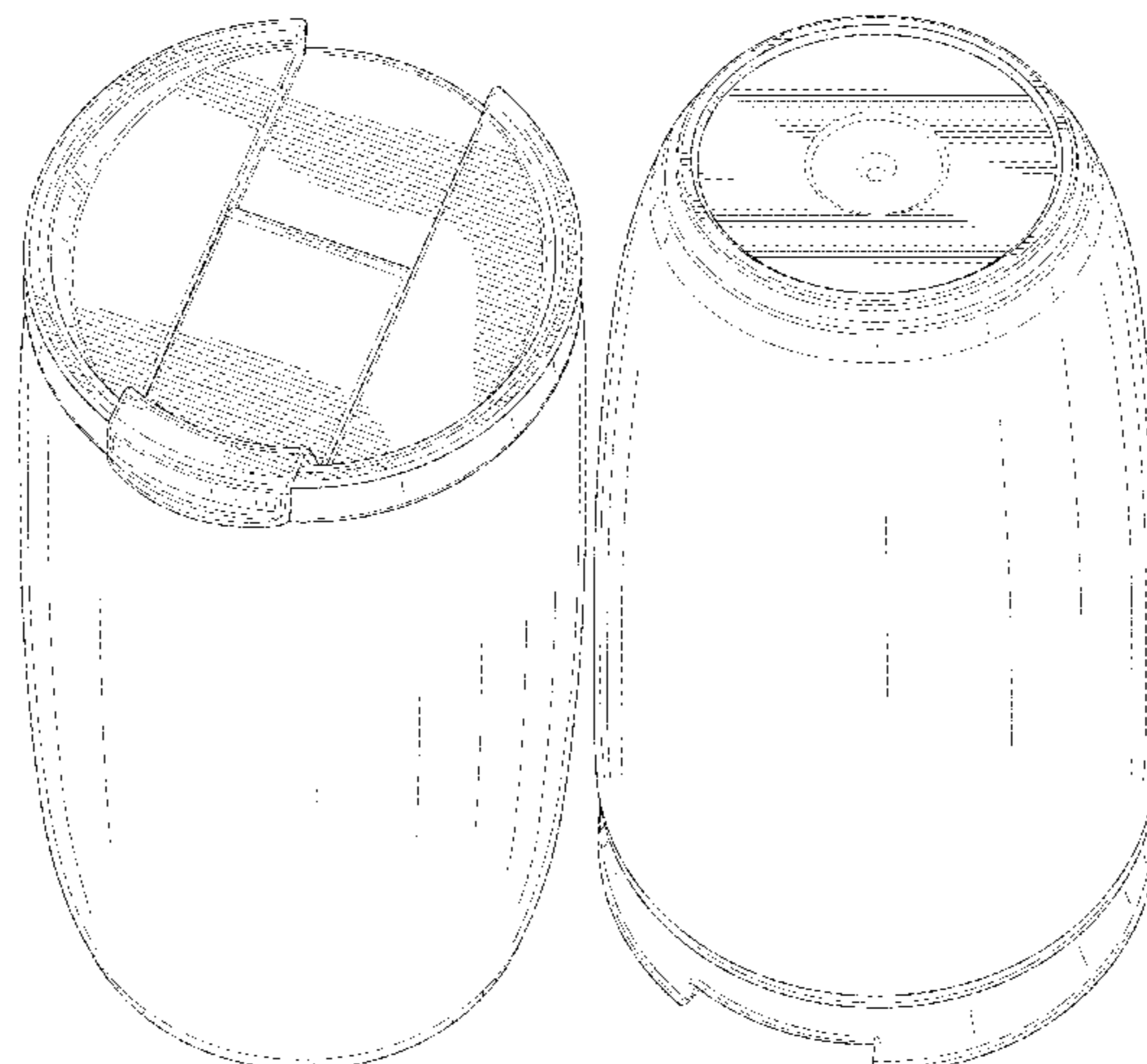


FIG. 7 is a top view of FIG. 1.
 FIG. 8 is a bottom view of FIG. 1.
 FIG. 9 is a left side elevation view showing a second embodiment of my new design for a tumbler.
 FIG. 10 is a left side elevation view showing a third embodiment of my new design for a tumbler; and,
 FIG. 11 is a left side elevation view showing a fourth embodiment of my new design for a tumbler.
 Broken lines shown are for illustrative purposes and form no part of the claimed design.

1 Claim, 11 Drawing Sheets

D791,579 S	7/2017	Goodwin et al.	
D792,155 S *	7/2017	Stover	D7/510
D808,220 S	1/2018	Burns et al.	
D809,920 S	2/2018	Maple	
D810,504 S	2/2018	Goodwin et al.	
D811,818 S	3/2018	Wu	
D812,428 S	3/2018	Wu	
D815,908 S	4/2018	Kauss et al.	
D817,093 S *	5/2018	Silsby	D7/510
D817,094 S *	5/2018	Silsby	D7/510
D822,439 S	7/2018	Spivey et al.	
D836,395 S *	12/2018	Seiders	D7/510
D844,382 S *	4/2019	Seiders	D7/510
D844,383 S *	4/2019	Seiders	D7/510

(56)

References Cited

U.S. PATENT DOCUMENTS

D599,208 S *	9/2009	Kissinger	D9/516
D618,964 S *	7/2010	Eisenhardt	D7/523
D620,357 S	7/2010	Jewett et al.	
D623,017 S *	9/2010	George	D7/510
D632,132 S *	2/2011	George	D7/510
D648,177 S	11/2011	Eyal	
D672,238 S	12/2012	Aziz et al.	
D672,609 S	12/2012	Aziz et al.	
D700,012 S	2/2014	Hurley et al.	
D715,100 S *	10/2014	Eyal	D7/510
D721,540 S *	1/2015	Grcic	D7/511
D723,333 S	3/2015	Lin	
D724,385 S	3/2015	Hurley et al.	
D742,176 S *	11/2015	Thun	D7/523
D743,208 S *	11/2015	Thun	D7/523
D787,935 S	5/2017	Kaiser	
D790,920 S	7/2017	Goodwin et al.	

OTHER PUBLICATIONS

Mallikarjun: Flexible and convenient, Jul. 5, 2019, Amazon.com Product Review pos, URL: https://www.amazon.com/Jura-Tumbler-Double-Stainless-Installation/dp/B07MJR3P1H/ref=sxin_9_ac_d_rm?ac_md=1-1-dHJhdmVslG11Zw%3D%3D-ac_d_rm&cv_ct_cx=travel+coffee+mug&dchild=1&keywords=travel+coffee+mug&pd_rd_i=B07MJR3P1 (Year: 2019).*

Venus, Jul. 31, 2019, Amazon.com Product Review post, Amazon.com, URL: https://www.amazon.com/SUNWILL-Tumbler-Stainless-Insulated-Durable/product-reviews/B07Q2CQBB4/ref=cm_cr_getr_d_paging_btm_next_5?ie=UTF8&reviewerType=all_reviews&mediaType=media_reviews_only&pageNumber=5&sortBy=recent (Year: 2019).*

Bison Coolers: Ray, Jun. 12, 2019, Bison Coolers Facebook Product Image, URL: <https://www.facebook.com/BisonCoolers/photos/a.260935620605540/2524262160939530/?type=3&theater> (Year: 2019).*

Davids Tea, Jul. 2, 2019, Davids Tea Facebook Product Image, URL: <https://www.facebook.com/DAVIDsTEA/photos/a.6042844790910157358607512910/?type=3&theater> (Year: 2019).*

* cited by examiner

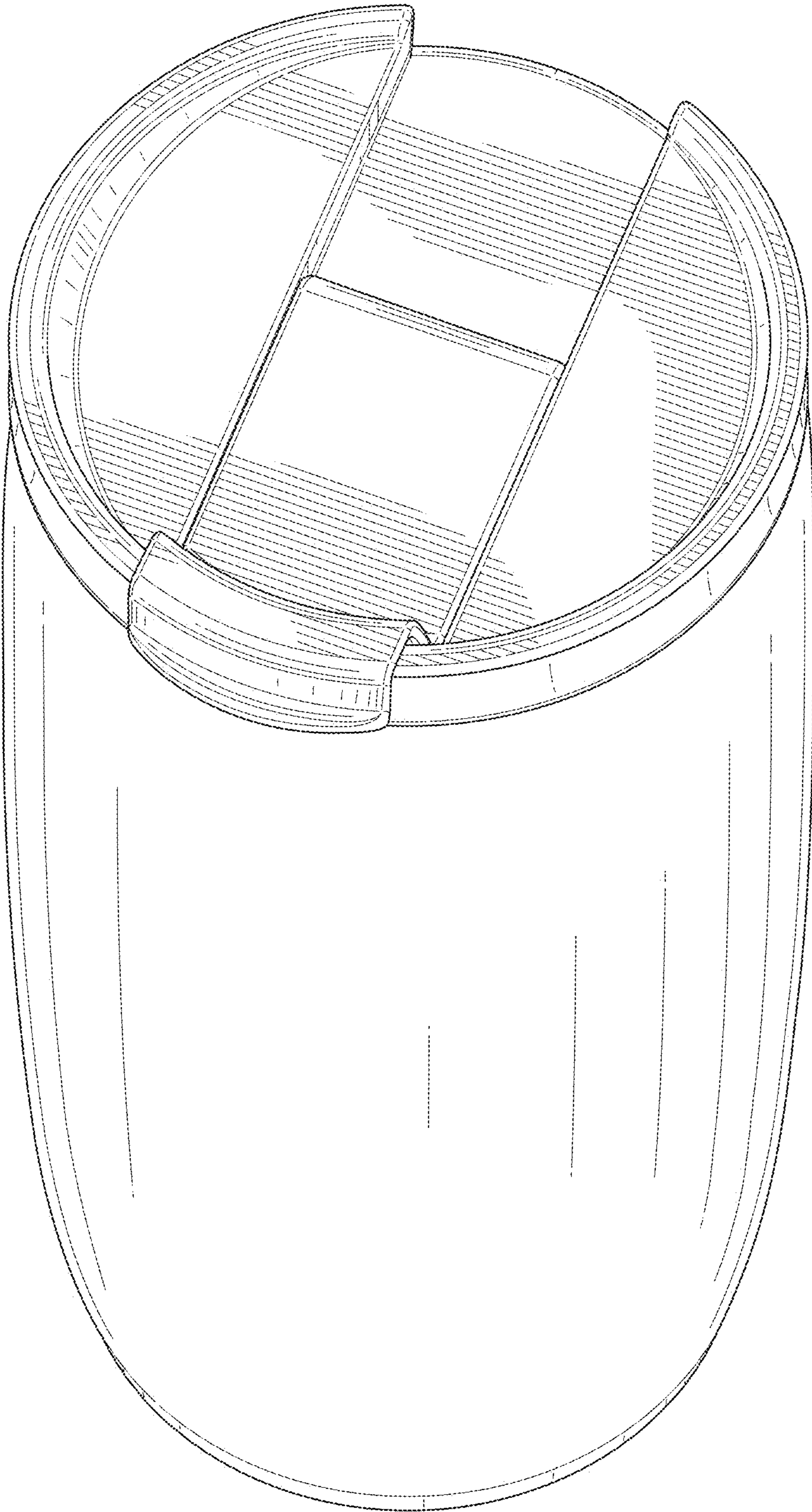


FIG. 1

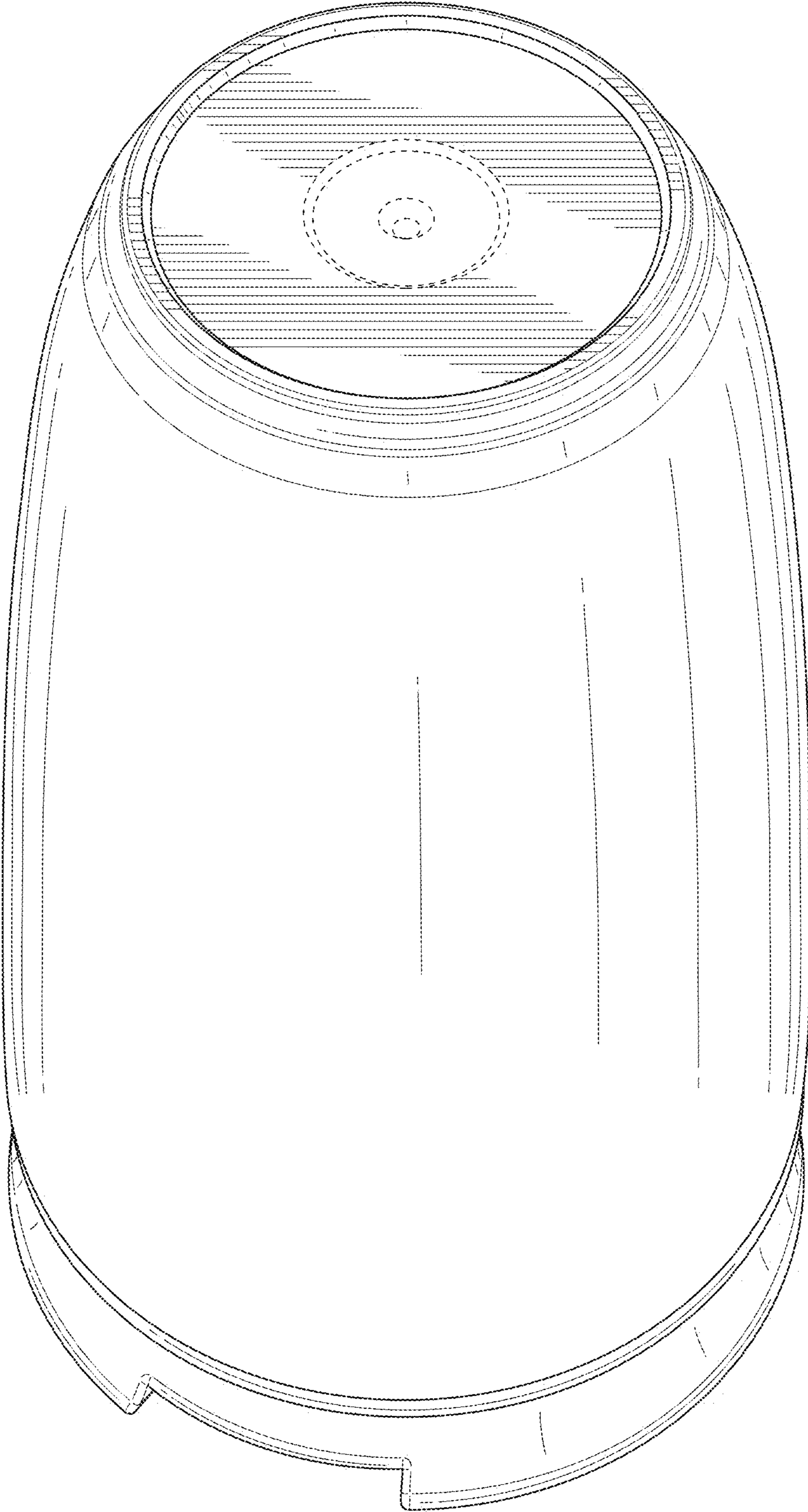


FIG. 2

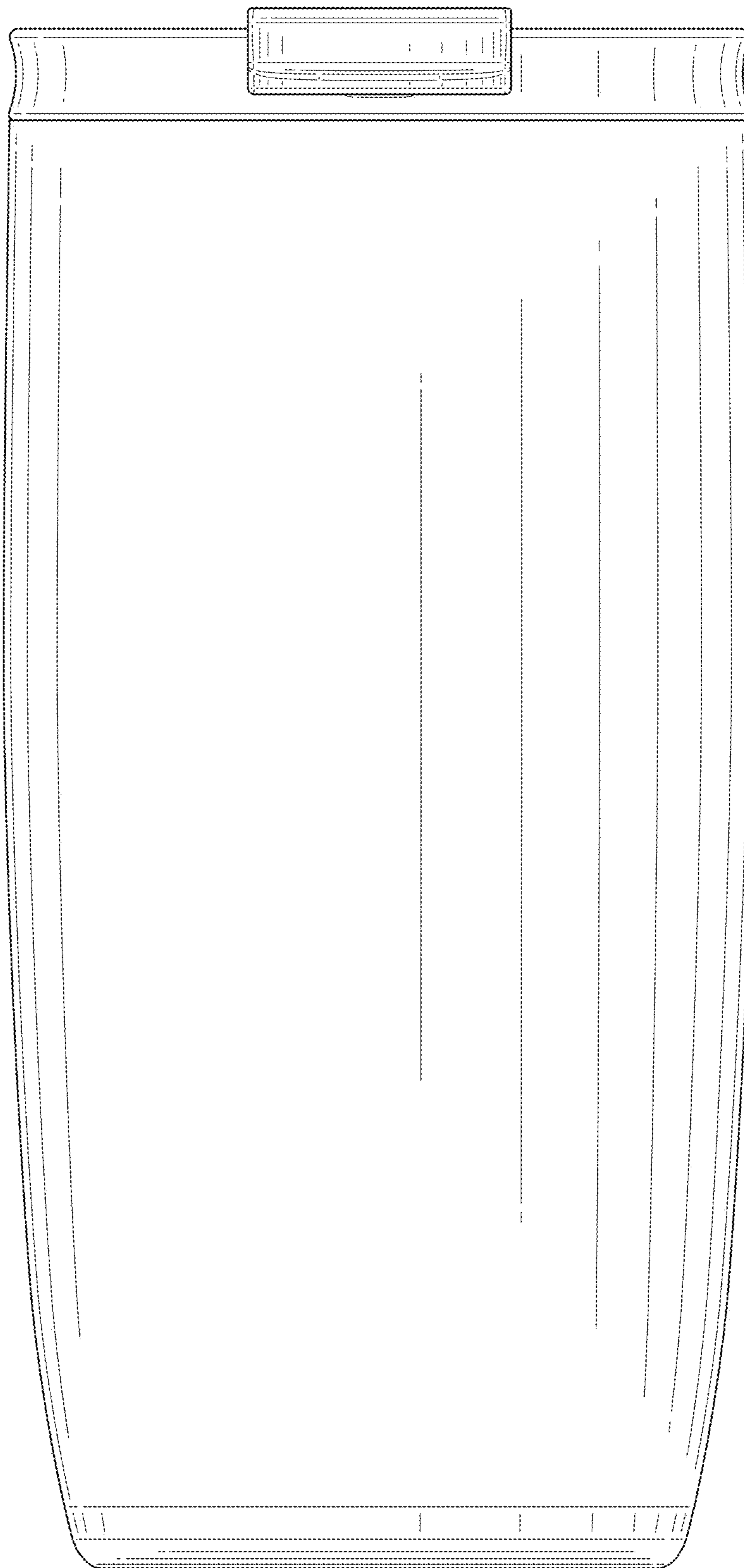


FIG. 3

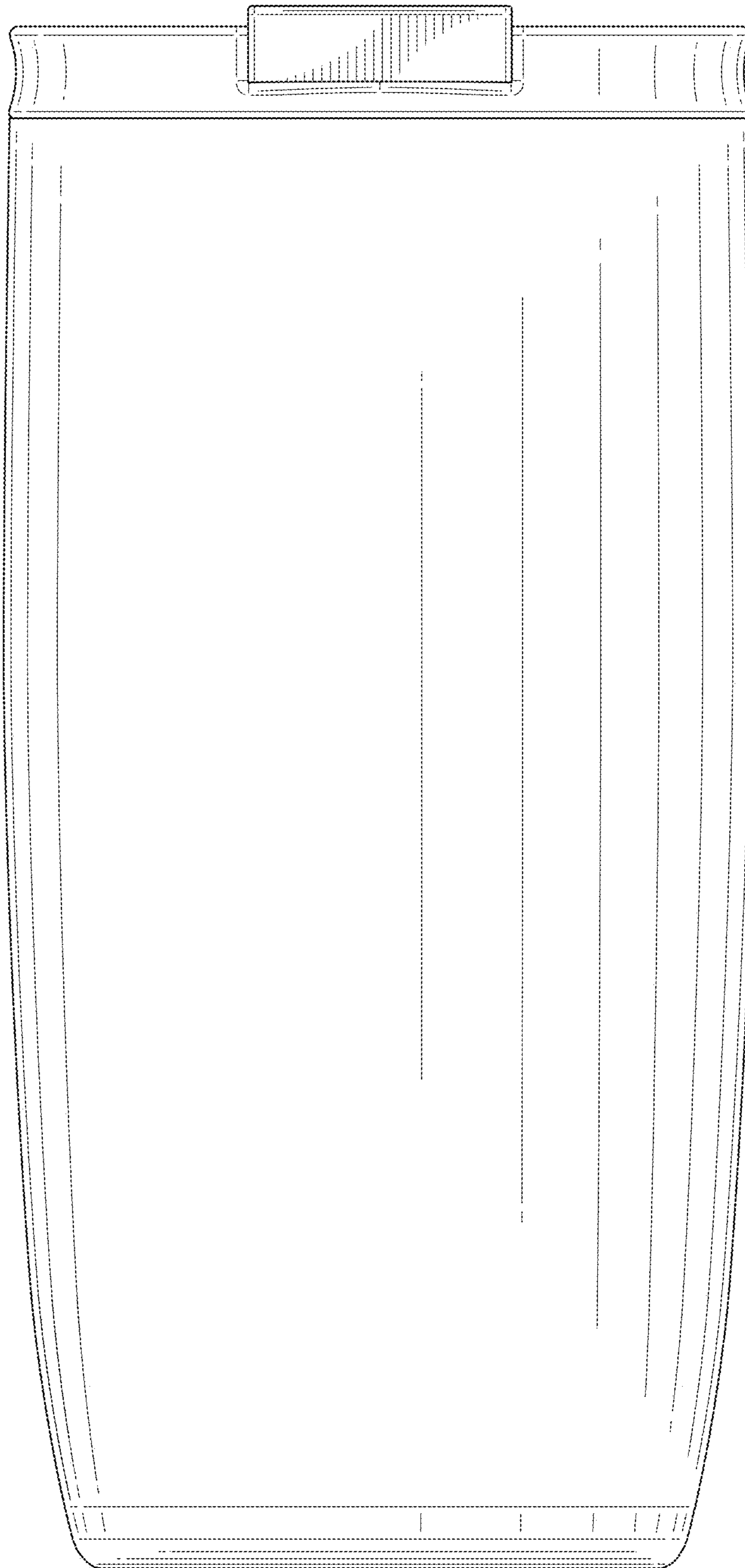


FIG. 4

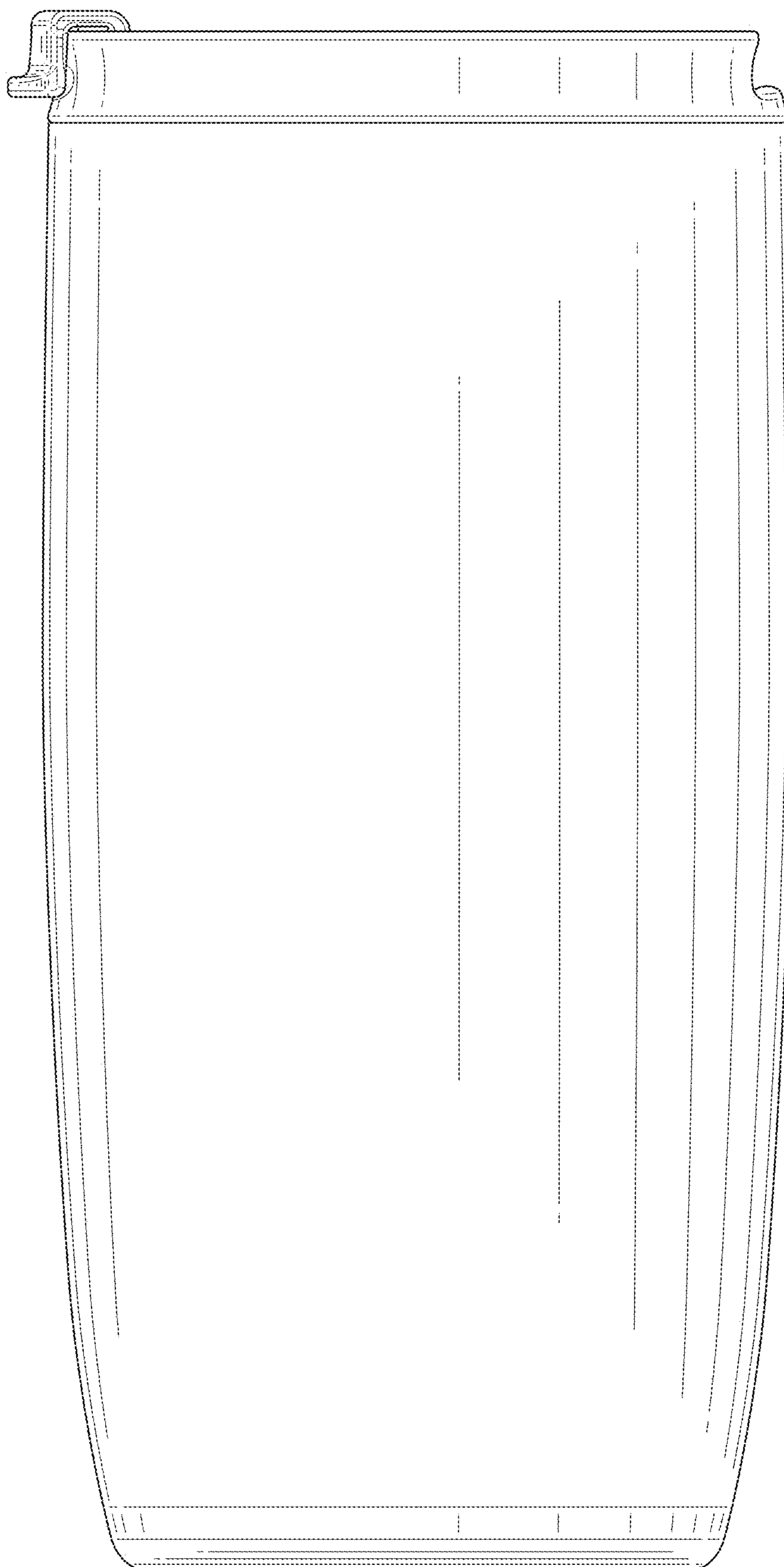


FIG. 5

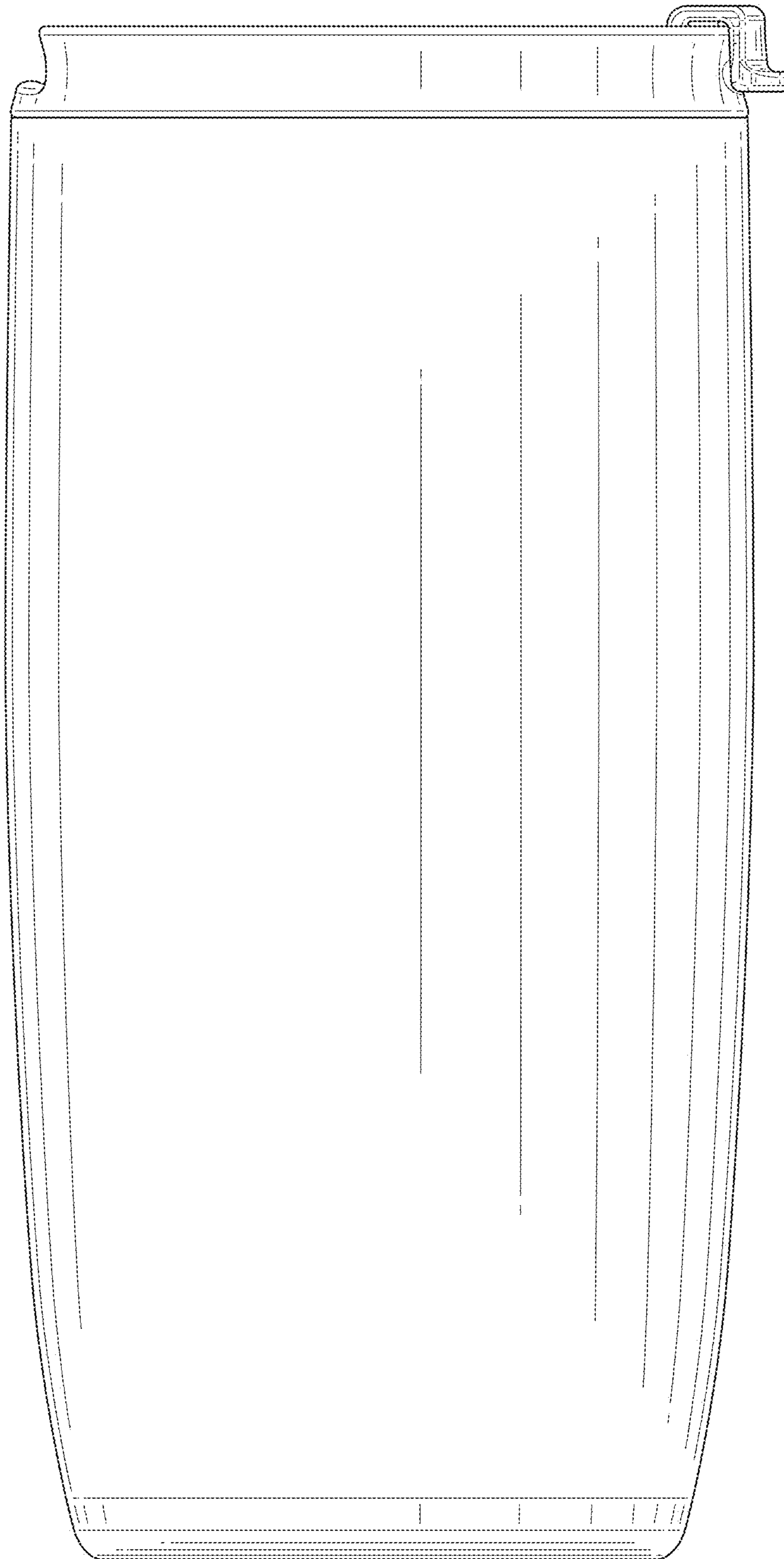


FIG. 6

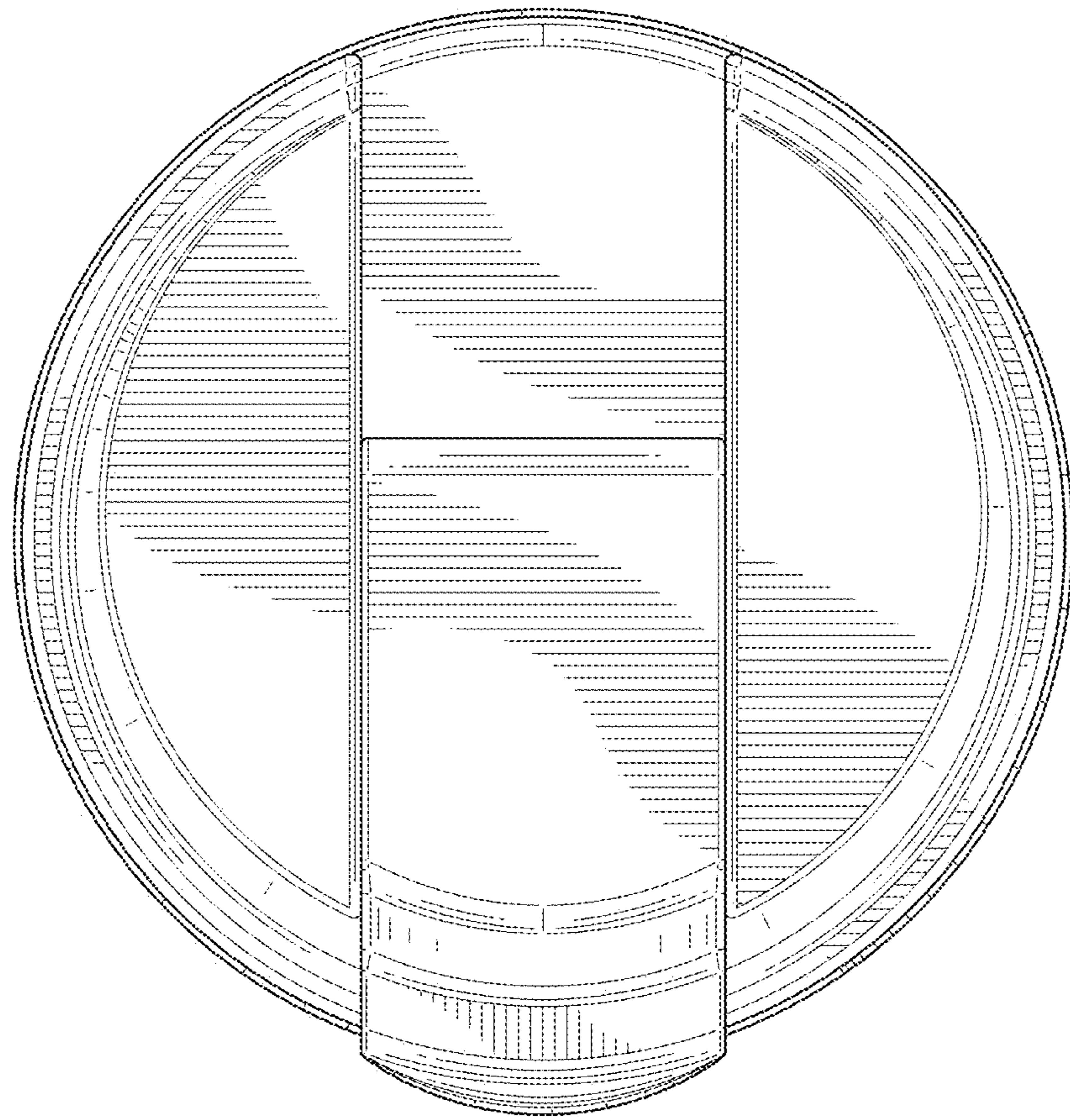


FIG. 7

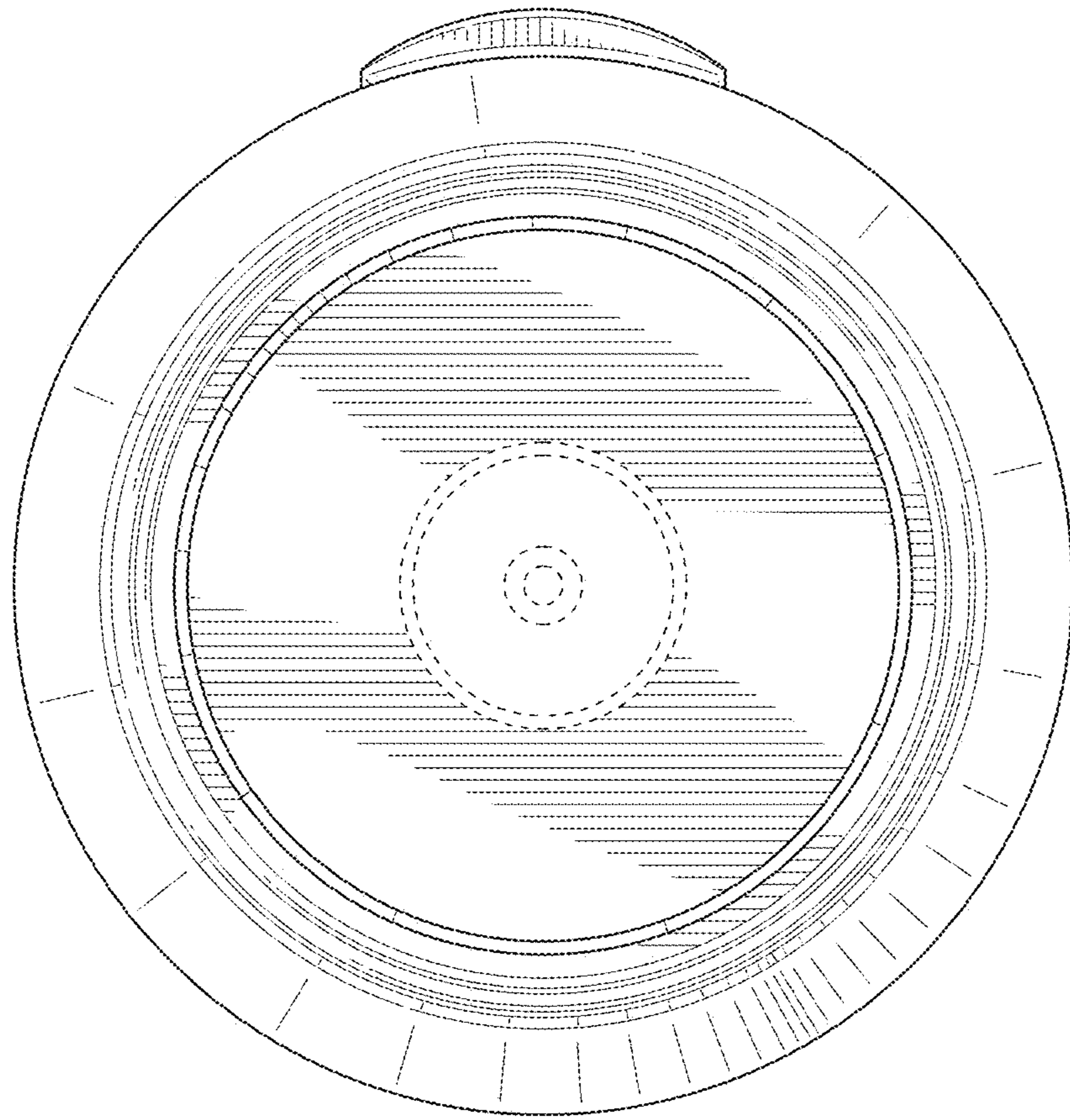


FIG. 8



FIG. 9

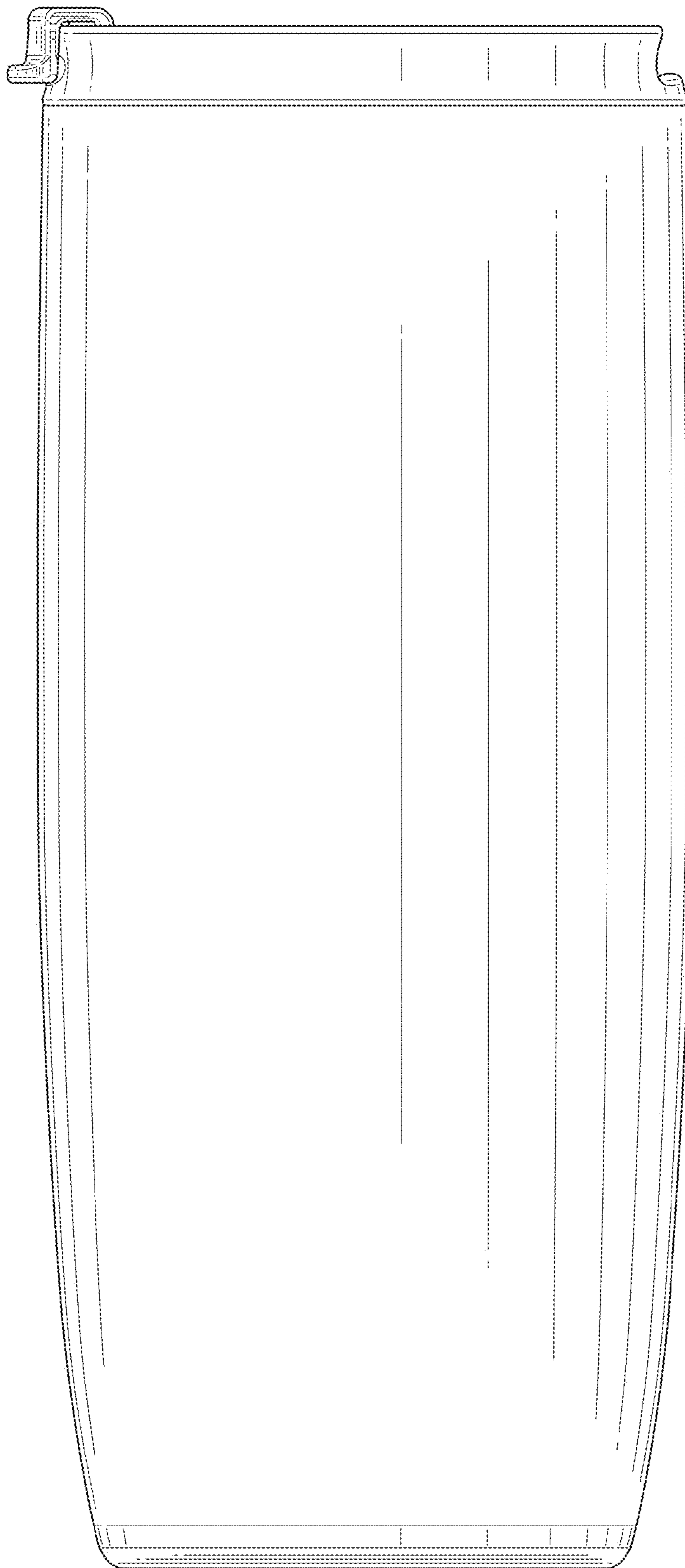


FIG. 10

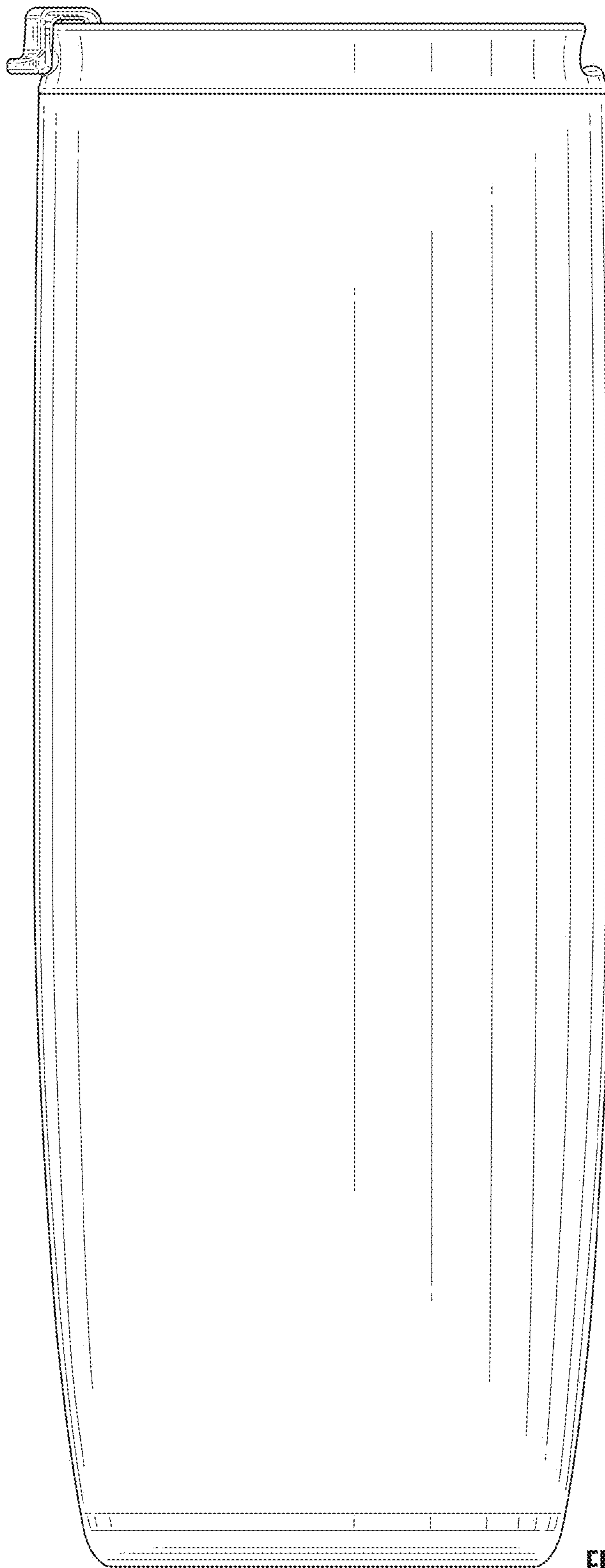


FIG. 11