



US00D934026S

(12) **United States Design Patent** (10) **Patent No.:** **US D934,026 S**  
**Taylor et al.** (45) **Date of Patent:** **\*\* Oct. 26, 2021**

(54) **BOTTLE LID**  
(71) Applicant: **Helen of Troy Limited**, St. Michael (BB)  
(72) Inventors: **Justin Taylor**, Bend, OR (US); **Ryan Diener**, Bend, OR (US); **Jarett Volkoff**, Bend, OR (US)

D656,820 S 4/2012 Willows  
8,215,511 B1 7/2012 Lin  
D668,148 S 10/2012 Sory  
D668,502 S 10/2012 Sakulsacha  
D689,735 S 9/2013 Redfern  
D690,336 S 9/2013 Gjersten  
D690,987 S 10/2013 Gallen  
D709,995 S 7/2014 Crabbe  
(Continued)

(73) Assignee: **Helen of Troy Limited**, St. Michael (BB)

(\*\*) Term: **15 Years**

(21) Appl. No.: **29/747,529**

(22) Filed: **Aug. 24, 2020**

**Related U.S. Application Data**

(62) Division of application No. 29/672,029, filed on Dec. 2, 2018, now Pat. No. Des. 895,351.

(51) **LOC (13) Cl.** ..... **07-01**

(52) **U.S. Cl.**  
USPC ..... **D7/396.2; D7/392.1**

(58) **Field of Classification Search**  
USPC ..... D7/391, 392, 392.1, 397, 510, 511, 542,  
D7/543, 602, 605, 629, 396.2; D9/435,  
D9/443, 447, 449, 454

CPC ..... B65D 43/0225  
See application file for complete search history.

(56) **References Cited**

**U.S. PATENT DOCUMENTS**

D277,825 S 3/1985 Whatley  
D398,193 S 9/1998 Sanchez  
D524,909 S 7/2006 Bakke  
D583,626 S 12/2008 Toth  
D615,816 S 5/2010 Joy  
D622,089 S 8/2010 Daniel  
D651,847 S 1/2012 Gilbert  
D653,499 S 2/2012 Dietterle  
D655,796 S 3/2012 DeWitt

**OTHER PUBLICATIONS**

“Hydro Flask Water Bottle, Wide Mouth with Free Flex Cap”. Found online Jun. 7, 2017 at amazon.com. Page dated May 10, 2016. Retrieved from [https://www.amazon.com/Hydro-Flask-Double-Insulated-Stainless/dp/B01ACAX702/ref=cm\\_cr\\_ar\\_p\\_d\\_product\\_top?ie=UTF8](https://www.amazon.com/Hydro-Flask-Double-Insulated-Stainless/dp/B01ACAX702/ref=cm_cr_ar_p_d_product_top?ie=UTF8).

(Continued)

*Primary Examiner* — Kendra Leslie Hamilton

(74) *Attorney, Agent, or Firm* — Rankin, Hill & Clark LLP

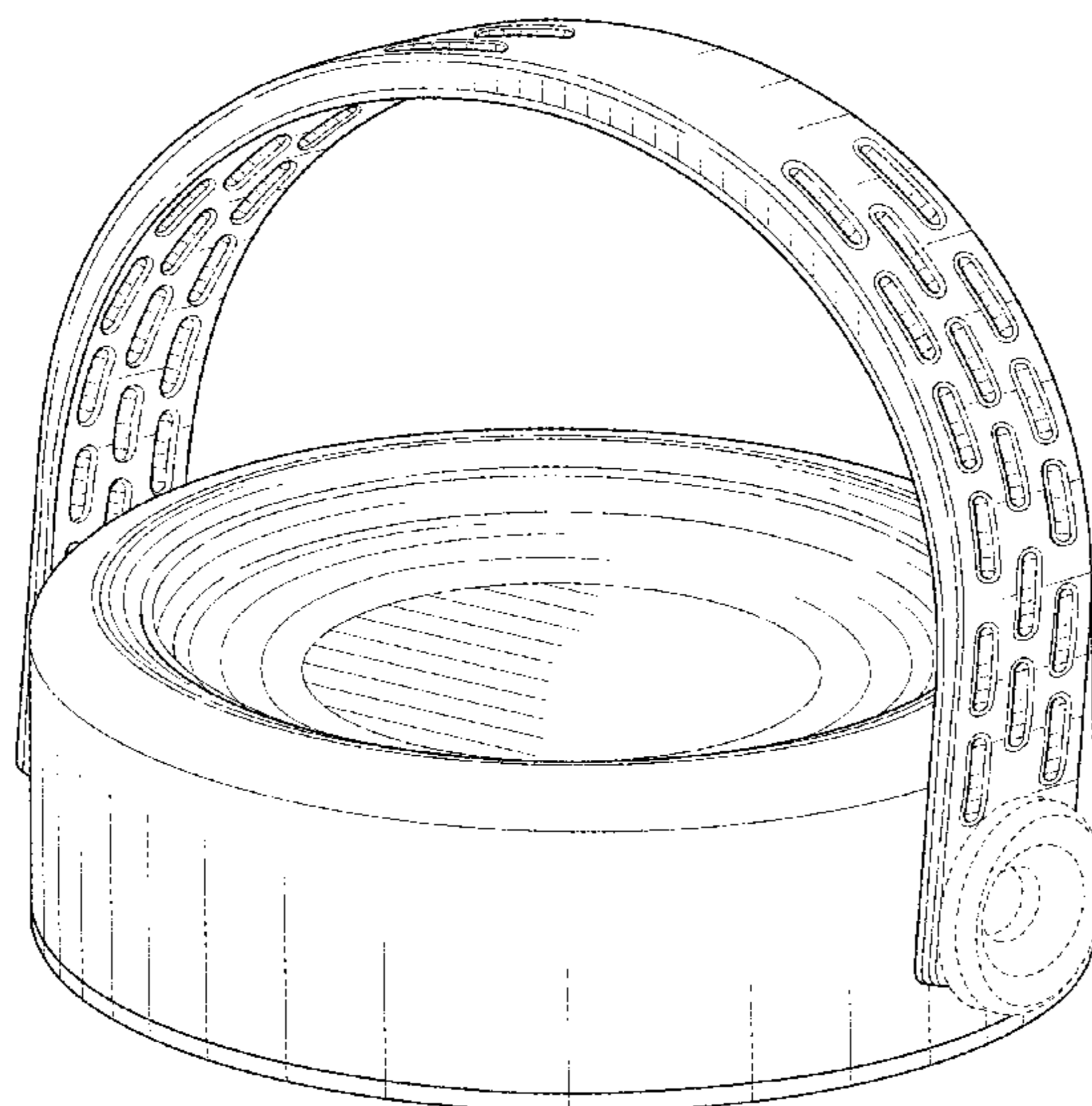
(57) **CLAIM**

The ornamental design for a bottle lid, as shown, and described.

**DESCRIPTION**

FIG. 1 is a top, front, left perspective view of a bottle lid showing our new design;  
FIG. 2 is a left side view thereof;  
FIG. 3 is a front elevation view thereof;  
FIG. 4 is a top plan view thereof;  
FIG. 5 is a bottom plan view thereof; and,  
FIG. 6 is a top, front, left perspective view of the bottle lid of FIG. 1, shown in a condition of use.  
The broken lines in FIG. 5 illustrate portions of the bottle lid that form no part of the claimed design. The broken lines in FIG. 6 showing a bottle illustrate environmental subject matter only and form no part of the claimed design.

**1 Claim, 6 Drawing Sheets**



(56)

References Cited

U.S. PATENT DOCUMENTS

D721,914 S 2/2015 Hakim  
 D755,561 S 5/2016 Eyai  
 D758,859 S 6/2016 Sorensen  
 D760,080 S 6/2016 Gorbald  
 D781,146 S 3/2017 Seiders  
 D808,248 S 1/2018 Krombein  
 9,950,556 B1 4/2018 Laemle et al.  
 D818,310 S 5/2018 Cheng  
 D818,360 S 5/2018 Oates, II  
 D820,085 S 6/2018 Moore  
 10,093,460 B2 \* 10/2018 Seiders ..... B65D 81/3837  
 D837,685 S 1/2019 Miki  
 D841,398 S 2/2019 Gauss  
 D849,482 S 5/2019 Diener  
 D852,041 S 6/2019 Aviles  
 D853,236 S 7/2019 Yao  
 D853,237 S \* 7/2019 Yao ..... D9/436  
 D853,238 S 7/2019 Yao  
 D857,456 S 8/2019 Bell  
 D867,880 S 11/2019 Sacchetti  
 D872,524 S 1/2020 Bo  
 D875,466 S \* 2/2020 Diener ..... D7/396.2  
 D877,560 S \* 3/2020 Lane ..... D7/392  
 D880,230 S \* 4/2020 Jacobsen ..... D7/396.2  
 D880,954 S 4/2020 McCutchen  
 D885,837 S 6/2020 Bo

D887,776 S 6/2020 Bo  
 10,669,081 B2 \* 6/2020 Sullivan ..... B65D 47/122  
 D893,938 S \* 8/2020 Kander ..... D7/392.1  
 D895,351 S \* 9/2020 Taylor ..... D7/392.1  
 D899,186 S \* 10/2020 McLean ..... D7/510  
 D901,976 S \* 11/2020 Sibbert ..... D7/511  
 D911,771 S \* 3/2021 Zhang ..... D7/392.1  
 2008/0078787 A1 4/2008 Yelland  
 2008/0169260 A1 \* 7/2008 Hansson ..... F01M 11/0408  
 215/216  
 2014/0069917 A1 3/2014 Meyers  
 2015/0336720 A1 11/2015 Gorbald  
 2016/0318693 A1 11/2016 Hein  
 2016/0324350 A1 11/2016 Rogers

OTHER PUBLICATIONS

“KOLD Sports Water Bottle, Wide Mouth, with Caribiner Handle Lid”. Found online Jun. 7, 2017 at amazon.com. Page dated Dec. 1, 2015. Retrieved from [https://www.amazon.com/KOLD-Sports-Water-Bottles-Insulted/dp/B018YHK79E/ref=cm\\_cr\\_arp\\_d\\_oridict\\_tio?ue=YTF8](https://www.amazon.com/KOLD-Sports-Water-Bottles-Insulted/dp/B018YHK79E/ref=cm_cr_arp_d_oridict_tio?ue=YTF8).  
 “Klean Kanteen Pint Lid”. Found online Feb. 7, 2020 at amazon.com. Page dated Nov. 17, 2009. Retrieved from [https://www.amazon.com/Klean-Kanteen-Stainless-D-Ring-Bottle/dp/B0093IKZGY/ref=cm\\_cr\\_arp\\_d\\_product\\_top?ie=UTF8](https://www.amazon.com/Klean-Kanteen-Stainless-D-Ring-Bottle/dp/B0093IKZGY/ref=cm_cr_arp_d_product_top?ie=UTF8).

\* cited by examiner

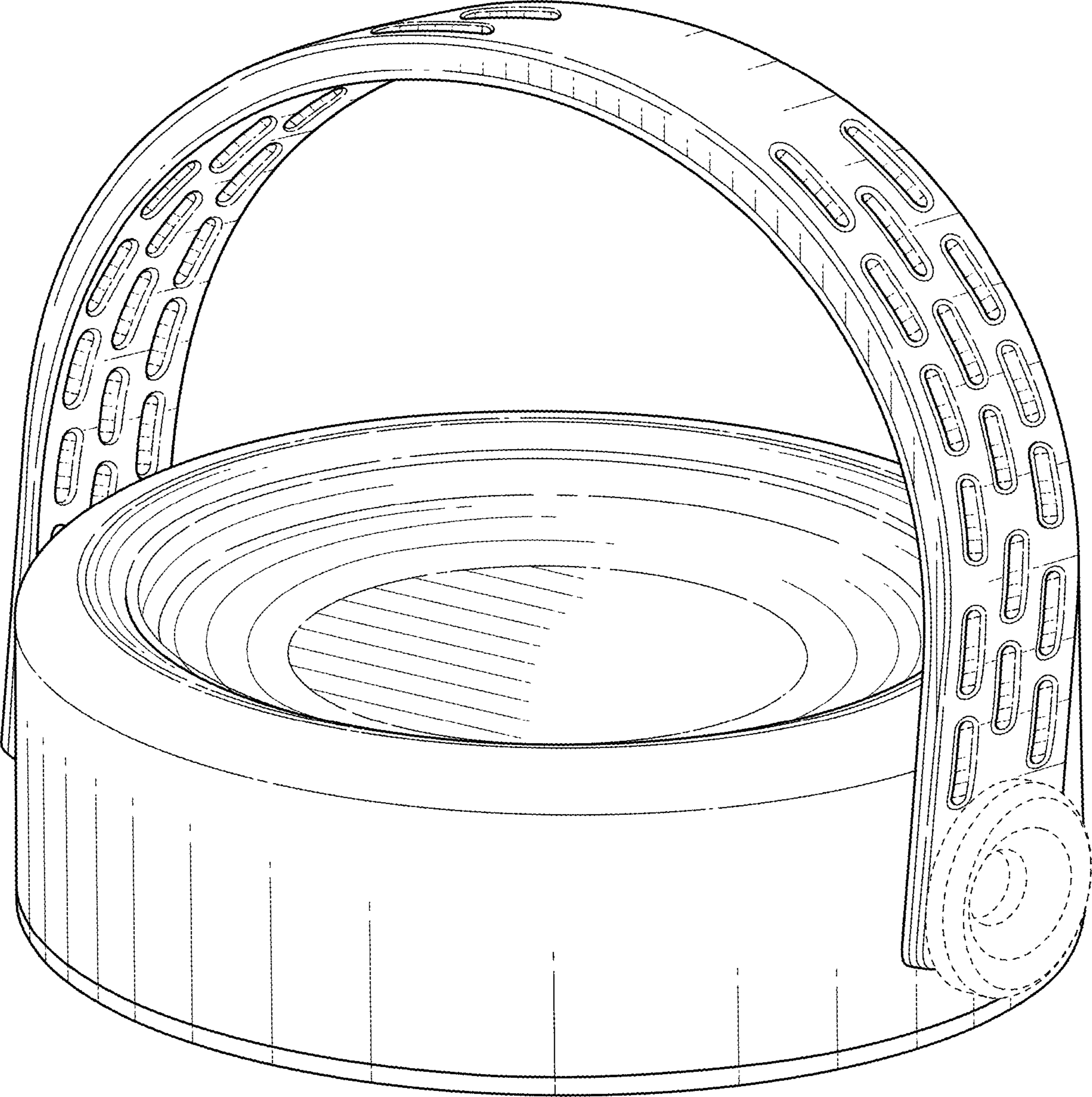


FIG. 1

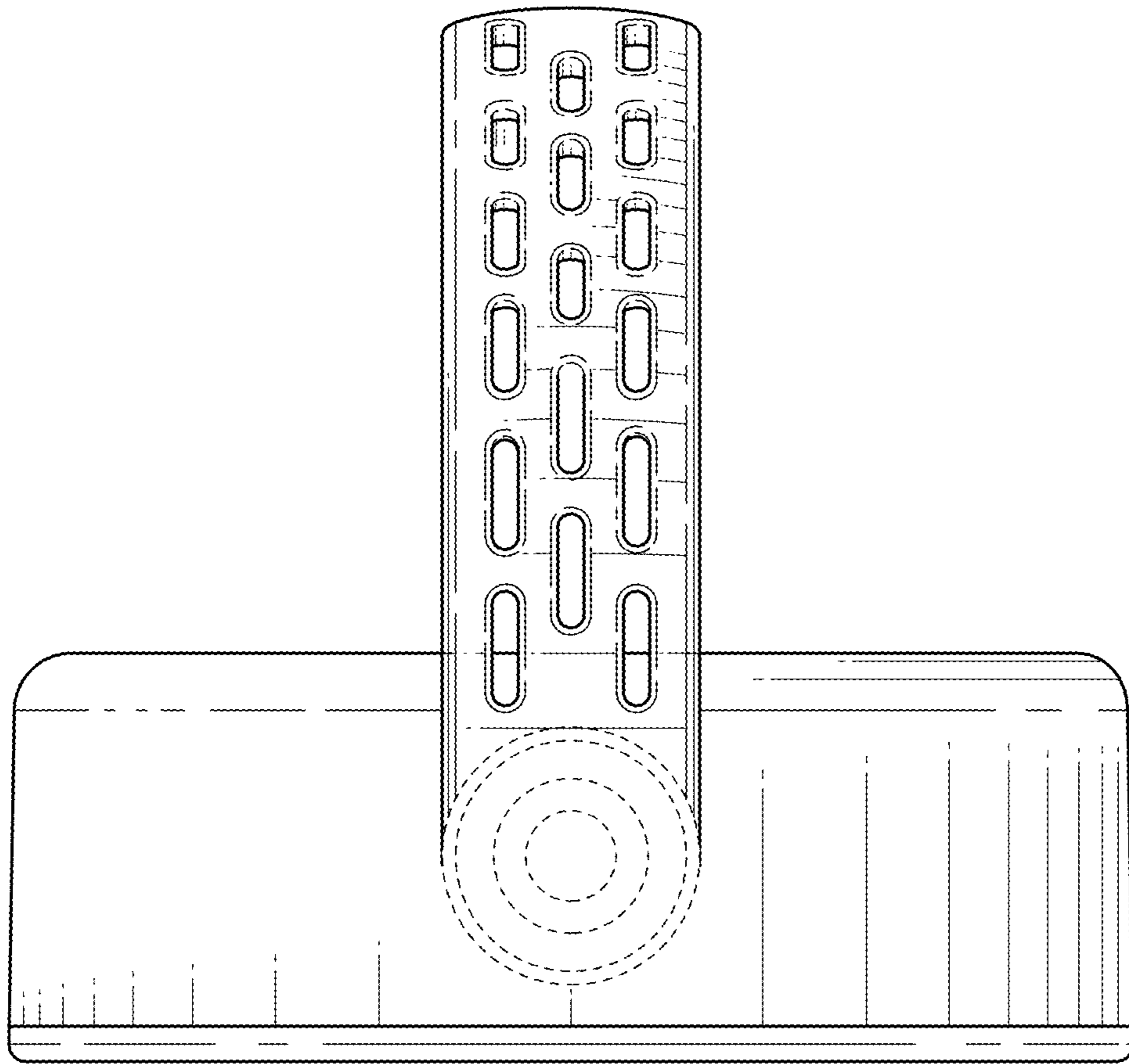


FIG. 2

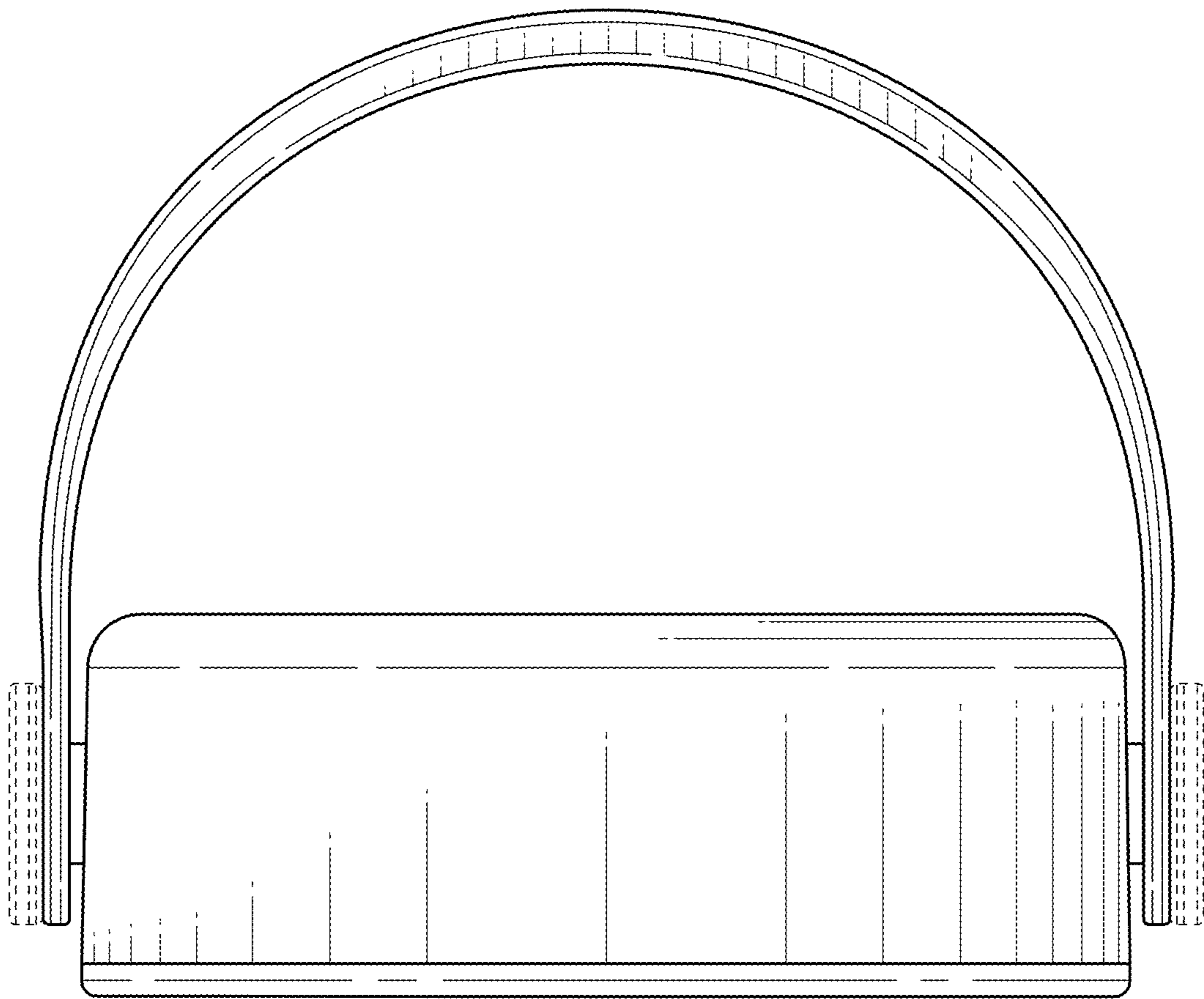


FIG. 3

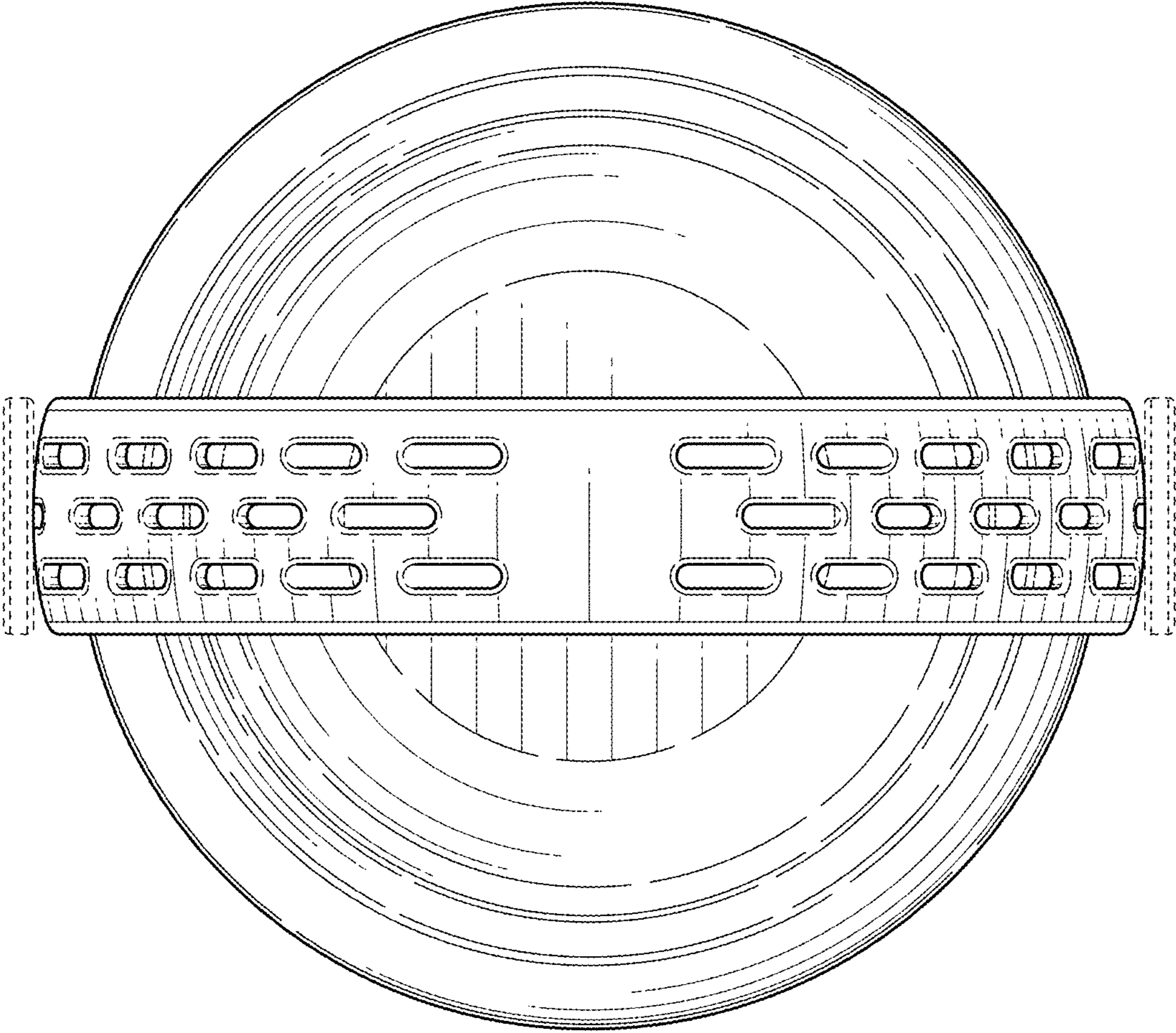


FIG. 4

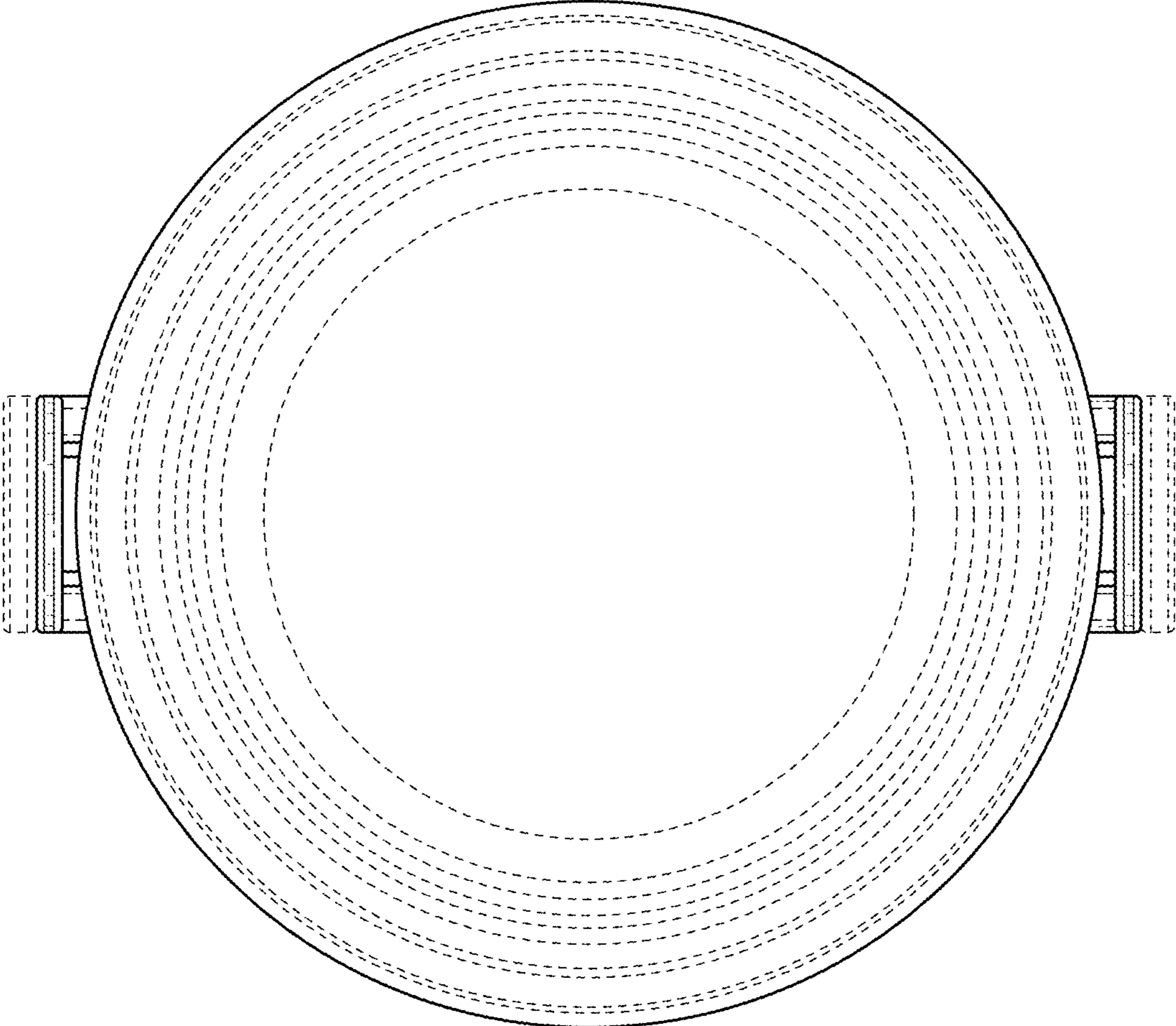


FIG. 5

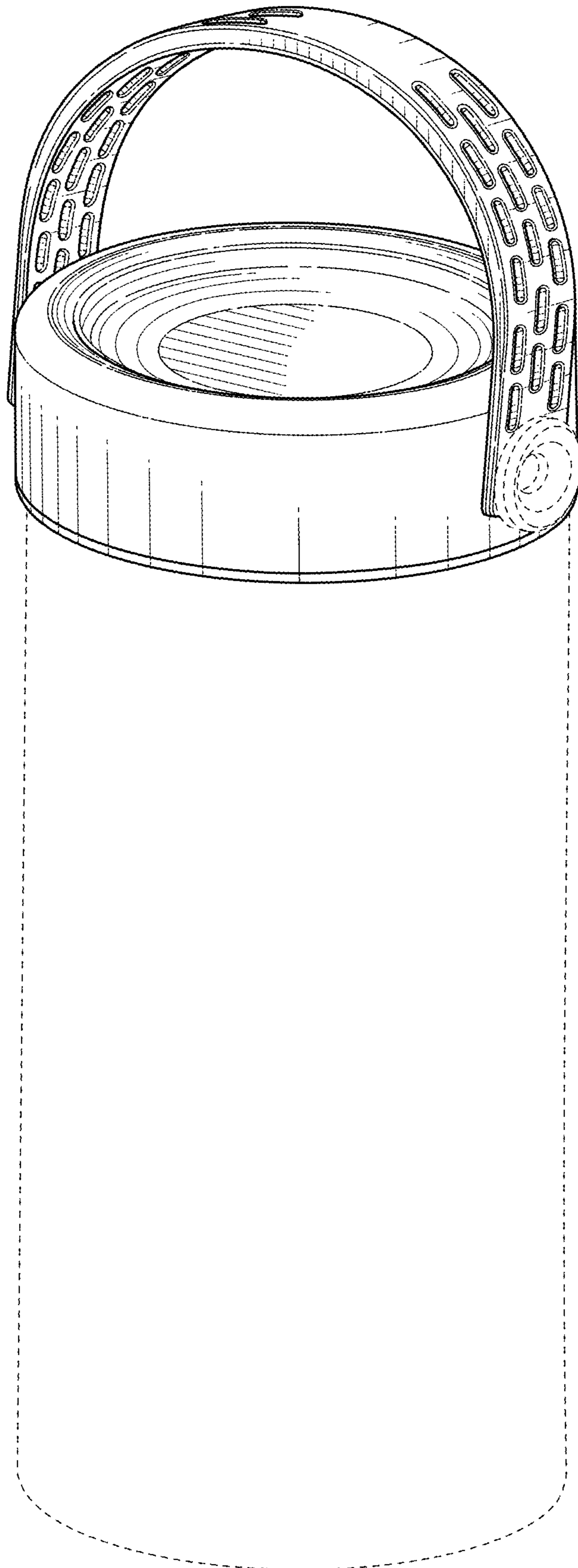


FIG. 6