



US00D934025S

(12) **United States Design Patent** (10) **Patent No.:** **US D934,025 S**
Silsby et al. (45) **Date of Patent:** **** Oct. 26, 2021**

(54) **BEVERAGE CONTAINER**
(71) Applicant: **Pacific Market International, LLC**,
Seattle, WA (US)
(72) Inventors: **Jacob D. Silsby**, Seattle, WA (US);
Andrew C. F. Wahl, Seattle, WA (US)
(73) Assignee: **Pacific Market International, LLC**,
Seattle, WA (US)
(**) Term: **15 Years**
(21) Appl. No.: **29/691,997**
(22) Filed: **May 21, 2019**
(51) **LOC (13) Cl.** **07-01**
(52) **U.S. Cl.**
USPC **D7/392.1**; D7/396.2
(58) **Field of Classification Search**
USPC D7/507, 509, 510, 511, 523, 533, 534,
D7/535, 536, 608, 392.1, 396.2, 515, 516;
D8/107, 300; D24/197; D9/517, 532,
D9/503; 220/710.5, 592.16, 592.17
CPC D47G 19/22; B65D 1/265; A47G 19/2266;
A47G 19/2211; A47J 41/02; A47J
41/0088; A45F 3/16
See application file for complete search history.

(56) **References Cited**

U.S. PATENT DOCUMENTS

D374,401 S * 10/1996 Behnen, Jr. D7/392.1
D531,036 S * 10/2006 Bried D9/504
D577,290 S * 9/2008 Moretti D9/500
D615,817 S * 5/2010 George D7/510
D621,666 S * 8/2010 Wahl D7/608
D641,591 S * 7/2011 Tsukida D7/608
D655,134 S * 3/2012 Gilbert D7/510
D660,081 S * 5/2012 Gilbert D7/509
D695,138 S 12/2013 Ball
D700,802 S * 3/2014 Miller D7/392.1

D701,079 S 3/2014 Arora
D707,492 S * 6/2014 George D7/510
D729,585 S * 5/2015 Boroski D7/511
D746,701 S 1/2016 Pape
D748,942 S * 2/2016 Boroski D7/391
D772,652 S * 11/2016 Yao D7/511
D774,837 S 12/2016 Seiders et al.
D778,677 S * 2/2017 Boroski D7/511
D780,578 S * 3/2017 Lane D9/445
D809,347 S * 2/2018 Silsby D7/608
D819,402 S * 6/2018 Silsby D7/510
D827,377 S * 9/2018 Silsby D7/510
D831,434 S * 10/2018 Washburn D7/608
D857,462 S 8/2019 Silsby et al.
D862,992 S 10/2019 Wong
D878,160 S * 3/2020 Corbet D7/523
D880,941 S * 4/2020 Silsby D7/510
2014/0061208 A1 3/2014 Boyd

* cited by examiner

Primary Examiner — Jae Liang

(74) *Attorney, Agent, or Firm* — George C. Rondeau, Jr.;
Davis Wright Tremaine, LLP

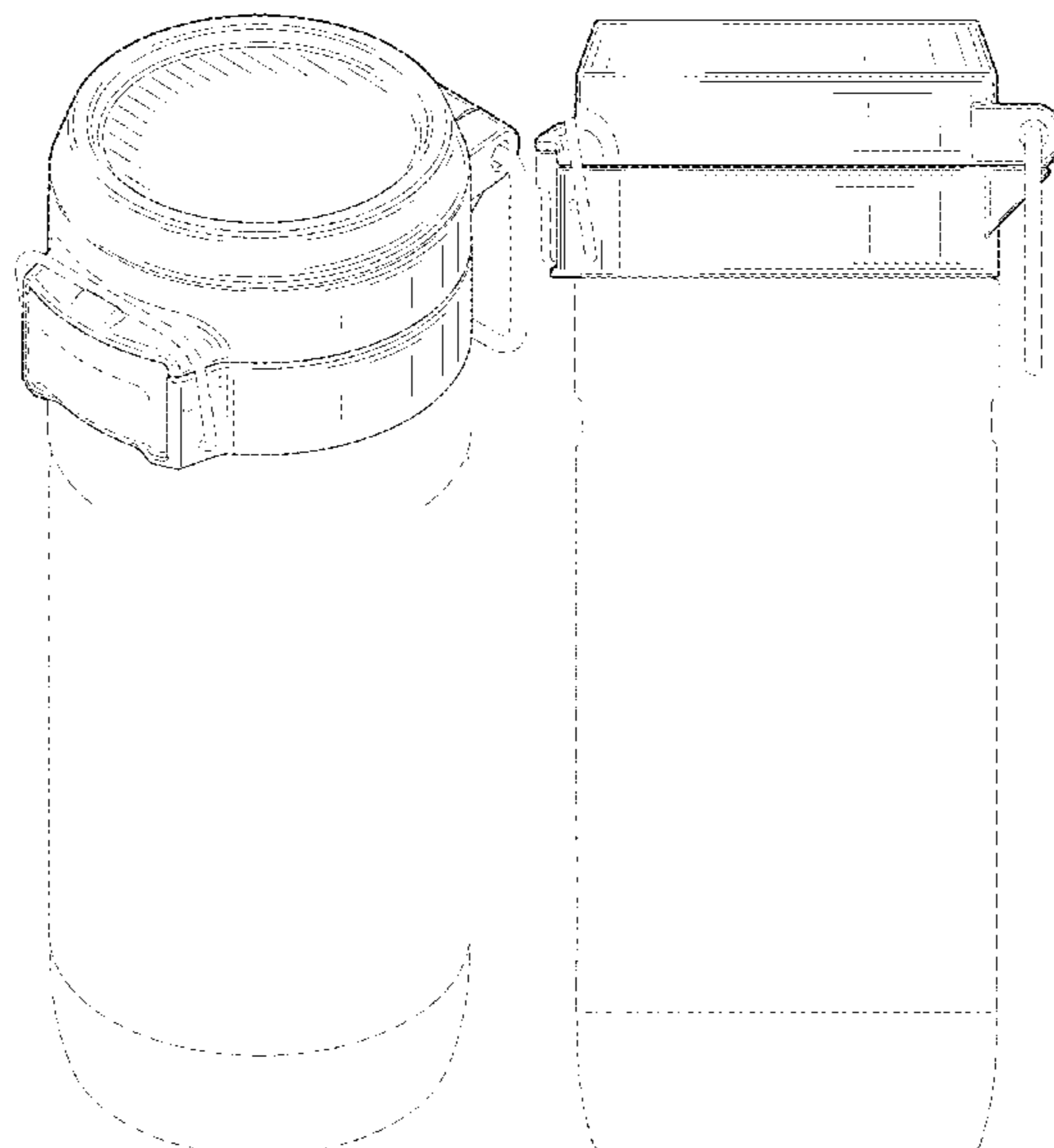
(57) **CLAIM**

The ornamental design for a beverage container, as shown
and described.

DESCRIPTION

FIG. 1 is a top perspective view of a beverage container
showing our new design;
FIG. 2 is a bottom perspective view thereof;
FIG. 3 is a left side elevational view thereof;
FIG. 4 is a front elevational view thereof;
FIG. 5 is a right side elevational view thereof;
FIG. 6 is a rear elevational view thereof;
FIG. 7 is a top plan view thereof; and,
FIG. 8 is a bottom plan view thereof.
The broken lines depict portions of the beverage container
that form no part of the claimed design.

1 Claim, 7 Drawing Sheets



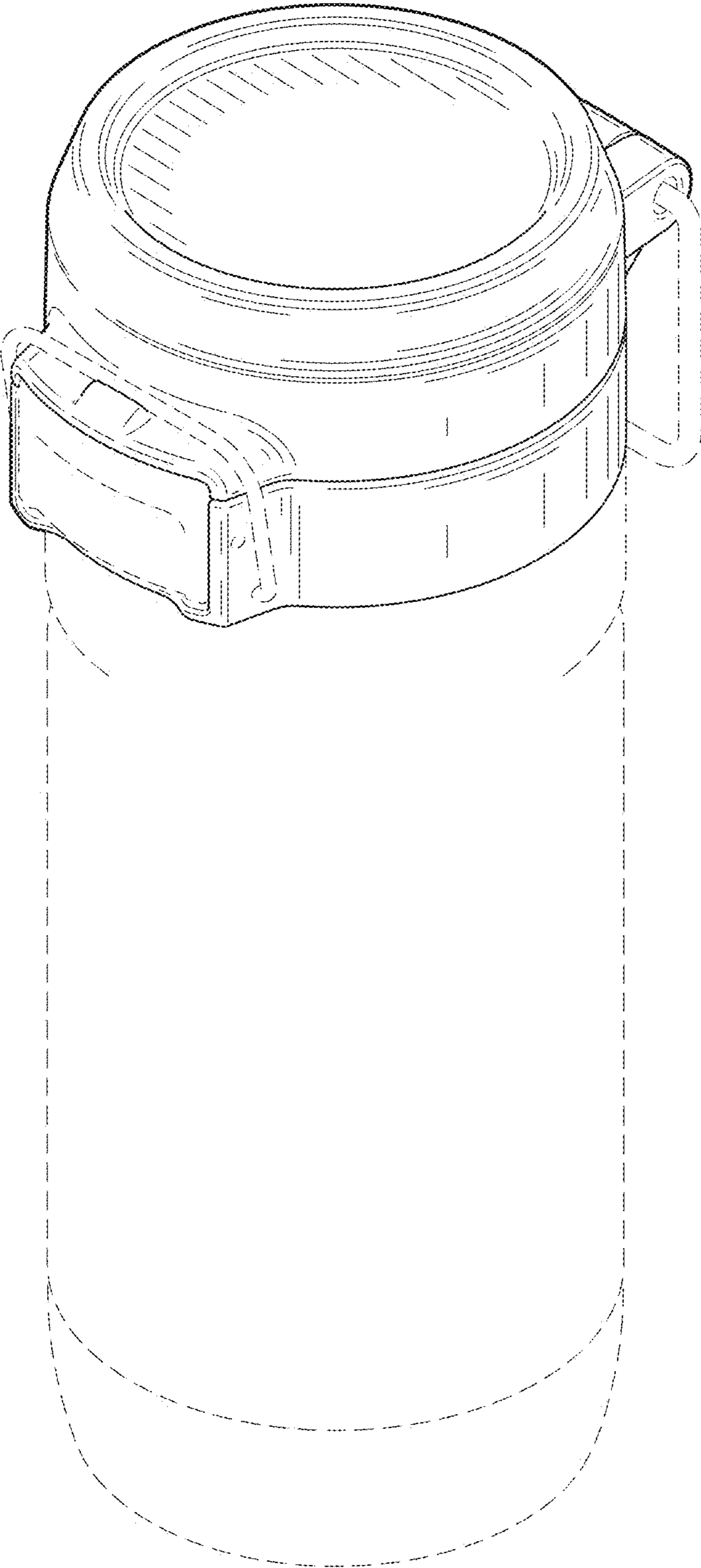


FIG. 1

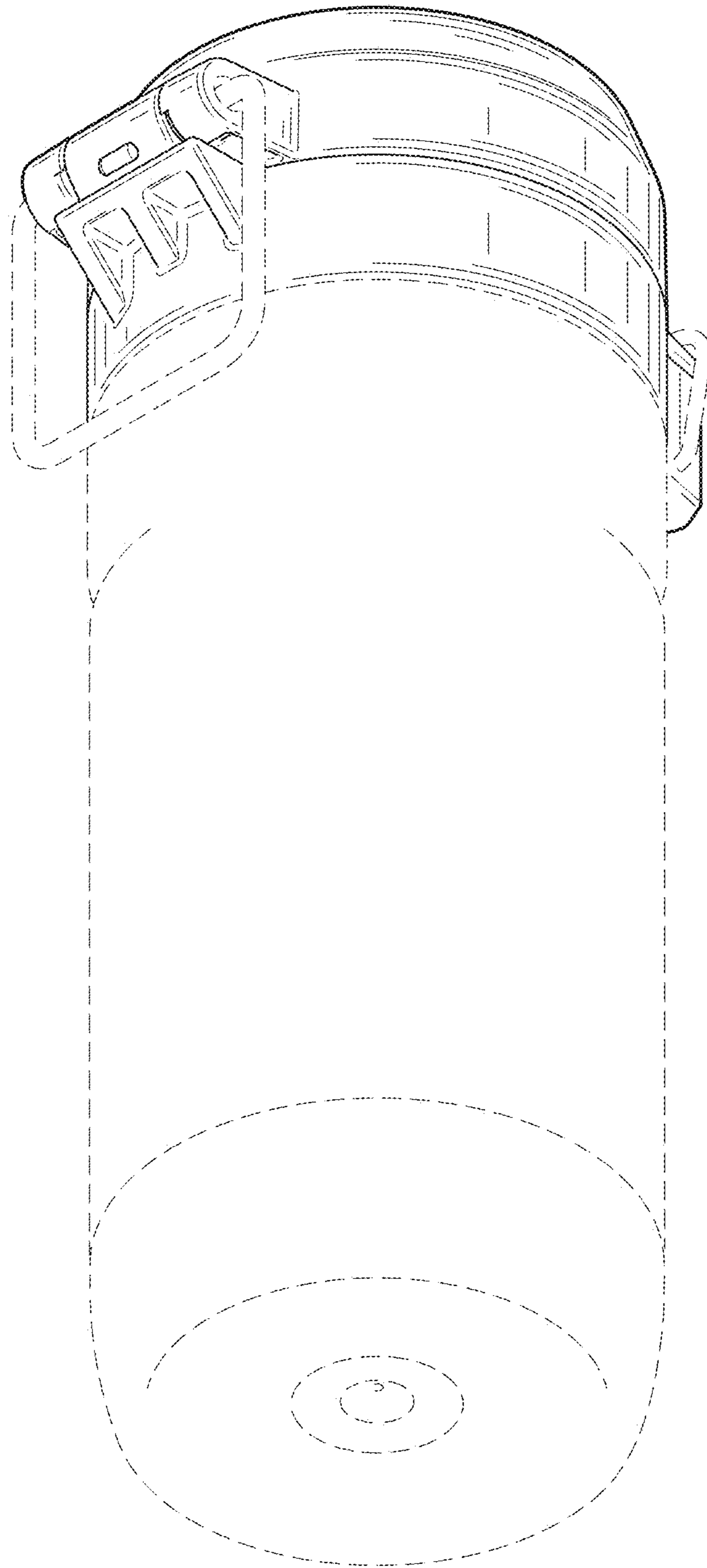


FIG. 2

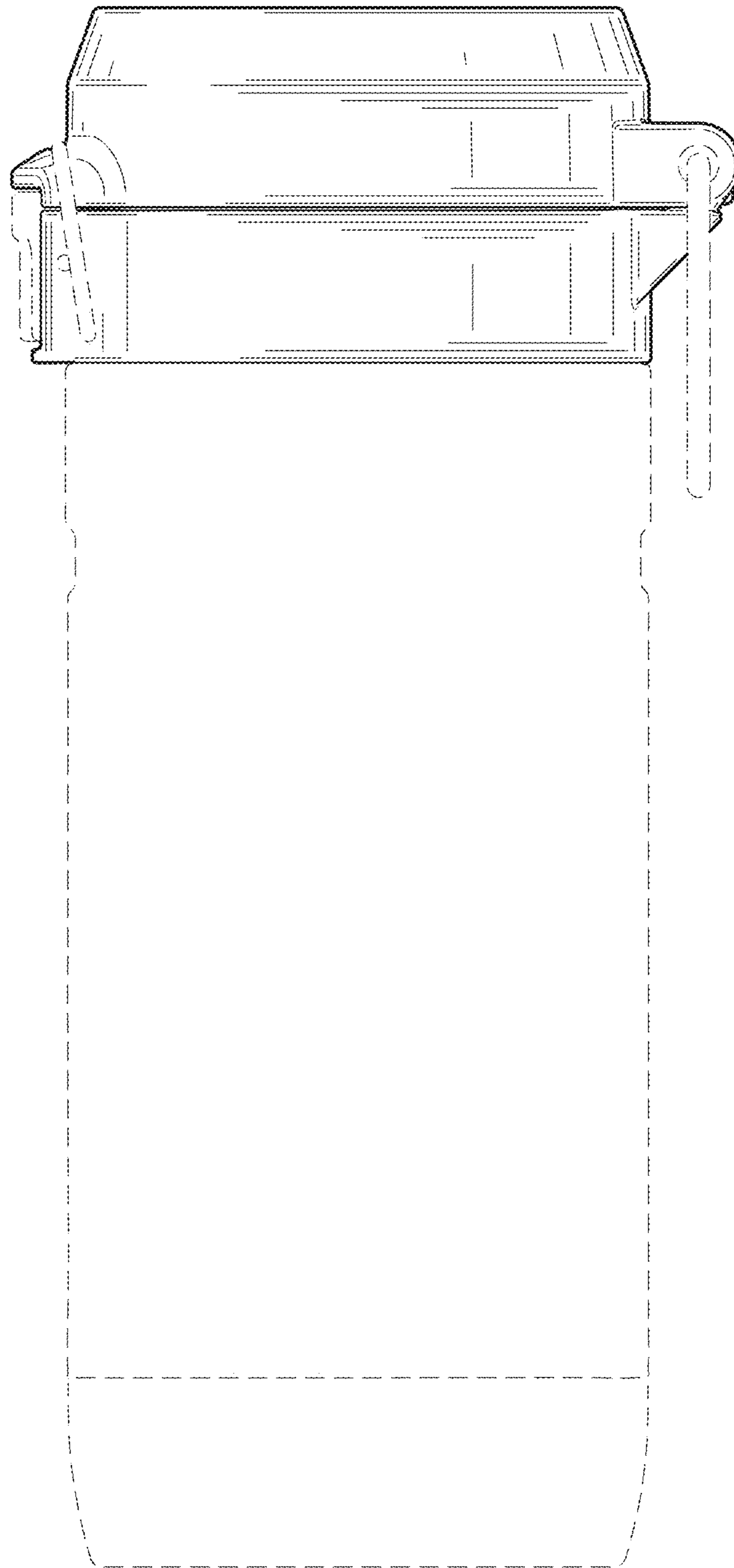


FIG. 3

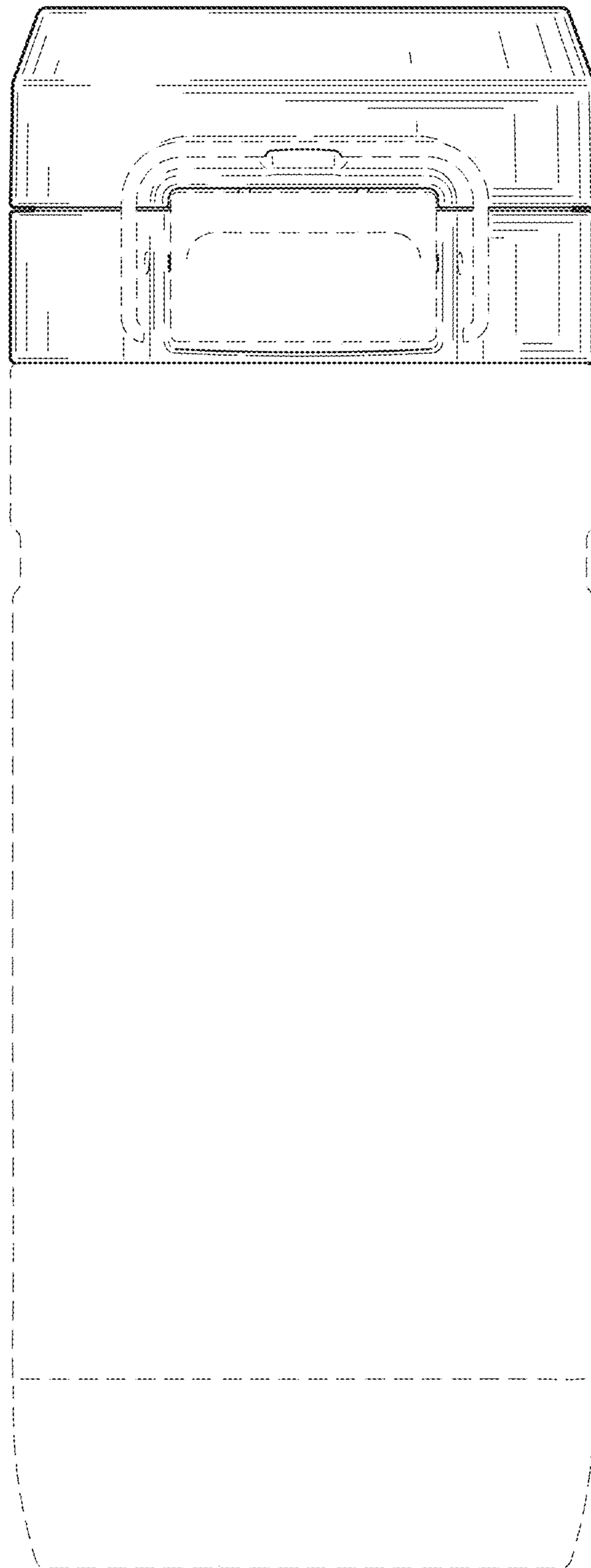


FIG. 4

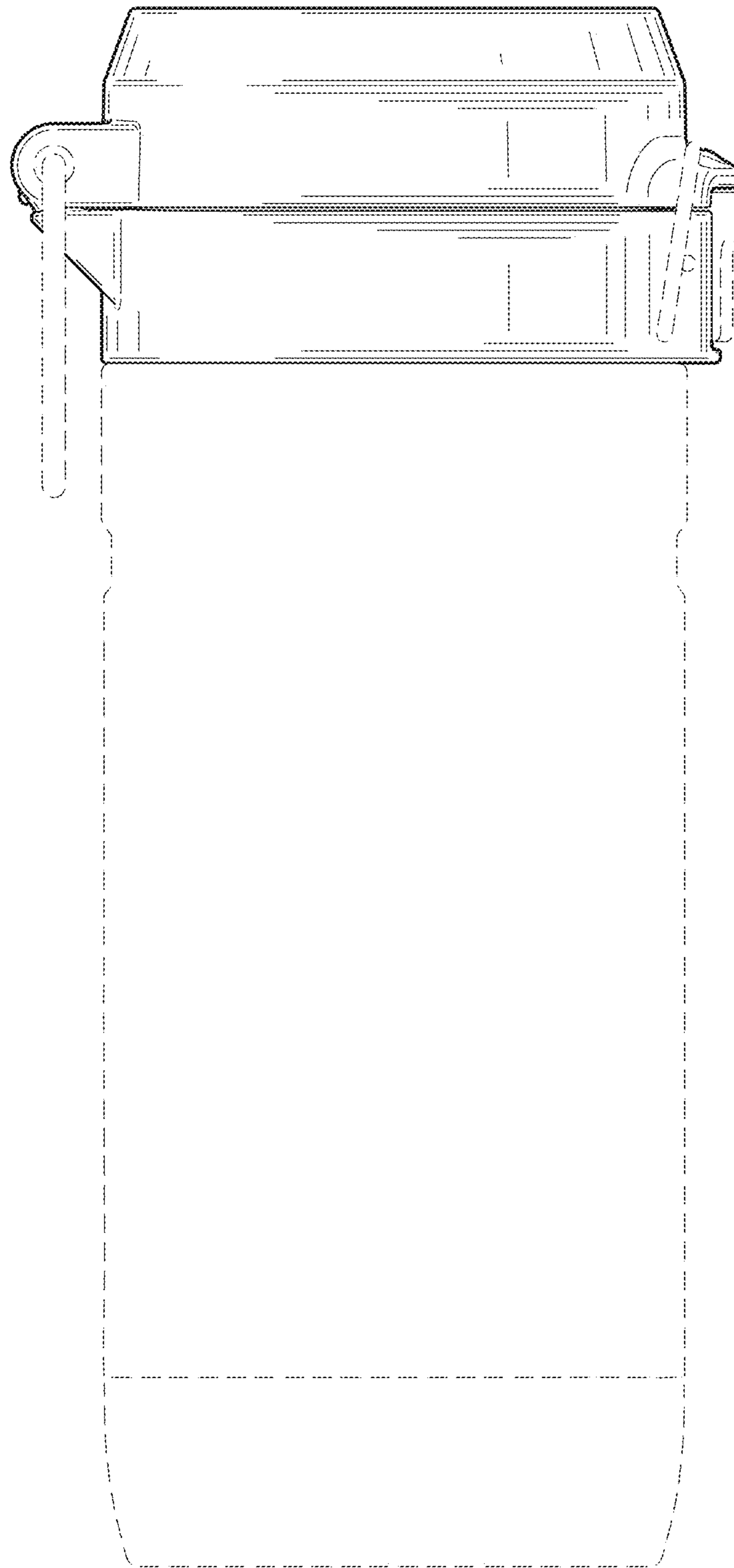


FIG. 5

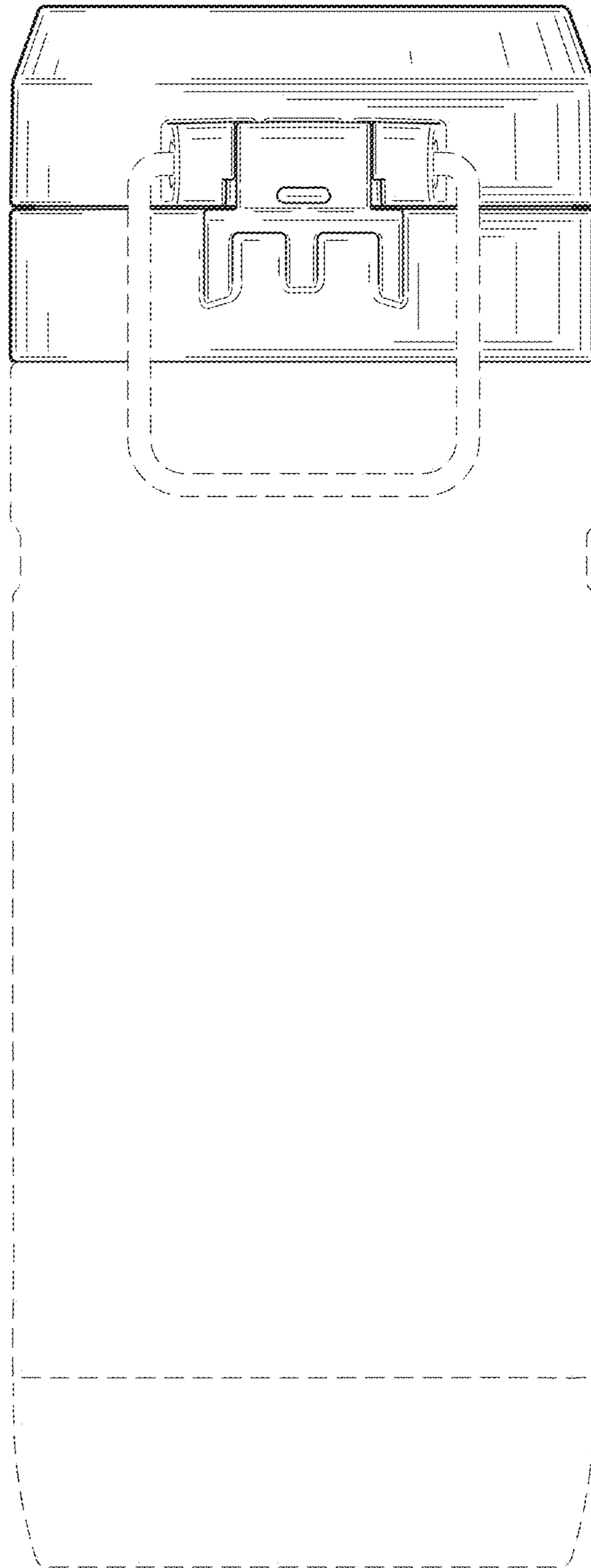


FIG. 6

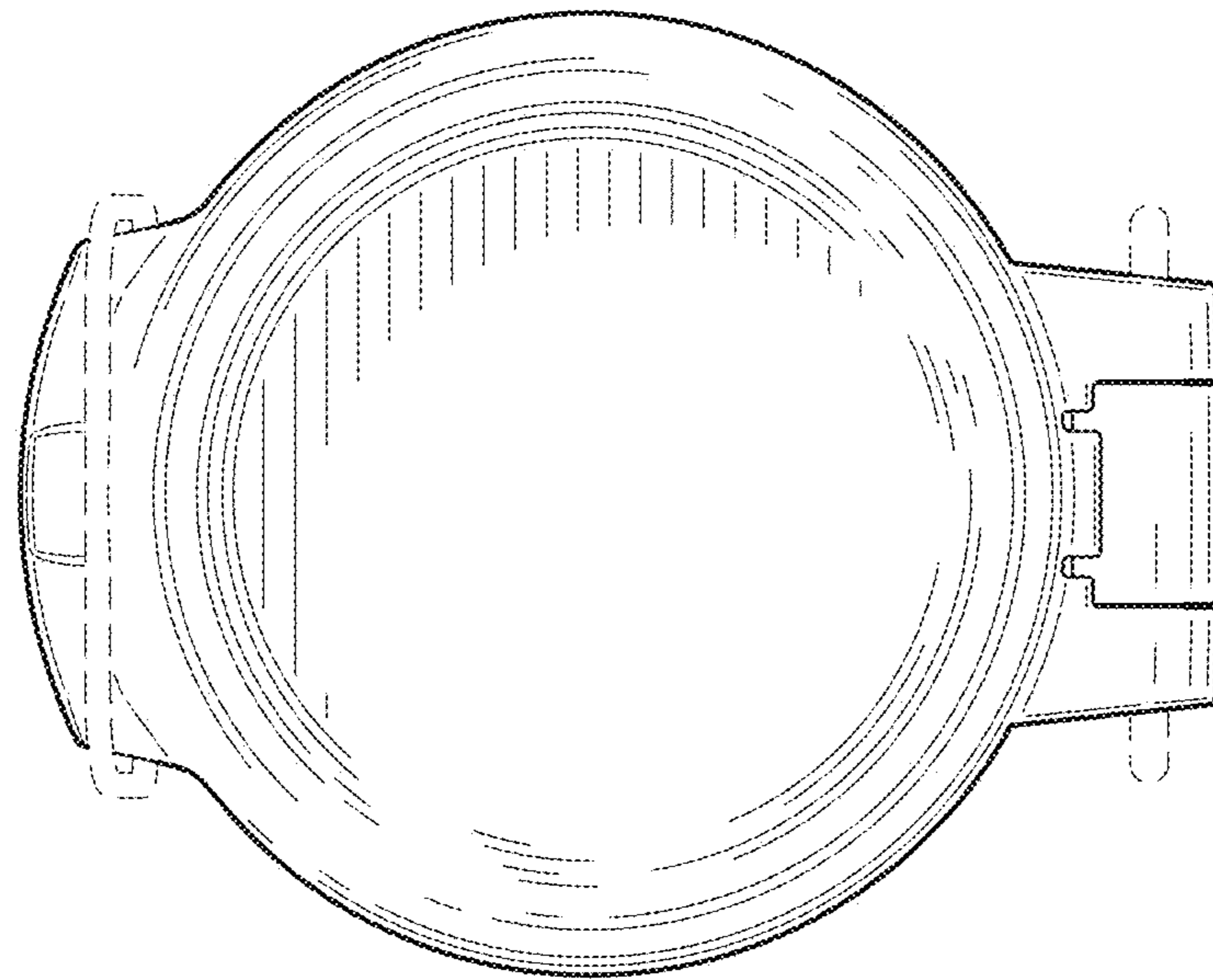


FIG. 7

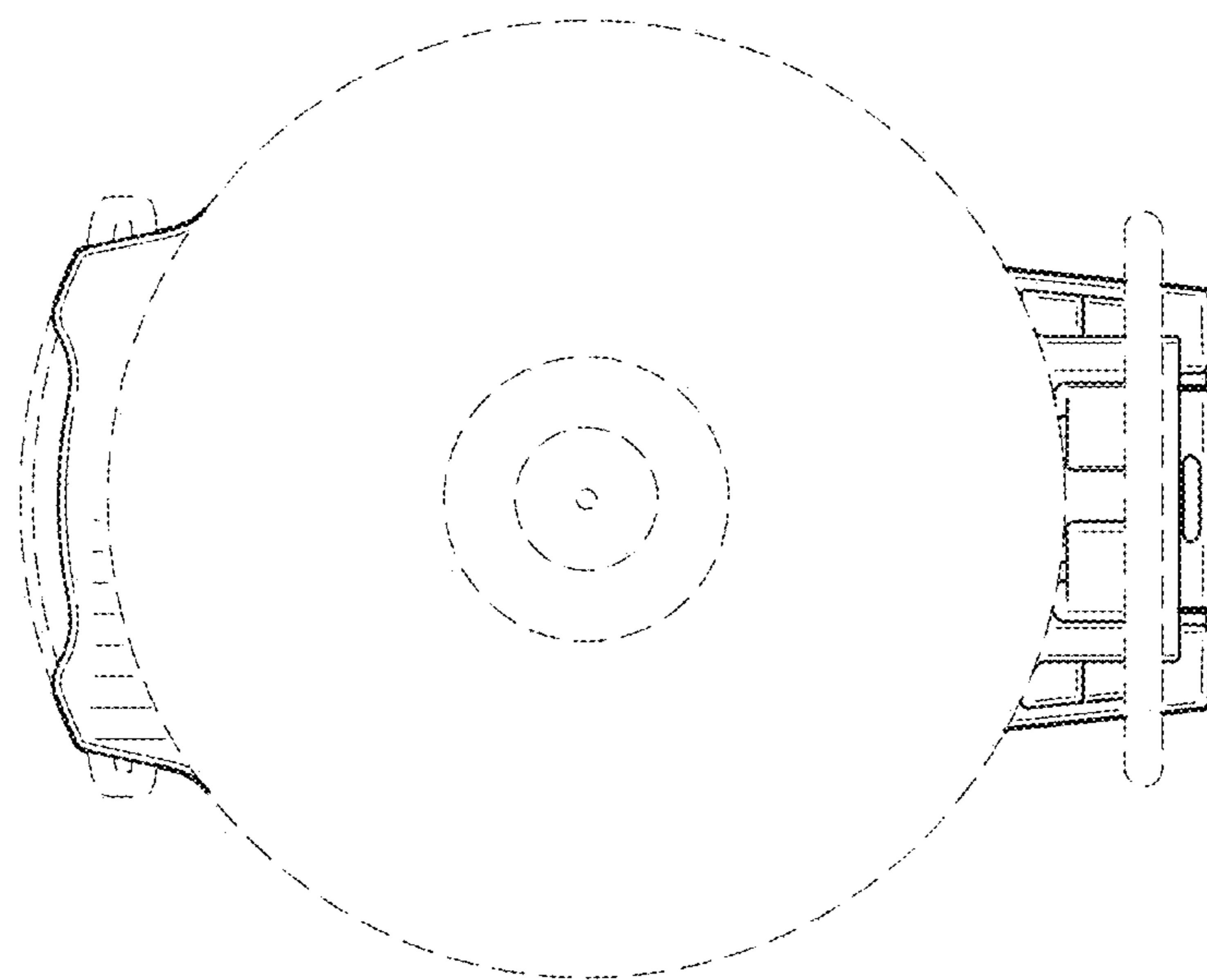


FIG. 8