



US00D934024S

(12) **United States Design Patent**  
**Merelli**

(10) **Patent No.:** **US D934,024 S**

(45) **Date of Patent:** **\*\* Oct. 26, 2021**

(54) **SWITCH COMPONENT FOR AN ESPRESSO MACHINE**

(71) Applicant: **SIMONELLI GROUP S.P.A.**, Belforte del Chienti (IT)

(72) Inventor: **Francesco Merelli**, Pollenza (IT)

(\*\*) Term: **15 Years**

(21) Appl. No.: **29/714,210**

(22) Filed: **Nov. 21, 2019**

(30) **Foreign Application Priority Data**

May 30, 2019 (EM) ..... 006537999-0004

(51) **LOC (13) Cl.** ..... **07-02**

(52) **U.S. Cl.**  
USPC ..... **D7/387**

(58) **Field of Classification Search**  
USPC ..... D7/300-322, 368, 387, 397-400, 412, D7/665, 666, 700; D3/29, 207, 208, 211; D6/541, 542, 545; D8/2, 14.1; D9/435, D9/440, 447, 448, 724; D11/70, 116; D13/158, 178; D20/10, 16, 21, 41  
CPC .. A47J 31/00; A47J 31/36; A47J 31/44; A47J 31/4407; A47J 31/46; A47J 31/461; A47J 31/468; A47J 31/4485; A47J 31/4489; A47J 31/52; B67D 1/00; B67D 1/0003; B67D 1/0005; B67D 1/0006; B67D 1/0042; B67D 1/0057; B67D 1/0081; B67D 1/0872; B67D 2001/0088; B67D 2001/0093; B67D 2001/0094

See application file for complete search history.

(56) **References Cited**

**U.S. PATENT DOCUMENTS**

D417,580 S \* 12/1999 Fusi ..... A47J 31/468  
D7/309  
D672,998 S \* 12/2012 Bonetto ..... D7/309

D695,052 S \* 12/2013 Ottavi ..... D7/309  
D807,096 S \* 1/2018 Prefontaine ..... D7/307  
D812,405 S \* 3/2018 Guelfo ..... D7/309  
D862,145 S \* 10/2019 Foglia ..... D7/309  
D865,428 S \* 11/2019 Cometti ..... D7/309  
D883,726 S \* 5/2020 Guelfo ..... D7/309  
D928,102 S \* 8/2021 Lu ..... D13/167  
2019/0021544 A1\* 1/2019 Foglia ..... A47J 31/468

**OTHER PUBLICATIONS**

Design No. 9006537999-0004, May 30, 2019—Intellectual Property Office (IPO) Publication Date—May 30, 2019 Owner—Simonelli Group S.P.A. WIPO, available at <https://www3.wipo.int/designdb/en/index.jsp> (Year: 2019).\*

(Continued)

*Primary Examiner* — Mary Ann Calabrese  
*Assistant Examiner* — Natalya M Rapundalo

(57) **CLAIM**

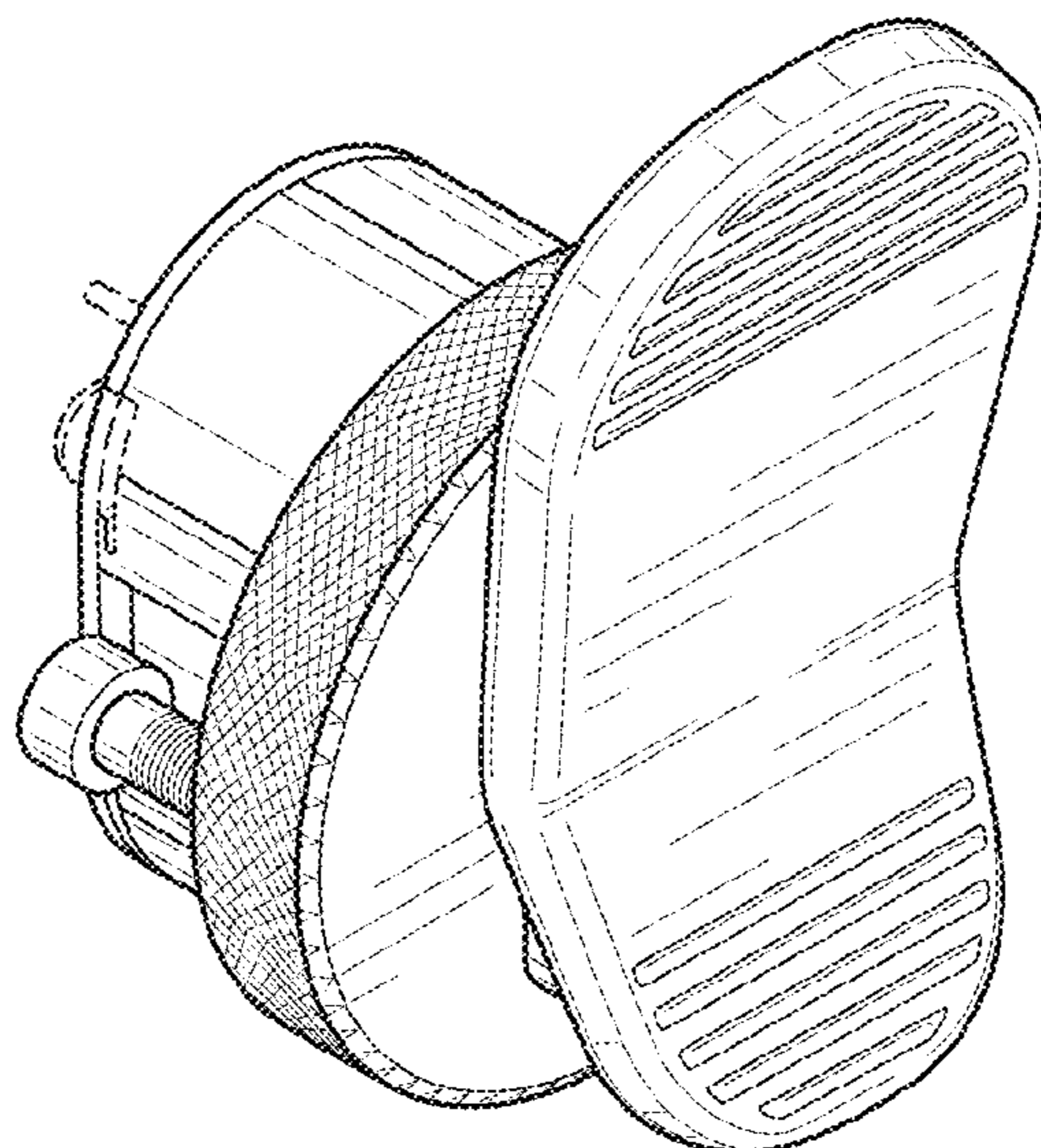
The ornamental design for a switch component for an espresso machine, as shown and described.

**DESCRIPTION**

FIG. 1 is a front perspective view of a switch component for an espresso machine showing my new design.  
FIG. 2 is a front view thereof;  
FIG. 3 is a rear view thereof;  
FIG. 4 is a left side view thereof;  
FIG. 5 is a right side view thereof;  
FIG. 6 is a top view thereof; and,  
FIG. 7 is a bottom view thereof.

The features presented in broken lines represent portions of the switch component for an espresso machine and form no part of the claimed design.

**1 Claim, 2 Drawing Sheets**



(56)

**References Cited**

OTHER PUBLICATIONS

Unveiling Eagle One barista espresso machine with James Hoffmann & Giulio Cappellini, first available Sep. 26, 2019, website name, [online], [site visited Aug. 23, 2021], Available from internet URL: <https://www.youtube.com/watch?v=4ZTQRdHWAXw> (Year: 2019).\*

Design No. 301070903.0000, Aug. 11, 2020—Korean Intellectual Property Office (KIPO) Publication Date—Aug. 19, 2020 Owner—Simonelli Group S.P.A. WIPO, available at <https://www3.wipo.int/designdb/en/index.jsp> (Year: 2020).\*

Design No. 301092421.0000, Jan. 19, 2021—Korean Intellectual Property Office Publication Date—Jan. 25, 2021 Owner—Simonelli Group S.P.A., Designer—Morelli Francesco WIPO, available at <https://www3.wipo.int/designdb/en/index.jsp> (Year: 2021).\*

Eagle One by Victoria Arduino, Victoria Arduino, [online], [site visited Jul. 9, 2021], Available from internet URL: <https://www.victoriaarduino.com/eagleone/> (Year: 2021).\*

\* cited by examiner

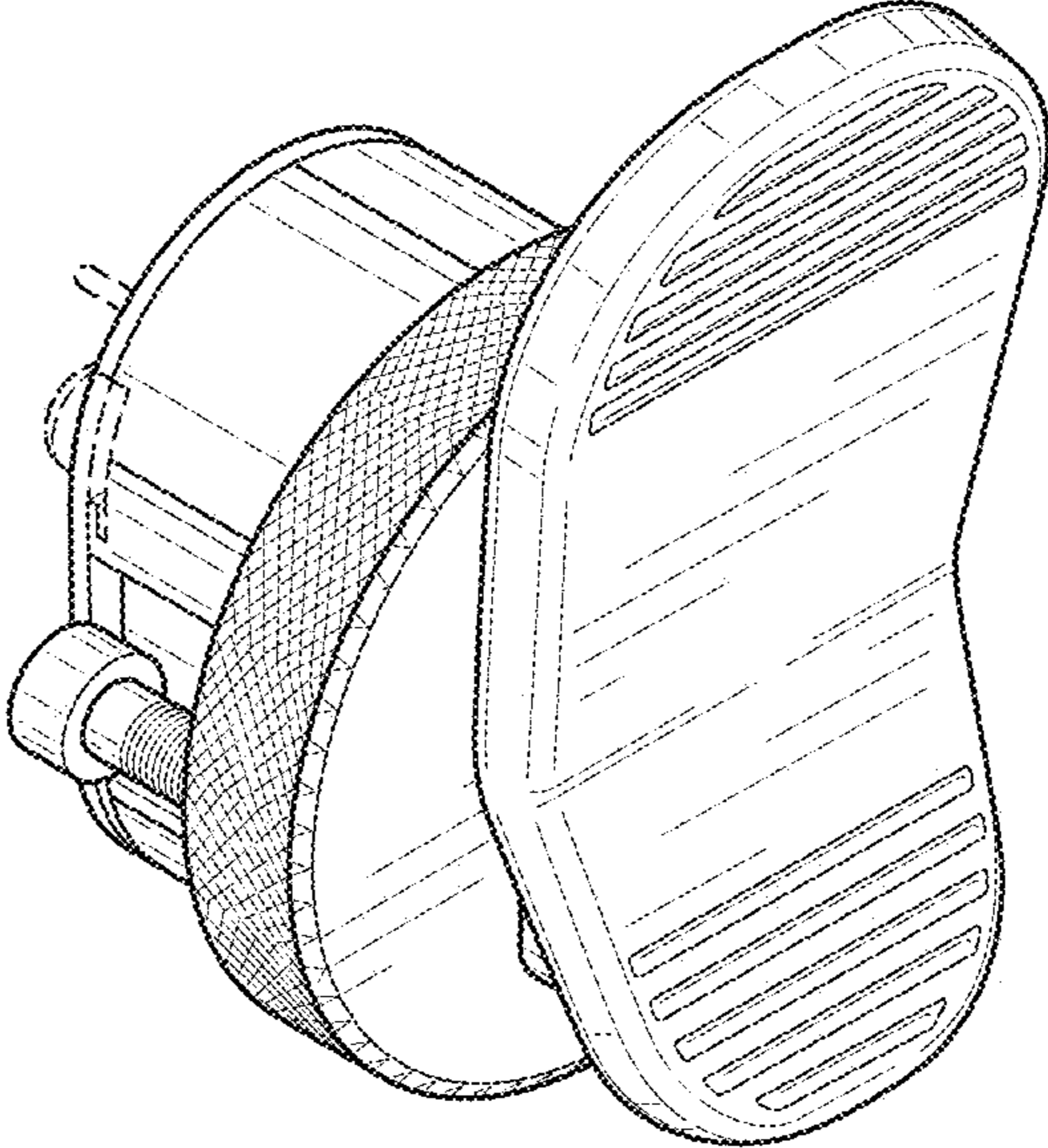


FIG. 1

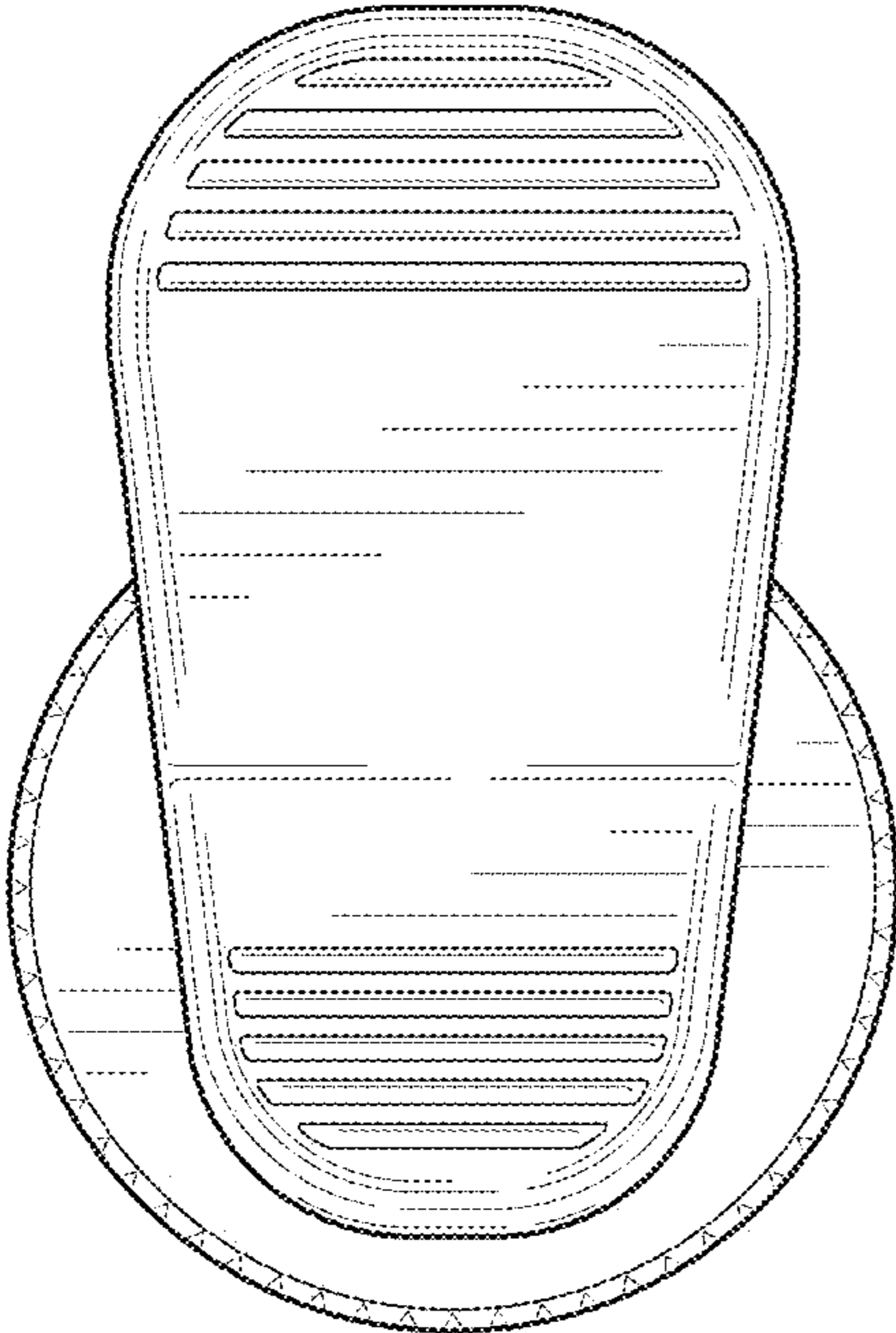


FIG. 2

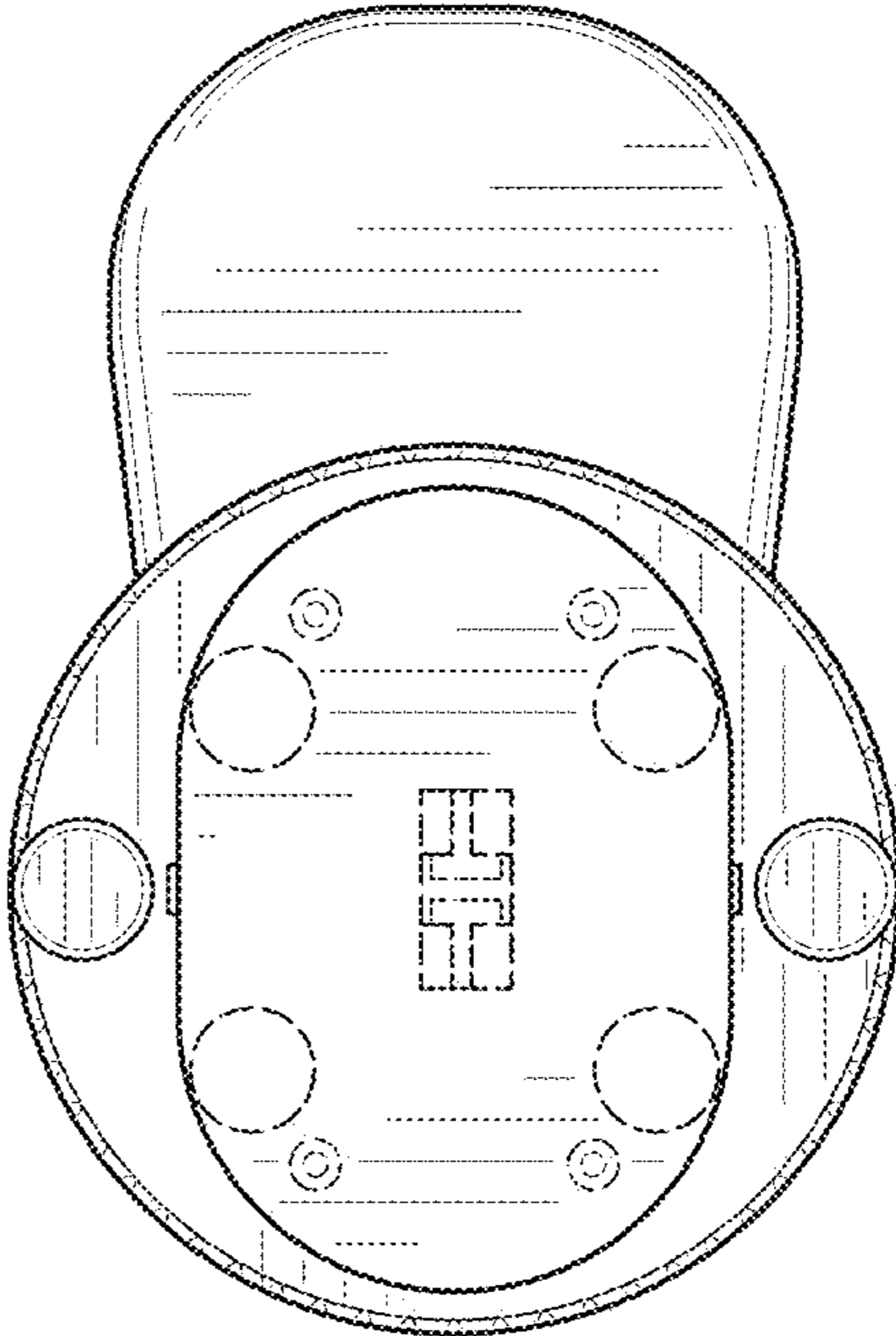


FIG. 3

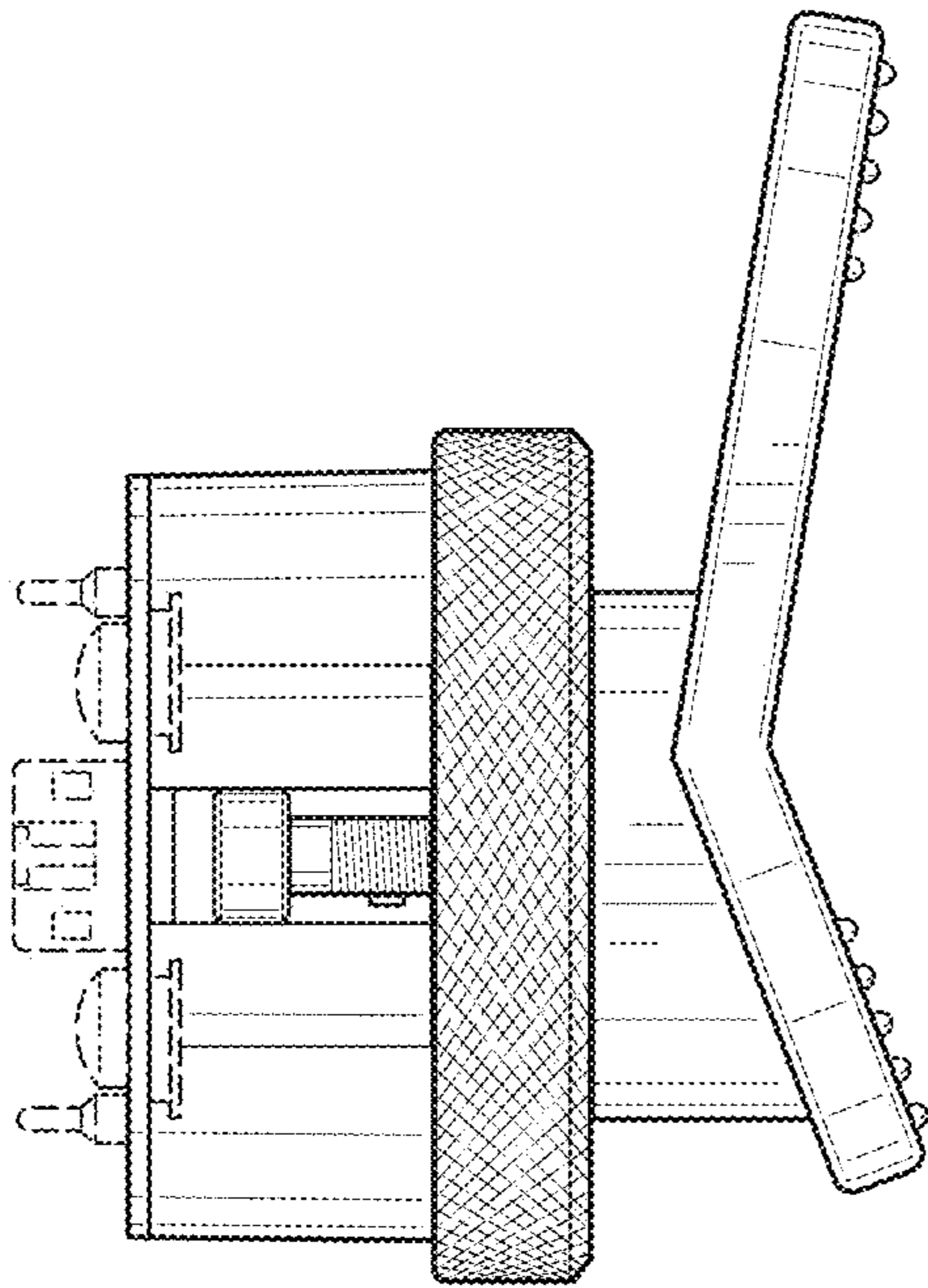


FIG. 4

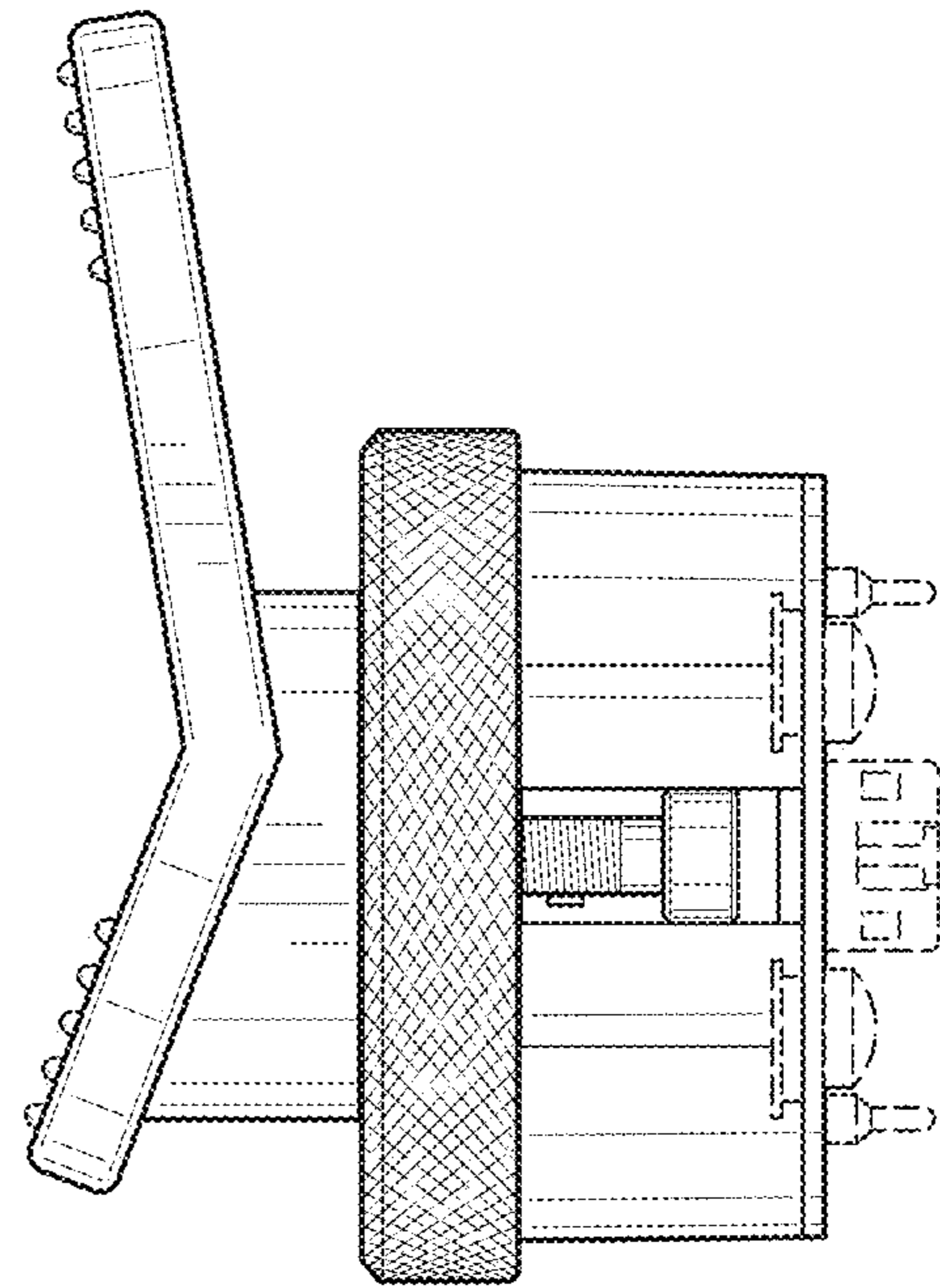


FIG. 5

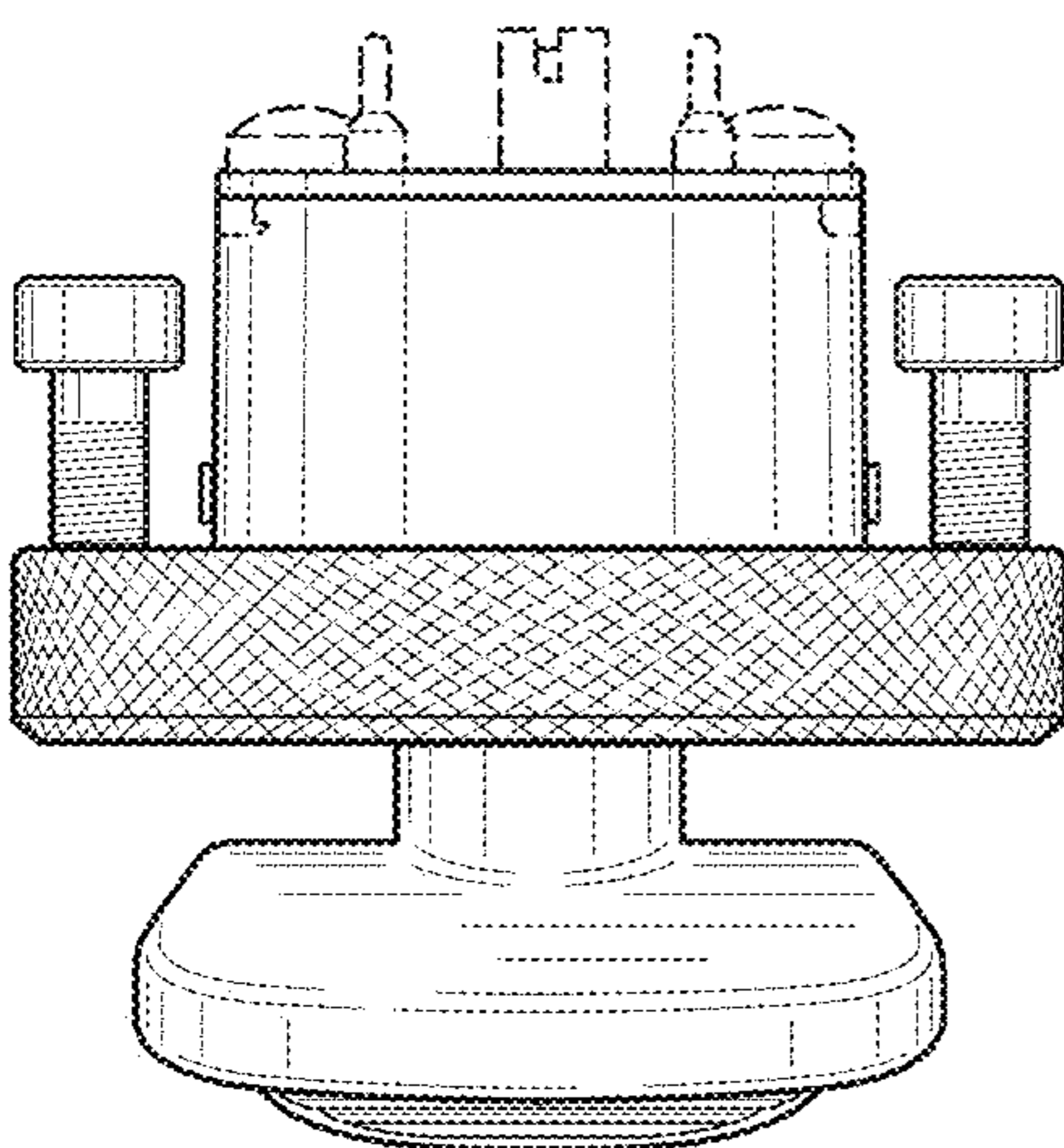


FIG. 6

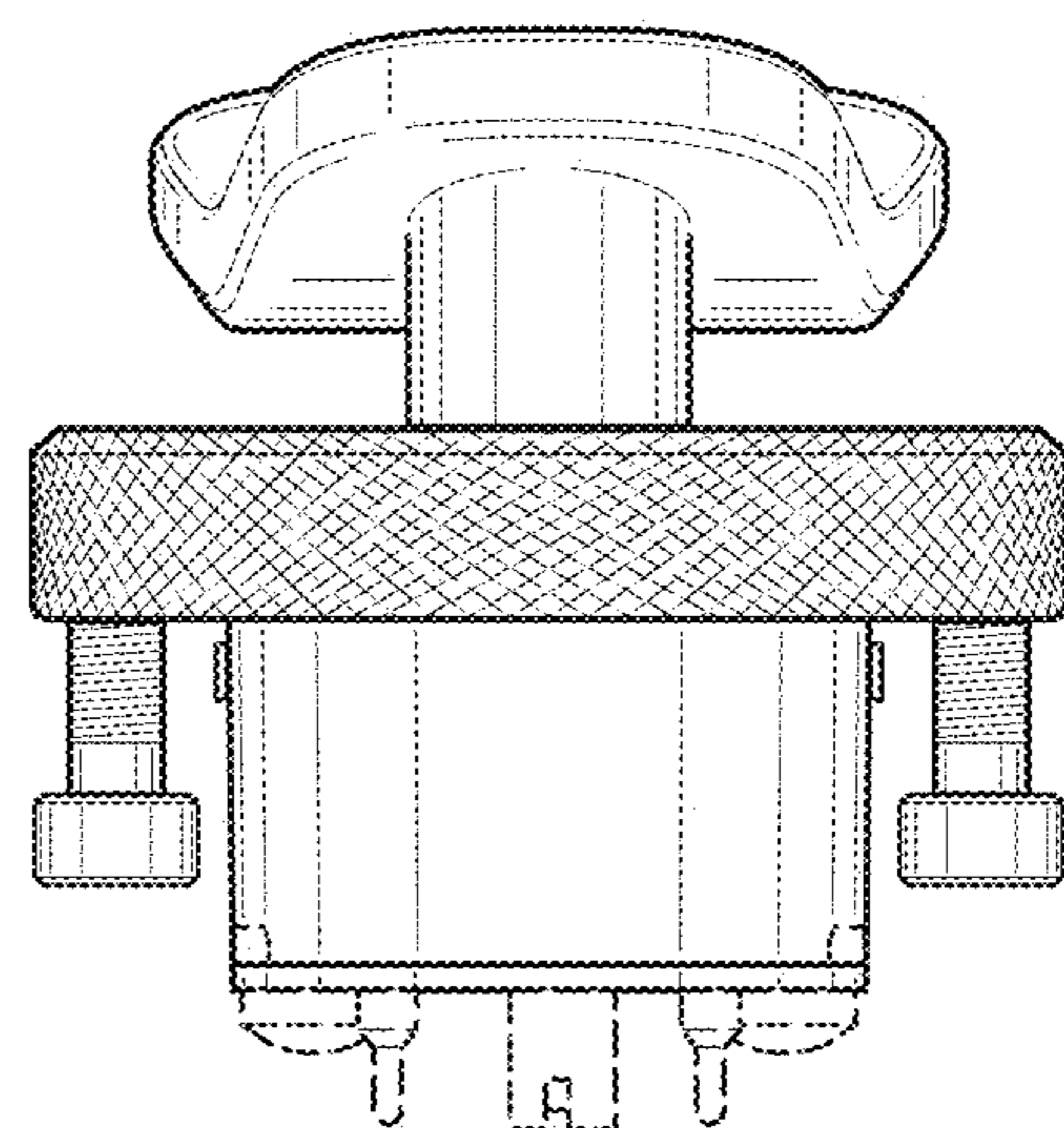


FIG. 7