



US00D934023S

(12) **United States Design Patent**
Shu

(10) **Patent No.:** **US D934,023 S**

(45) **Date of Patent:** **** Oct. 26, 2021**

(54) **MEAT GRINDER**

(71) Applicant: **Shanshan Shu**, Shenzhen (CN)

(72) Inventor: **Shanshan Shu**, Shenzhen (CN)

(**) Term: **15 Years**

(21) Appl. No.: **29/767,971**

(22) Filed: **Jan. 26, 2021**

(30) **Foreign Application Priority Data**

Jan. 22, 2021 (EM) 008410757

(51) **LOC (13) Cl.** **31-00**

(52) **U.S. Cl.**

USPC **D7/384; D7/372; D7/381; D7/383**

(58) **Field of Classification Search**

USPC D7/372, 376-386, 412-413, 602, 629,

D7/665-666, 669, 679, 693-694

CPC A21C 1/02; A21C 1/04; A23N 1/00; A23N

1/02; A47J 43/04; A47J 43/25; A47J

43/27; A47J 43/042; A47J 43/044; A47J

43/046; A47J 43/075; A47J 43/0705;

A47J 43/0722; A47J 43/0727; B01F 3/00;

B01F 3/0807; B01F 3/0853; B01F

13/0059; B01F 13/0064; B02C 1/08;

B02C 2/04; B02C 4/42; B02C 4/142;

B02C 4/143; B02C 4/423; B02C 13/1835;

B28C 5/10; B28C 5/12; B28C 5/14;

B28C 5/16

See application file for complete search history.

(56) **References Cited**

U.S. PATENT DOCUMENTS

D380,943 S * 7/1997 Wong D10/46.2

D404,253 S * 1/1999 Littmann D7/412

D414,384 S *	9/1999	Schulein	D7/693
D511,434 S *	11/2005	Feil	D7/384
D567,017 S *	4/2008	Garman	D7/384
D610,396 S	2/2010	Chiang		
D838,147 S *	1/2019	Kim	D7/693
D882,331 S *	4/2020	Miller	D7/378
D900,531 S *	11/2020	Chen	D7/381
D900,533 S *	11/2020	Chen	D7/384
D901,233 S	11/2020	Lin		
2004/0149843 A1 *	8/2004	Tang	A47J 43/044 241/272

OTHER PUBLICATIONS

Narcissus Electric Meat Grinder. Date First Available on Amazon.com Dec. 18, 2020. <https://www.amazon.com/Narcissus-Professional-Processor-Vegetable-Stainless/dp/B08QZ9QW2W/ref> (Year: 2020).*

* cited by examiner

Primary Examiner — Ricky Pham

(57) **CLAIM**

The ornamental design for a meat grinder, as shown and described.

DESCRIPTION

FIG. 1 is a perspective view of a meat grinder showing my new design;

FIG. 2 is another perspective view thereof;

FIG. 3 is a front elevational view thereof;

FIG. 4 is a rear elevational view thereof;

FIG. 5 is a left side elevational view thereof;

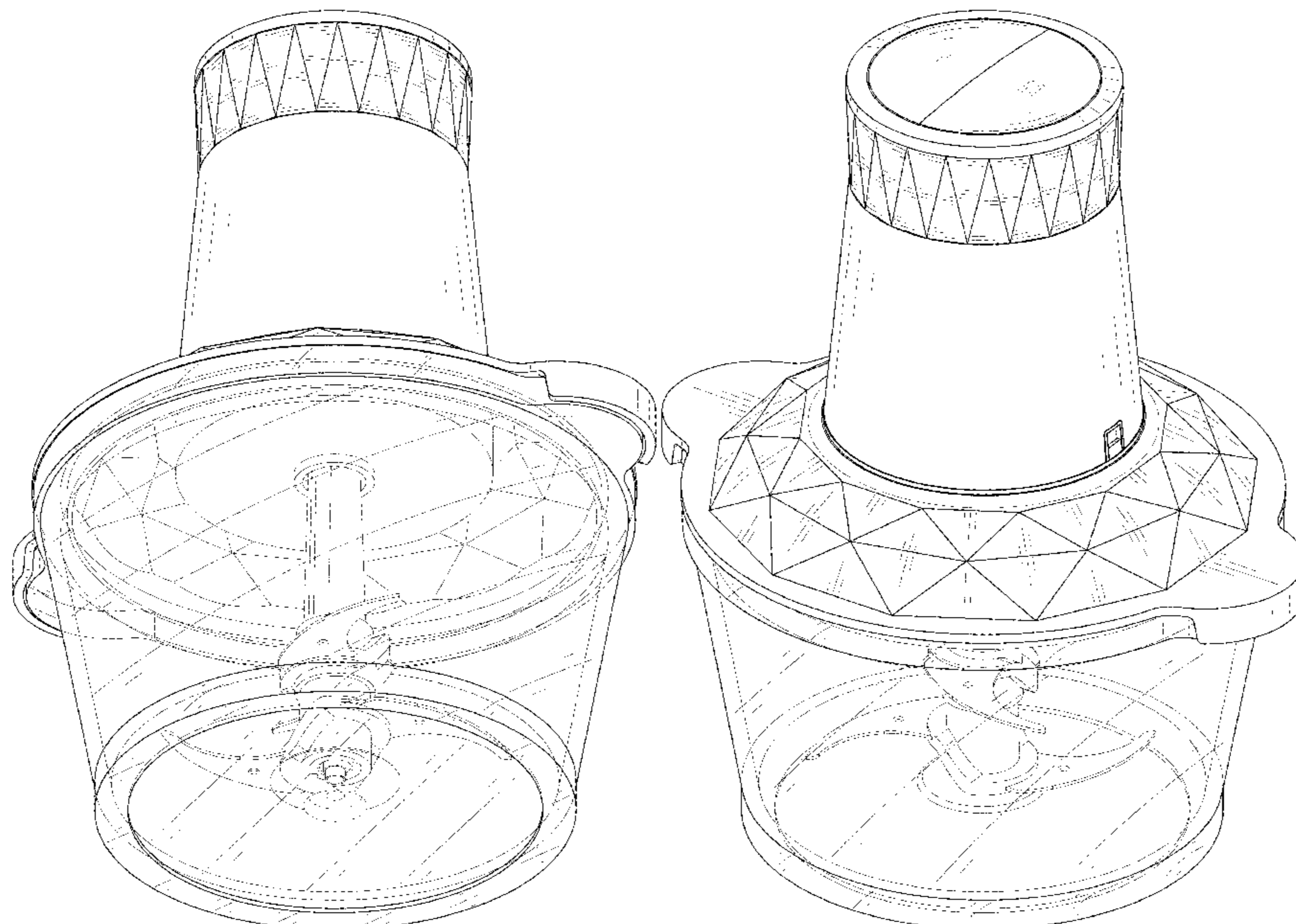
FIG. 6 is a right side elevational view thereof;

FIG. 7 is a top plan view thereof; and,

FIG. 8 is a bottom plan view thereof.

The broken lines in the drawings depict portions of the meat grinder that form no part of the claimed design.

1 Claim, 8 Drawing Sheets



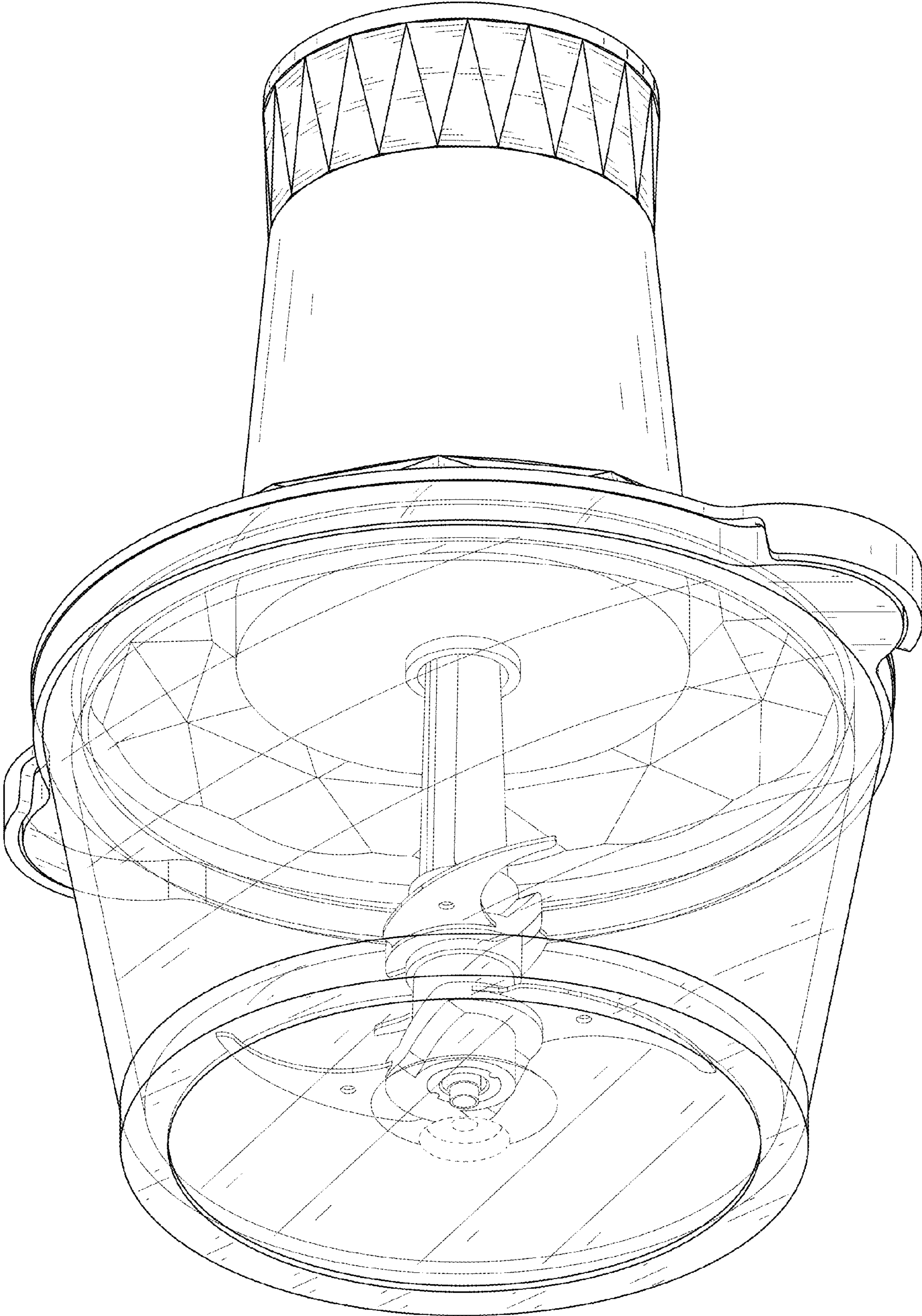


FIG. 1

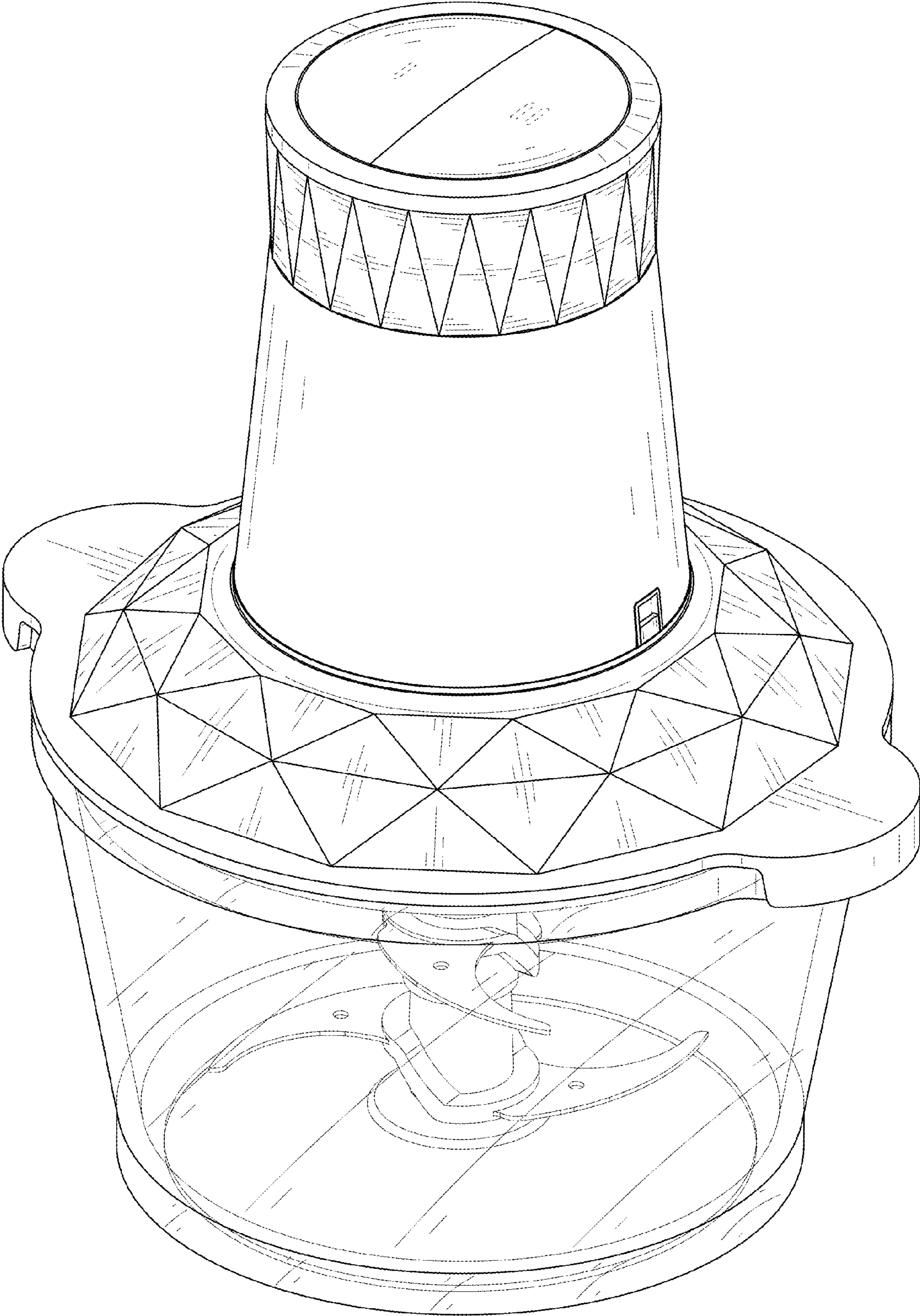


FIG. 2

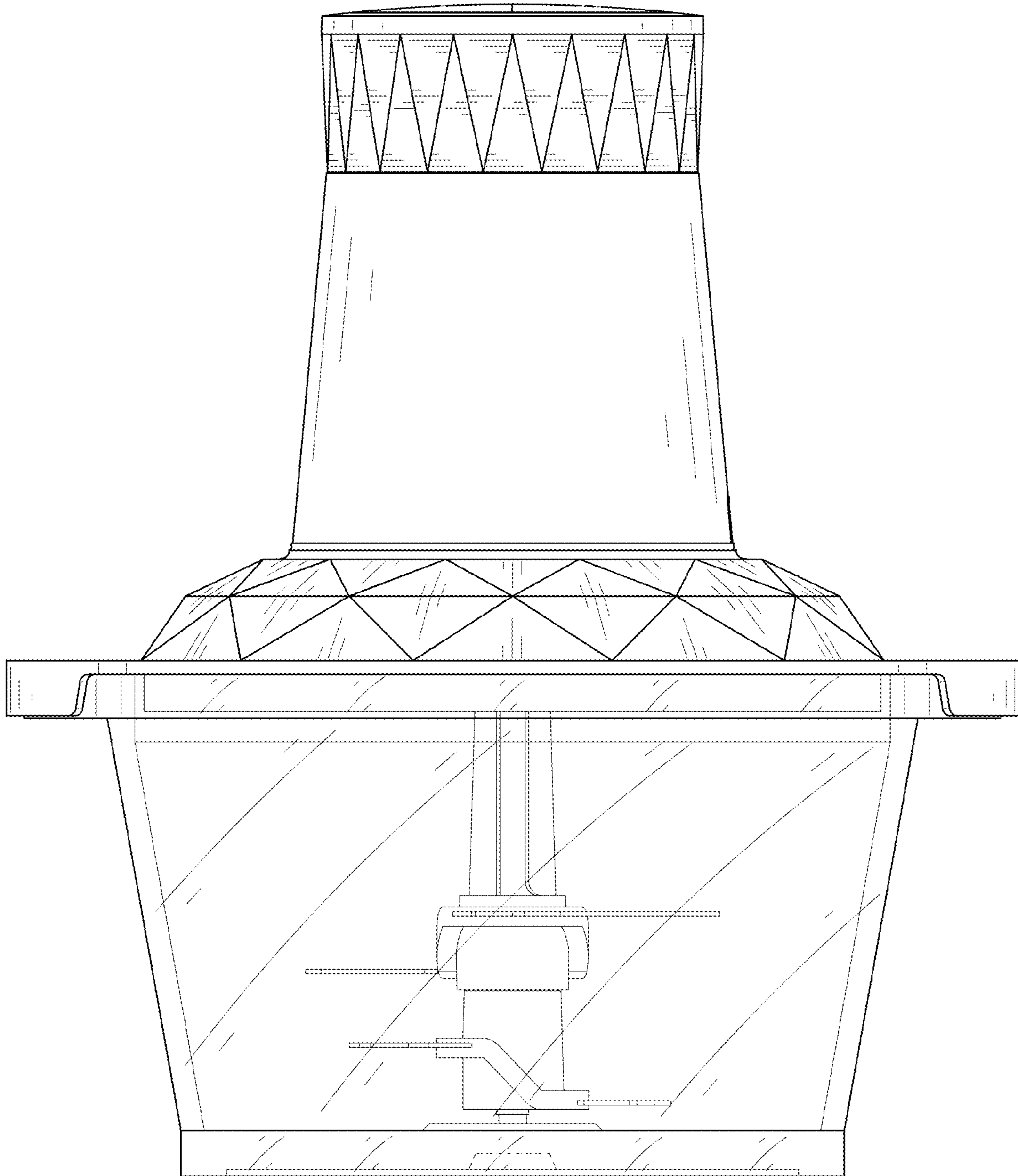


FIG. 3

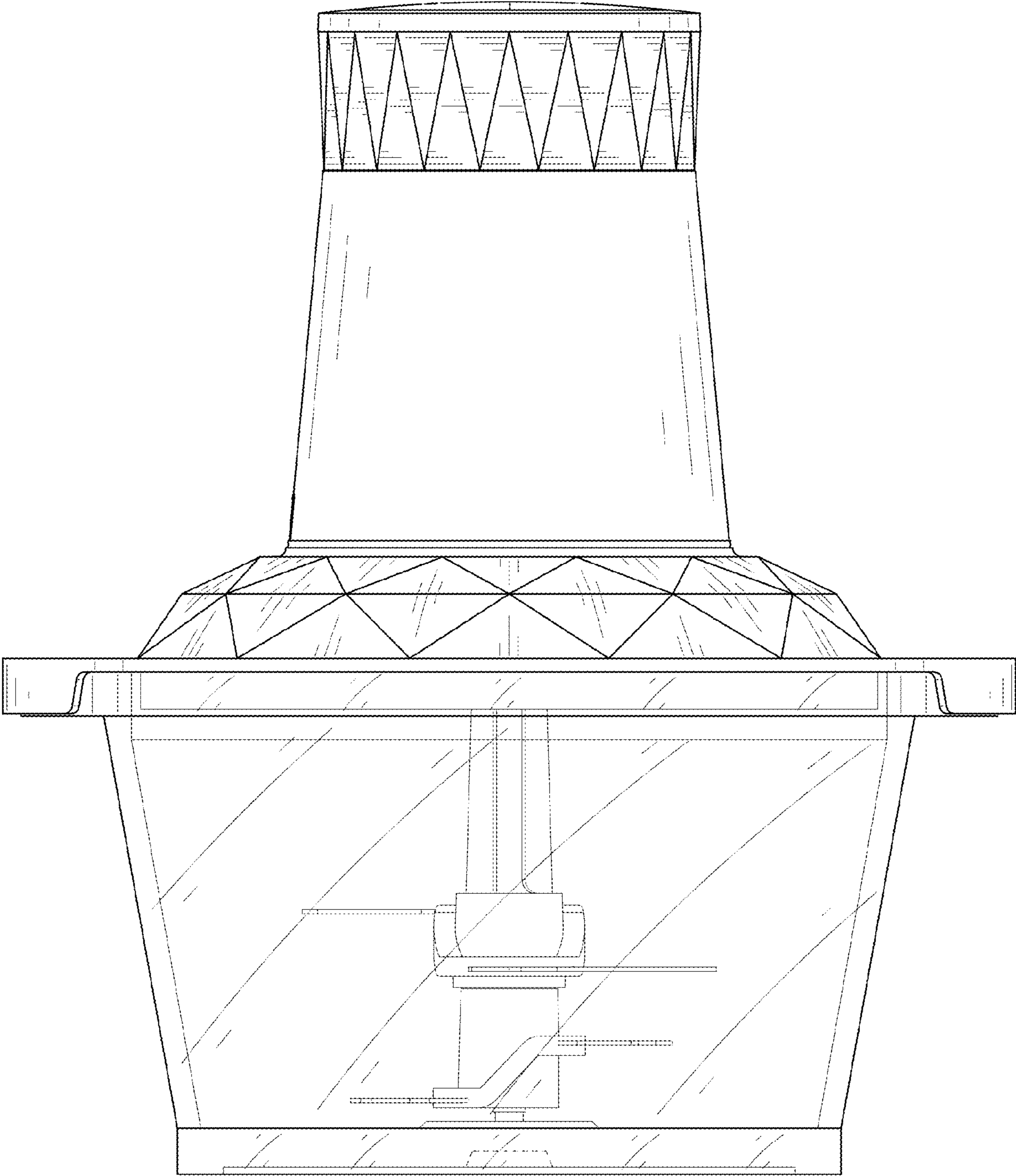


FIG. 4

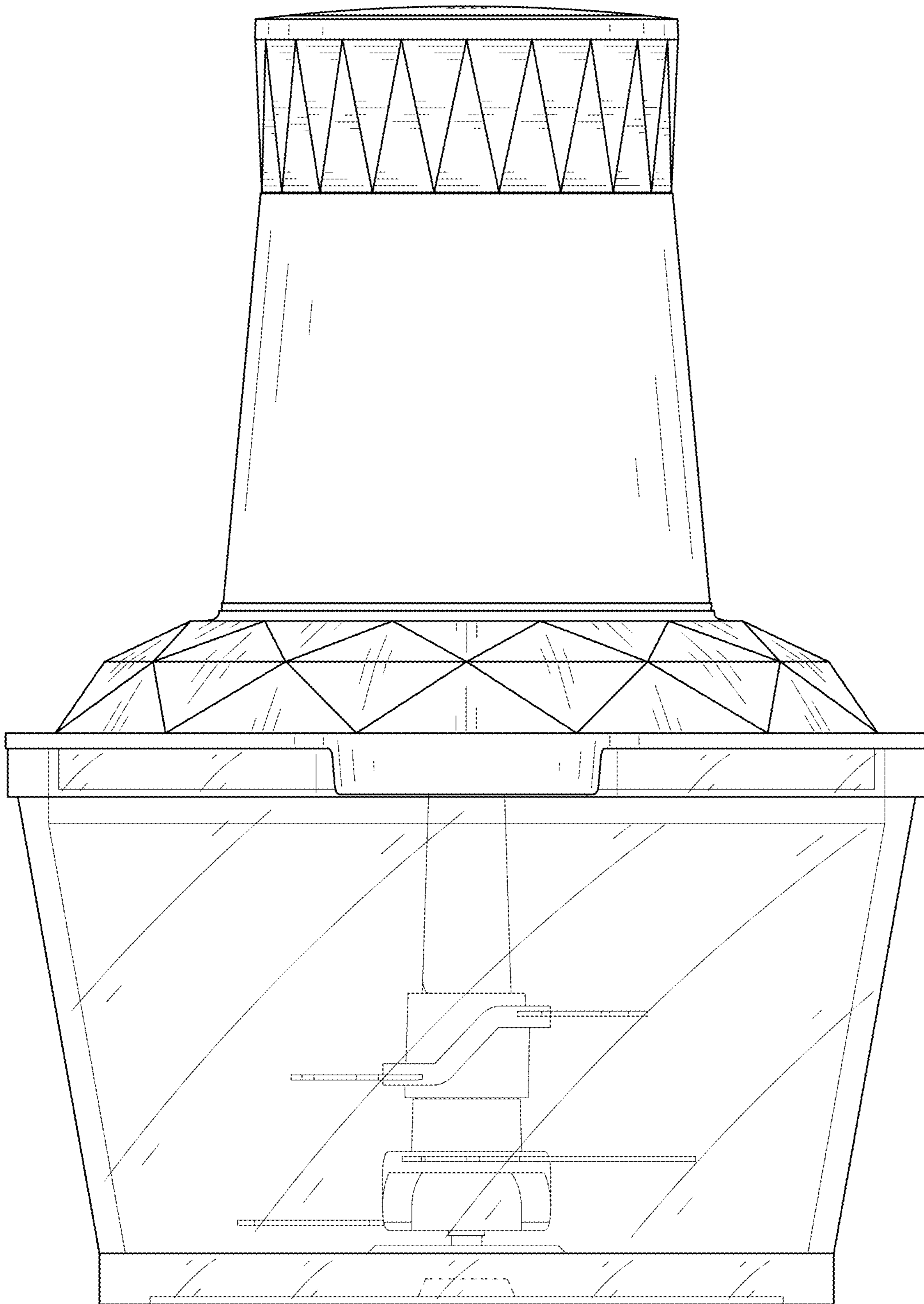


FIG. 5

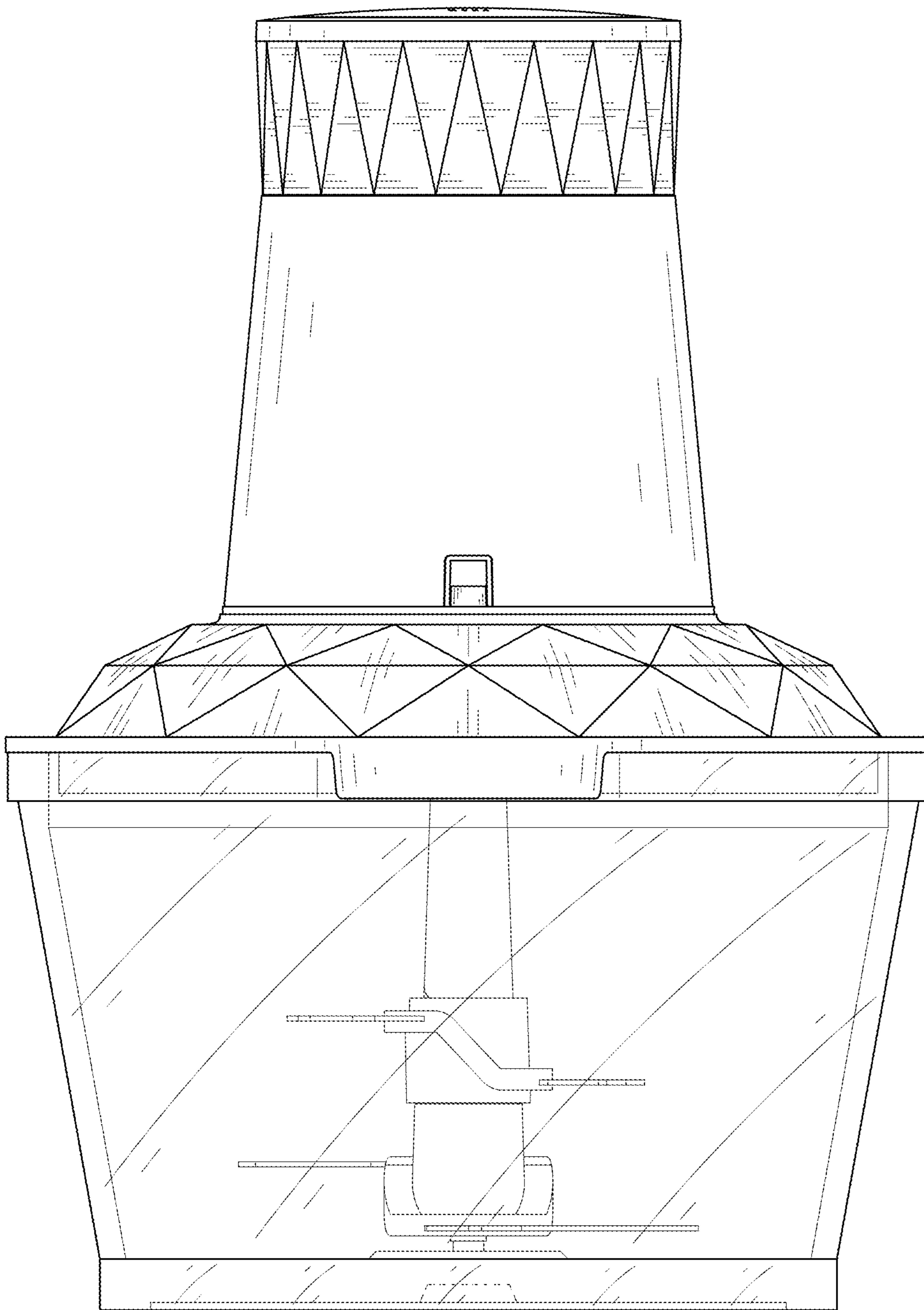


FIG. 6

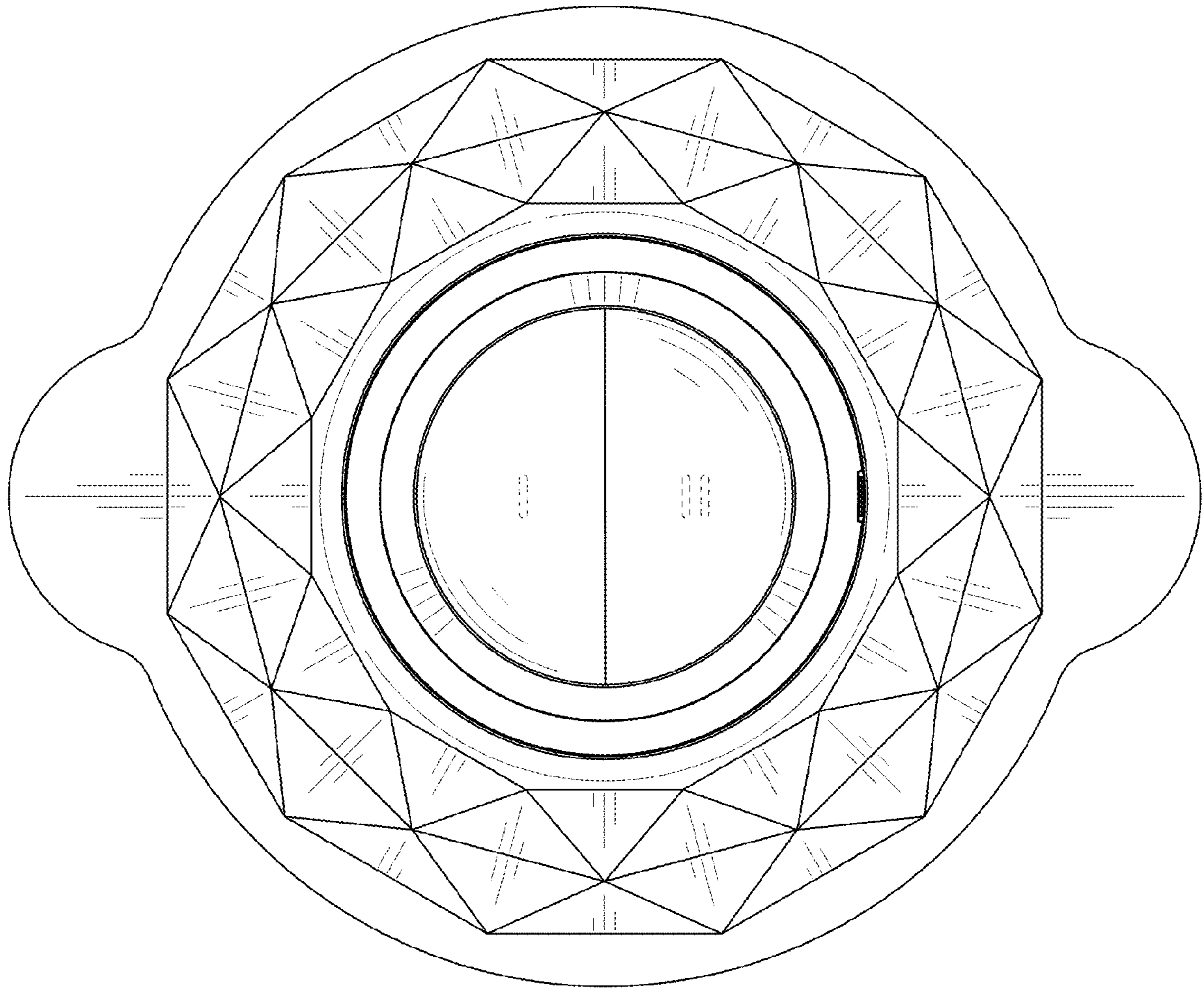


FIG. 7

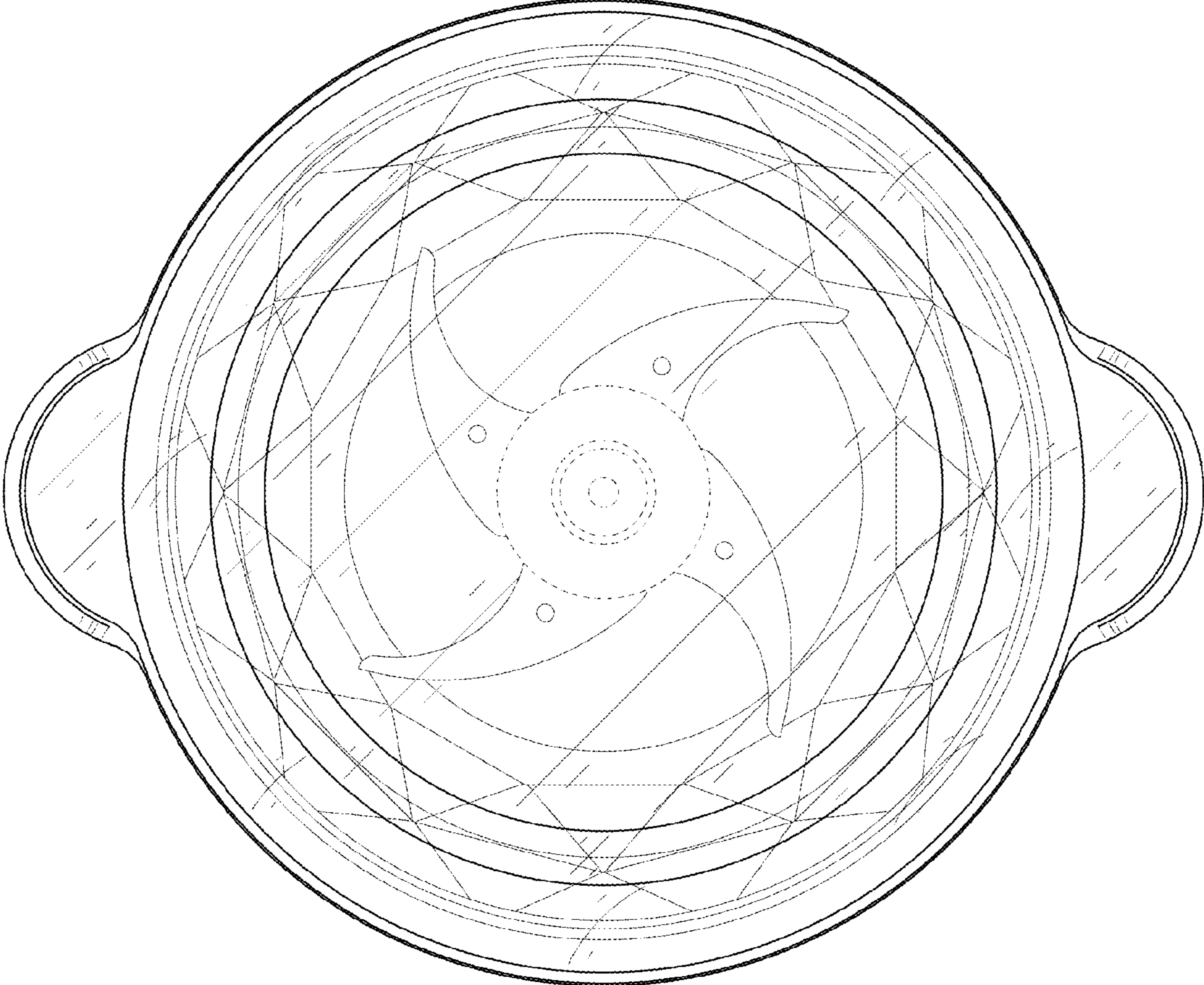


FIG. 8