



US00D934022S

(12) **United States Design Patent**
Sarnoff et al.

(10) **Patent No.:** **US D934,022 S**
(45) **Date of Patent:** **** Oct. 26, 2021**

(54) **STACKABLE PAN WITH LID**

(71) Applicant: **HFA, INC.**, Wheeling, IL (US)

(72) Inventors: **Brad Sarnoff**, Highalnd Park, IL (US);
Norton Sarnoff, Boca Raton, IL (US);
Raj Patel, Kildeer, IL (US)

(73) Assignee: **HFA, Inc.**, Wheeling, IL (US)

(**) Term: **15 Years**

(21) Appl. No.: **29/745,811**

(22) Filed: **Aug. 10, 2020**

Related U.S. Application Data

(60) Continuation-in-part of application No. 29/745,121,
filed on Aug. 4, 2020, now Pat. No. Des. 928,551,
(Continued)

(51) **LOC (13) Cl.** **07-02**

(52) **U.S. Cl.**
USPC **D7/359**

(58) **Field of Classification Search**
USPC D7/323, 331, 352, 354, 355, 356, 357,
D7/359, 360, 361, 362, 363, 364, 365,
(Continued)

(56) **References Cited**

U.S. PATENT DOCUMENTS

D407,015 S * 3/1999 Jones D9/426
D415,420 S 10/1999 Chen
(Continued)

FOREIGN PATENT DOCUMENTS

CA 137955 * 6/2011
CA 165004 * 5/2016
(Continued)

OTHER PUBLICATIONS

Rectangular Disposable Aluminum Foil Pan Take Out Food Con-
tainers with Clear Plastic Dome Lids, announced Jan. 10, 2019

[online], retrieved Jun. 29, 2021, retrieved from internet, https://www.amazon.com/Rectangular-Disposable-Aluminum-Containers-Plastic/dp/B07M6S19M8/ref=pd_sbs_2/137-1641998-2770366?pd_rd_w=m586S&pf_rd_p=f8e24c42-8be0-4374-84aa-bb08fd897453&pf_rd_r=9MBKVXZBQ6S7DDYG8E50&pd_rd_r=196bc045-e9a1-4ee2-9525-fa3dbcbdb8b8e&pd_rd_wg=HO2LF&pd_rd_i=B07M6S19M8&psc=1.*

(Continued)

Primary Examiner — Dana K Weiland
Assistant Examiner — Messina L Smith

(74) *Attorney, Agent, or Firm* — Adam K. Sacharoff;
Much Shelist, P.C.

(57) **CLAIM**

The ornamental design for a stackable pan with lid, as shown
and described.

DESCRIPTION

FIG. 1 is a front side perspective view of a stackable pan
with lid, showing the new design in a first embodiment;
FIG. 2 is a left side view thereof;
FIG. 3 is a right side view thereof;
FIG. 4 is a front view thereof;
FIG. 5 is a rear side view thereof;
FIG. 6 is a top plan view thereof;
FIG. 7 is a bottom plan view thereof;
FIG. 8 is a bottom perspective view thereof;
FIG. 9 is a front side perspective view of the stackable pan
with lid of FIG. 1 in an exploded view;
FIG. 10 is a bottom perspective view thereof;
FIG. 11 is a side view thereof;
FIG. 12 is a top plan view of the stackable pan with lid in
another exploded view;
FIG. 13 is a bottom plan view thereof;
FIG. 14 is a front side perspective view of the stackable pan
with lid shown in a second embodiment;
FIG. 15 is a left side view thereof;
FIG. 16 is a right side view thereof;
FIG. 17 is a front view thereof;
FIG. 18 is a rear side view thereof;
FIG. 19 is a top plan view thereof;

(Continued)

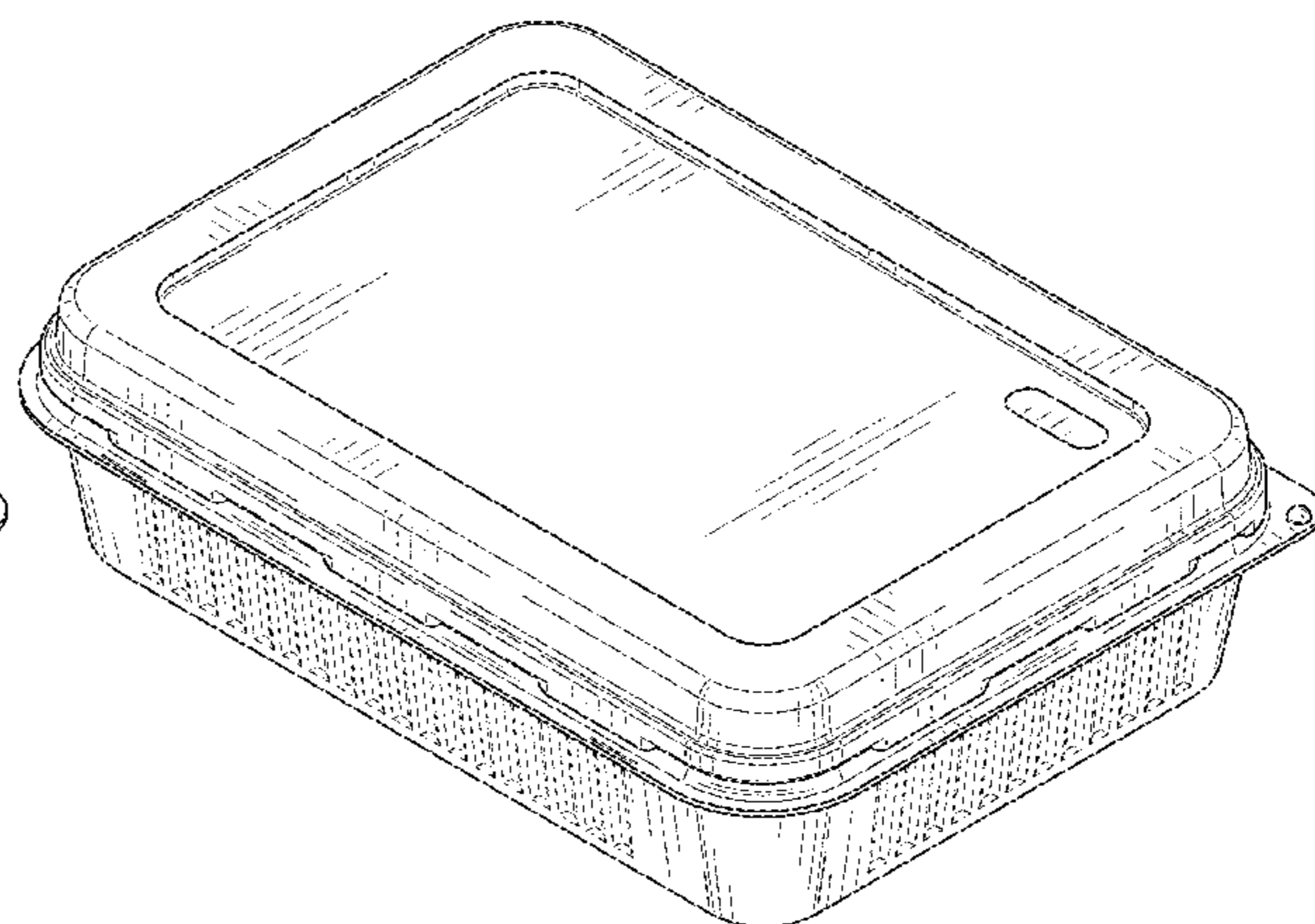
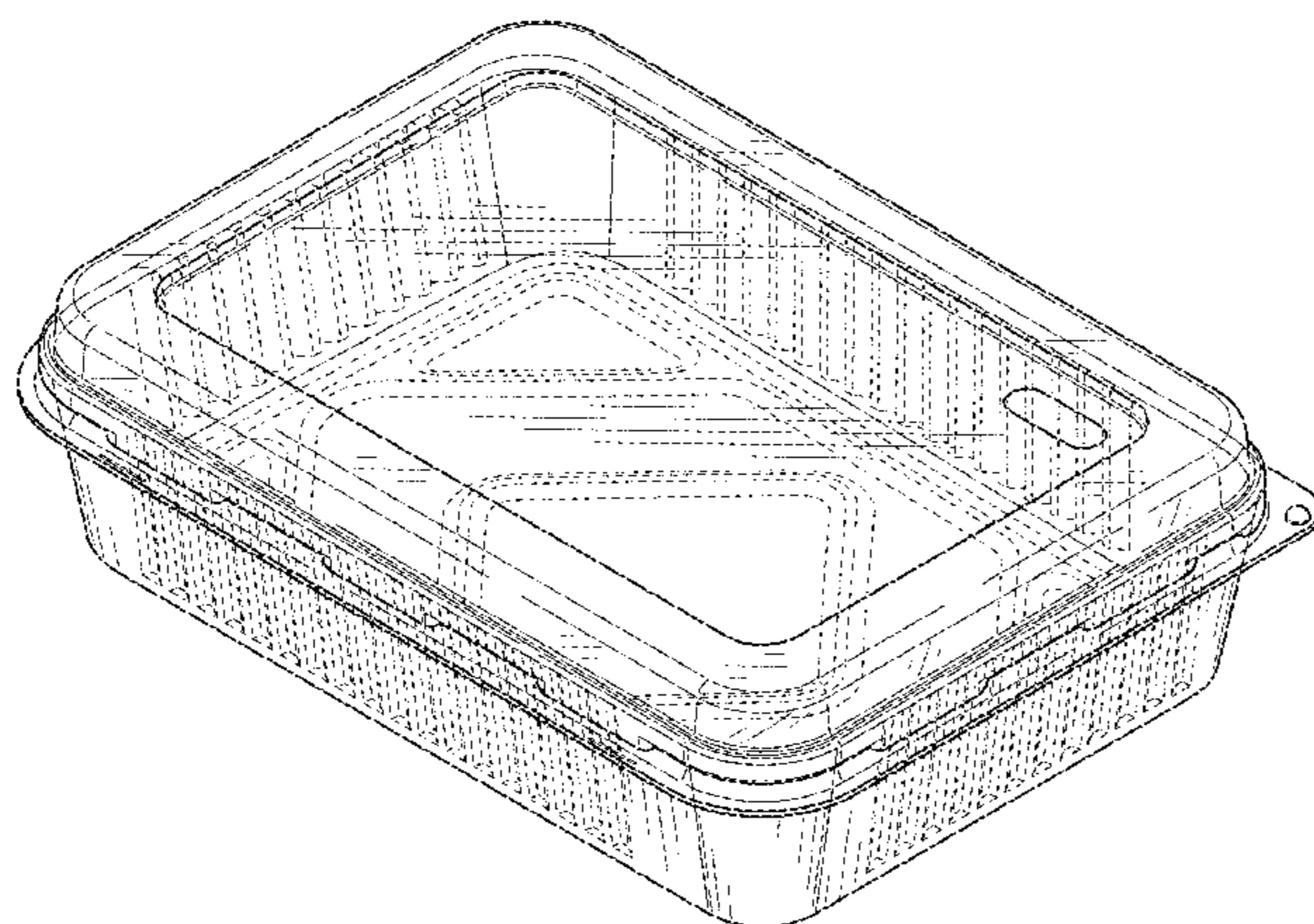


FIG. 20 is a bottom plan view thereof;
 FIG. 21 is a bottom perspective view thereof;
 FIG. 22 is a front side perspective of the stackable pan with lid of FIG. 14 shown in an exploded view;
 FIG. 23 is a bottom perspective view thereof;
 FIG. 24 is a side view thereof;
 FIG. 25 is a top plan view of the stackable pan with lid of FIG. 14 in another exploded view; and,
 FIG. 26 is a bottom plan view thereof.
 The broken lines shown in the drawings depict portions of the stackable pan with lid that form no part of the claimed design.

1 Claim, 22 Drawing Sheets

Related U.S. Application Data

which is a continuation-in-part of application No. 29/708,717, filed on Oct. 9, 2019, now abandoned, which is a division of application No. 29/641,313, filed on Mar. 21, 2018, now Pat. No. Des. 876,880.

(58) **Field of Classification Search**

USPC D7/366, 402, 409, 410; D3/304; D9/736, 749, 755, 758, 760, 456; D1/105, 123, 124
 CPC .. A21B 3/00; A21B 3/13; A21B 3/131; A21B 3/132; A21B 3/135; A21B 3/137; A21B 3/15; A21B 5/00; A21B 5/02; A21B 5/04; A47J 29/00; A47J 29/02; A47J 29/06; A47J 36/00; A47J 36/02; A47J 36/06; A47J 36/16; A47J 36/24; A47J 36/022; A47J 36/027; A47J 37/00; A47J 37/01; A47J 37/04; A47J 37/06; A47J 37/10; A47J 37/07; A47J 43/20

See application file for complete search history.

(56) **References Cited**

U.S. PATENT DOCUMENTS

D450,580 S 11/2001 Littlejohn
 D475,621 S 6/2003 Buchalski
 D585,239 S * 1/2009 Thurlow D7/391
 D592,500 S * 5/2009 Colacitti D7/354
 D594,324 S 6/2009 Colacitti
 D594,325 S * 6/2009 Colacitti D7/354
 D594,326 S 6/2009 Colacitti
 D598,744 S 8/2009 Shields
 D606,368 S 12/2009 Wu
 D614,950 S * 5/2010 Colacitti D9/425
 D680,861 S 4/2013 Chen
 D681,449 S 5/2013 Sneedan
 D769,113 S * 10/2016 Chen D9/425
 9,510,699 B1 * 12/2016 Miller A47G 23/04
 D800,492 S * 10/2017 Sarnoff D7/359
 D807,704 S 1/2018 Epstein
 D815,880 S * 4/2018 Mirchandani D7/354
 D816,387 S * 5/2018 Mirchandani D7/354
 D819,392 S 6/2018 Mattei
 D820,027 S 6/2018 Weernink
 D830,110 S 10/2018 Mirchandani
 D838,536 S * 1/2019 Wilkinson D7/354
 D838,585 S 1/2019 Kui
 D840,221 S * 2/2019 Lam D9/423
 D854,380 S * 7/2019 Yang D7/602
 D854,381 S 7/2019 Yang

D880,248 S * 4/2020 Zhen D7/602
 D902,027 S * 11/2020 Chen D9/425
 D906,753 S * 1/2021 Sarnoff D7/359
 2002/0175171 A1 11/2002 Stewart
 2004/0007583 A1 * 1/2004 Lin B65D 43/162
 220/835
 2007/0034161 A1 2/2007 Thompson
 2008/0105674 A1 * 5/2008 Hsu A47J 36/027
 219/735
 2009/0218356 A1 * 9/2009 Colacitti B29C 45/14
 220/574
 2020/0198847 A1 * 6/2020 Wang A47J 36/027

FOREIGN PATENT DOCUMENTS

CA 181769 * 7/2019
 CN 302639394 * 11/2013
 JP 09051853 2/1997
 KR 301080911.0000 * 10/2020
 KR 301102495.0000 * 3/2021

OTHER PUBLICATIONS

MontoPack Disposable Takeout Pans with Clear Lids, announced Oct. 2, 2016 [online], retrieved Jun. 29, 2021, retrieved from internet, https://www.amazon.com/Pack-Disposable-Takeout-Pans-Clear/dp/B073X2ZTWC/ref=pd_sbs_1/137-1641998-2770366?pd_rd_w=2bTE1&pf_rd_p=f8e24c42-8be0-4374-84aa-bb08fd897453&pf_rd_r=AYFWX8079RWP2SHNNB2&pd_rd_r=7d33cb60-9a02-43b1-b74c-670732727c77&pd_rd_wg=Ms7fQ&pd_rd_i=B073X2ZTWC&psc=1.
 HFA Gourmet-To-Go Extra-Large, announced © 2021 [online], retrieved Jun. 29, 2021, retrieved from internet, <https://www.foil-pans.com/products/hfa-gourmet-to-go-extra-large-7-lb-rectangular-black-and-gold-entree-foil-pan-w-clear-dome-lid-5-pk>.
 KitchenDance Disposable Aluminum Mini 6 ounce Individual Sized Loaf Pans, announced Feb. 18, 2019 [online], retrieved Jun. 29, 2021, retrieved from internet, https://www.amazon.com/dp/B07NVYV8Q8/ref=sspa_dk_detail_5?psc=1&pd_rd_i=B07NVYV8Q8&pd_rd_w=lbHZ2&pf_rd_r=91afecf5-8b2e-41e2-9f11-dc6992c6eaa1&pd_rd_wg=kM64a&pf_rd_r=JBE5A443P1G4E2Q29P1J&pd_rd_r=283d33ec-68be-46ea-9d2d-40eaecd219eb&spLa=ZW5jenlwdGVkUXVhbGlmaWVyPUEyQTMzM0VJNVQzQ080JmVuY3J5cHRlZEIkPUEwMTg5NTMxMkFBMURUTDRWWDQNSZ3aWRnZXROYW11PjNwX2RldGFpbCZlY3Rpb249Y2xpY2tSZWRpcmVjdCZkb05vdExvZ0NsaWNRpXRydWU=.
 Injection Molding Microwaveable Food Containers with Clear Lids, announced Feb. 25, 2017 [online], retrieved Jun. 29, 2021, retrieved from internet, https://www.amazon.com/dp/B07BNKN3S6/ref=sspa_dk_detail_1?psc=1&pd_rd_i=B07BNKN3S6&pd_rd_w=Cw9CQ&pf_rd_p=91afecf5-8b2e-41e2-9f11-dc6992c6eaa1&pd_rd_wg=qUuv&pf_rd_r=SWAK38T64RFR4DQR8GRV&pd_rd_r=e6966173-b730-415f-a74d-fc84b593a963&smid=A2SXQWQ4G9SGII&spLa=ZW5jenlwdGVkUXVhbGlmaWVyPUEyQTMzM0VJNVQzQ080JmVuY3J5cHRlZEIkPUEwMTg5NTMxMkFBMURUTDRWWDQNSZ3aWRnZXROYW11PjNwX2RldGFpbCZlY3Rpb249Y2xpY2tSZWRpcmVjdCZkb05vdExvZ0NsaWNRpXRydWU=.
 Jetfoil Round Disposable Aluminum Foil Pans with Clear Plastic Lids, reviewed Jul. 4, 2016 [online], retrieved Sep. 11, 2019, retrieved from internet, see Quayle Action for full website address.
 Durable Packaging 8" Round Aluminum Foil Take-Out, reviewed May 16, 2017 [online], retrieved Sep. 11, 2019, retrieved from internet, <https://www.amazon.com/Durable-Packaging-Round-Aluminum-Take-Out/dp/B01JH4GVCU>.
 U.S. Office Action, Copending U.S. Appl. No. 29/641,313; dated Sep. 19, 2019.

* cited by examiner

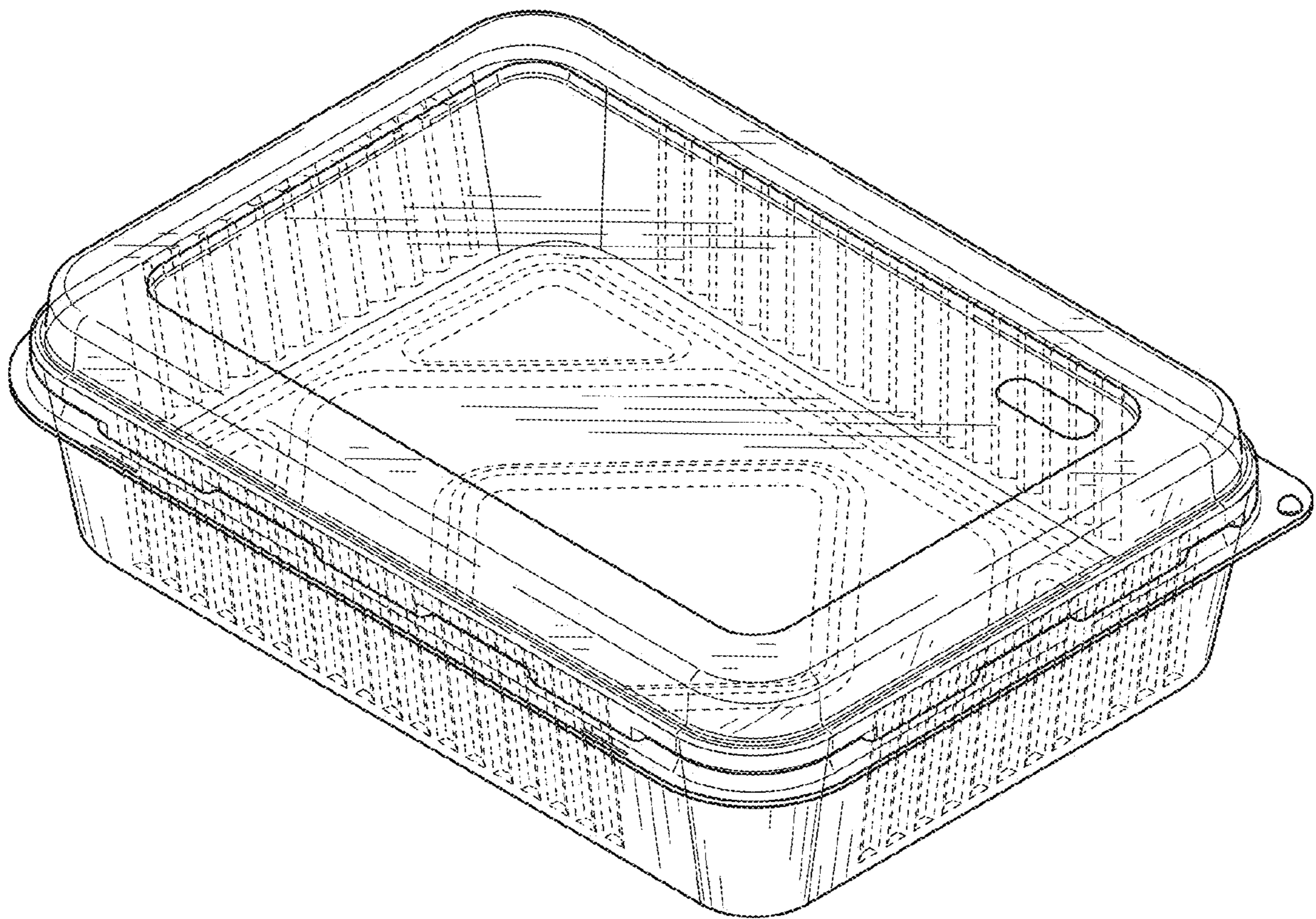


FIG. 1

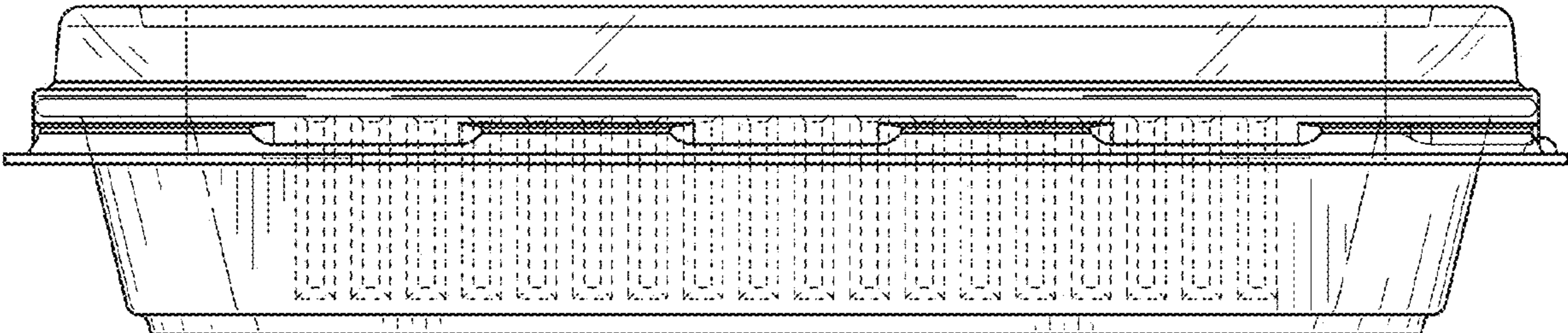


FIG. 2

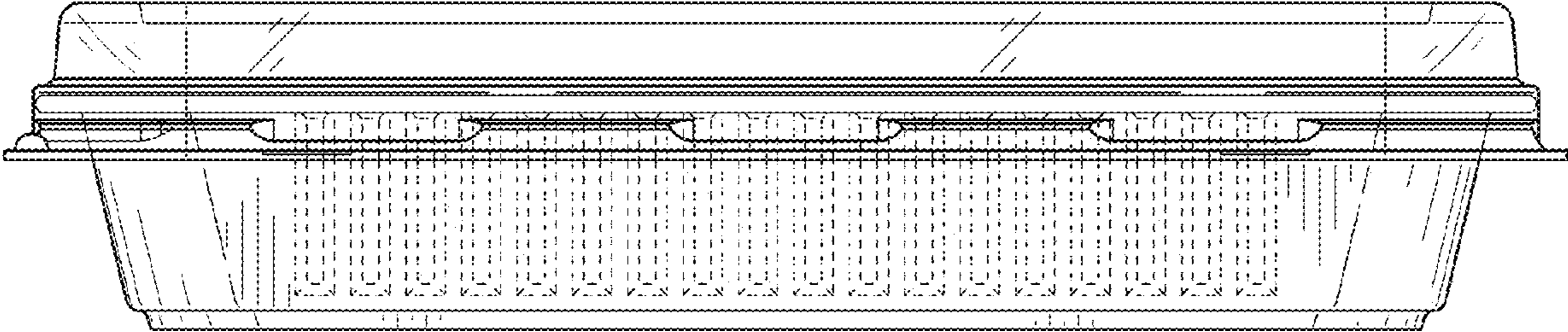


FIG. 3

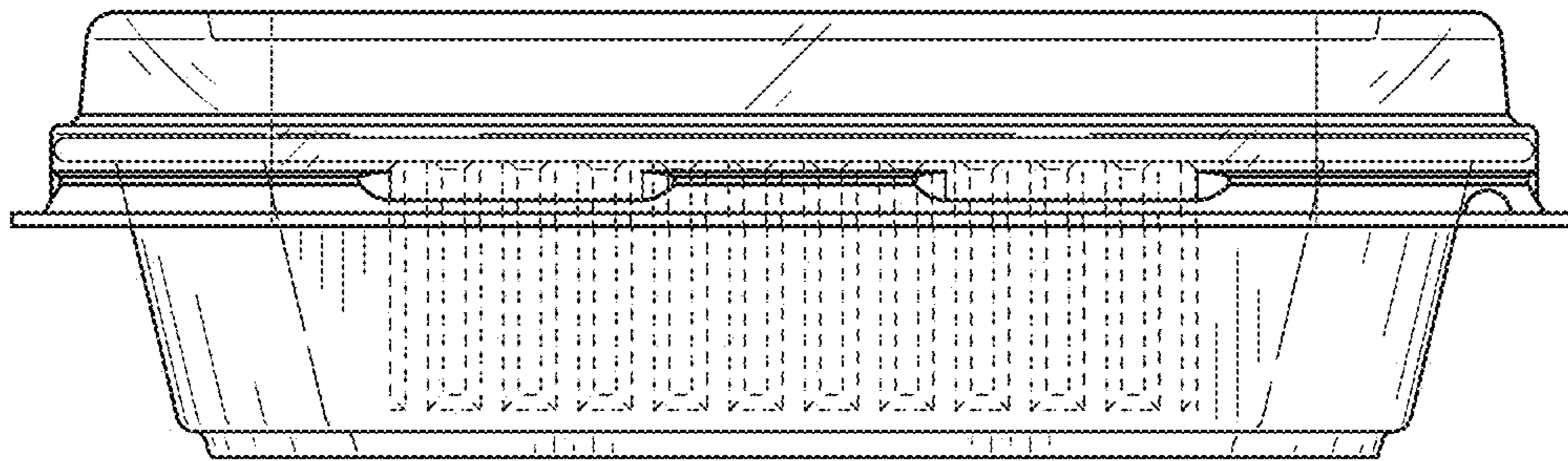


FIG. 4

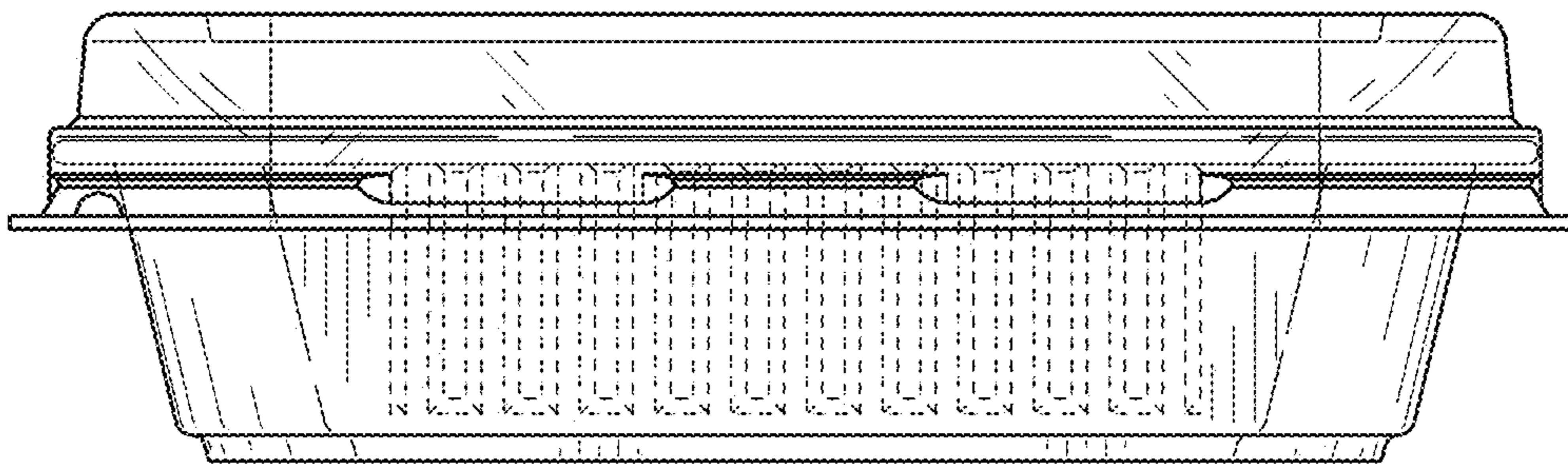


FIG. 5

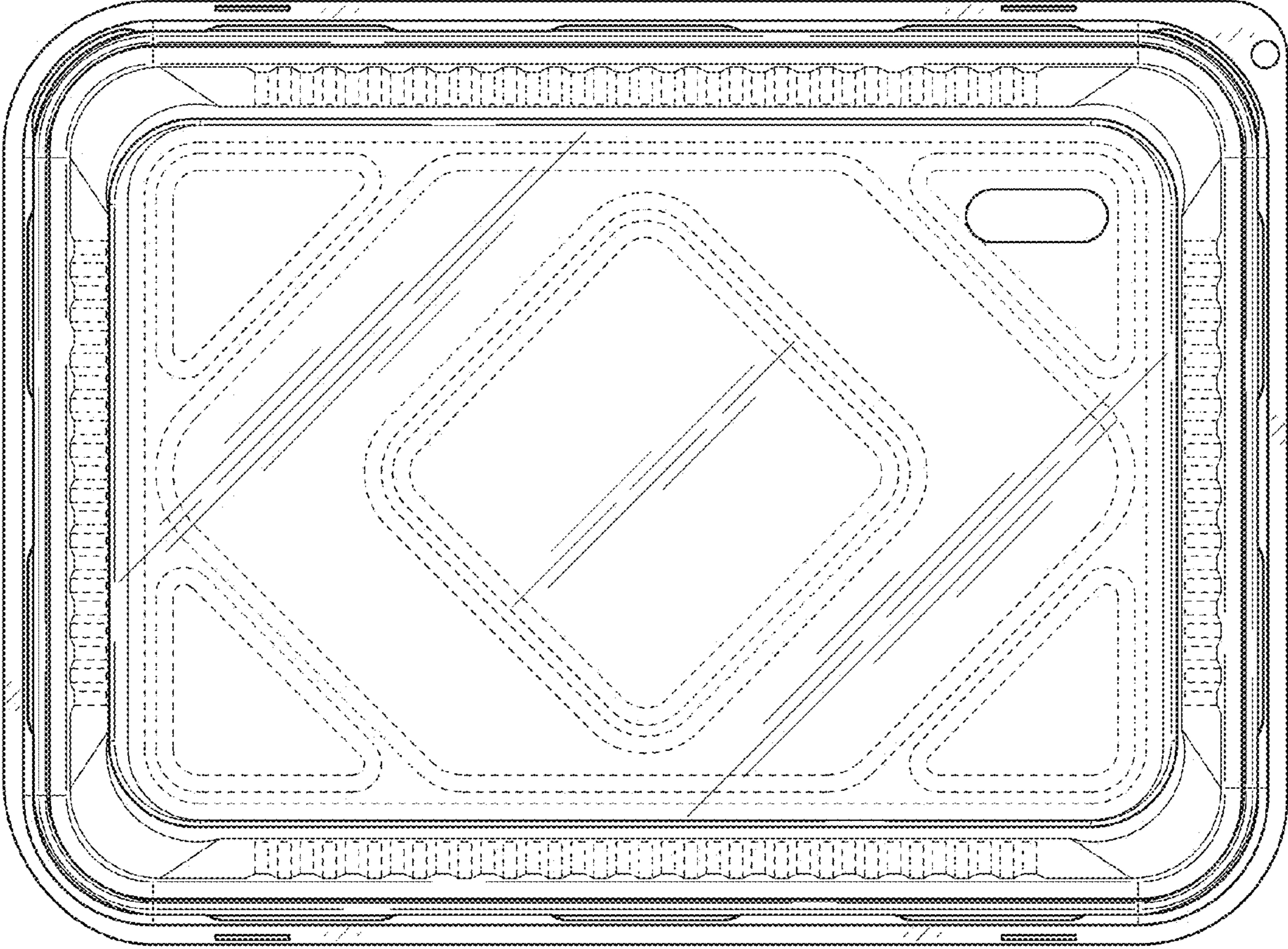


FIG. 6

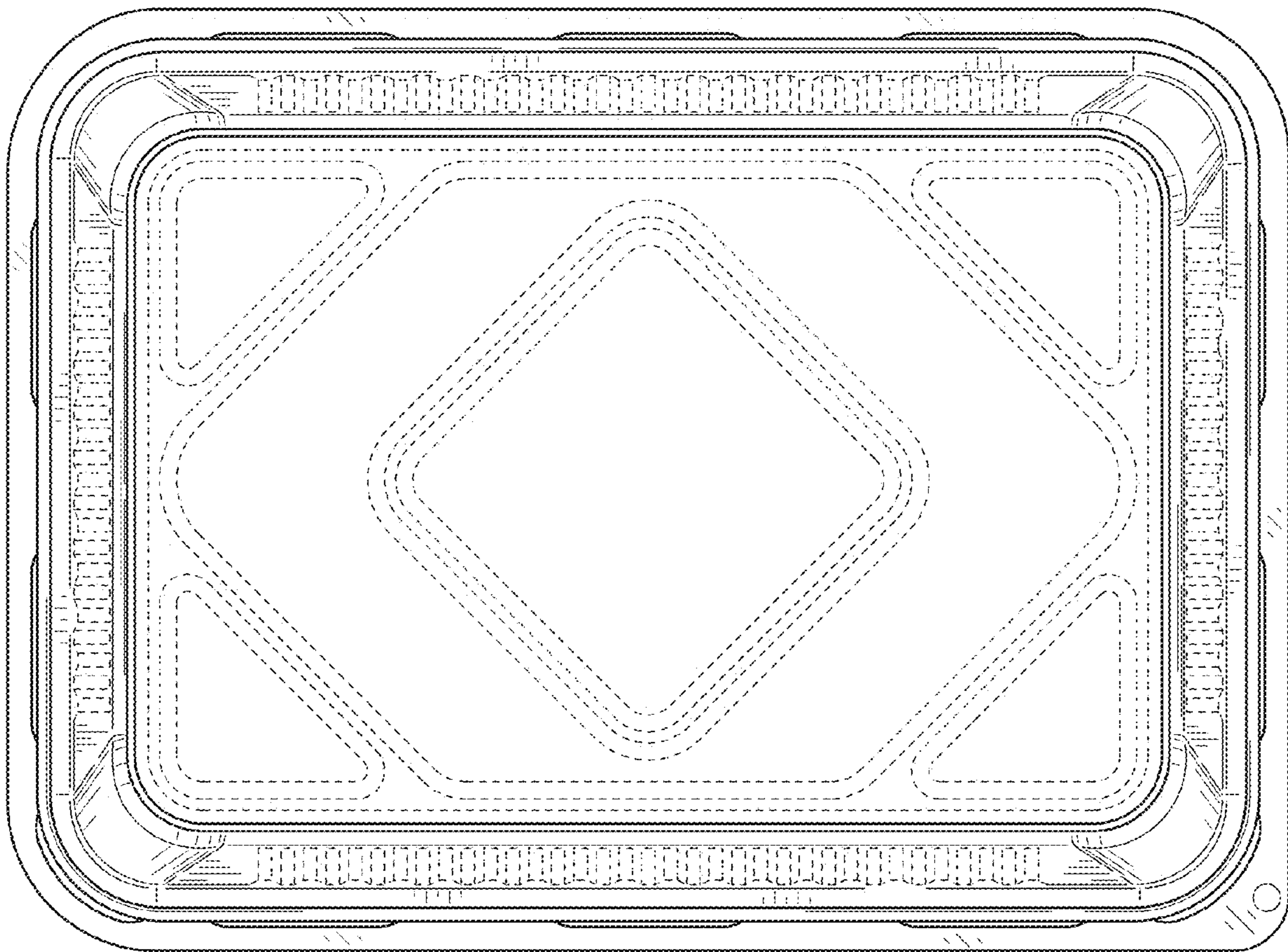


FIG. 7

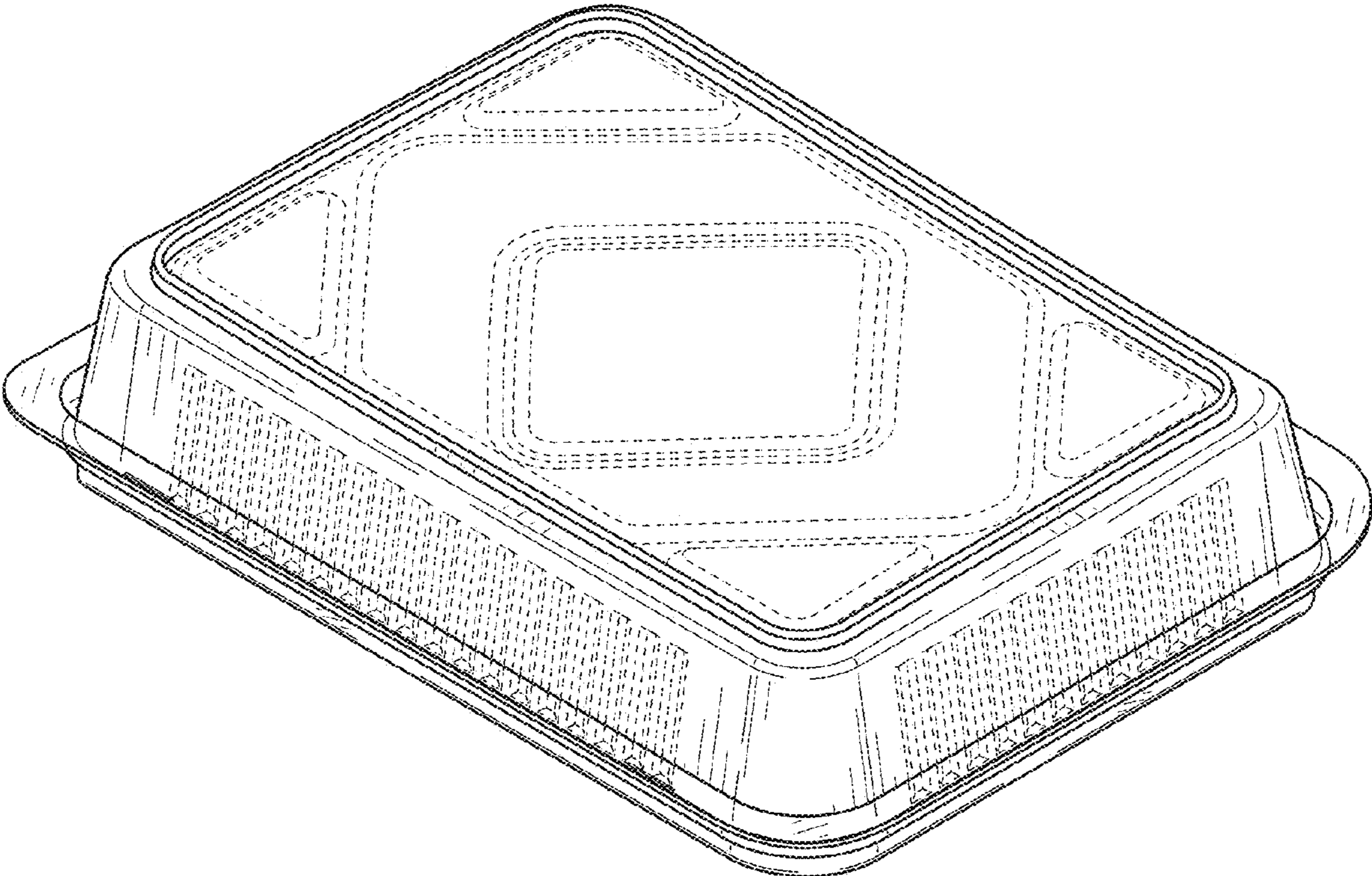


FIG. 8

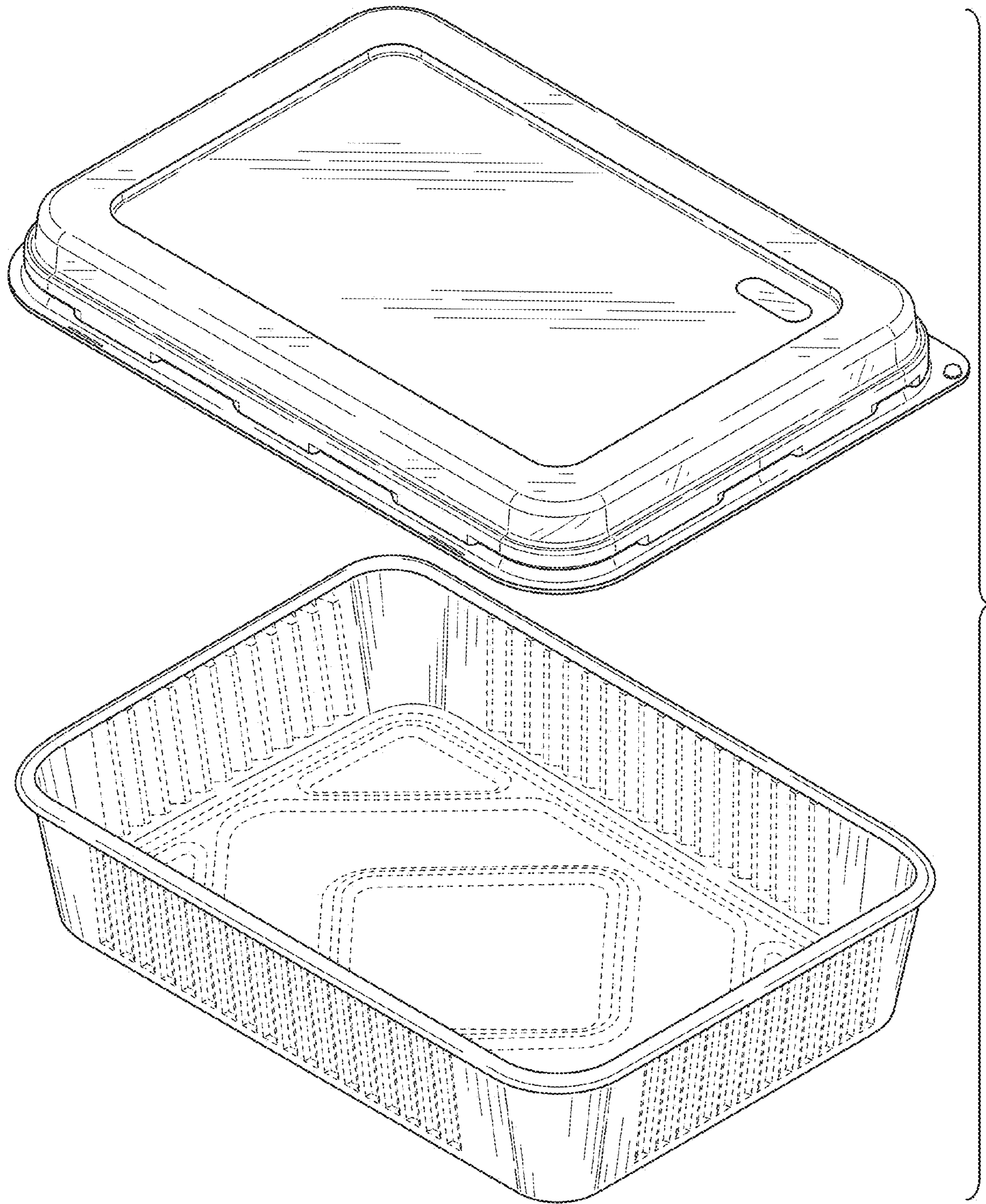


FIG. 9

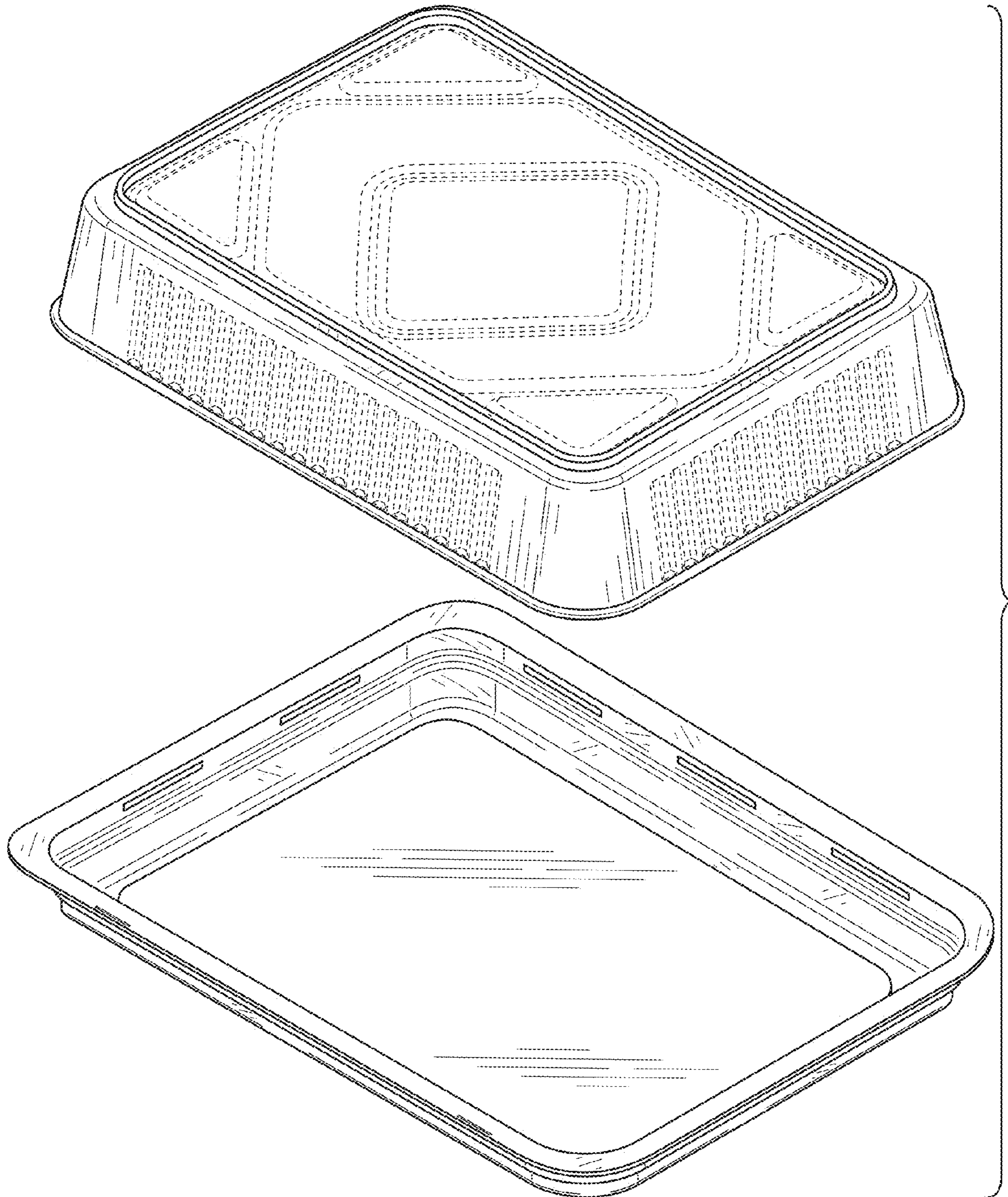


FIG. 10

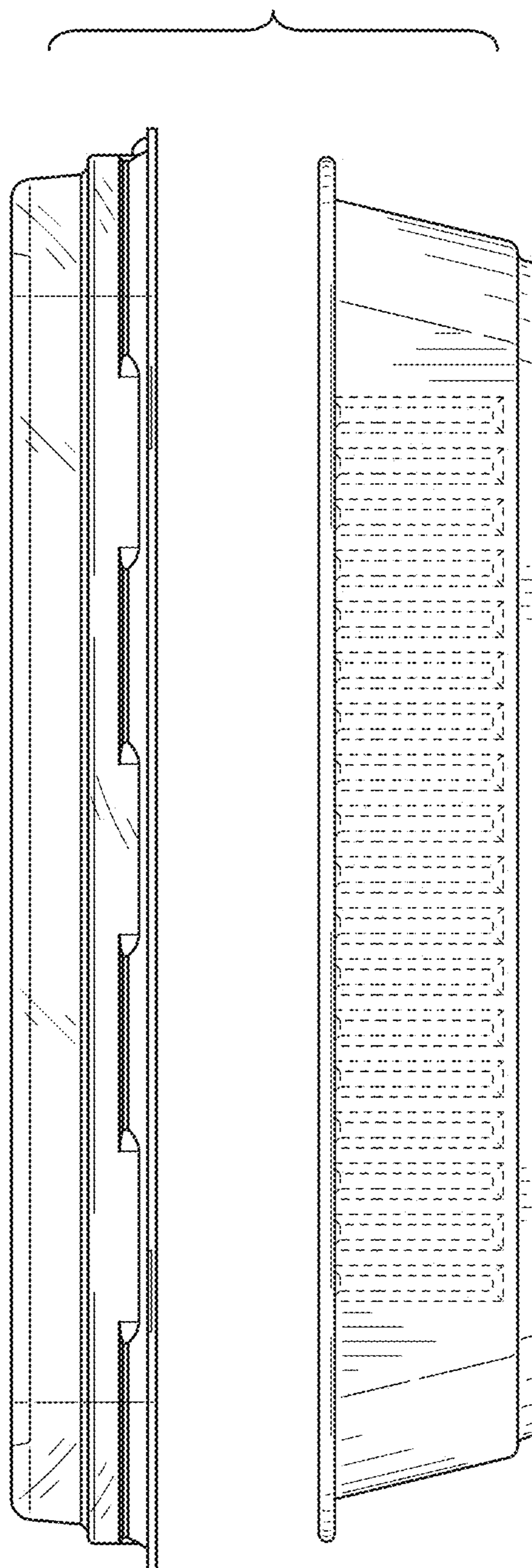


FIG. 11

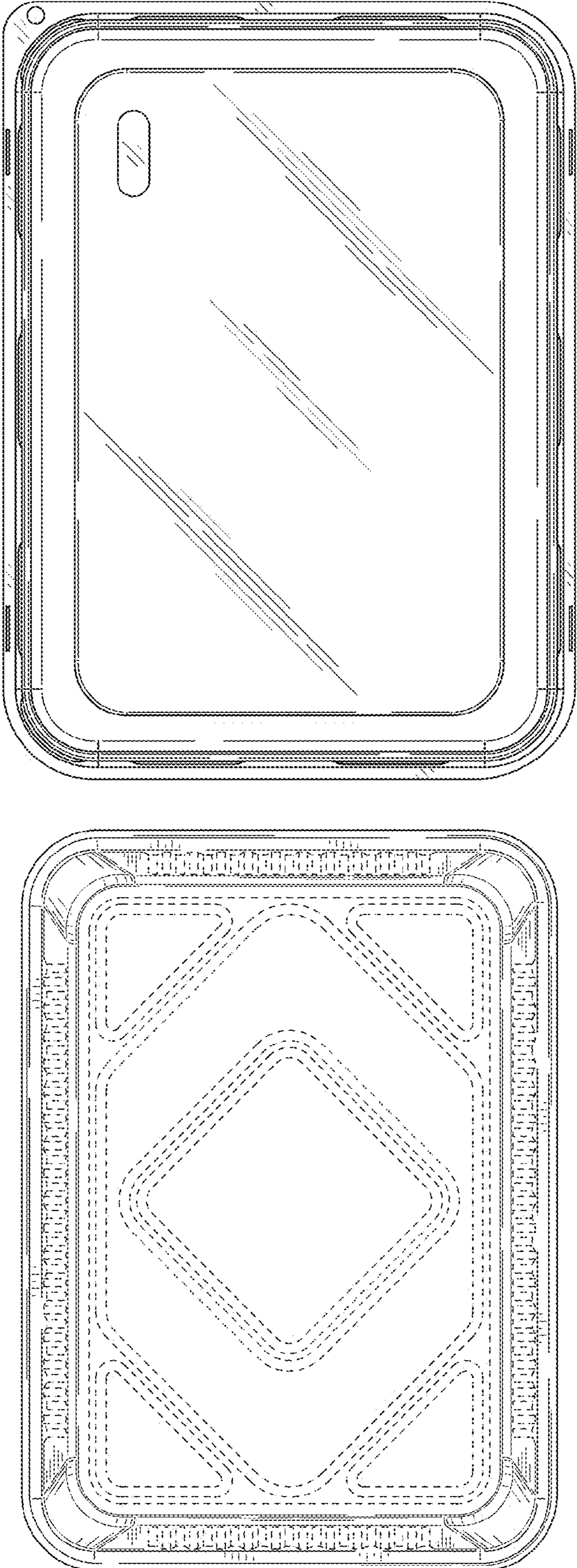


FIG. 12

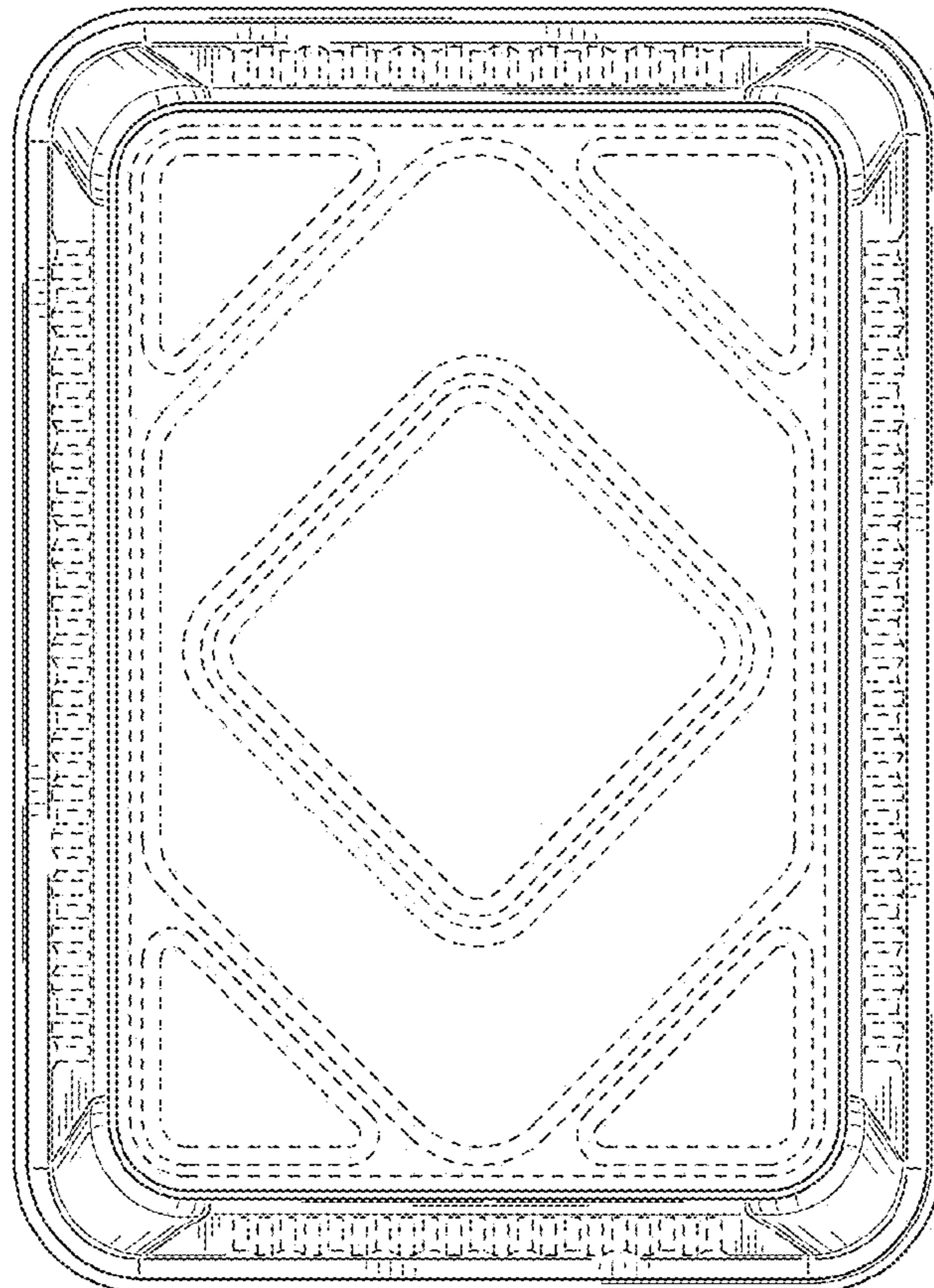
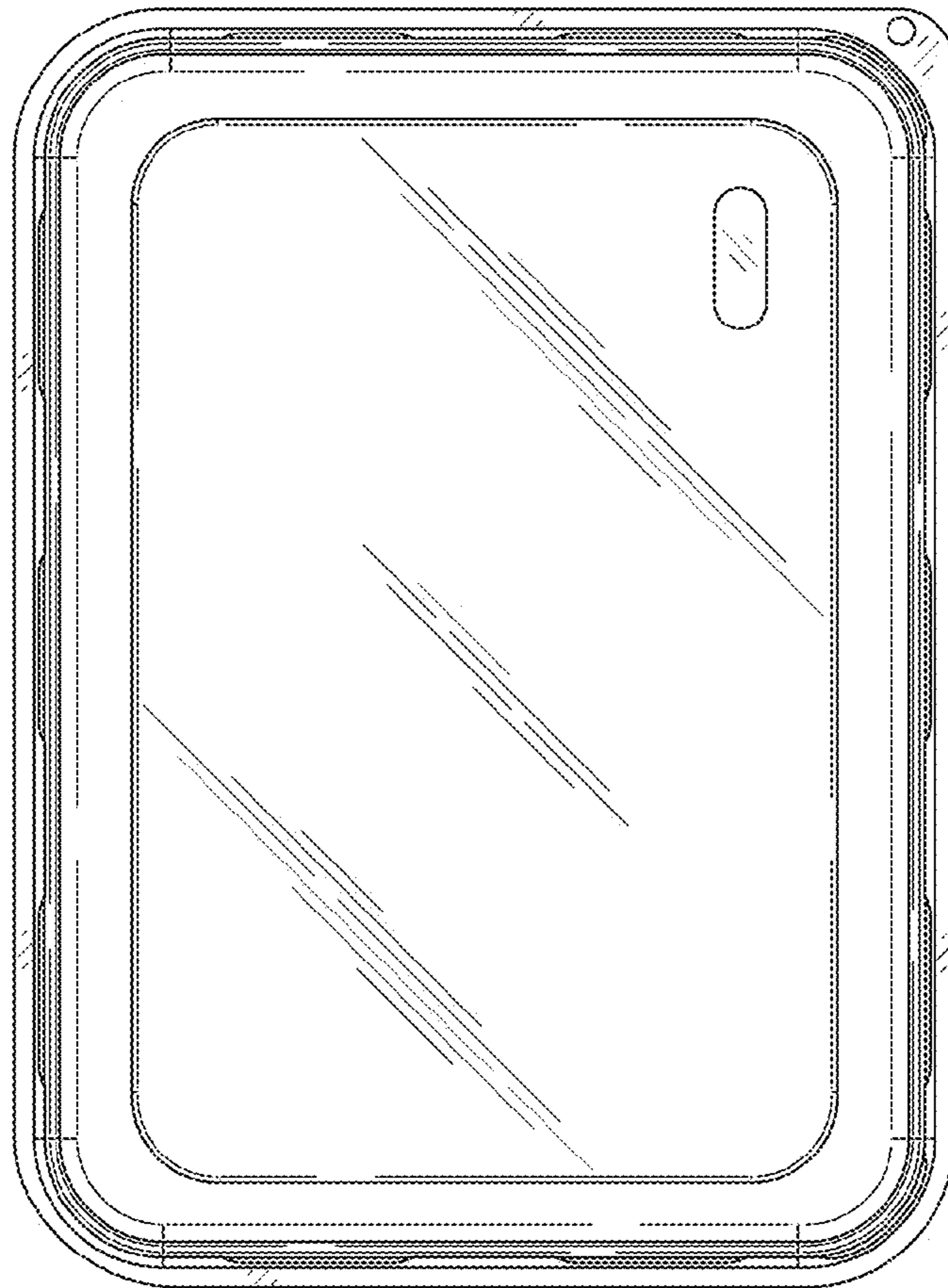


FIG. 13

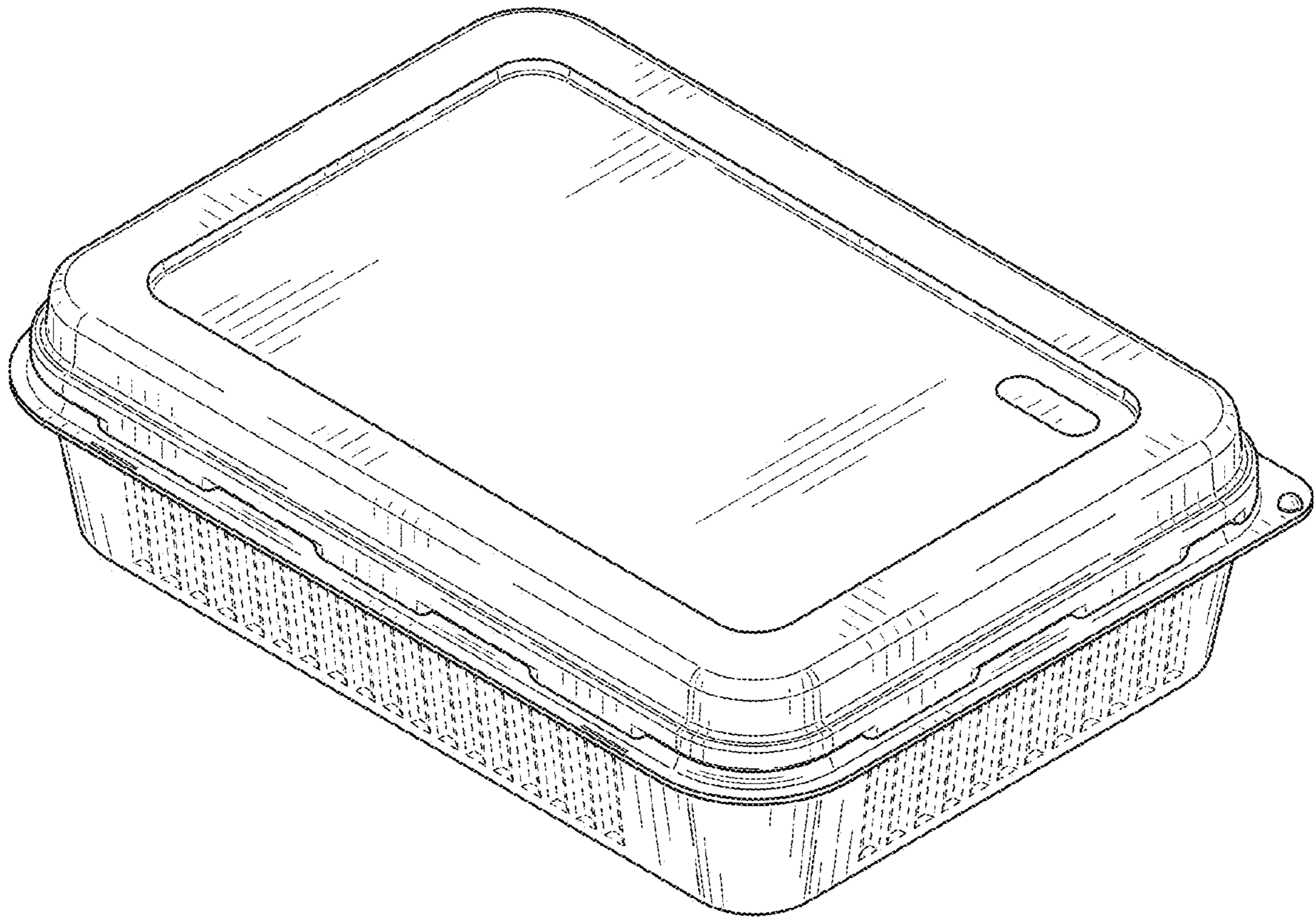


FIG. 14

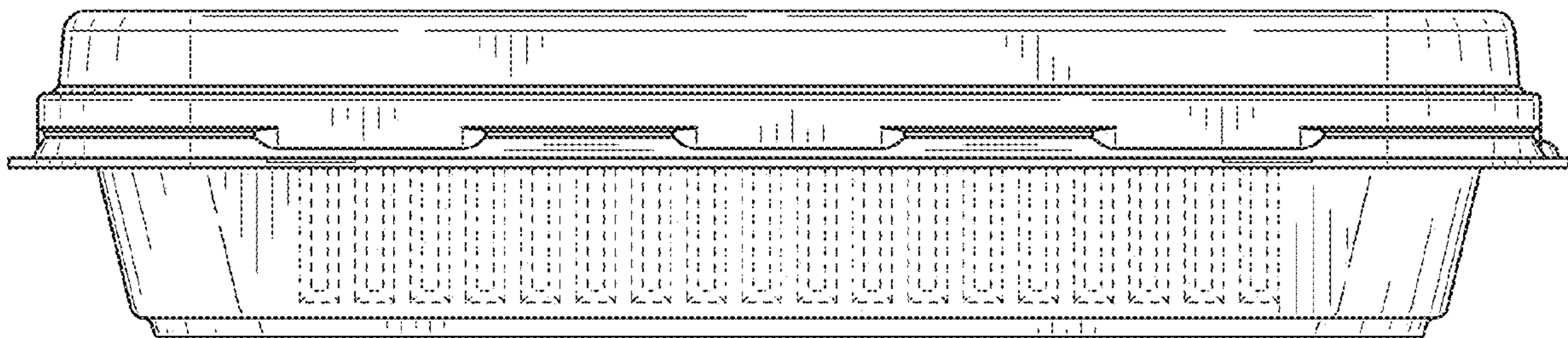


FIG. 15

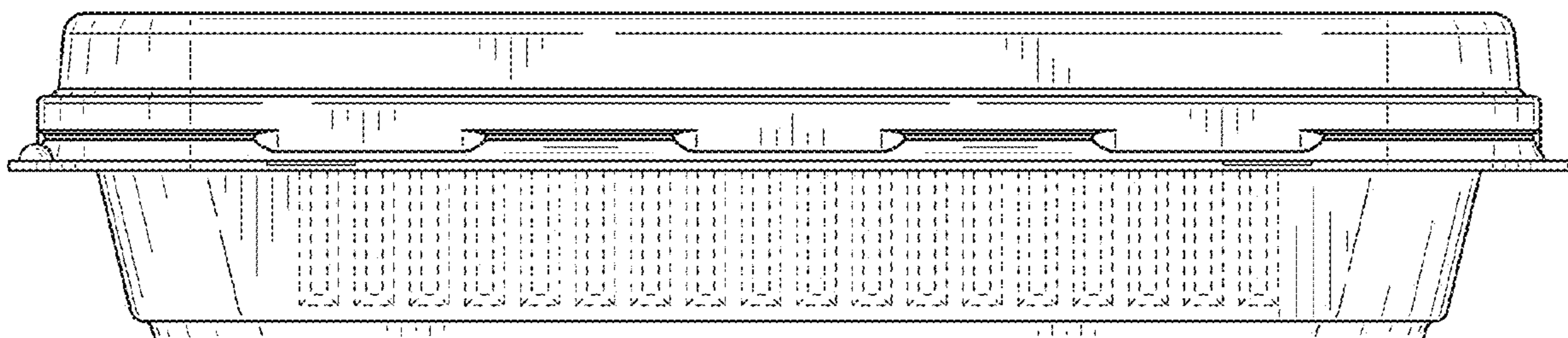


FIG. 16

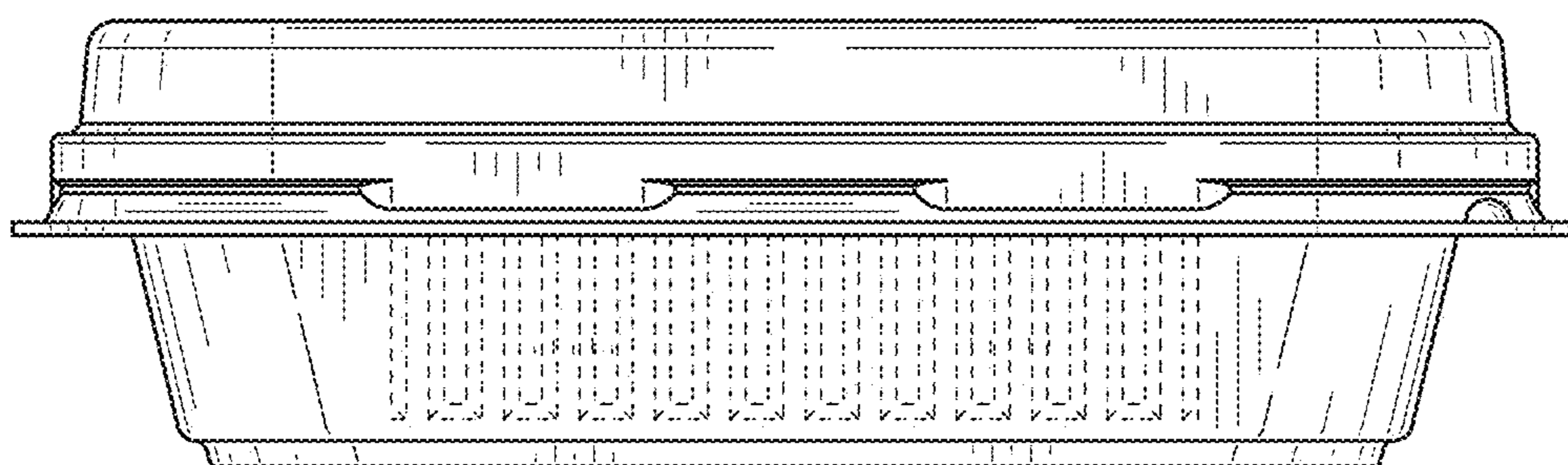


FIG. 17

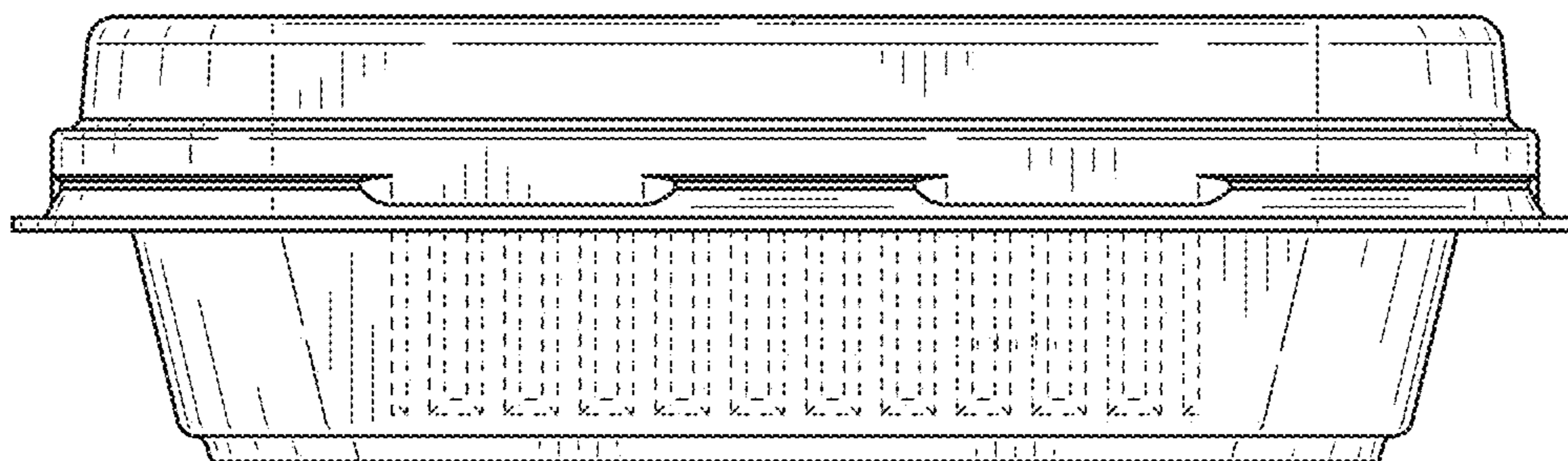


FIG. 18

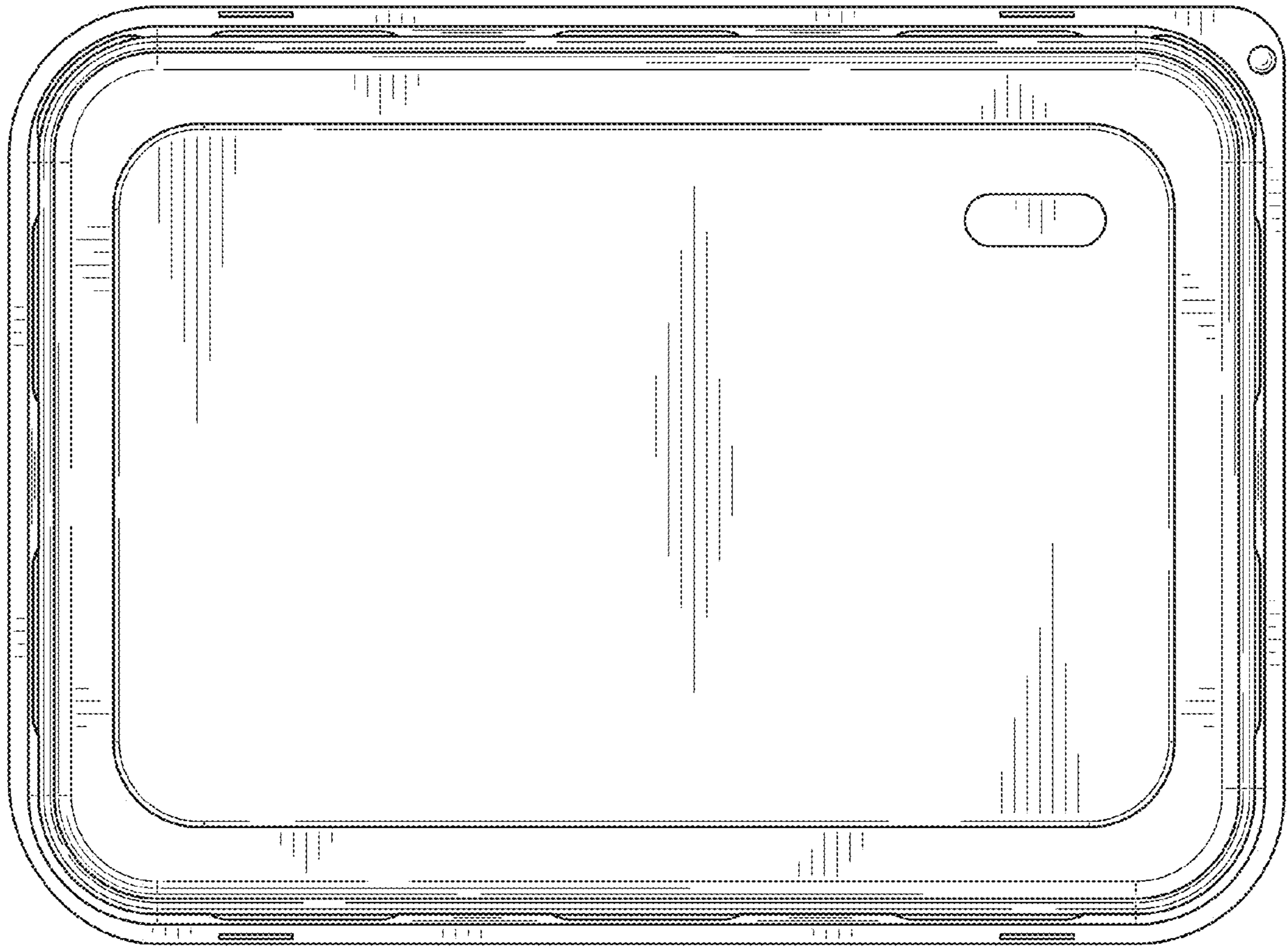


FIG. 19

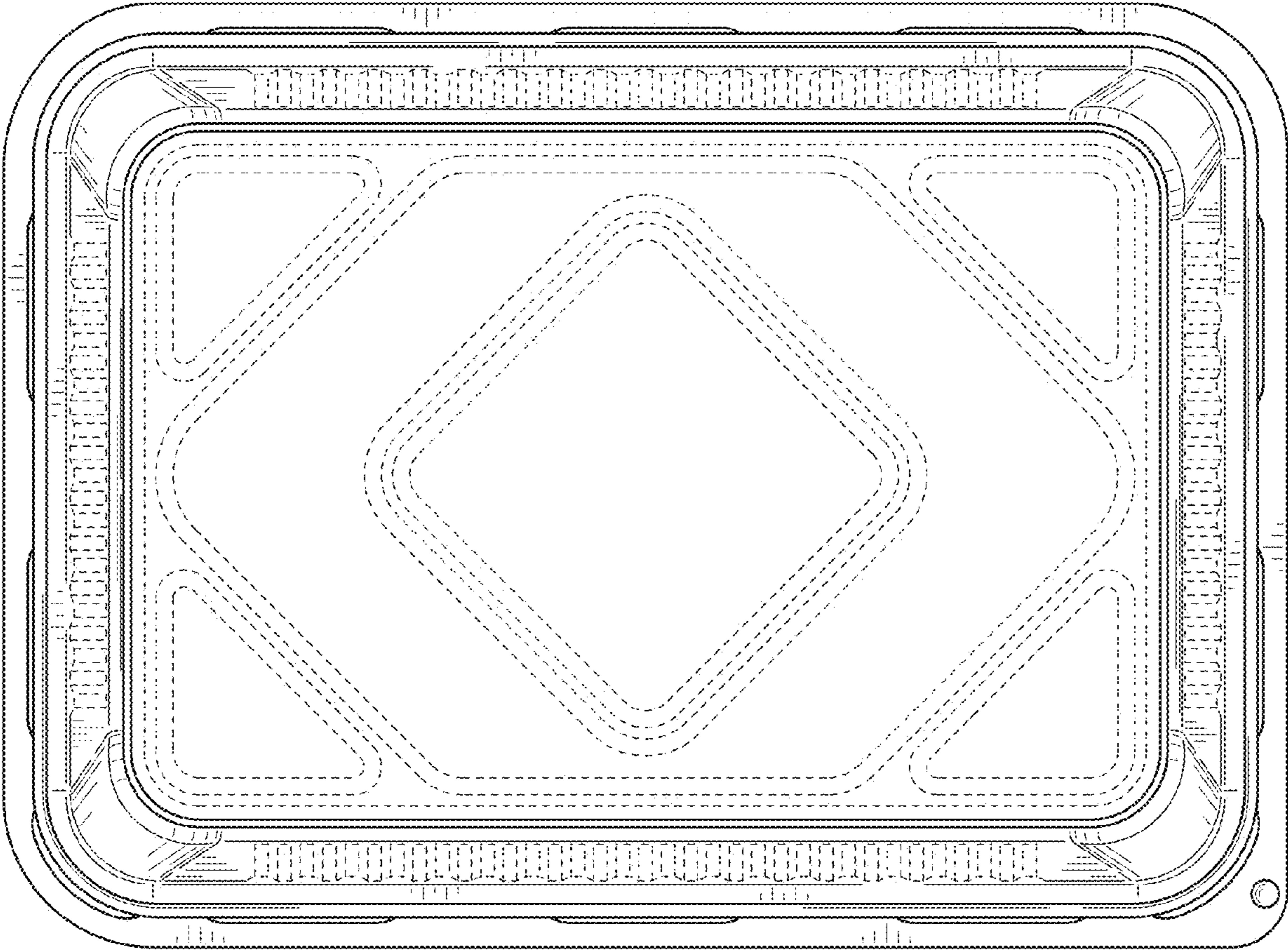


FIG. 20

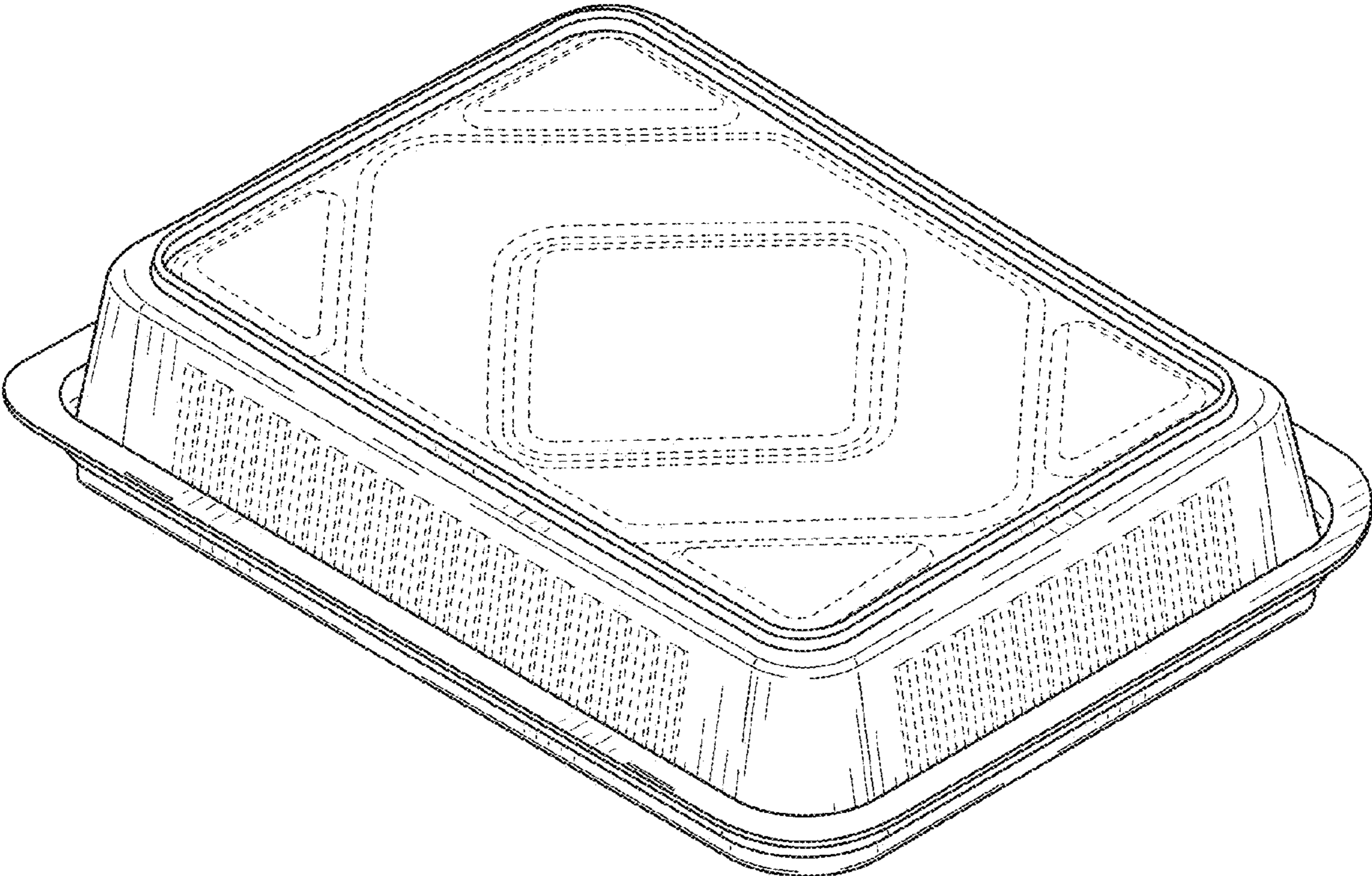


FIG. 21



FIG. 22

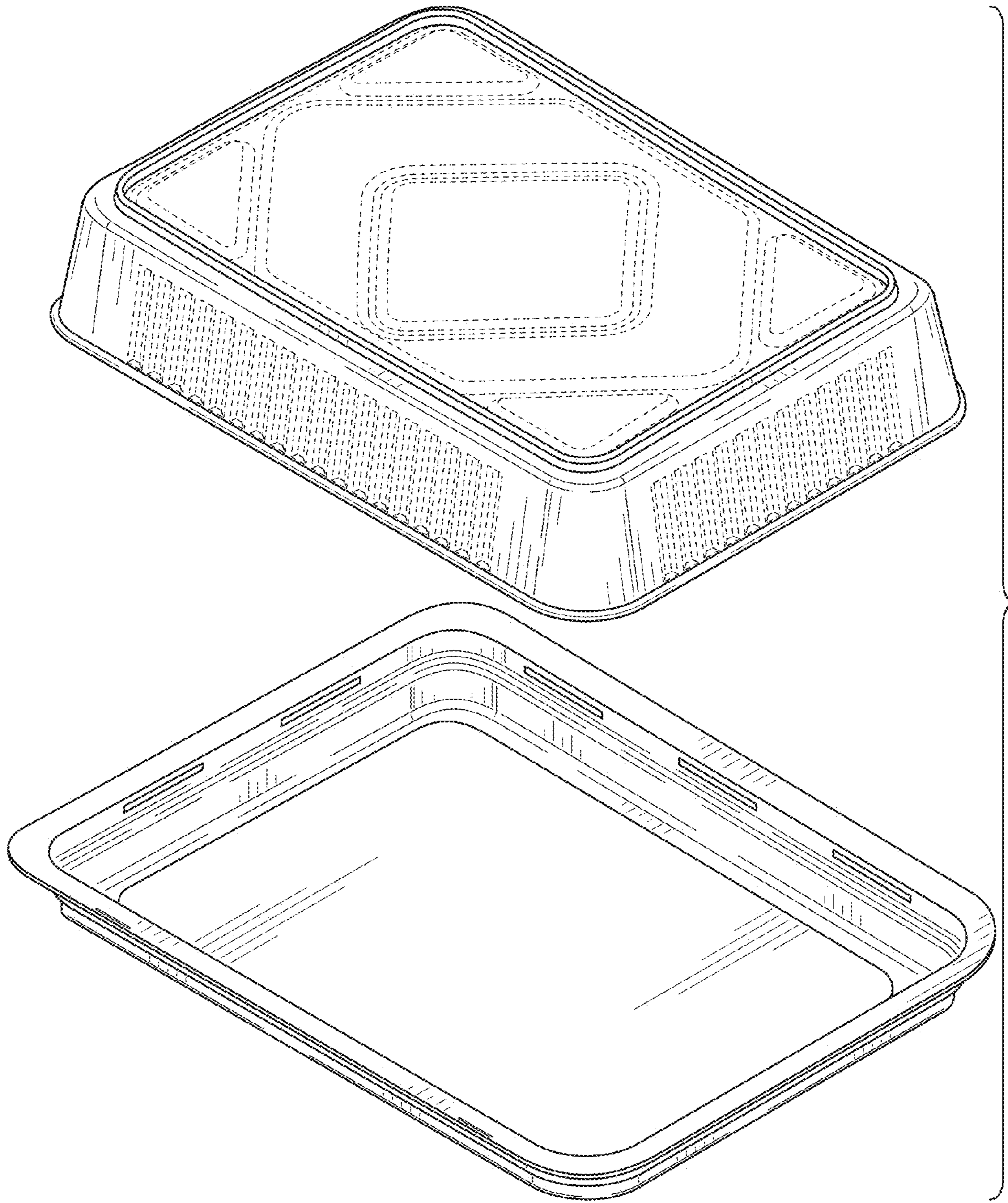


FIG. 23

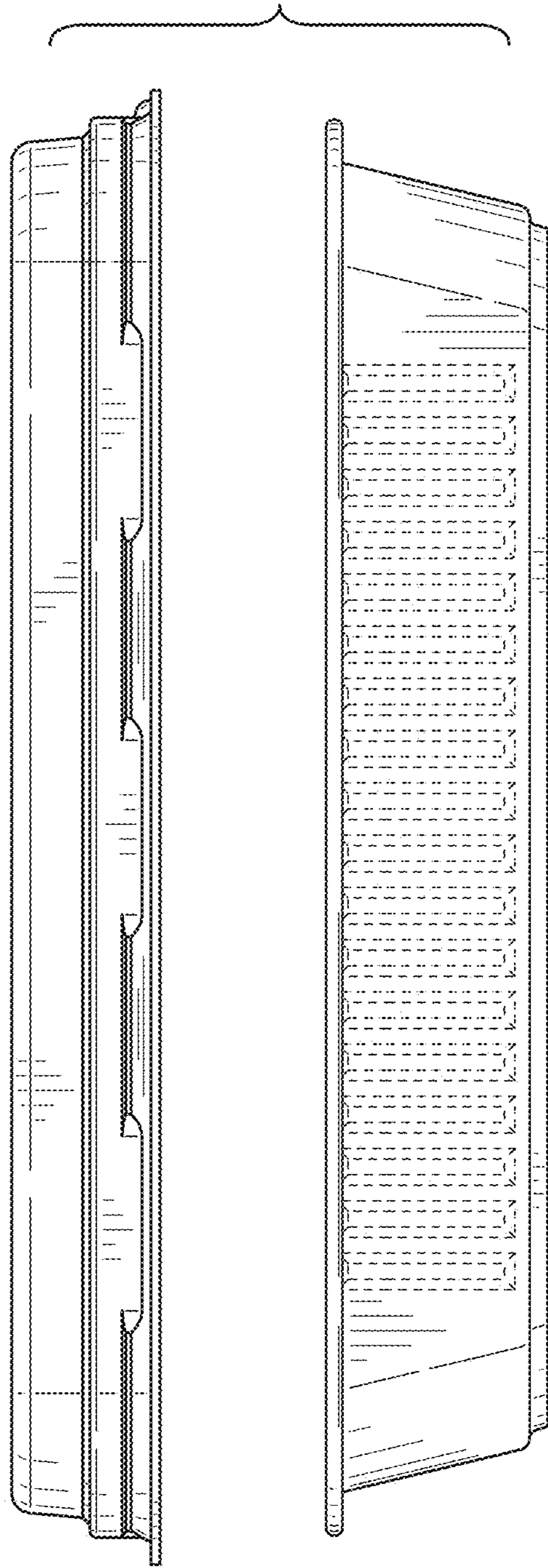


FIG. 24

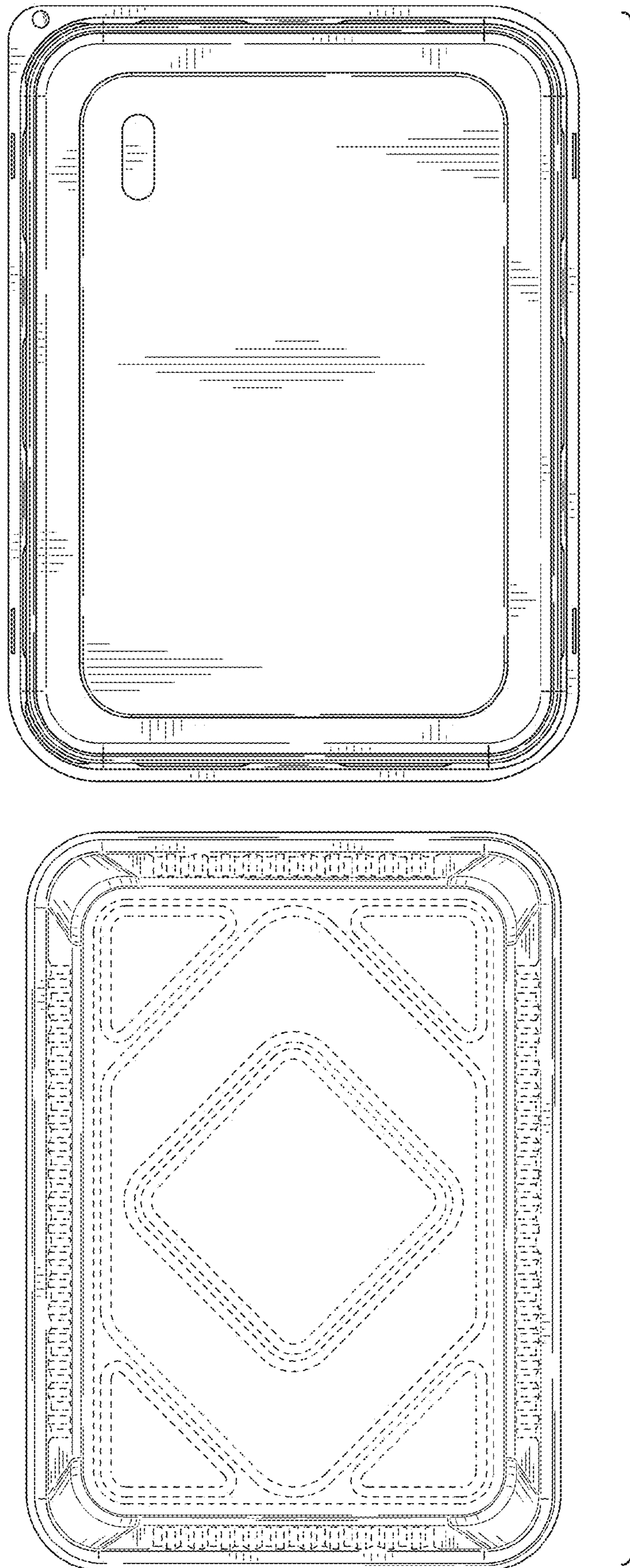


FIG. 25

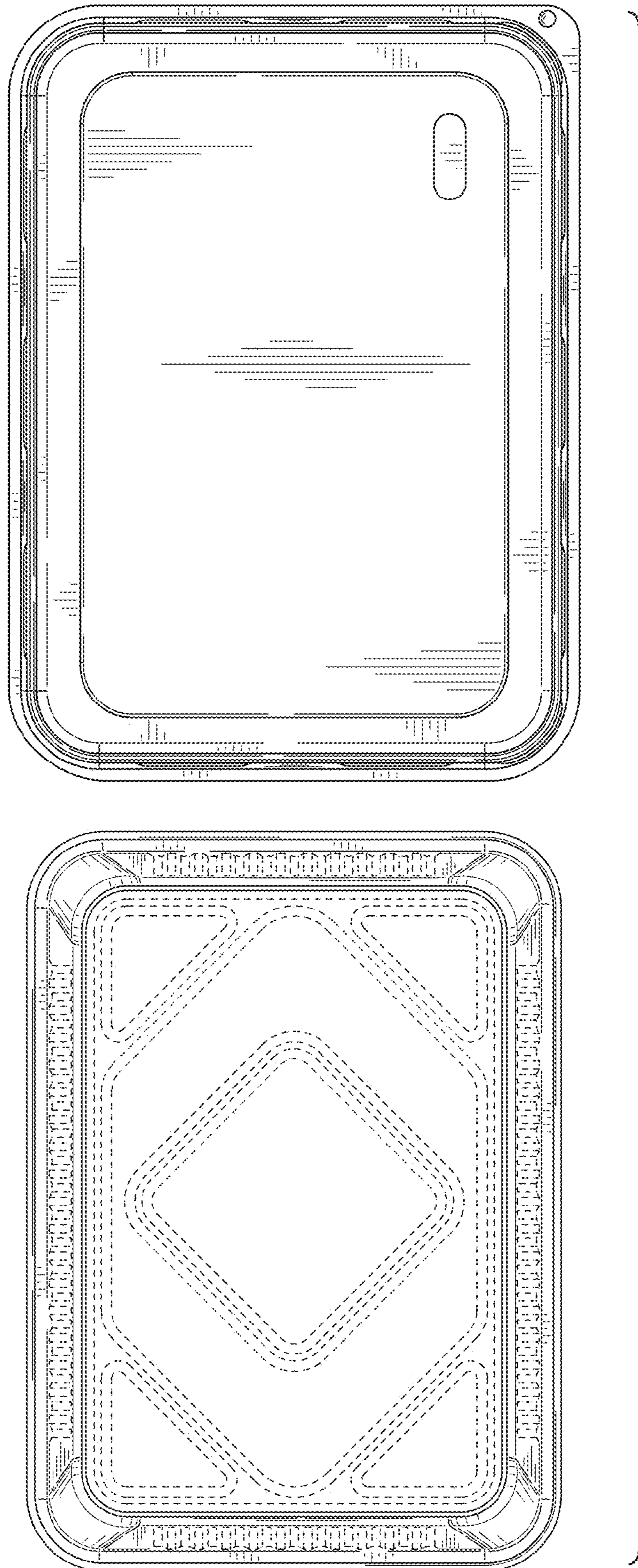


FIG. 26