



US00D934021S

(12) **United States Design Patent** (10) **Patent No.:** **US D934,021 S**  
**Luo et al.** (45) **Date of Patent:** **\*\* Oct. 26, 2021**

(54) **AIR FRYER**

(71) Applicant: **SHENZHEN VANTOP TECHNOLOGY & INNOVATION CO., LTD.**, Shenzhen (CN)

(72) Inventors: **Zhuocheng Luo**, Shenzhen (CN);  
**Shijun Liang**, Shenzhen (CN)

(73) Assignee: **SHENZHEN VANTOP TECHNOLOGY & INNOVATION CO., LTD.**, Shenzhen (CN)

(\*\*) Term: **15 Years**

(21) Appl. No.: **29/772,266**

(22) Filed: **Mar. 1, 2021**

(51) **LOC (13) Cl.** ..... **07-02**

(52) **U.S. Cl.**  
USPC ..... **D7/354**

(58) **Field of Classification Search**  
USPC ..... D7/323, 354-361  
CPC ..... A23L 1/01; A23L 1/0107; A23L 1/0114;  
A47J 27/00; A47J 27/004; A47J 27/08;  
A47J 27/09; A47J 27/092; A47J 36/025;  
A47J 36/06; A47J 36/08; A47J 36/10;  
A47J 36/12; A47J 36/18; A47J 36/20;  
A47J 36/22; A47J 36/165; A47J 37/00;  
A47J 37/12; A47J 37/129; A47J 37/1204;  
A47J 37/1209; A47J 37/1214; A47J  
37/1219; A47J 37/1266; A47J 37/1285;  
A47J 37/1295; G07F 17/0064; G07F  
17/0078; G07F 17/0085; H05B 6/02;  
H05B 6/06; H05B 6/12

See application file for complete search history.

(56) **References Cited**

**U.S. PATENT DOCUMENTS**

D836,381 S \* 12/2018 Moon ..... D7/354  
D839,040 S \* 1/2019 Seymour ..... D7/354  
D841,388 S \* 2/2019 Zhang ..... D7/354

D848,199 S 5/2019 Kowalewski et al.  
D871,827 S \* 1/2020 Moon ..... D7/354  
D875,460 S \* 2/2020 Chen ..... D7/354  
D875,463 S \* 2/2020 Chen ..... D7/354  
D878,138 S 3/2020 Van Ratingen  
D879,539 S \* 3/2020 Chen ..... D7/354  
D879,541 S \* 3/2020 Chen ..... D7/354  
D880,220 S \* 4/2020 Chen ..... D7/354  
D883,729 S \* 5/2020 Yang ..... D7/354  
D904,103 S \* 12/2020 Krause ..... D7/354  
D923,386 S \* 6/2021 Lin ..... D7/354  
2015/0122137 A1\* 5/2015 Chang ..... A47J 27/004  
99/447

**OTHER PUBLICATIONS**

KYVOL Air Fryer, 12-in-1 6 Quart Smart Wifi Air Fryer Oven. Date First Available on Amazon.com Jul. 12, 2021. <https://www.amazon.com/One-Touch-Digital-Control-Cookers-Visible/dp/B0995XWH3F/ref> (Year: 2021).\*

\* cited by examiner

*Primary Examiner* — Ricky Pham

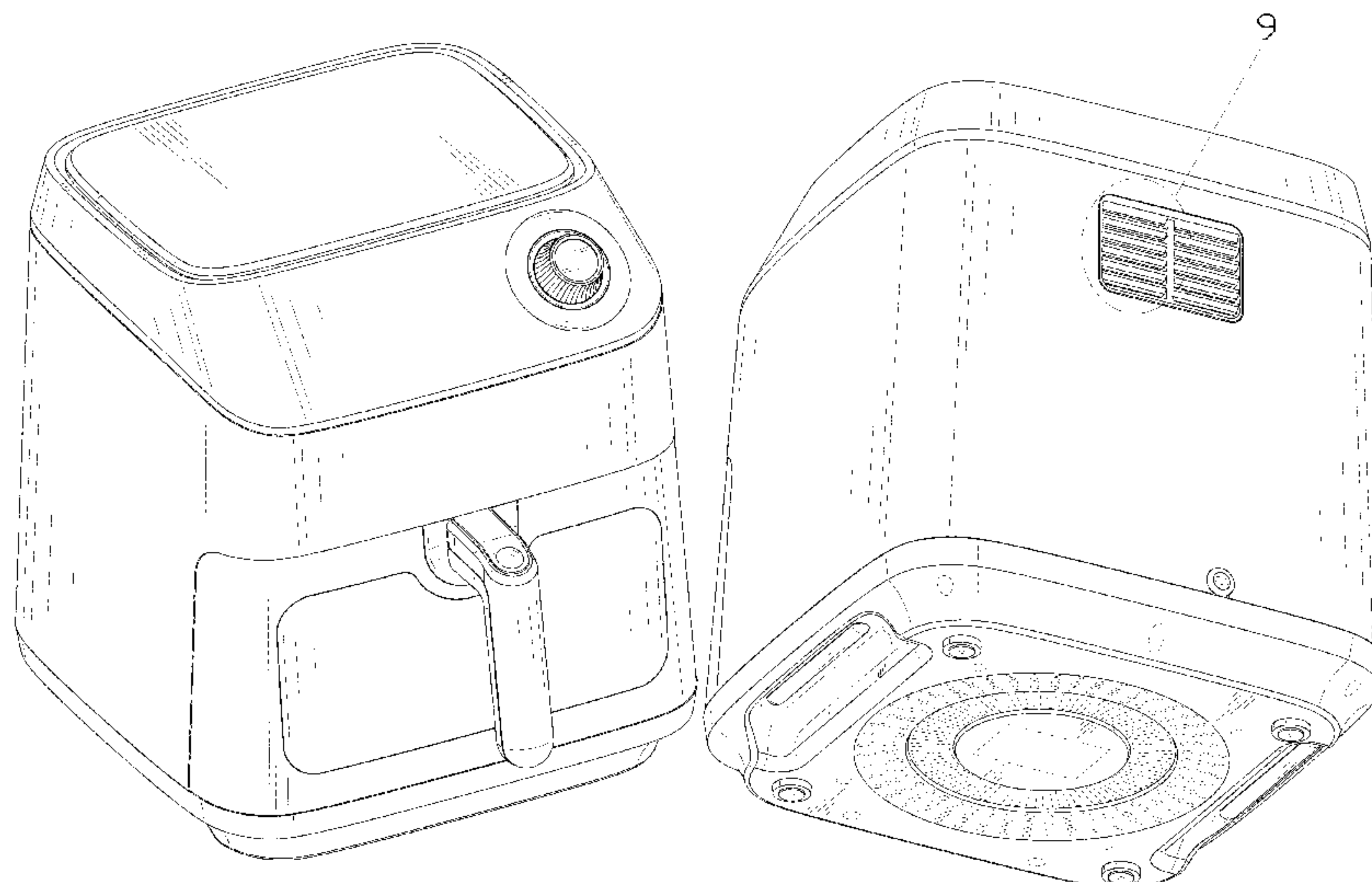
(57) **CLAIM**

The ornamental design for an air fryer, as shown and described.

**DESCRIPTION**

FIG. 1 is a perspective view of an air fryer showing our new design;  
FIG. 2 is another perspective view thereof;  
FIG. 3 is a front elevational view thereof;  
FIG. 4 is a rear elevational view thereof;  
FIG. 5 is a left side elevational view thereof;  
FIG. 6 is a right side elevational view thereof;  
FIG. 7 is a top plan view thereof;  
FIG. 8 is a bottom plan view thereof; and,  
FIG. 9 is an enlarged view of portion 9 shown in FIG. 2.  
The broken lines in the drawings depict portions of the air fryer that form no part of the claimed design.

**1 Claim, 9 Drawing Sheets**



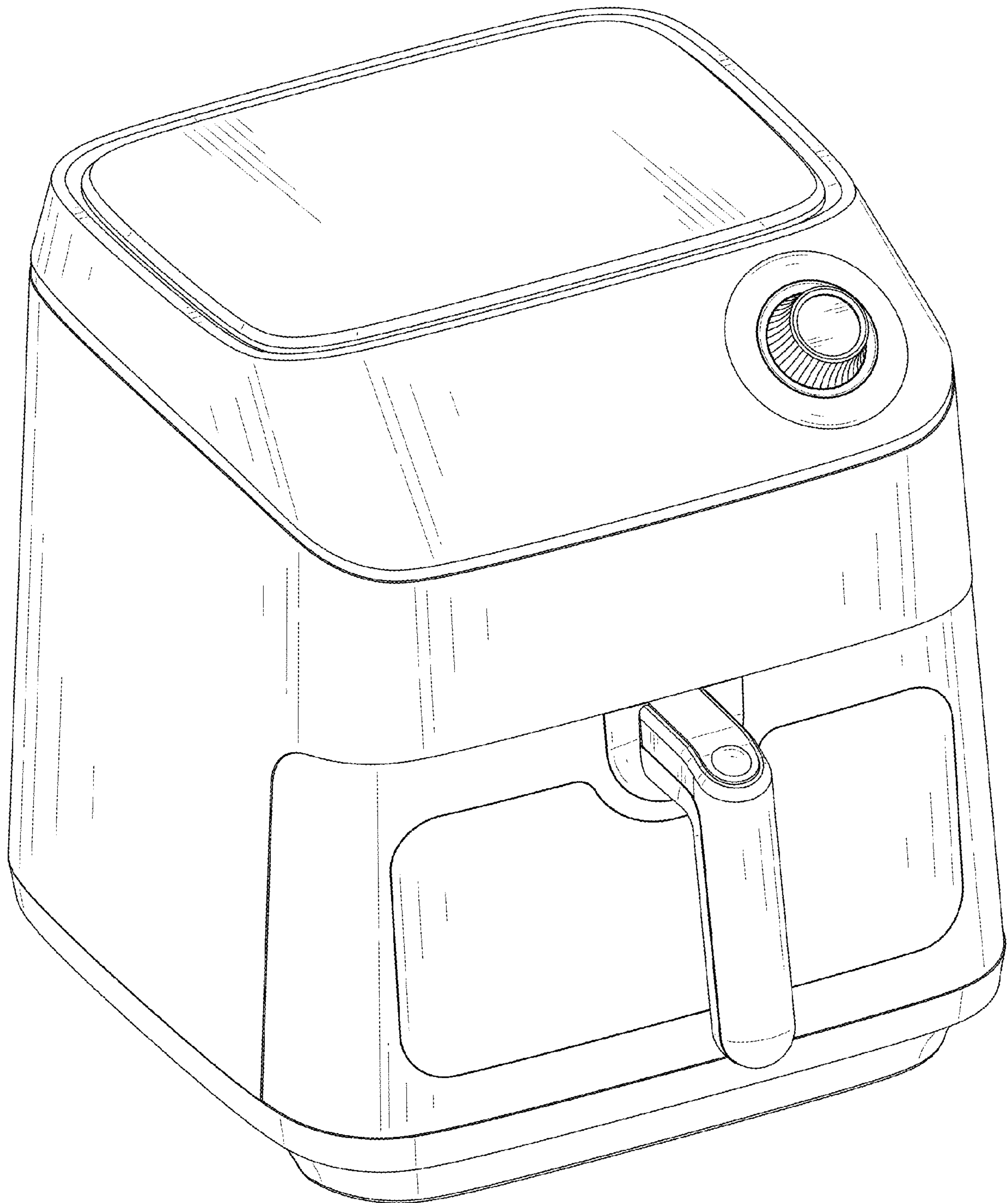


FIG. 1

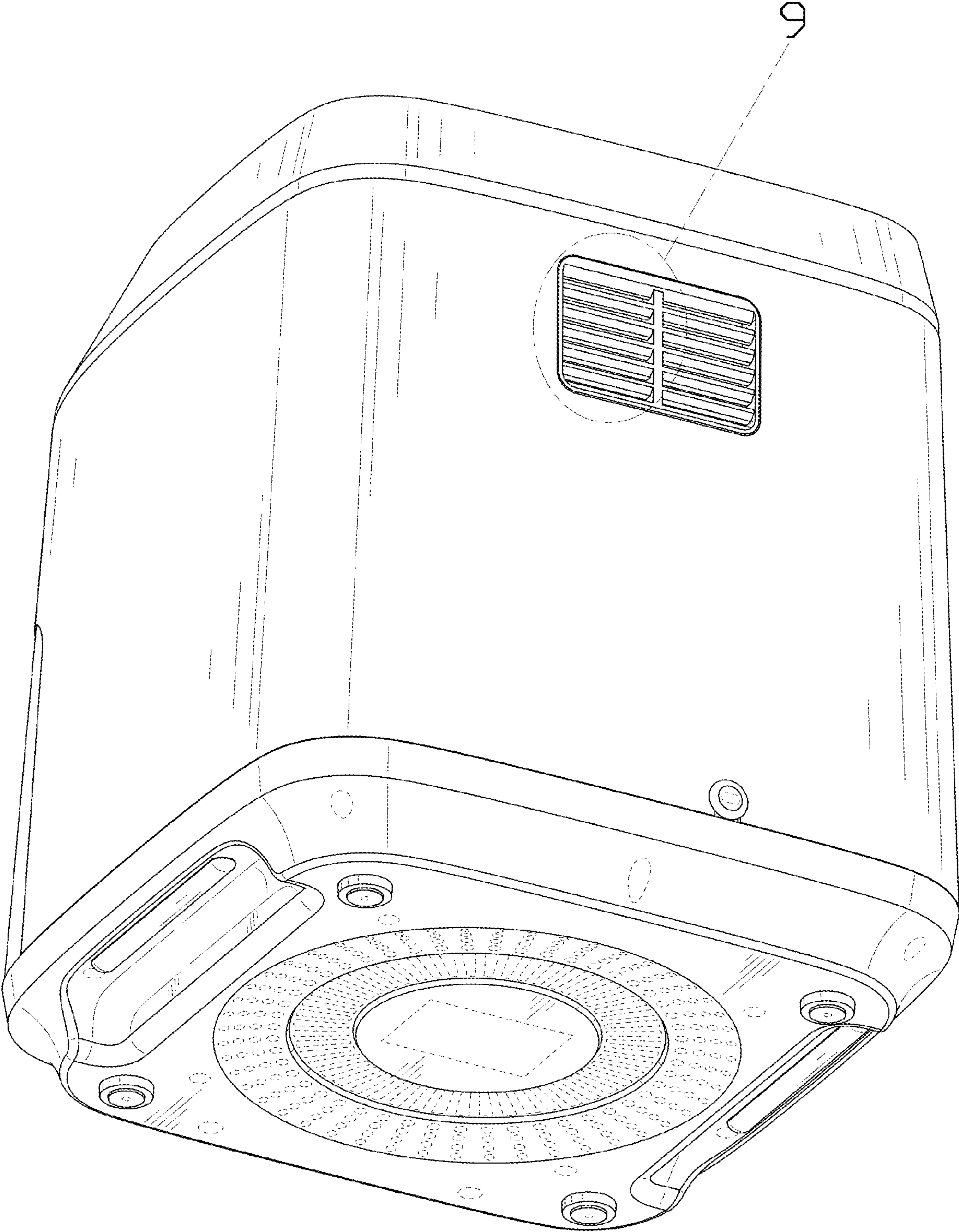


FIG. 2



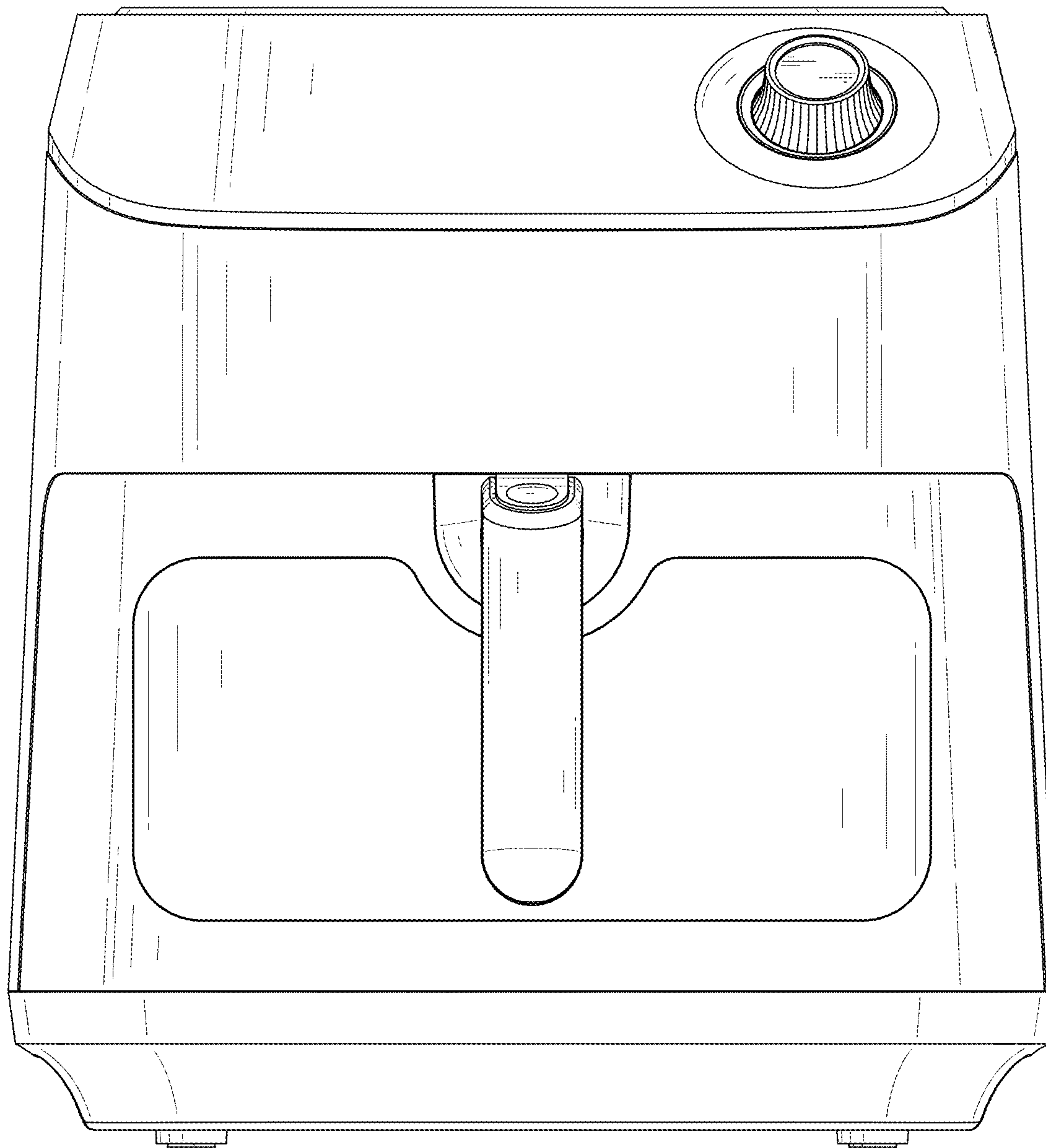


FIG. 3

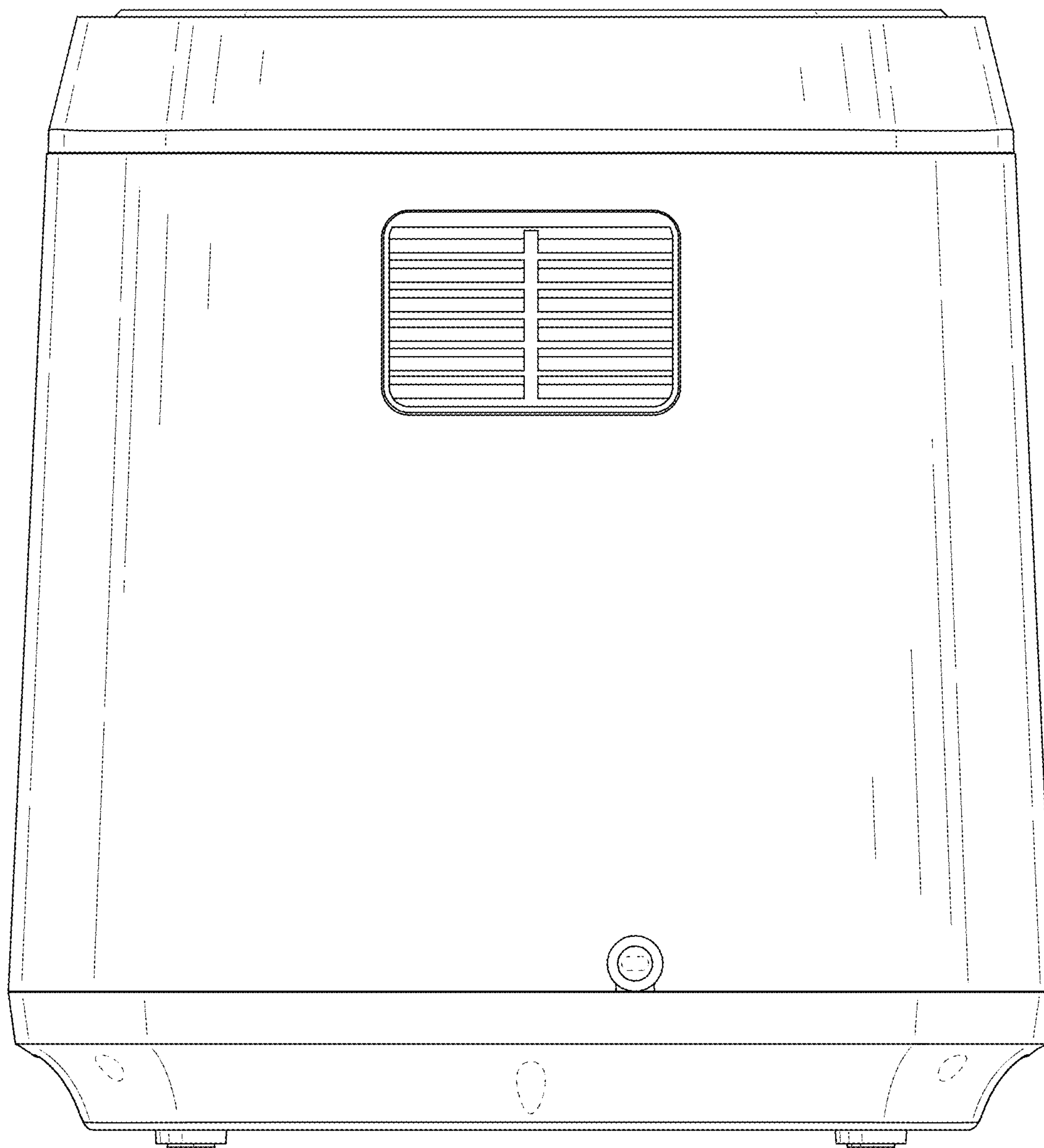


FIG. 4

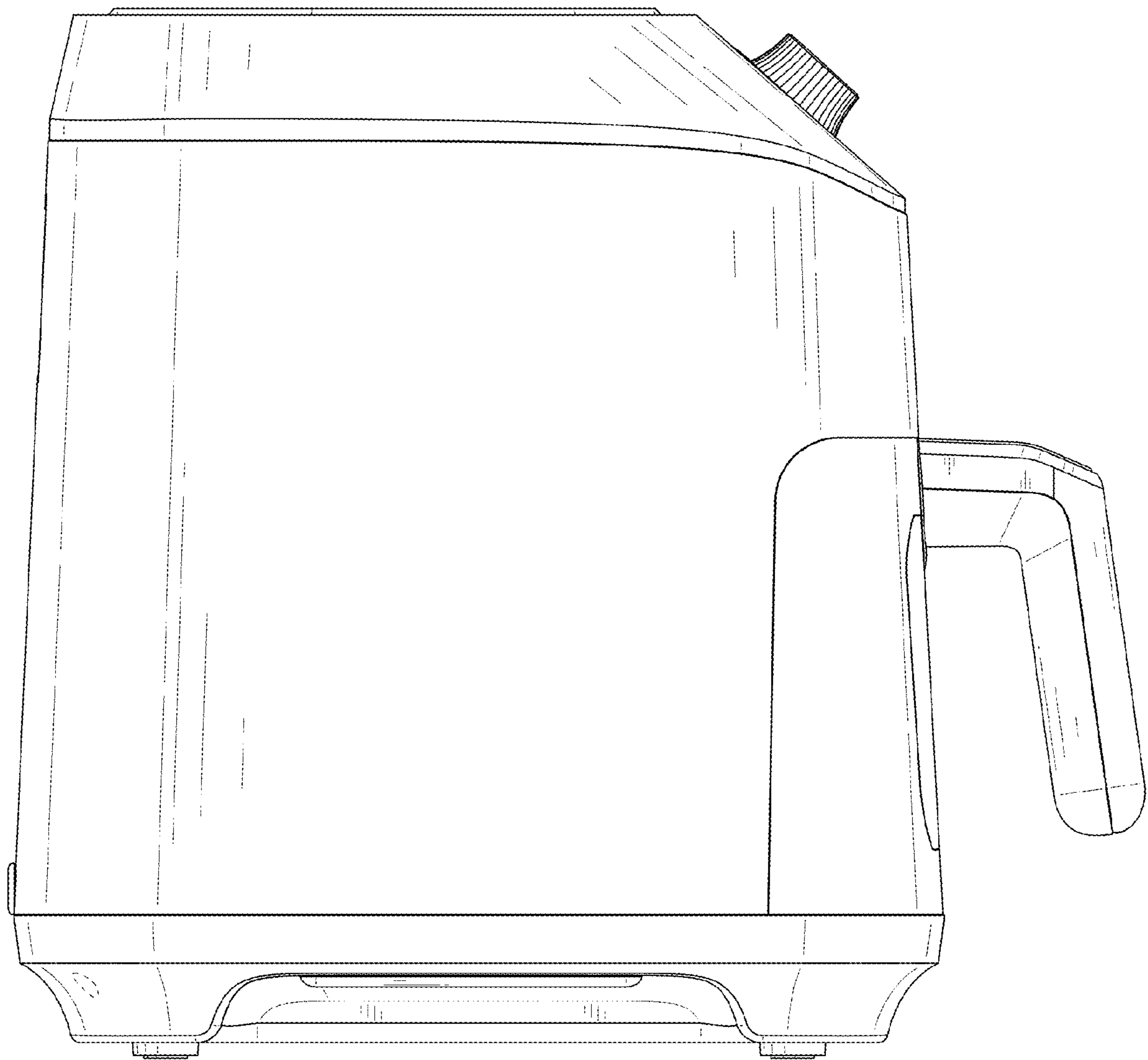


FIG. 5

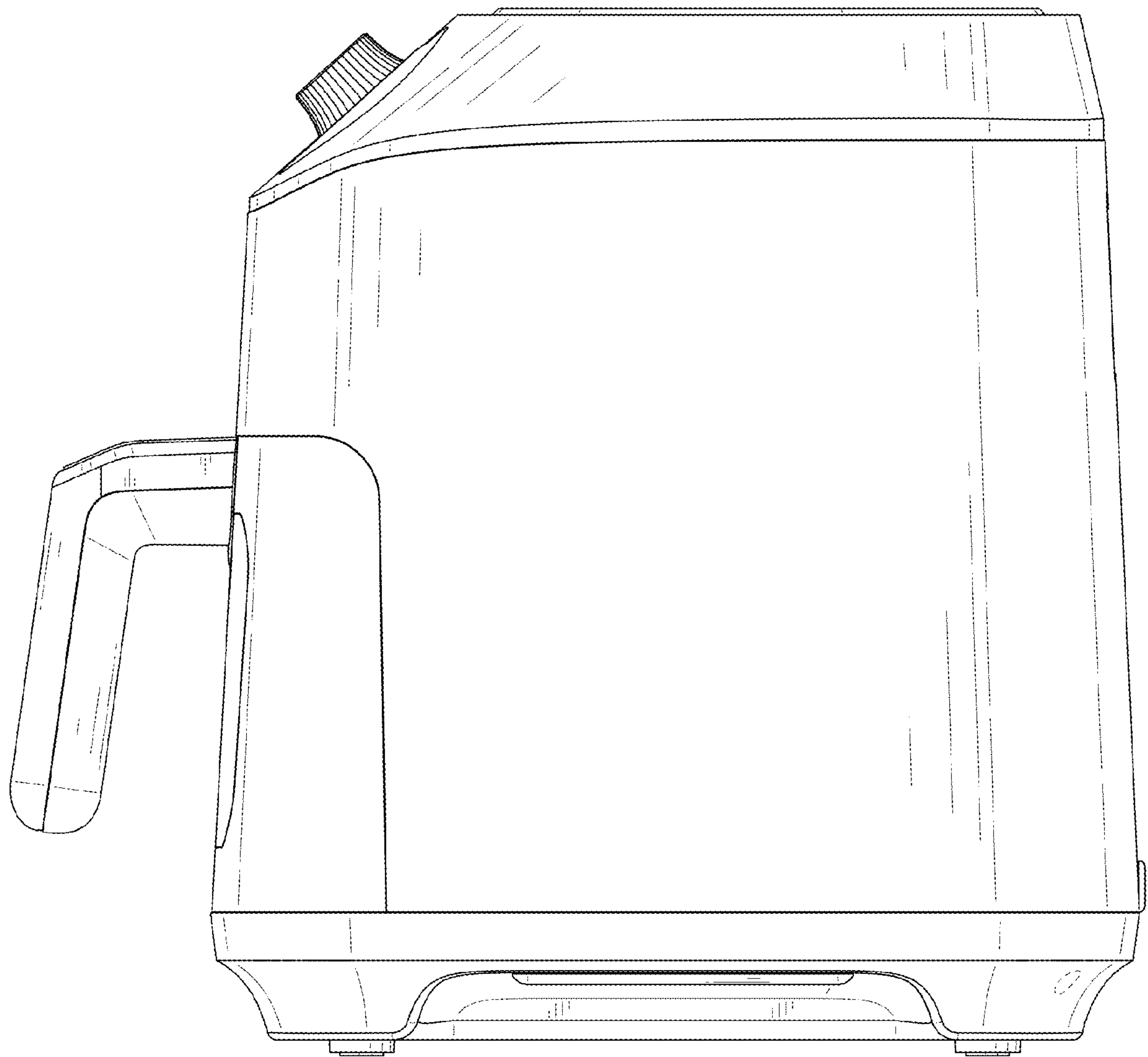


FIG. 6

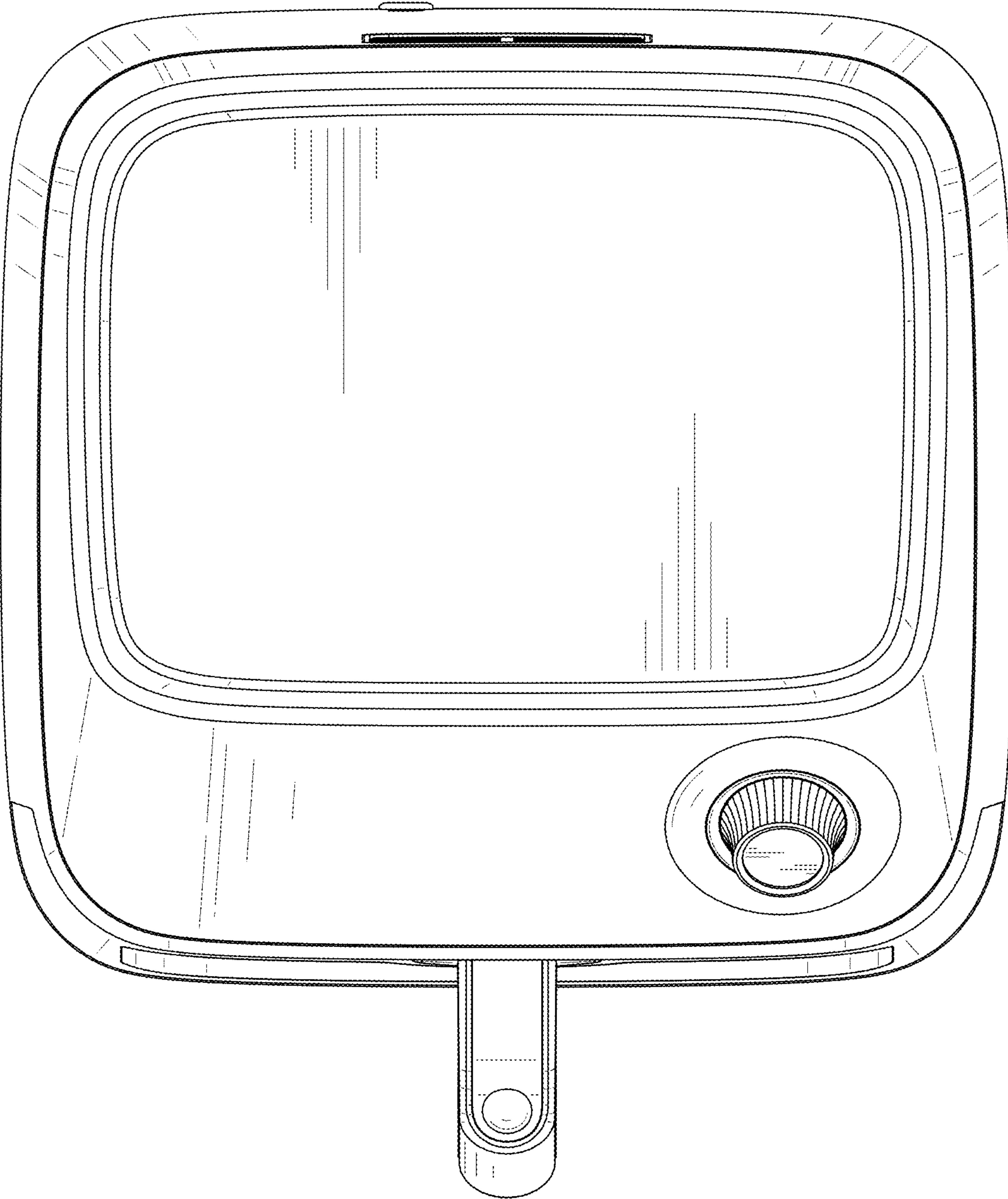


FIG. 7



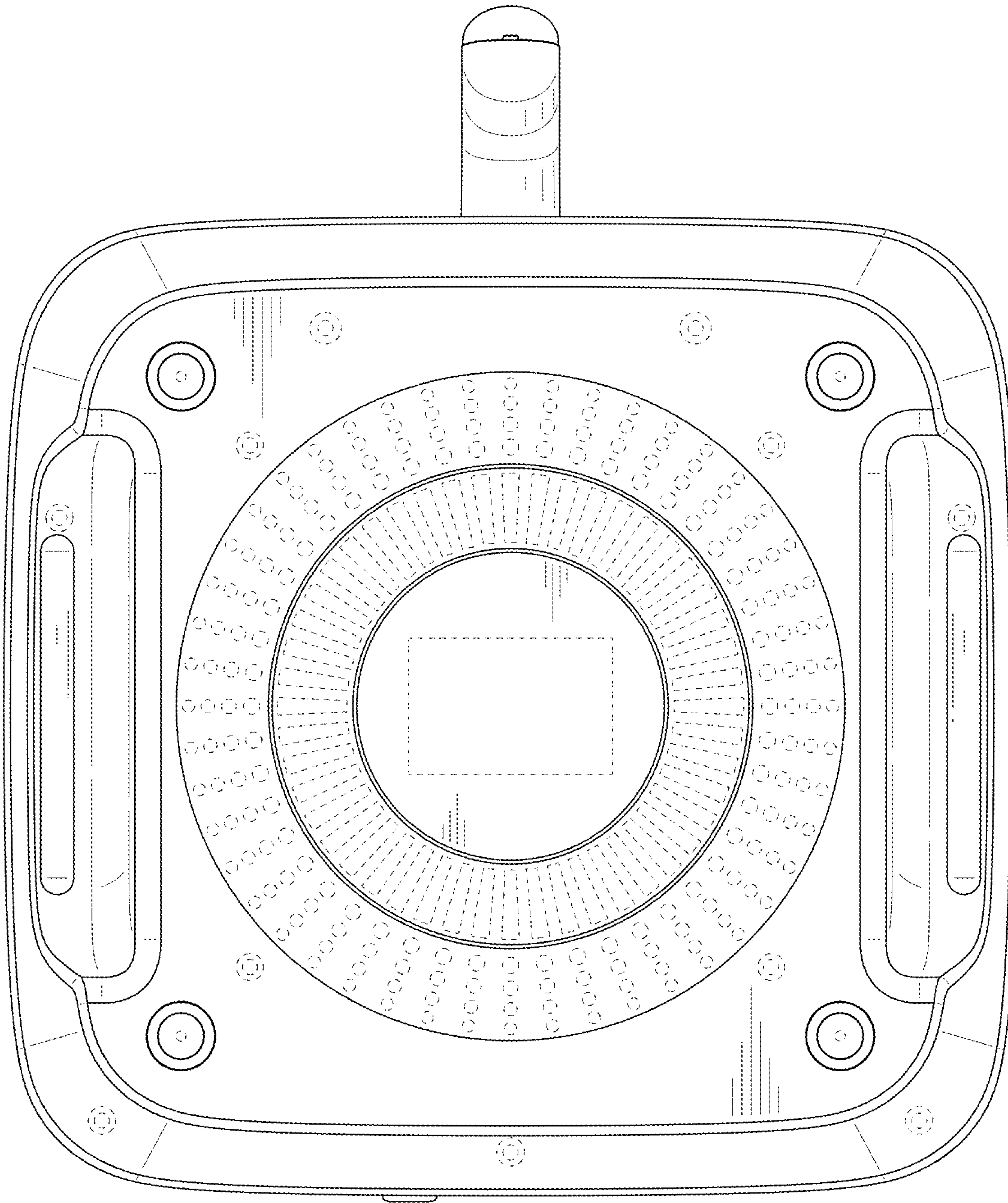


FIG. 8

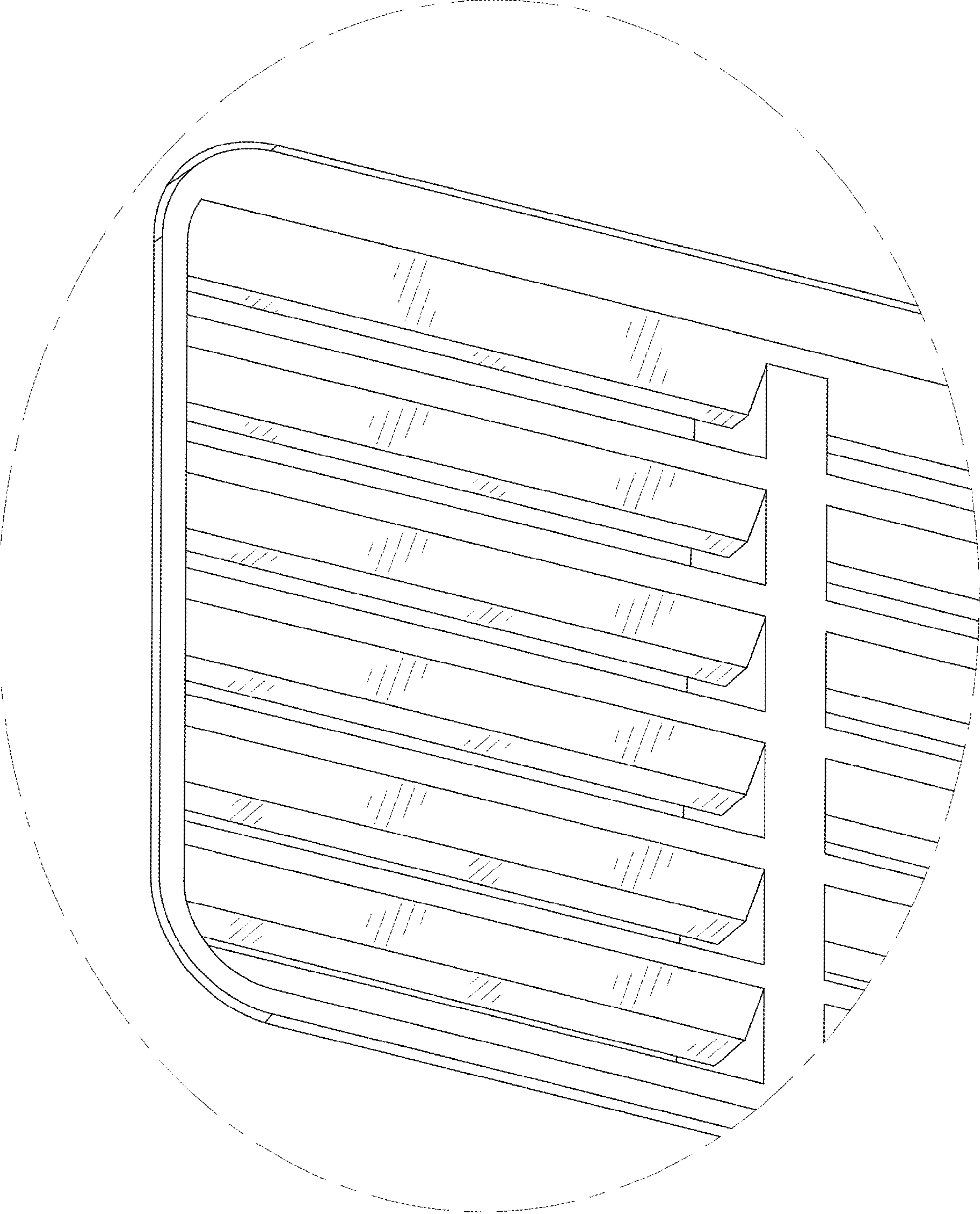


FIG. 9