

US00D934019S

(12) **United States Design Patent** (10) **Patent No.:** **US D934,019 S**
Singh (45) **Date of Patent:** **** Oct. 26, 2021**

(54) **GUN SHAPED DECANTER WITH RECTANGLE BASE**
(71) Applicant: **Mukul Singh**, Winnipeg (CA)
(72) Inventor: **Mukul Singh**, Winnipeg (CA)
(**) Term: **15 Years**
(21) Appl. No.: **29/719,580**
(22) Filed: **Jan. 6, 2020**
(51) **LOC (13) Cl.** **07-01**
(52) **U.S. Cl.**
USPC **D7/301; D9/680**
(58) **Field of Classification Search**
USPC D7/507, 509, 510, 511, 512, 523, 532, D7/305, 531, 608, 392.1, 396.2, 533, 536, D7/301, 505, 599, 598; D27/172, 174, D27/175, 176; D9/501, 502, 503, 504, D9/530, 529, 522, 554, 567, 571, 569, D9/449, 516, 523, 524, 543, 565, 575, D9/680
CPC A47J 43/27; A47J 41/02; A47G 19/22; A47G 19/16; A47G 19/2205; A47G 19/2288; B65D 1/265
See application file for complete search history.

D851,454 S * 6/2019 Lefkowitz D7/506
D881,651 S * 4/2020 Hirschhorn D7/598
D889,893 S * 7/2020 Godinger D7/301
D905,514 S * 12/2020 Sanders D7/701
D908,434 S * 1/2021 Murali D7/552.1
D914,425 S * 3/2021 Singh D7/301

OTHER PUBLICATIONS

https://www.amazon.com/Gun-Large-Decanter-Bullet-Glasses/dp/B07L44Q368/ref=sr_1_1?dchild=1&keywords=gun+shaped+bottle&qid=1623637816&s=home-garden&sr=1-1 (Year: 2018).
https://www.amazon.com/Pistol-Whiskey-Decanter-glasses-Bourbon/dp/B08HMRK42M/ref=dp_fod_2?pd_rd_i=B08HMRK42M&psc=1 (Year: 2020).*

* cited by examiner

Primary Examiner — Jae Liang

(57) **CLAIM**

The ornamental design for a gun shaped decanter with rectangle base, as shown and described.

DESCRIPTION

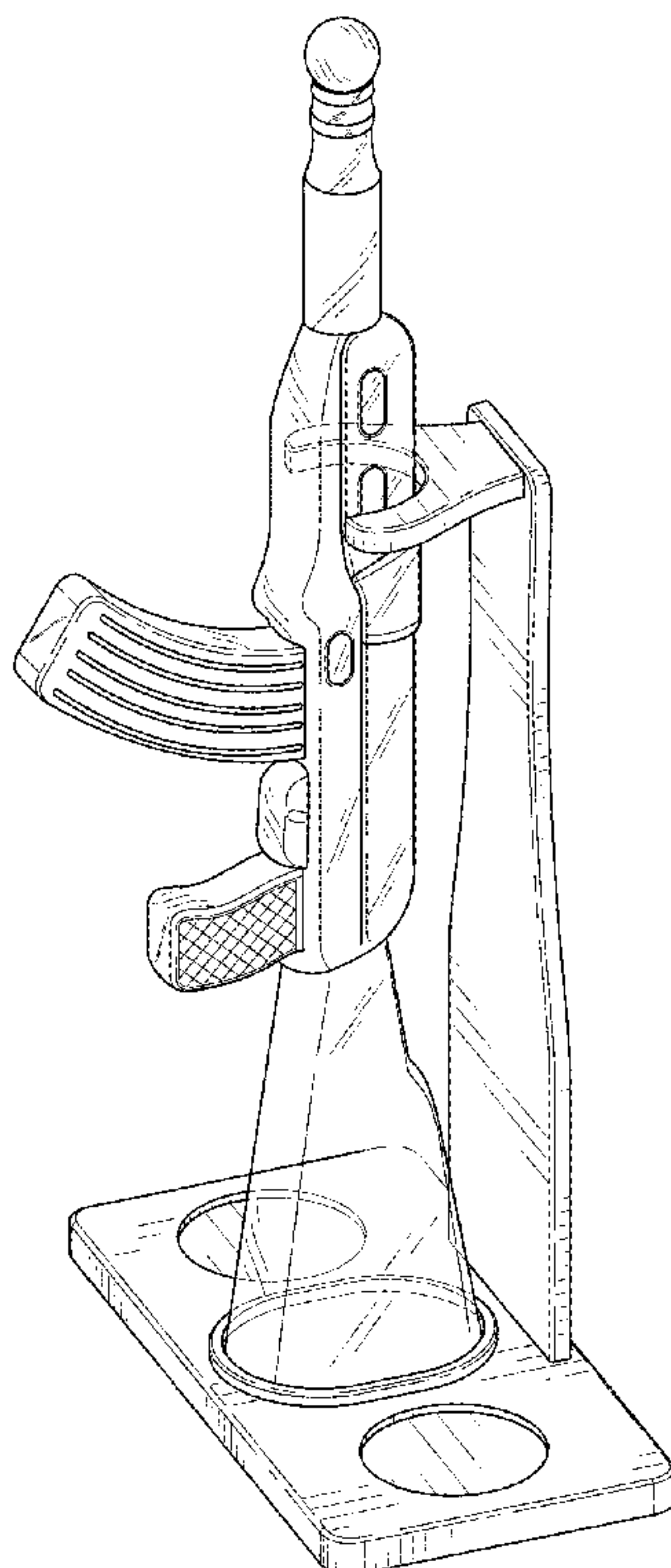
FIG. 1 is a top, right perspective view of a gun shaped decanter with rectangle base showing my new design;
FIG. 2 is a front view thereof;
FIG. 3 is a back view thereof;
FIG. 4 is a left side view thereof;
FIG. 5 is a right side view thereof;
FIG. 6 is a top view thereof; and,
FIG. 7 is a bottom view thereof.

1 Claim, 7 Drawing Sheets

(56) **References Cited**

U.S. PATENT DOCUMENTS

D283,287 S * 4/1986 Bosteels D11/154
D710,210 S * 8/2014 Tussy D9/680
D713,682 S * 9/2014 Morse D7/397
D824,263 S * 7/2018 Hirschhorn D9/544



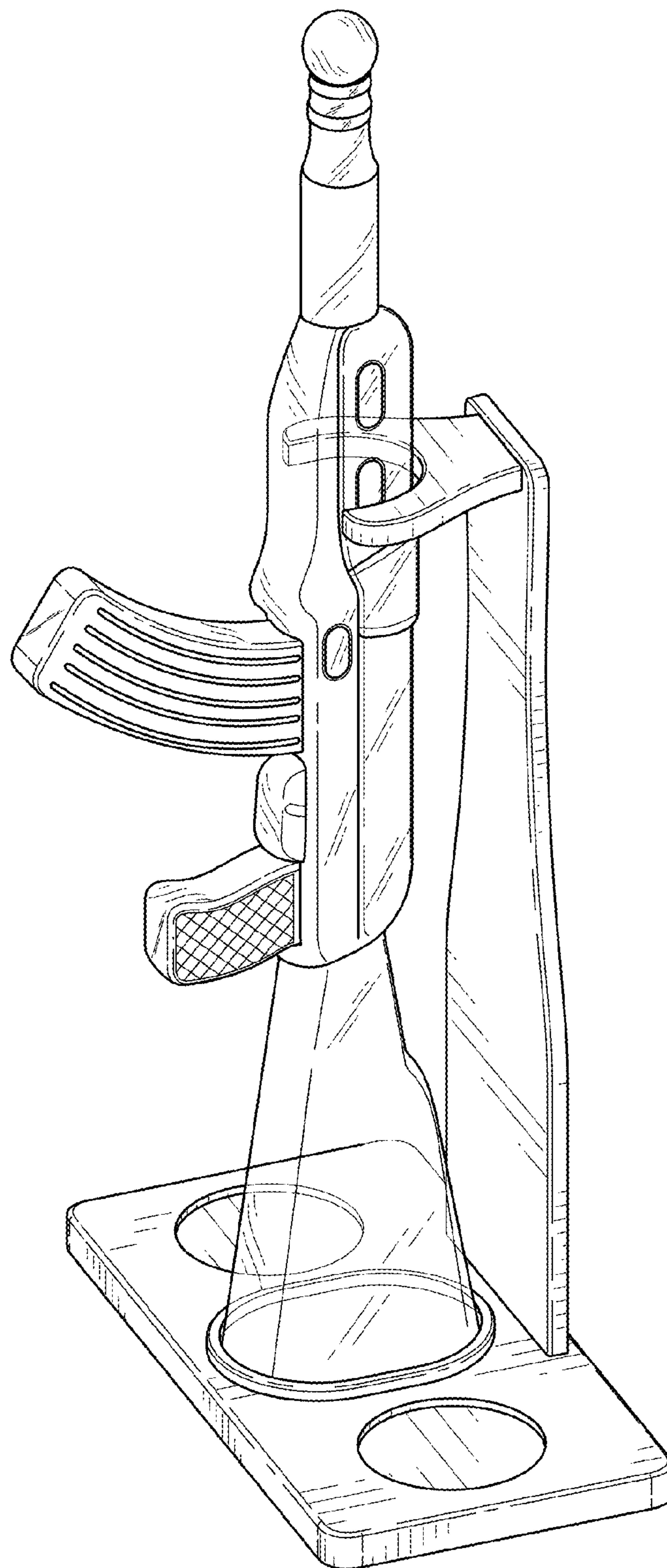


FIG. 1

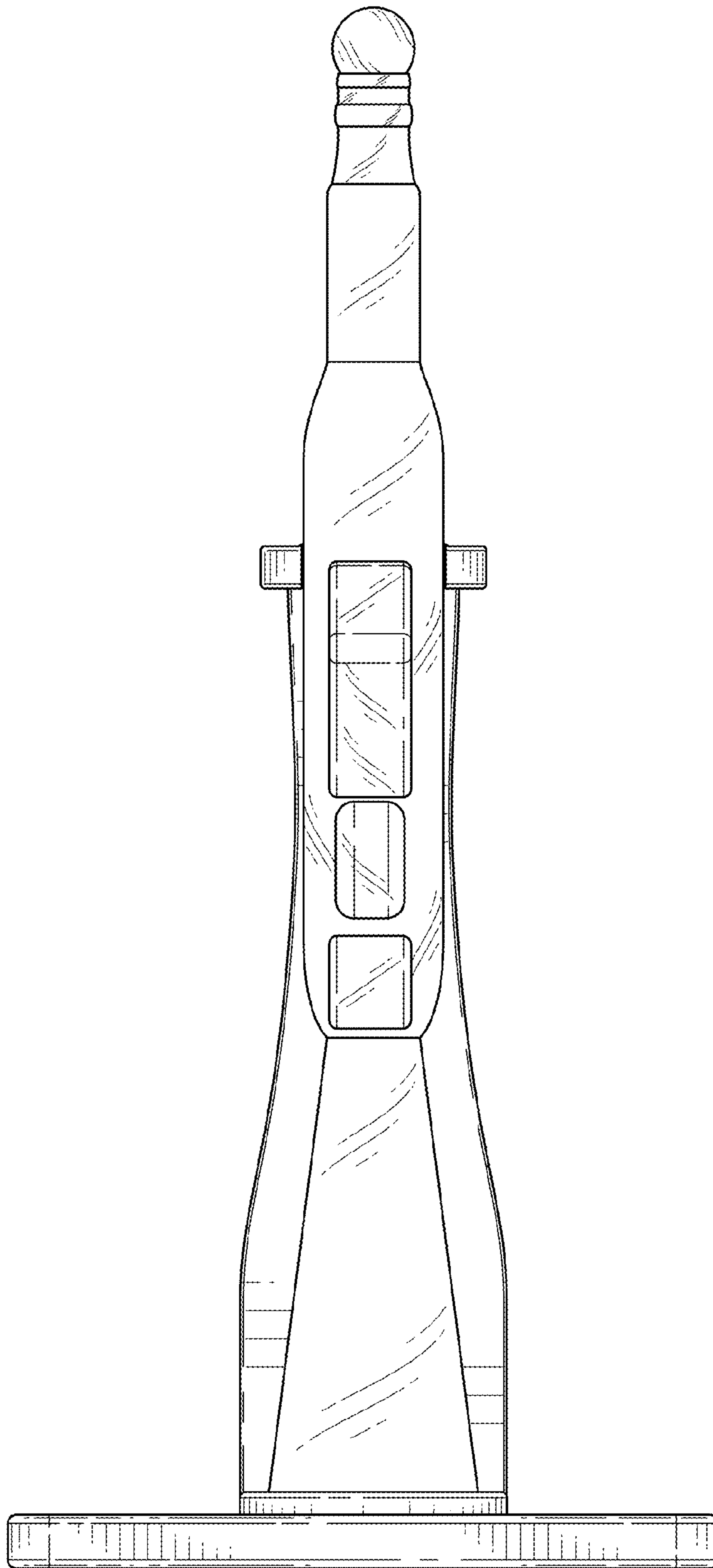


FIG. 2

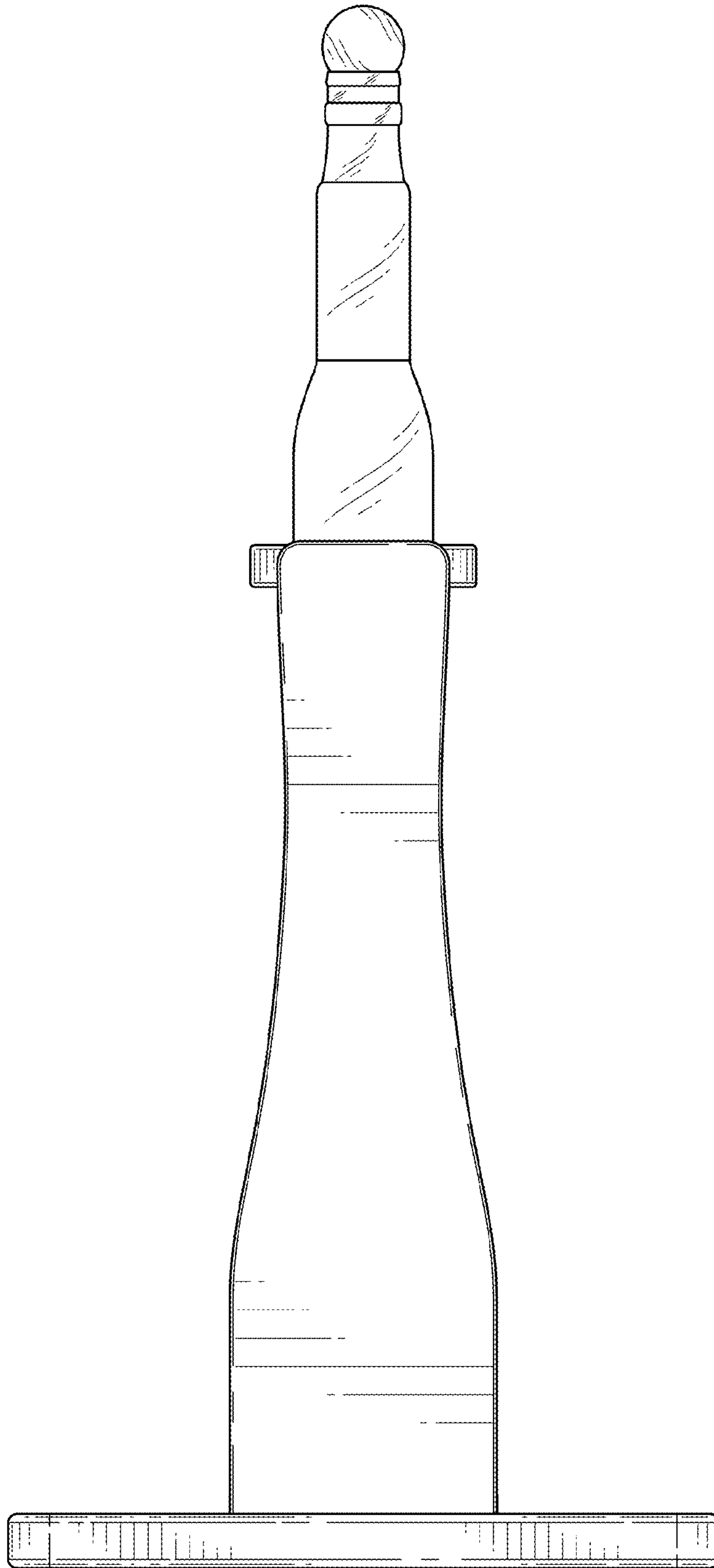


FIG. 3

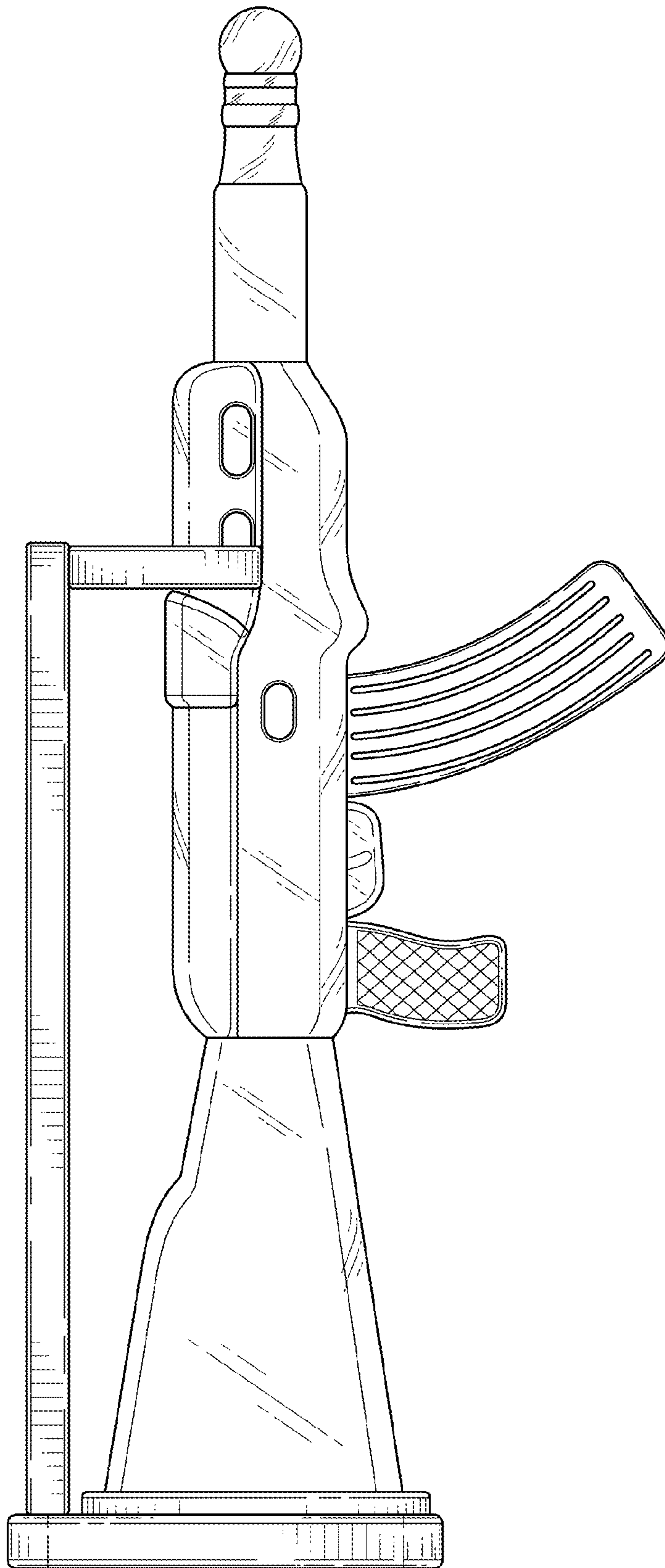


FIG. 4

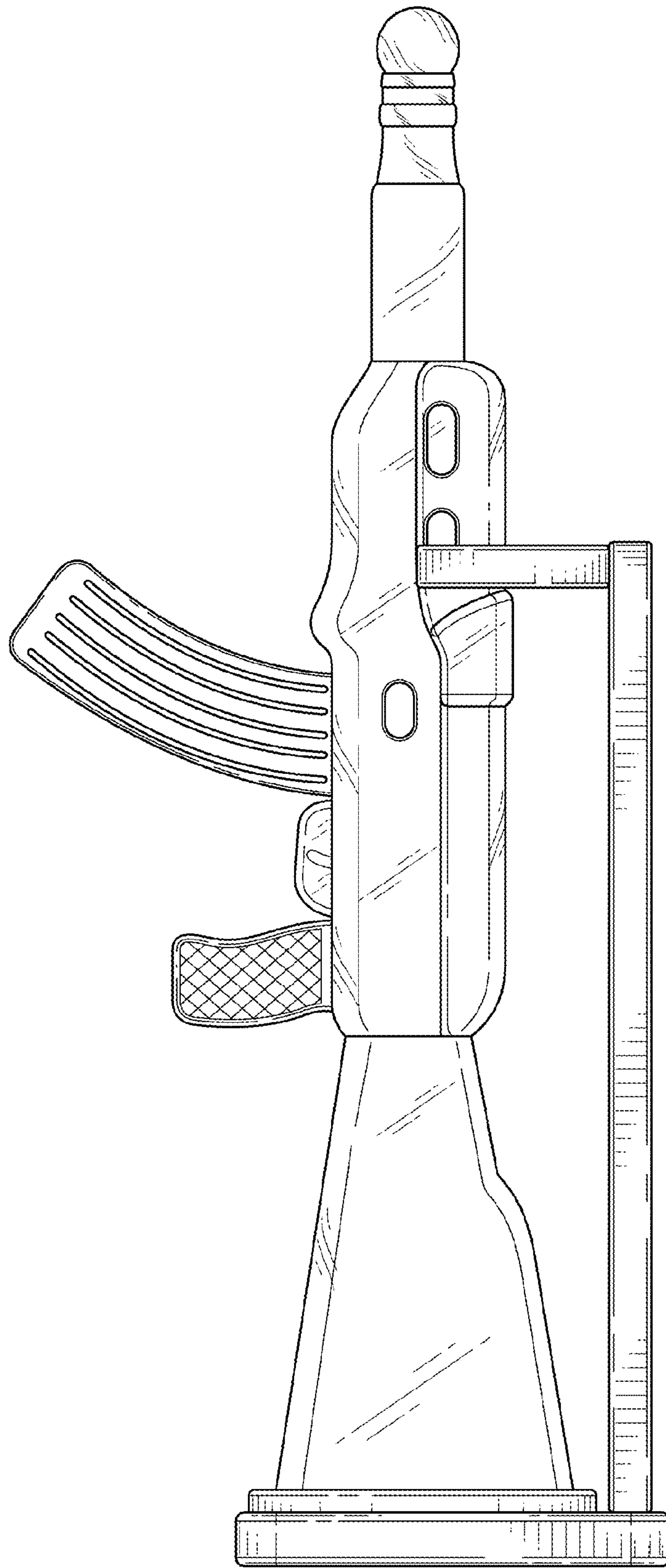


FIG. 5

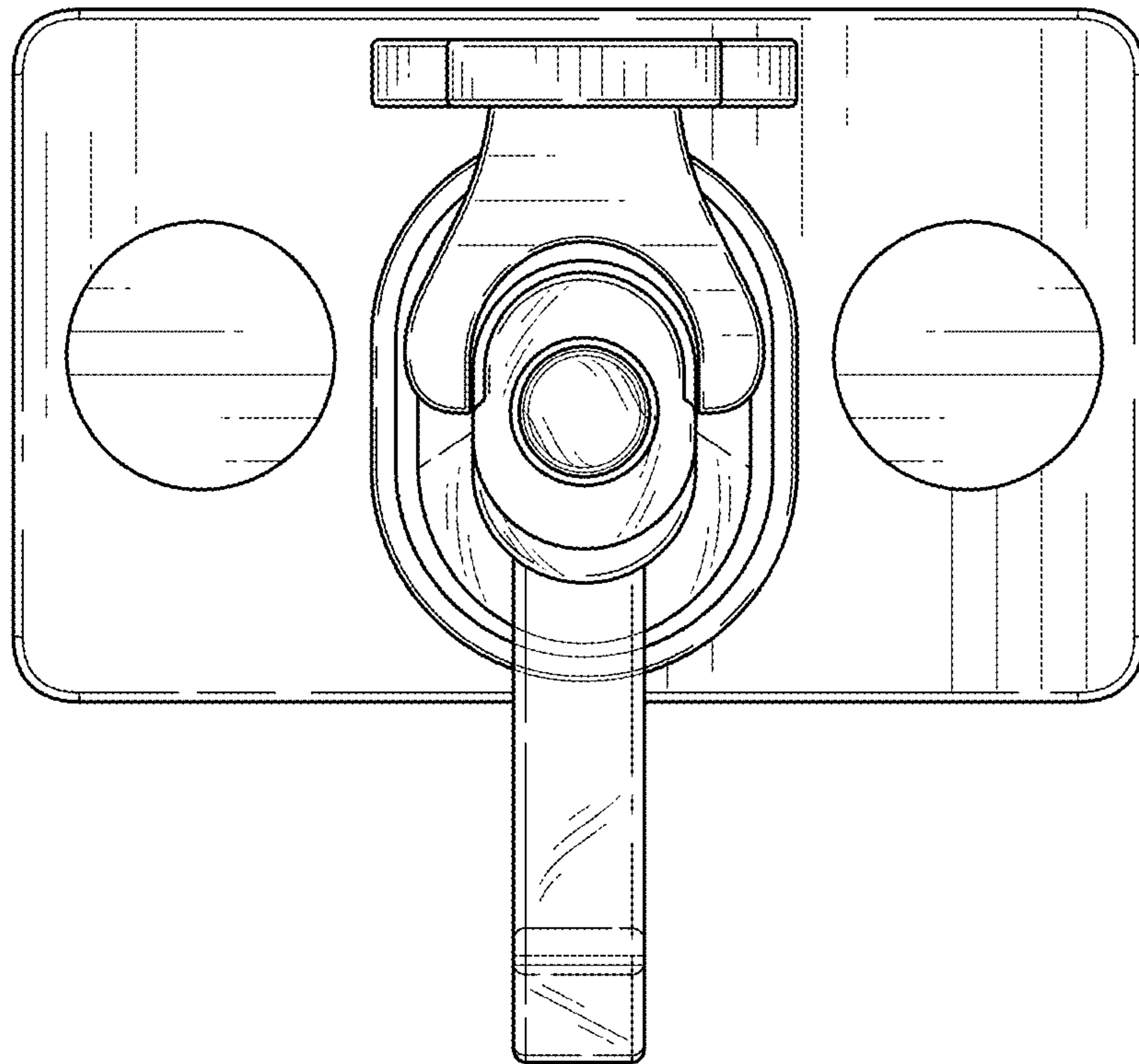


FIG. 6

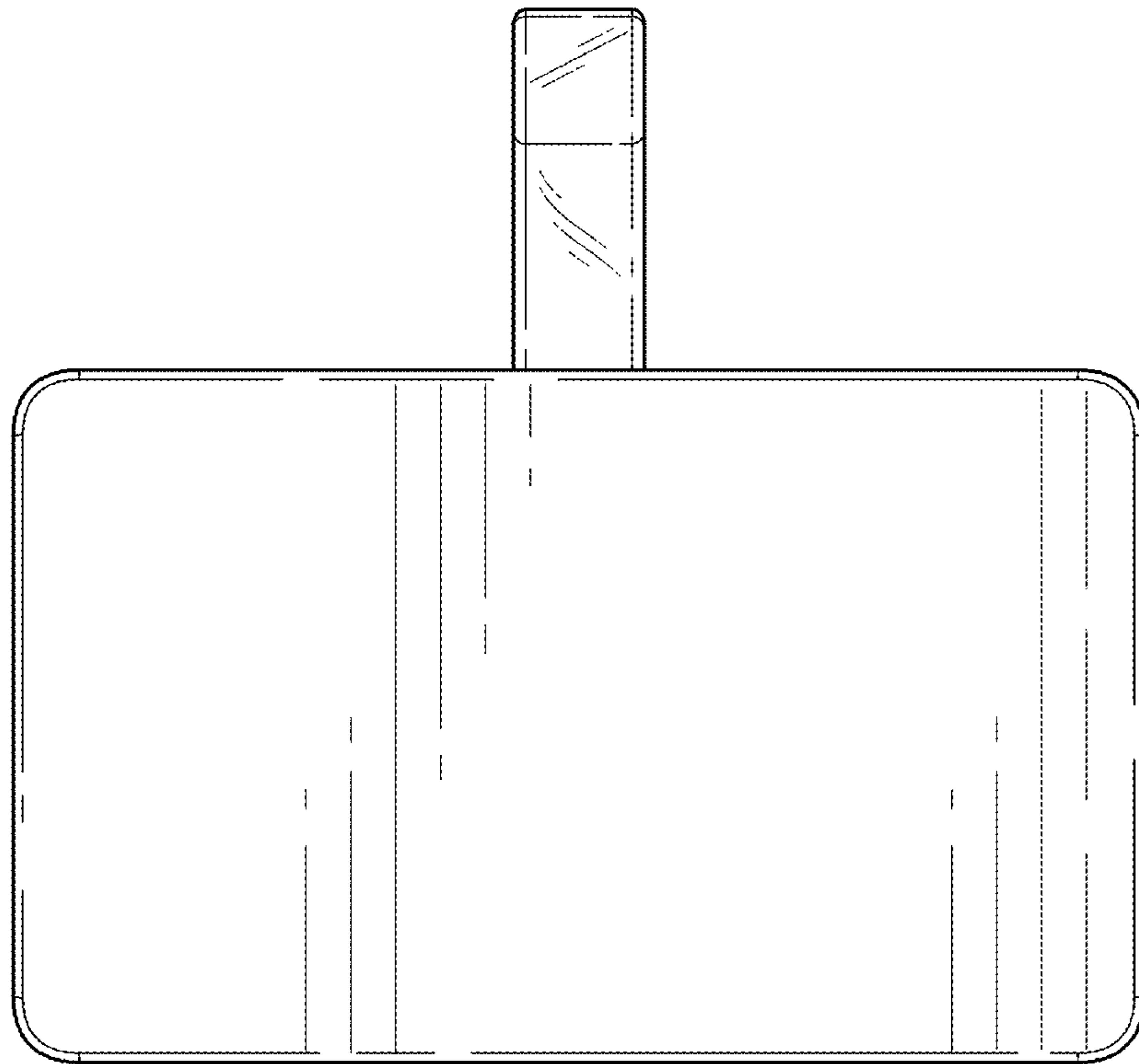


FIG. 7