



US00D934017S

(12) **United States Design Patent** (10) **Patent No.:** **US D934,017 S**  
**Burrows** (45) **Date of Patent:** **\*\* Oct. 26, 2021**

- (54) **COFFEE MACHINE**
- (71) Applicant: **Bruce D. Burrows**, Santa Clarita, CA (US)
- (72) Inventor: **Bruce D. Burrows**, Santa Clarita, CA (US)
- (\*\*) Term: **15 Years**
- (21) Appl. No.: **29/707,045**
- (22) Filed: **Sep. 25, 2019**
- (51) **LOC (13) Cl.** ..... **07-02**
- (52) **U.S. Cl.**  
USPC ..... **D7/300**
- (58) **Field of Classification Search**  
USPC ..... D7/300, 300.1, 301, 304-322, 372-373, D7/386, 387, 397-401, 412, 414, D7/509-511, 538, 589-590, 598, D7/601-602, 605, 608, 629; D3/202; D20/4-5; D23/201; D24/197, 216, D24/219-220, 224; 99/275; 222/129.1  
CPC .... A47J 31/00-605; A47J 42/00; A47J 42/02; A47J 42/04; A47J 42/06; A47J 42/08; A47J 42/10; A47J 42/12; A47J 42/14; A47J 42/16; A47J 42/18; A47J 42/20  
See application file for complete search history.

- 2005/0238341 A1\* 10/2005 Thaler ..... A47J 31/40 392/441
- 2016/0095463 A1\* 4/2016 Mazzer ..... B30B 11/04 100/266
- 2020/0060463 A1\* 2/2020 Gardiner ..... A47J 31/38
- 2020/0093315 A1\* 3/2020 Burrows ..... A47J 31/06

**OTHER PUBLICATIONS**

Bunn Trifecta Automatic Single-Cup Brewer, Prima Coffee Equipment, [online], [site visited Jul. 9, 2021], Available from internet URL: <https://prima-coffee.com/equipment/bunn/41200-0000> (Year: 2021).\*

\* cited by examiner

*Primary Examiner* — Mary Ann Calabrese  
*Assistant Examiner* — Natalya M Rapundalo  
(74) *Attorney, Agent, or Firm* — Lewis Anten

(57) **CLAIM**

The ornamental design for a coffee machine, as shown and described.

**DESCRIPTION**

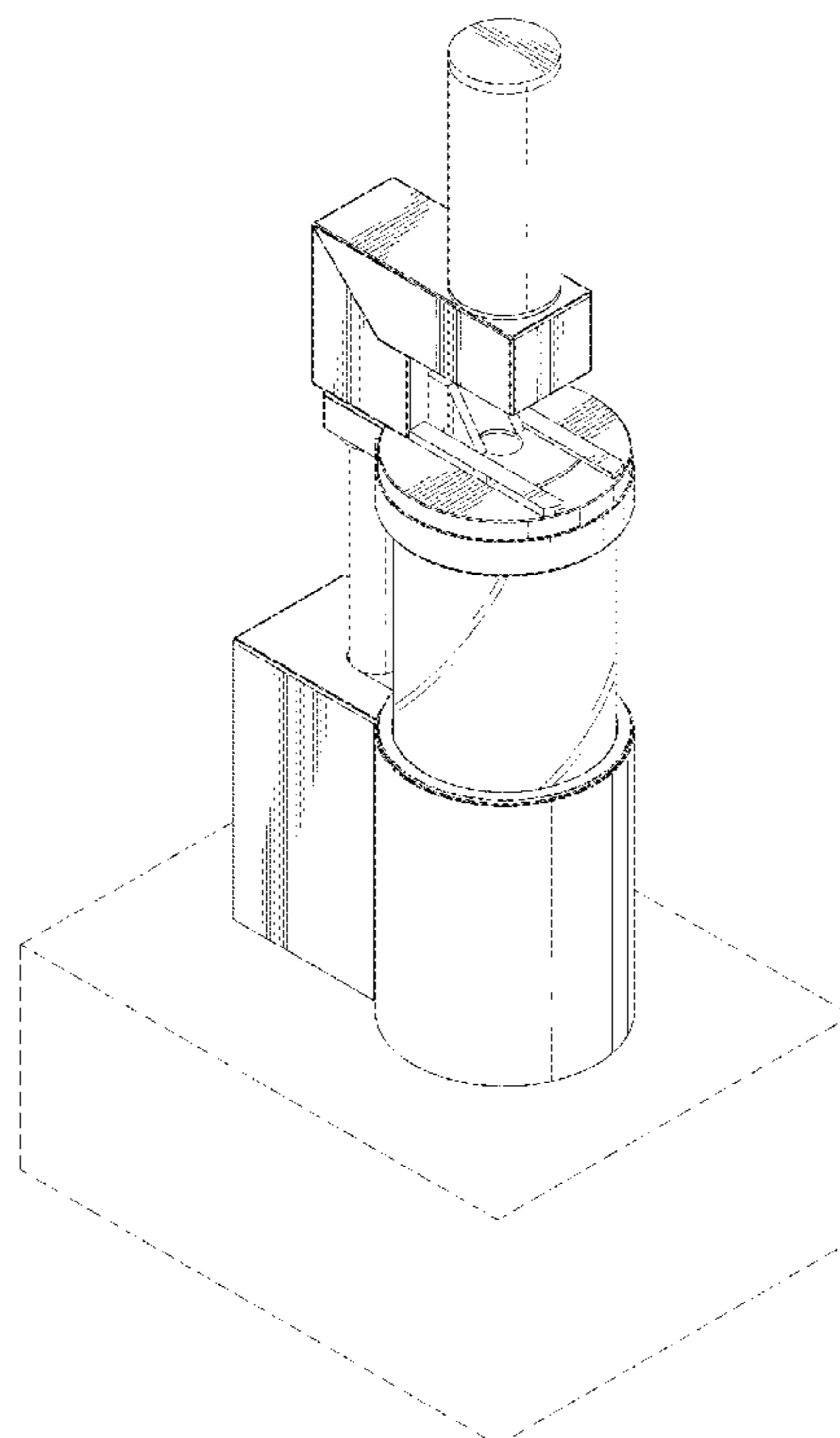
FIG. 1 is a top left perspective view showing my new design. FIG. 2 is a front view showing my new design; FIG. 3 is a rear view showing my new design. FIG. 4 is a left side view showing my new design. FIG. 5 is a right, side view showing my new design; FIG. 6 is a top view showing my new design; and, FIG. 7 is a bottom view showing my new design. The broken lines show the counter supporting the coffee machine and from no part of the claimed design.

**1 Claim, 6 Drawing Sheets**

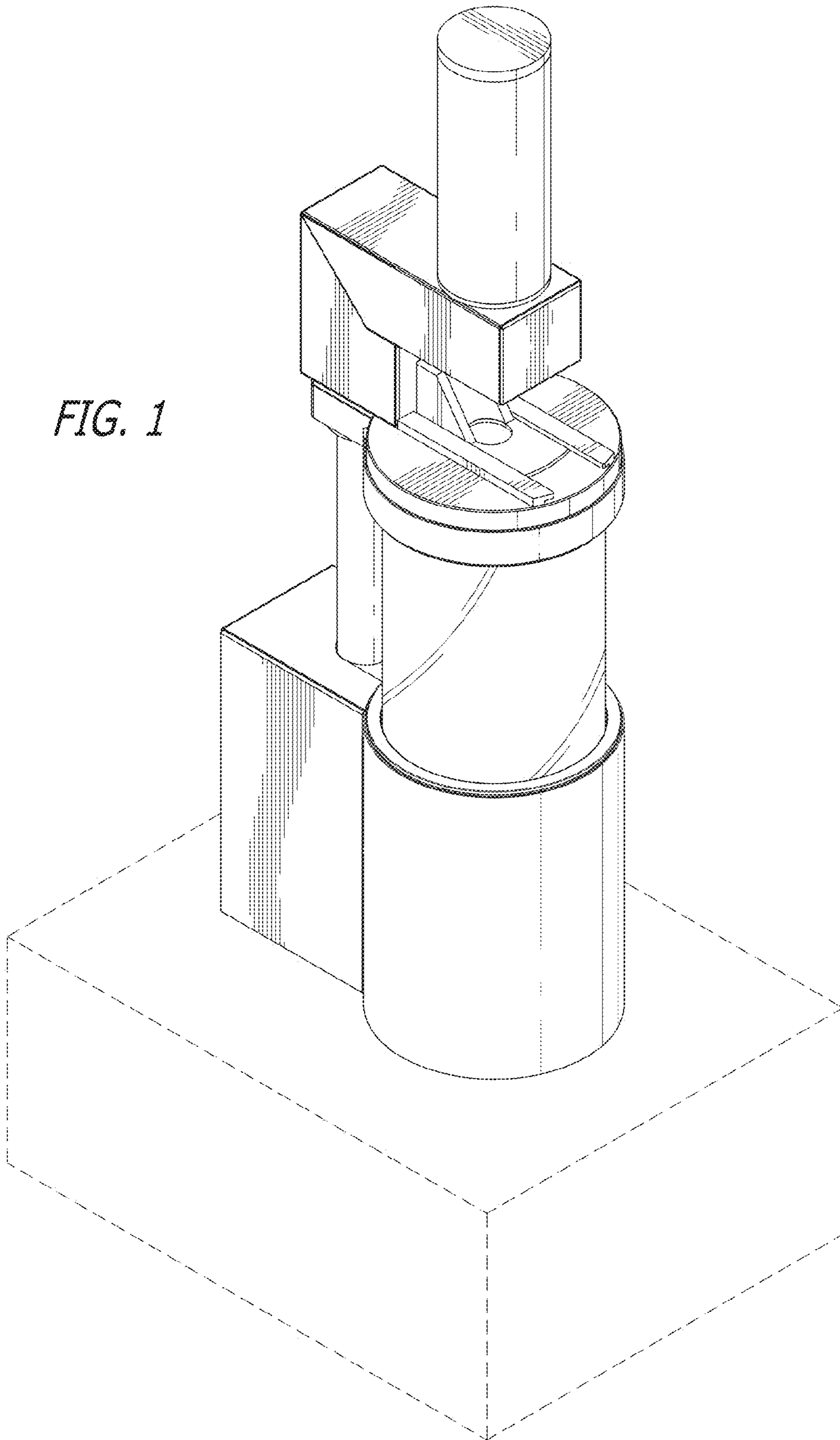
(56) **References Cited**

**U.S. PATENT DOCUMENTS**

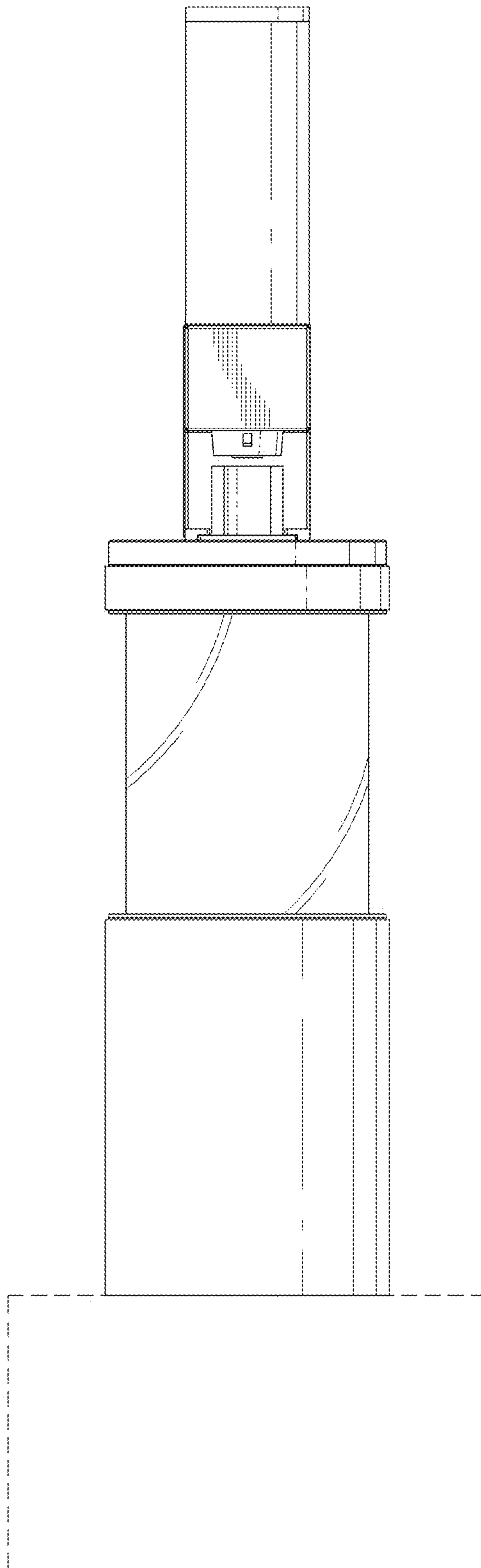
- 2,927,522 A \* 3/1960 Rockwood ..... A47J 31/002 99/290
- D382,762 S \* 8/1997 Felip ..... D7/309



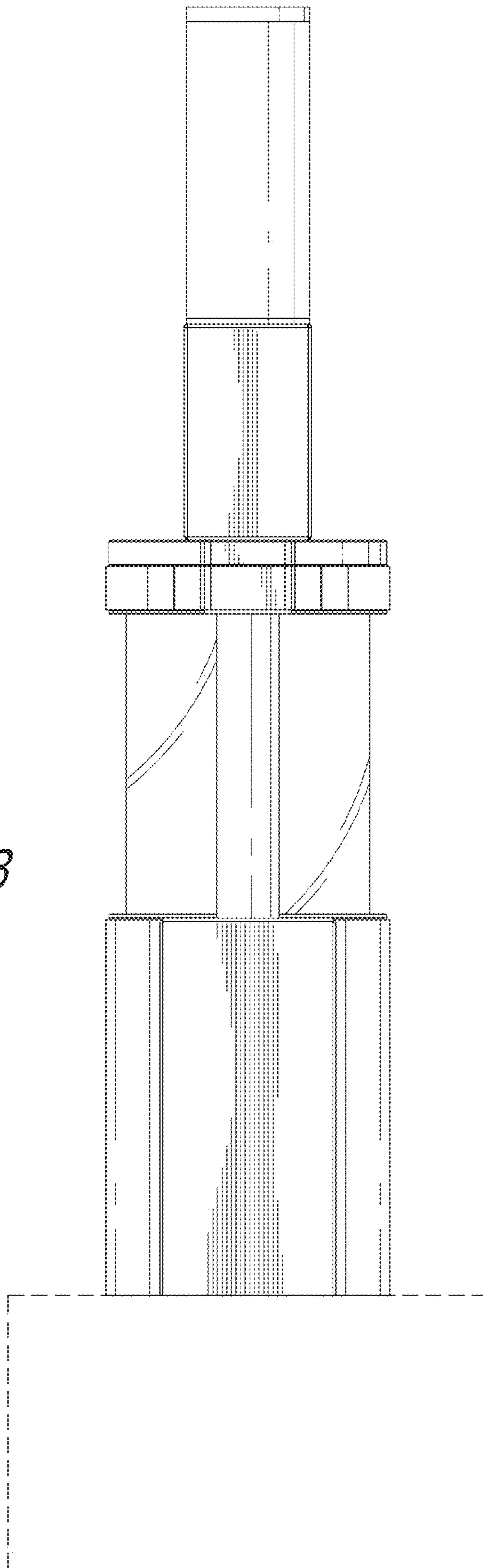
*FIG. 1*



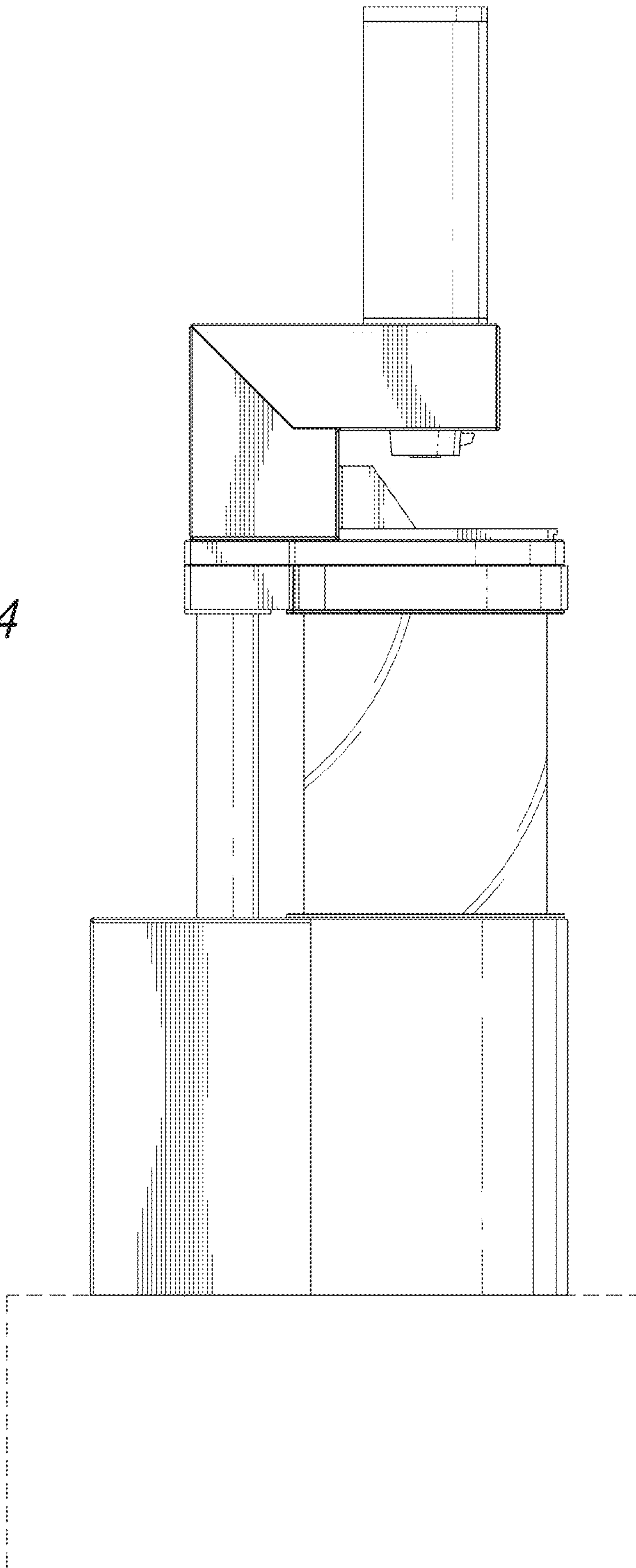
*FIG. 2*



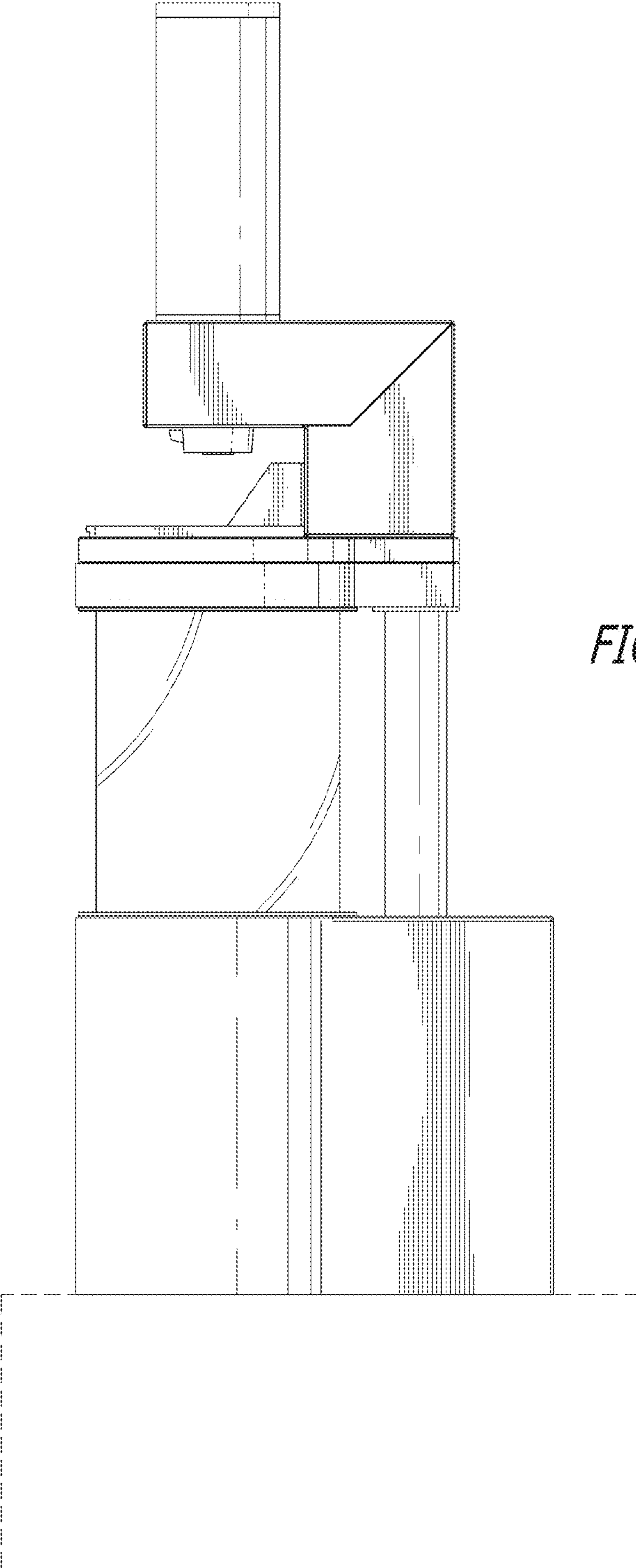
*FIG. 3*



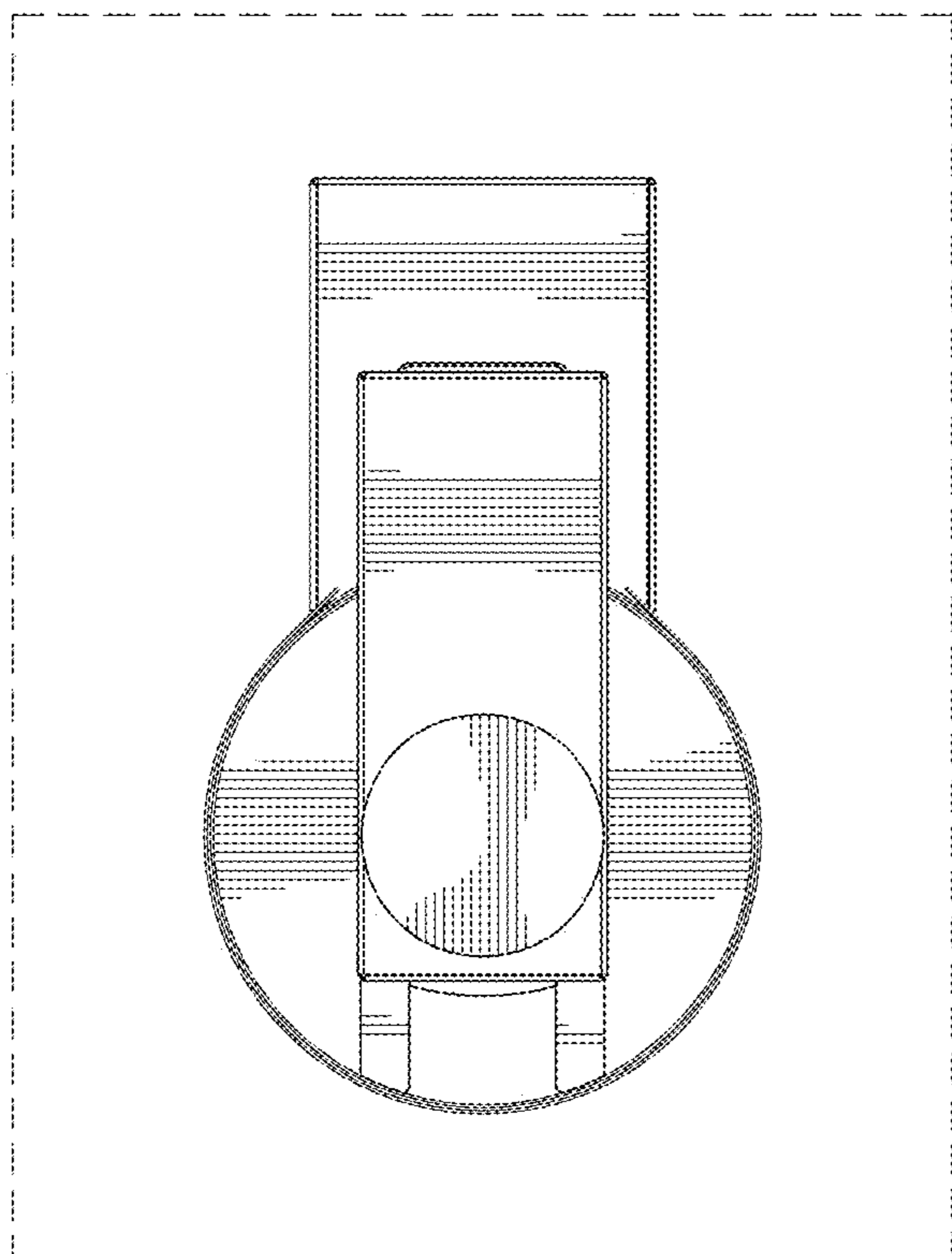
*FIG. 4*



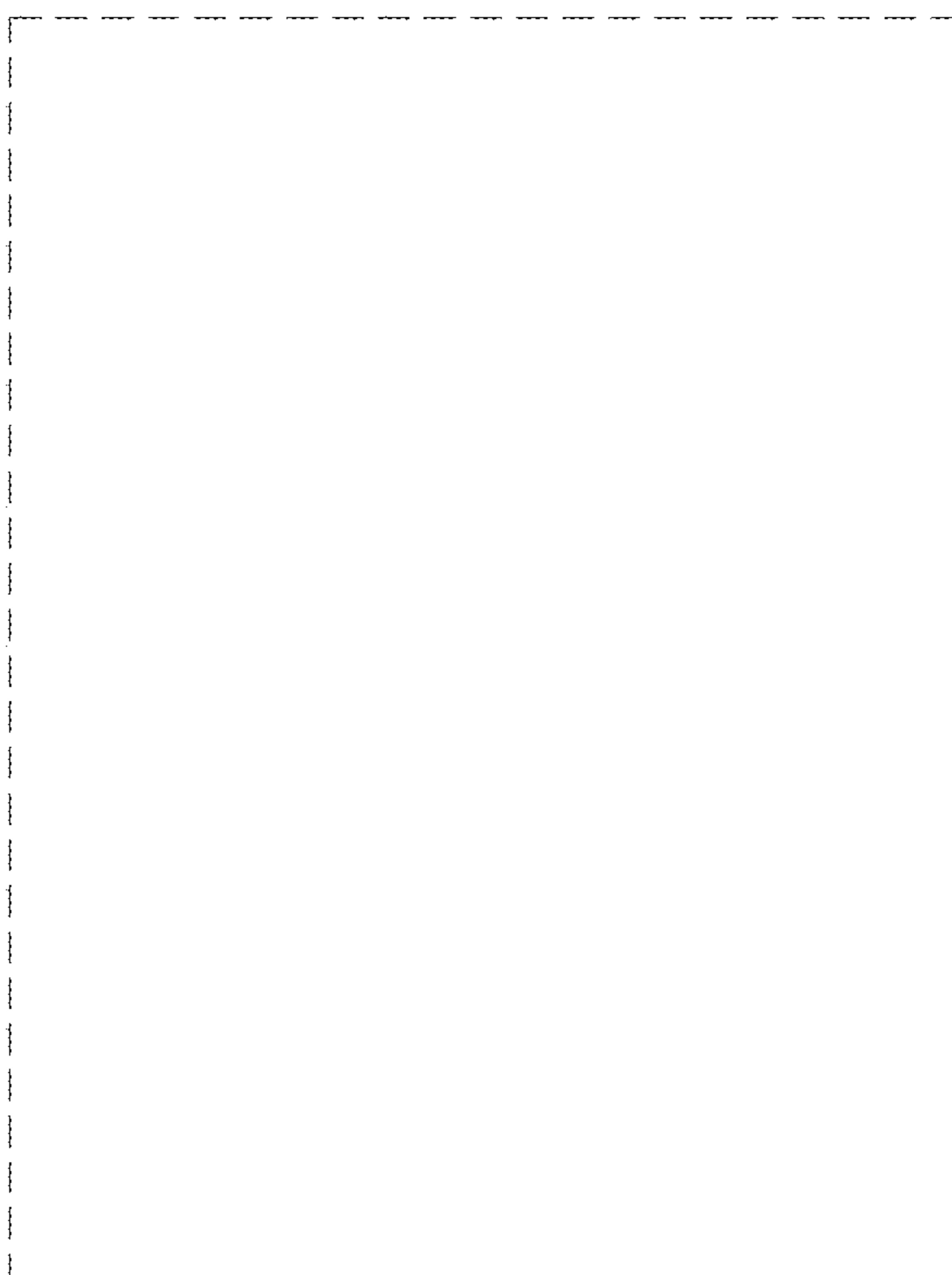




*FIG. 5*



*FIG. 6*



*FIG. 7*