



US00D934016S

(12) **United States Design Patent** (10) **Patent No.:** **US D934,016 S**
Hsu Besner et al. (45) **Date of Patent:** **** Oct. 26, 2021**

(54) **CHAIR**
(71) Applicant: **Sunflow, Inc.**, Short Hills, NJ (US)
(72) Inventors: **Leslie Hsu Besner**, Short Hills, NJ (US); **Yves Behar**, Oakland, CA (US); **Qin Li**, San Francisco, CA (US); **Brandon Heiman**, Portland, OR (US); **Bradley Feild Craddock**, San Francisco, CA (US); **Matthew Pempkowski**, Port Murray, NJ (US)

D804,880 S * 12/2017 Oliphant D6/716.4
D825,209 S 8/2018 Garrison
D844,338 S * 4/2019 Franks D6/368
D849,437 S * 5/2019 Yang D6/368
D850,135 S * 6/2019 Yang D6/368
10,463,157 B1 * 11/2019 Liniado A47C 4/28
(Continued)

(73) Assignee: **Sunflow, Inc.**, Short Hills, NJ (US)
(**) Term: **15 Years**

FOREIGN PATENT DOCUMENTS

WO WO-2020247512 A1 * 12/2020 A47C 4/30

(21) Appl. No.: **29/705,705**
(22) Filed: **Sep. 13, 2019**
(51) **LOC (13) Cl.** **06-01**
(52) **U.S. Cl.**
USPC **D6/716.4**; D6/368
(58) **Field of Classification Search**
USPC D6/334-336, 367, 368, 371, 373, 375,
D6/379, 380, 716, 716.1, 716.2, 716.3,
D6/716.4, 709, 709.2, 708.16
CPC A47C 4/22; A47C 4/28; A47C 4/30; A47C
4/38; A47C 4/40; A47C 4/42; A47C 4/44;
A47C 4/46; A47C 4/50; A47C 5/043;
A47C 5/06; A47C 5/10
See application file for complete search history.

OTHER PUBLICATIONS

[No Author Listed], Blue Marlin Deluxe Backpack Beach Chair. Tommy Bahama. <https://www.tommybahama.com/en/Blue-Marlin-Deluxe-Backpack-Beach-Chair/p/TH34047-220> Publicly available at least as early as Sep. 4, 2019, 4 pages.
(Continued)

(56) **References Cited**
U.S. PATENT DOCUMENTS

6,056,172 A 5/2000 Welsh
D571,113 S 6/2008 Cohen
D571,115 S 6/2008 Cohen
D651,010 S 12/2011 Cohen
8,197,000 B1 6/2012 Cohen
D711,146 S 8/2014 Cohen
D711,147 S 8/2014 Cohen
D718,067 S 11/2014 Cohen

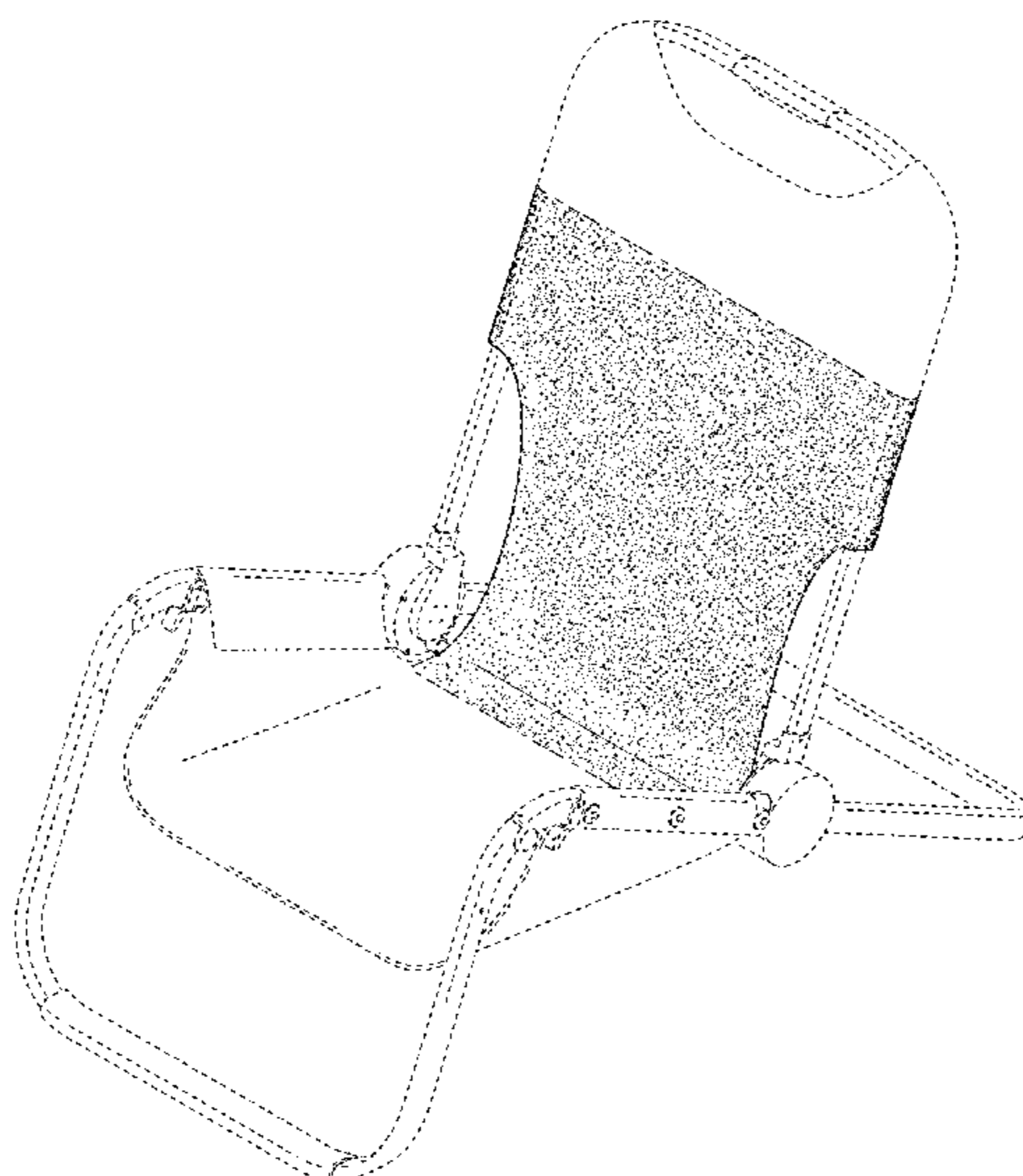
Primary Examiner — Mimosa De
(74) *Attorney, Agent, or Firm* — Wolf, Greenfield & Sacks, P.C.

(57) **CLAIM**
The ornamental design for a chair, as shown and described.

DESCRIPTION

FIG. 1 is a top, front, right side perspective view of a chair according to our new design;
FIG. 2 is a rear elevation view thereof;
FIG. 3 is a left side elevation view thereof;
FIG. 4 is a front elevation view thereof;
FIG. 5 is a right side elevation view thereof;
FIG. 6 is a top plan view thereof; and,
FIG. 7 is a bottom plan view thereof.
The dash-dash broken lines illustrate portions of the chair that form no part of the claimed design. The dot-dash broken lines represent boundaries of the claimed design and form no part of the claimed design.

1 Claim, 4 Drawing Sheets



(56)

References Cited

U.S. PATENT DOCUMENTS

10,631,651 B1 * 4/2020 Hsu Besner A47C 4/30
2007/0001502 A1 1/2007 Welsh et al.
2012/0286544 A1 11/2012 Cohen
2013/0257128 A1 10/2013 Grace
2018/0249837 A1 9/2018 Cohen

OTHER PUBLICATIONS

[No Author Listed] Waterside Products. GCI Outdoor, <https://gcioutdoor.com/waterside/>. Publicly available at least as early as Sep. 4, 2019. 1 page.

* cited by examiner

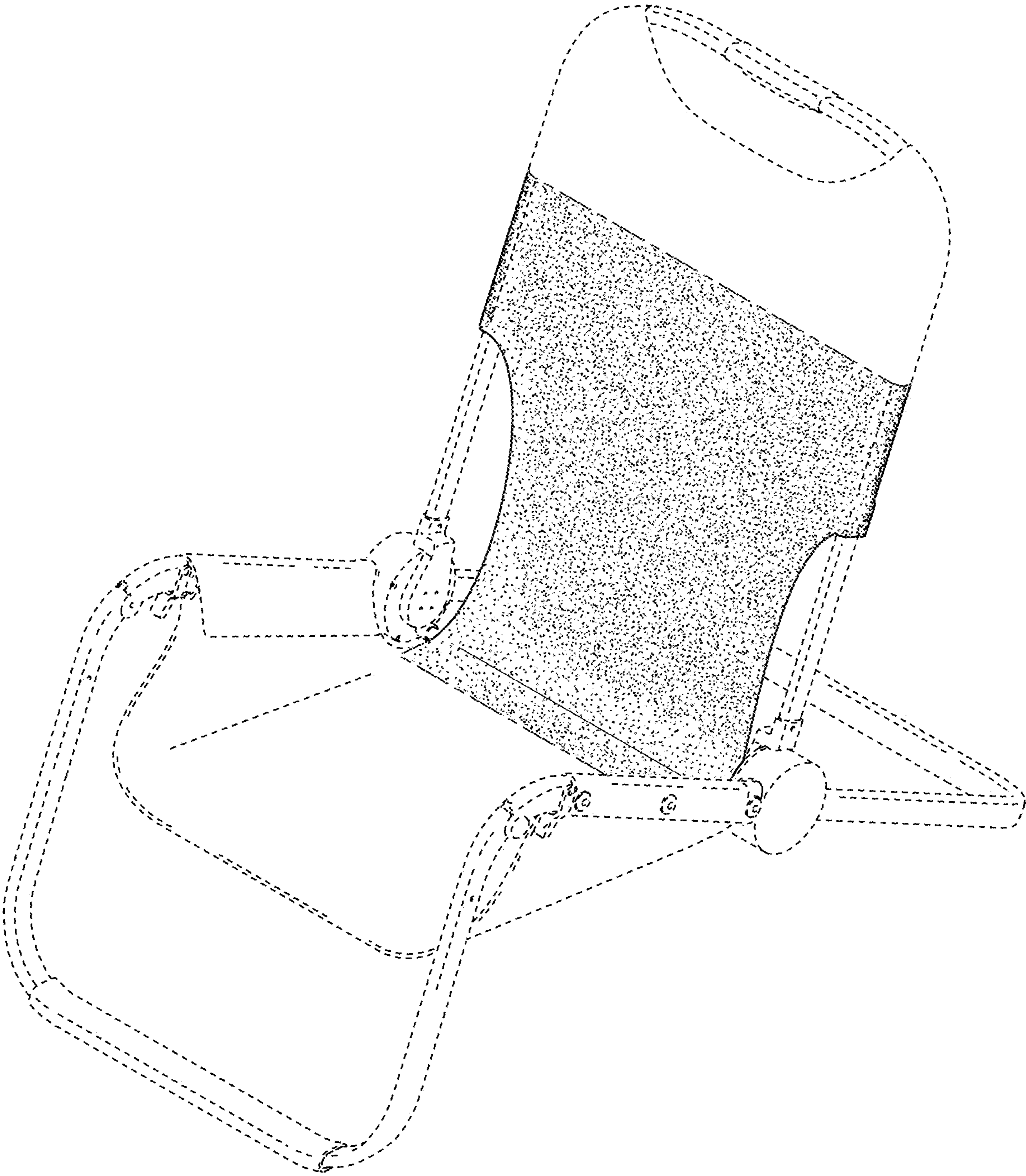


FIG. 1

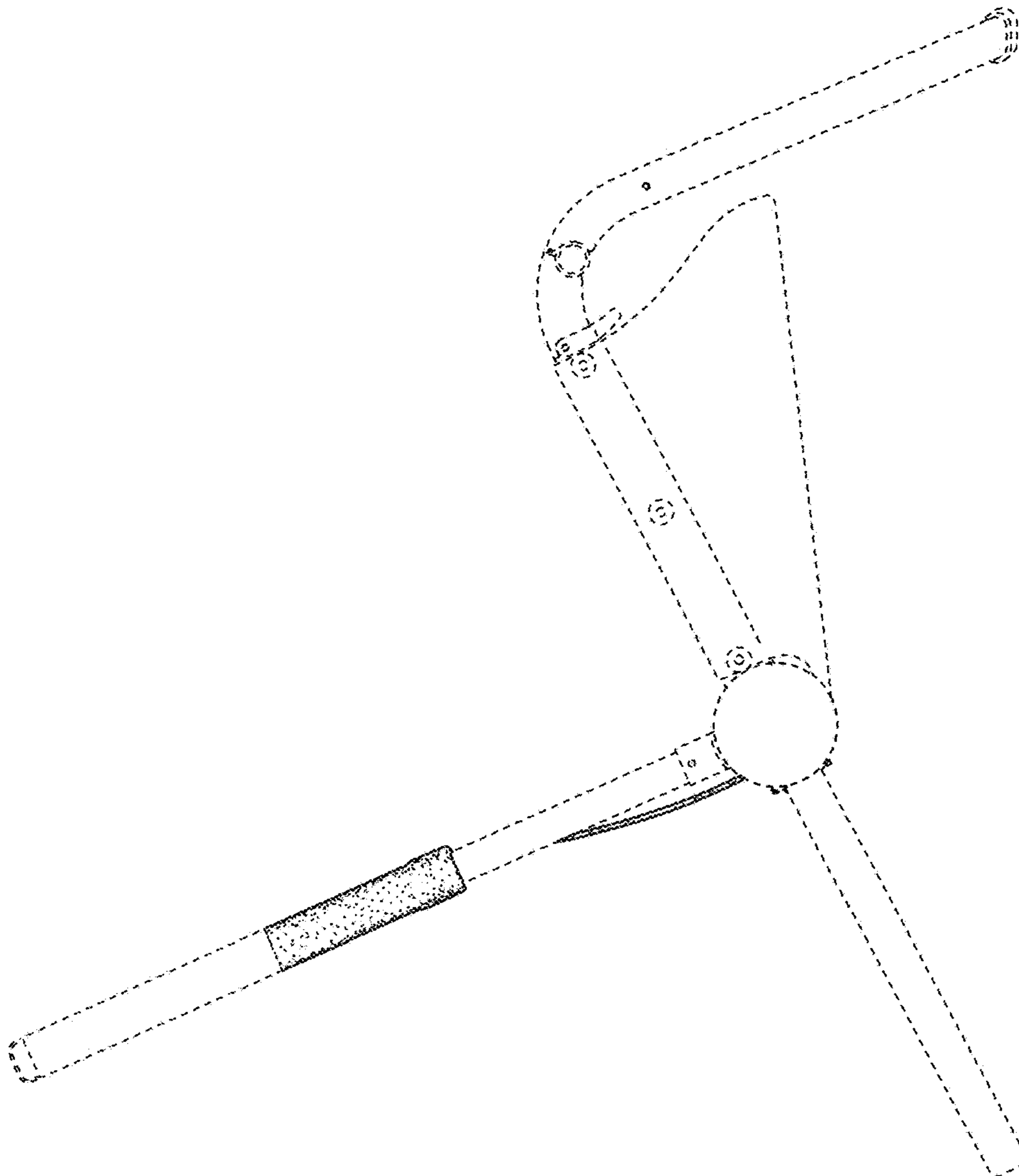


FIG. 3

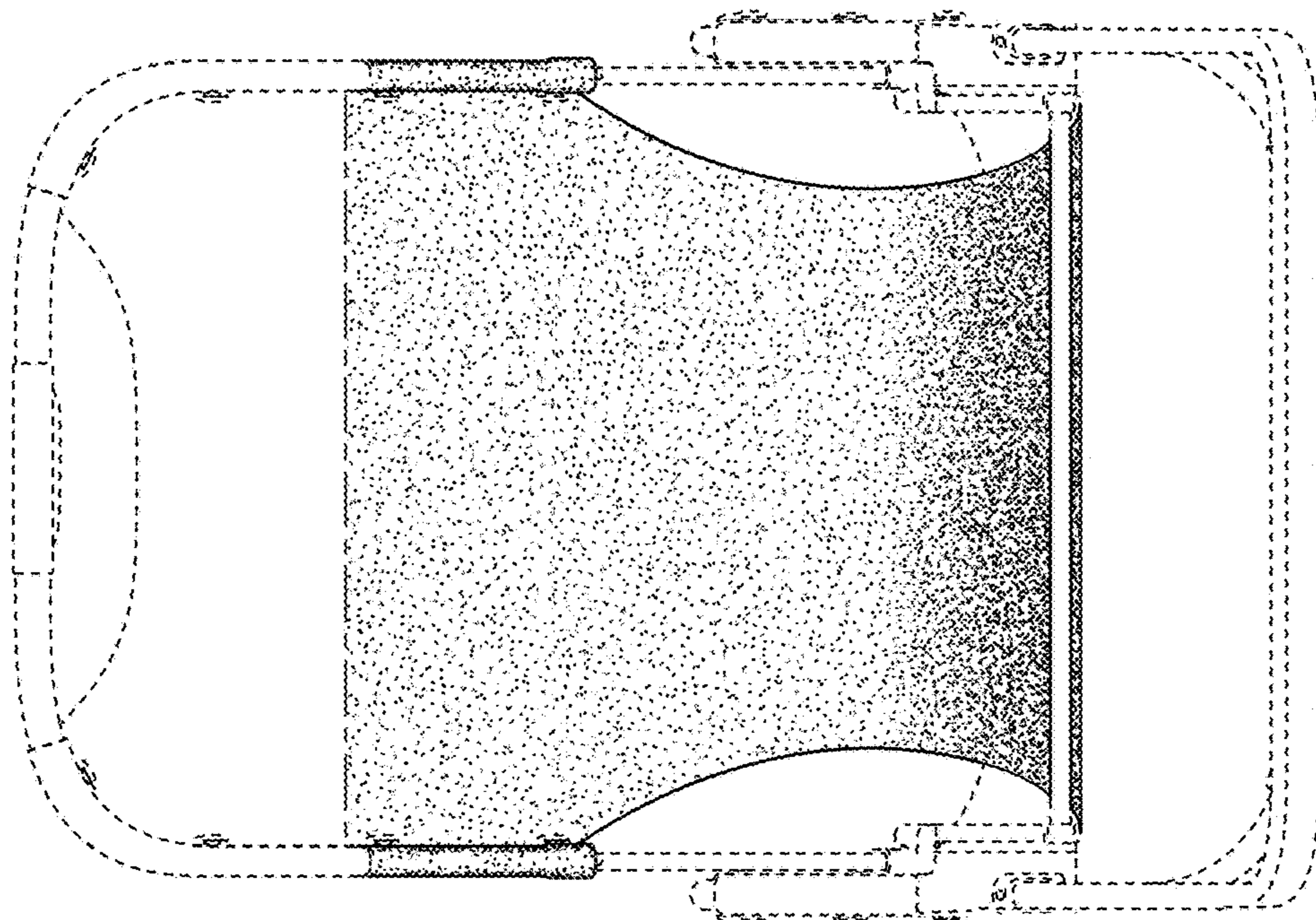


FIG. 2

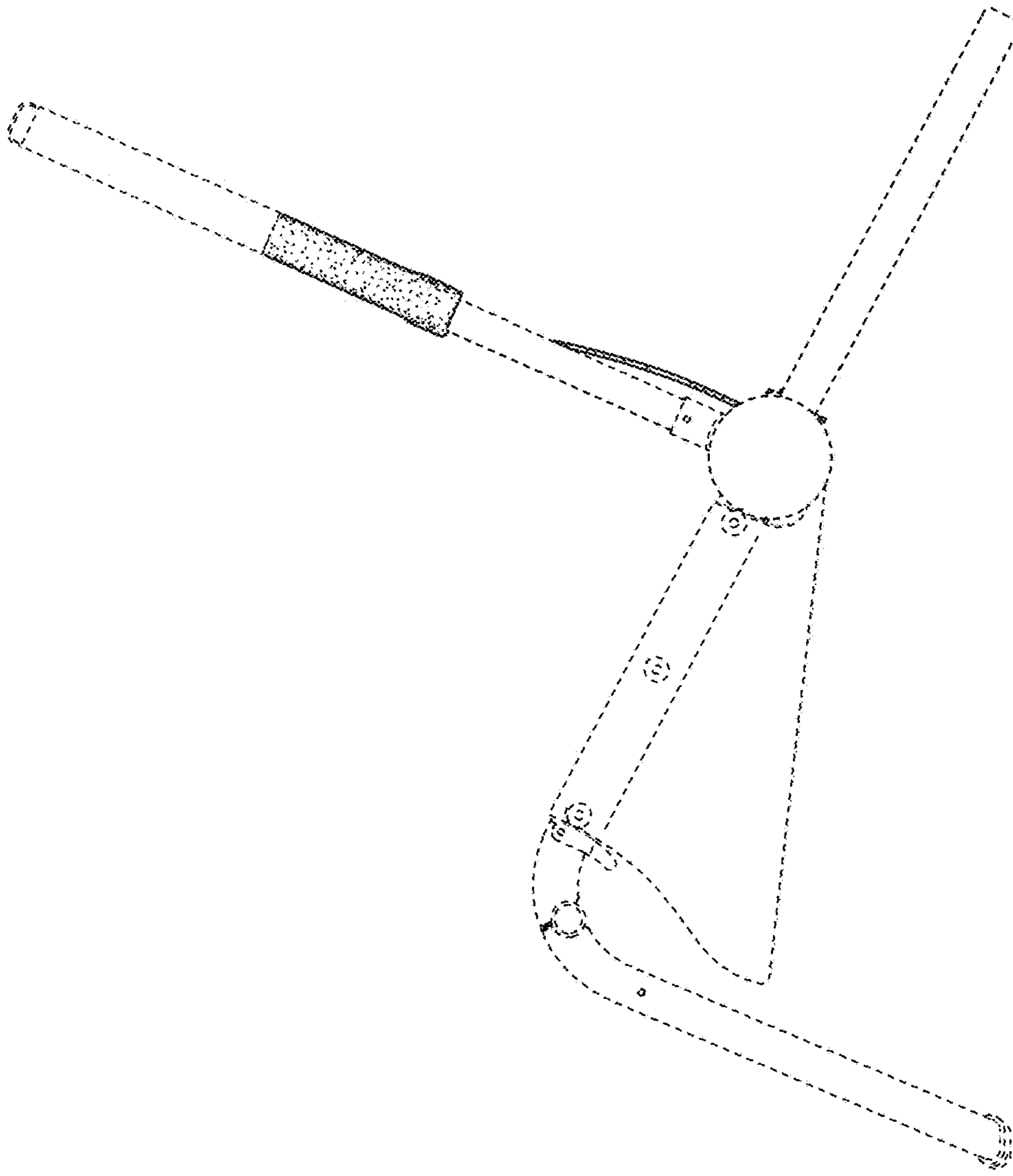


FIG. 5

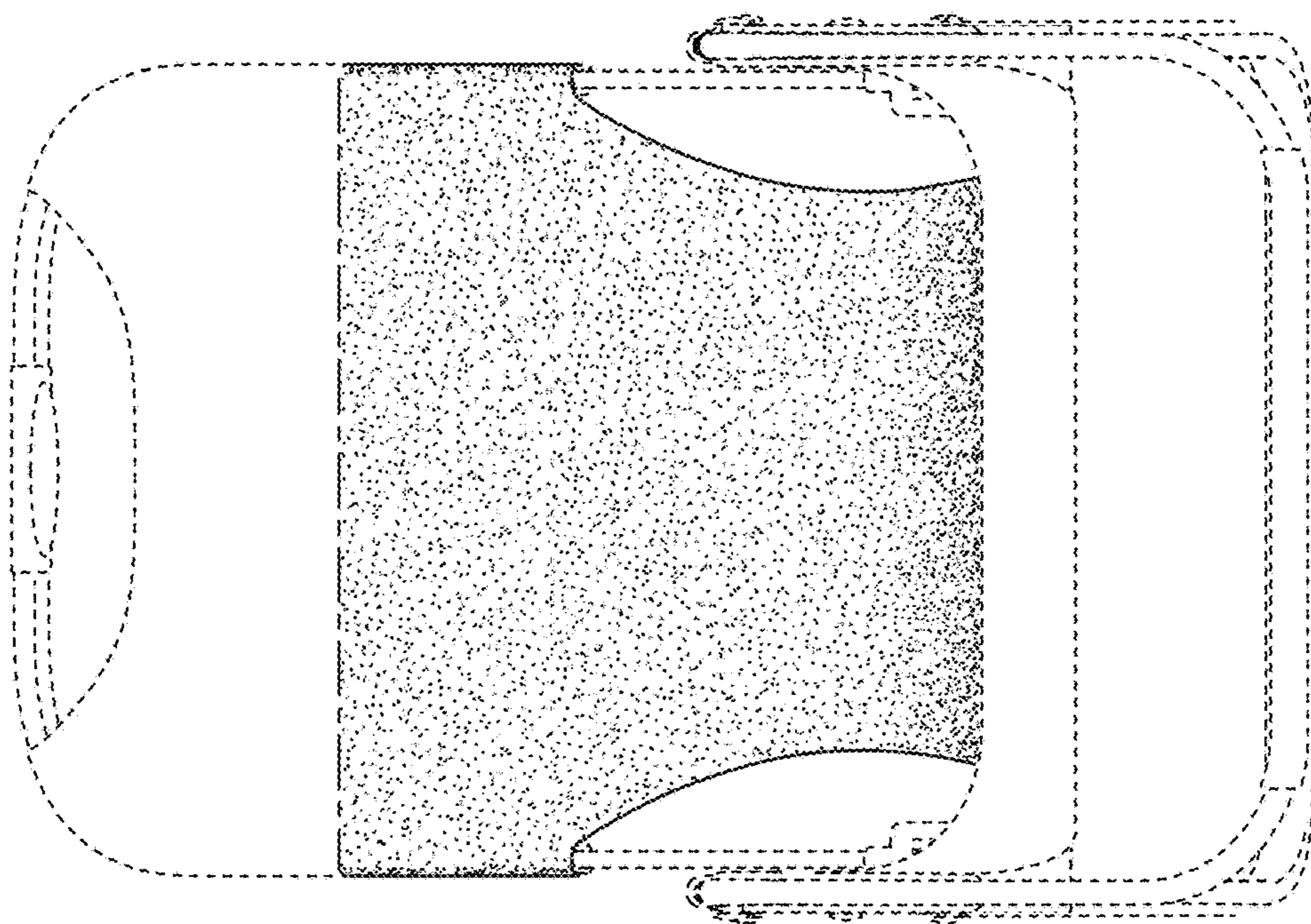


FIG. 4

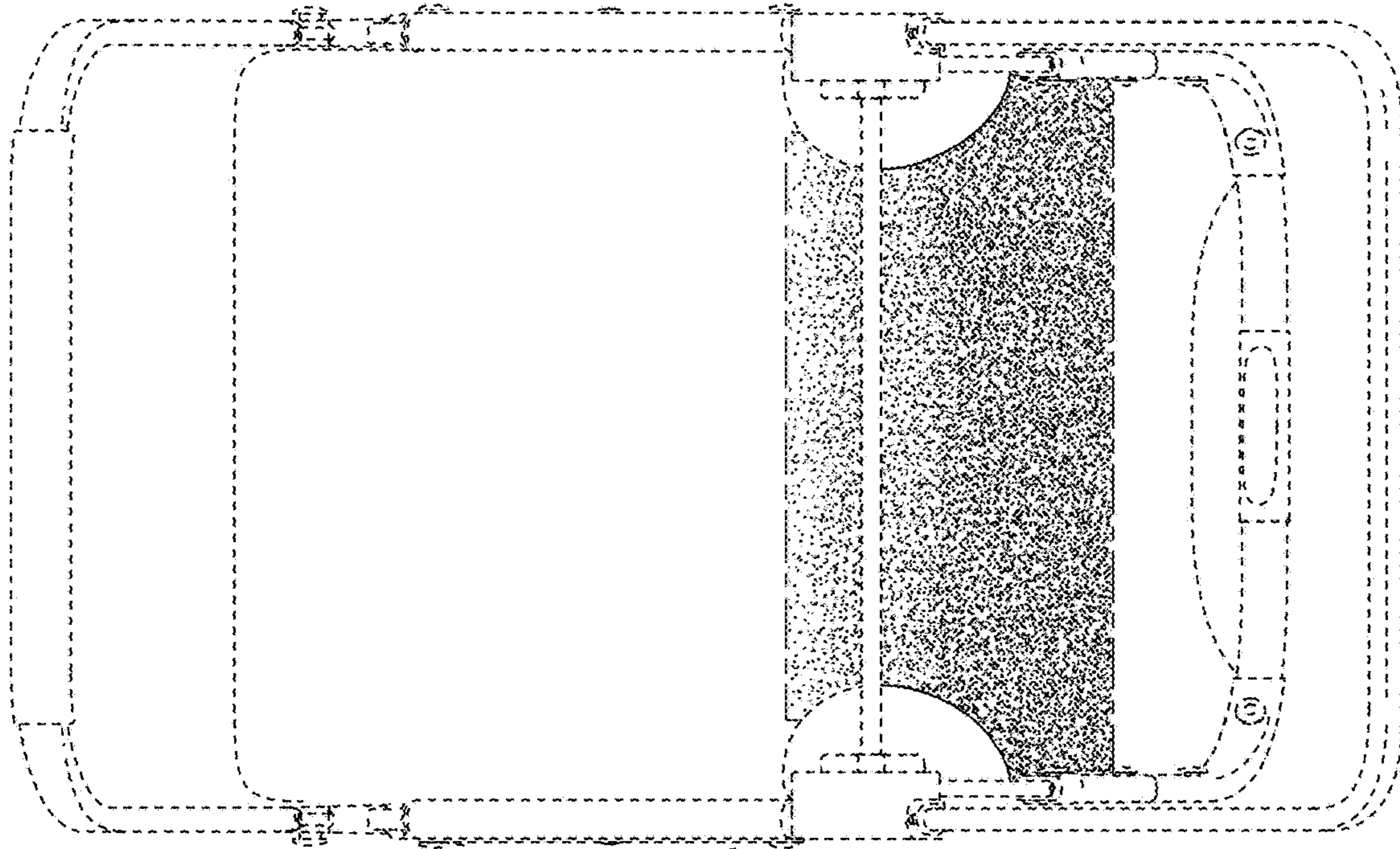


FIG. 6

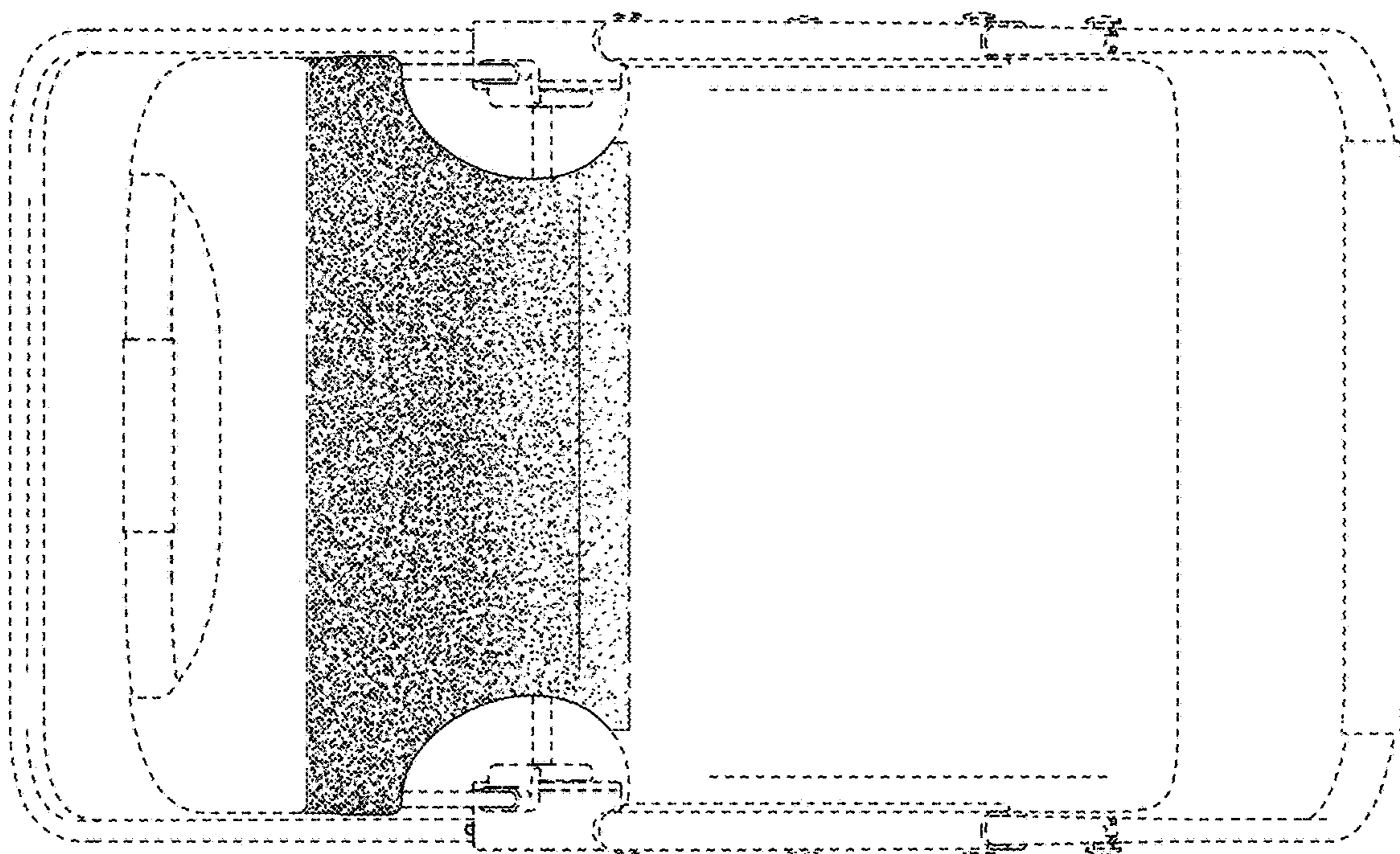


FIG. 7