



US00D934015S

(12) **United States Design Patent** (10) **Patent No.:** **US D934,015 S**
Hsu Besner et al. (45) **Date of Patent:** **** Oct. 26, 2021**

(54) **CHAIR**

(71) Applicant: **Sunflow, Inc.**, Short Hills, NJ (US)

(72) Inventors: **Leslie Hsu Besner**, Short Hills, NJ (US); **Yves Behar**, Oakland, CA (US); **Qin Li**, San Francisco, CA (US); **Brandon Heiman**, Portland, OR (US); **Bradley Feild Craddock**, San Francisco, CA (US); **Matthew Pempkowski**, Port Murray, NJ (US)

D571,115 S 6/2008 Cohen
D651,010 S 12/2011 Cohen
8,197,000 B1 6/2012 Cohen
D711,146 S 8/2014 Cohen
D711,147 S 8/2014 Cohen
D718,067 S 11/2014 Cohen
D804,232 S * 12/2017 Oliphant D6/716.1
D825,209 S 8/2018 Garrison
10,098,467 B2 * 10/2018 Bayiokos A47C 4/44
D844,338 S * 4/2019 Franks D6/368
10,463,157 B1 * 11/2019 Liniado A47C 4/28

(Continued)

(73) Assignee: **Sunflow, Inc.**, Short Hills, NJ (US)

(**) Term: **15 Years**

(21) Appl. No.: **29/705,704**

(22) Filed: **Sep. 13, 2019**

(51) **LOC (13) Cl.** **06-01**

(52) **U.S. Cl.**
USPC **D6/716.1; D6/368**

(58) **Field of Classification Search**
USPC D6/334-336, 367, 368, 371, 373, 375,
D6/379, 380, 716, 716.1, 716.2, 716.3,
D6/716.4, 709, 709.2, 708.16
CPC A47C 4/22; A47C 4/28; A47C 4/30; A47C
4/38; A47C 4/40; A47C 4/42; A47C 4/44;
A47C 4/46; A47C 4/50; A47C 5/043;
A47C 5/06; A47C 5/10

See application file for complete search history.

(56) **References Cited**

U.S. PATENT DOCUMENTS

4,577,901 A * 3/1986 Phillips A47C 5/10
297/17
D338,791 S 8/1993 Cohen
D376,060 S 12/1996 Cohen
6,056,172 A 5/2000 Welsh
D547,981 S 8/2007 Cohen
D571,113 S 6/2008 Cohen

OTHER PUBLICATIONS

[No. Author Listed] Beach and Pool Sun and Sand Chair. Telescope Casual Furniture. <https://www.telescopecasual.com/product/421/>. Publicly available at least as early as Sep. 4, 2019. 8 pages.

(Continued)

Primary Examiner — Mimosa De

(74) *Attorney, Agent, or Firm* — Wolf, Greenfield & Sacks, P.C.

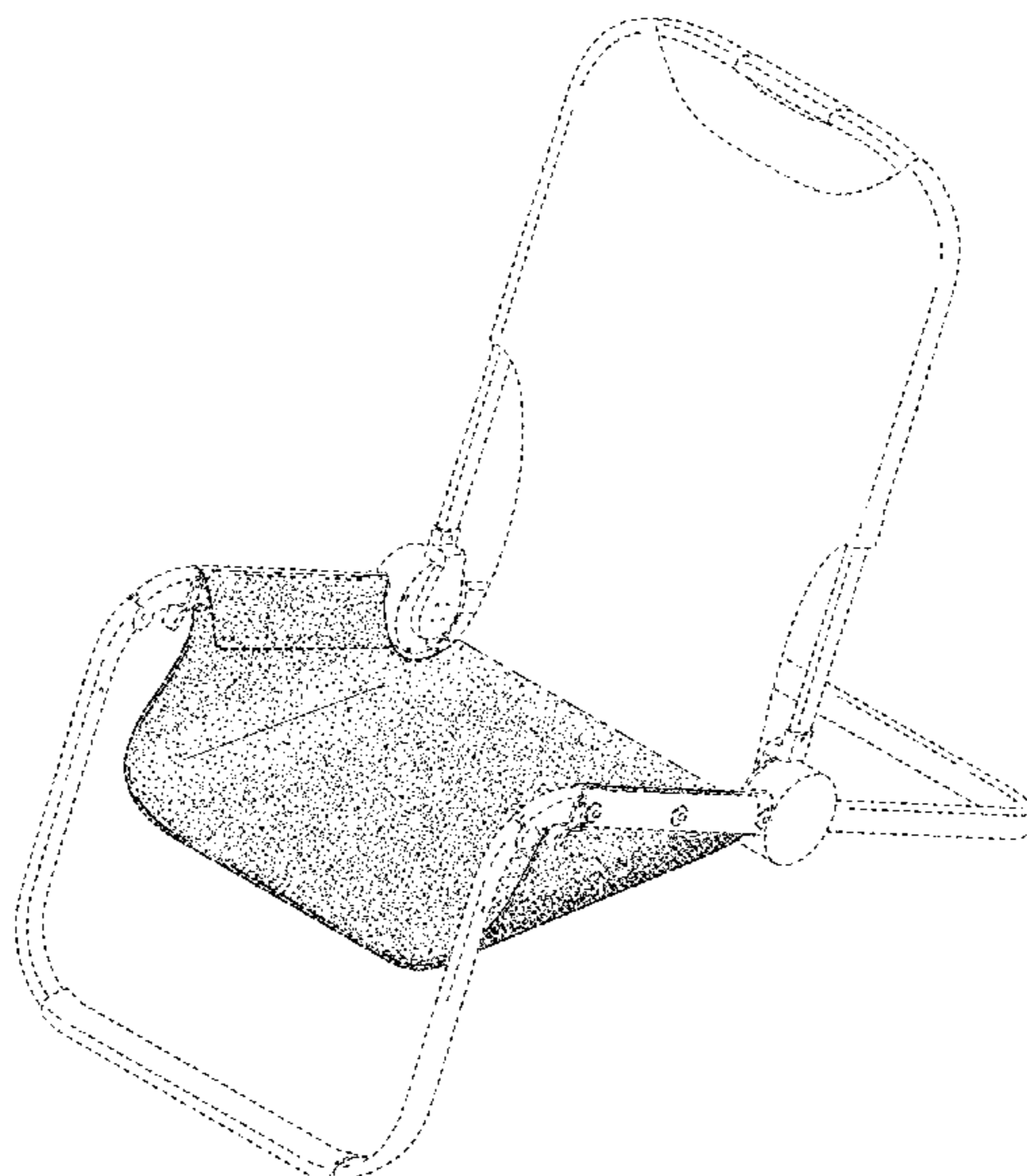
(57) **CLAIM**

The ornamental design for a chair, as shown and described.

DESCRIPTION

FIG. 1 is a top, front, right side perspective view of a chair according to our new design;
FIG. 2 is a rear elevation view thereof;
FIG. 3 is a left side elevation view thereof;
FIG. 4 is a front elevation view thereof;
FIG. 5 is a right side elevation view thereof;
FIG. 6 is a top plan view thereof; and,
FIG. 7 is a bottom plan view thereof.
The dash-dash broken lines illustrate portions of the chair that form no part of the claimed design. The dot-dash broken lines represent boundaries of the claimed design and form no part of the claimed design.

1 Claim, 4 Drawing Sheets



(56)

References Cited

U.S. PATENT DOCUMENTS

10,631,651 B1 * 4/2020 Besner A47C 4/30
2007/0001502 A1 1/2007 Welsh et al.
2012/0286544 A1 11/2012 Cohen
2013/0257128 A1 10/2013 Grace
2018/0249837 A1 9/2018 Cohen

OTHER PUBLICATIONS

[No. Author Listed], Blue Marlin Deluxe Backpack Beach Chair. Tommy Bahama. <https://www.tommybahama.com/en/Blue-Marlin-Deluxe-BackDack-Beach-Chair/p/TH34047-220>. Publicly available at least as early as Sep. 4, 2019. 4 pages.

U.S. Appl. No. 29/704,524, filed Sep. 5, 2019, Besner et al.

U.S. Appl. No. 29/705,703, filed Sep. 13, 2019, Besner et al.

U.S. Appl. No. 29/704,526, filed Sep. 5, 2019, Besner et al.

U.S. Appl. No. 29/705,705, filed Sep. 13, 2019, Besner et al.

* cited by examiner

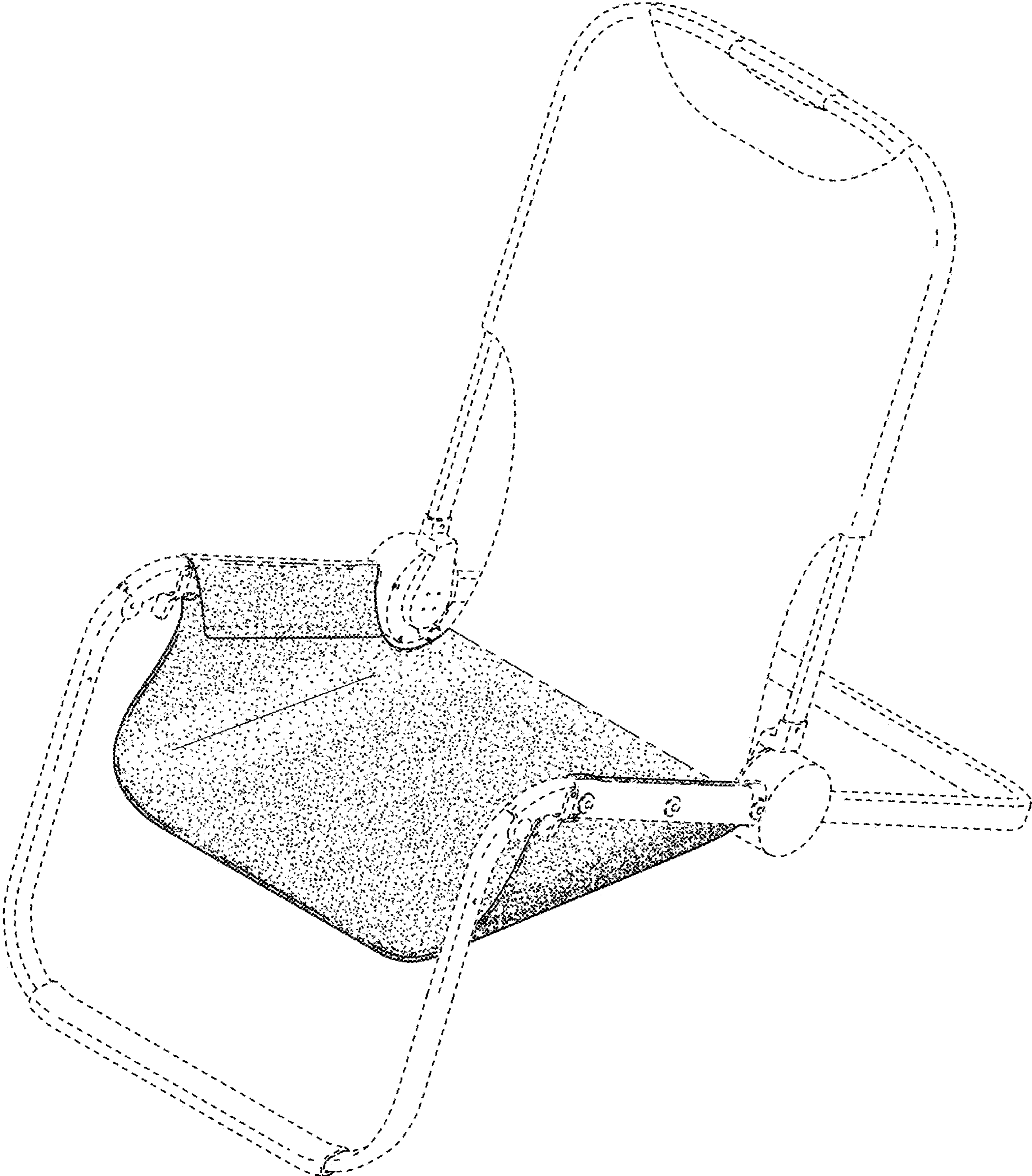


FIG. 1

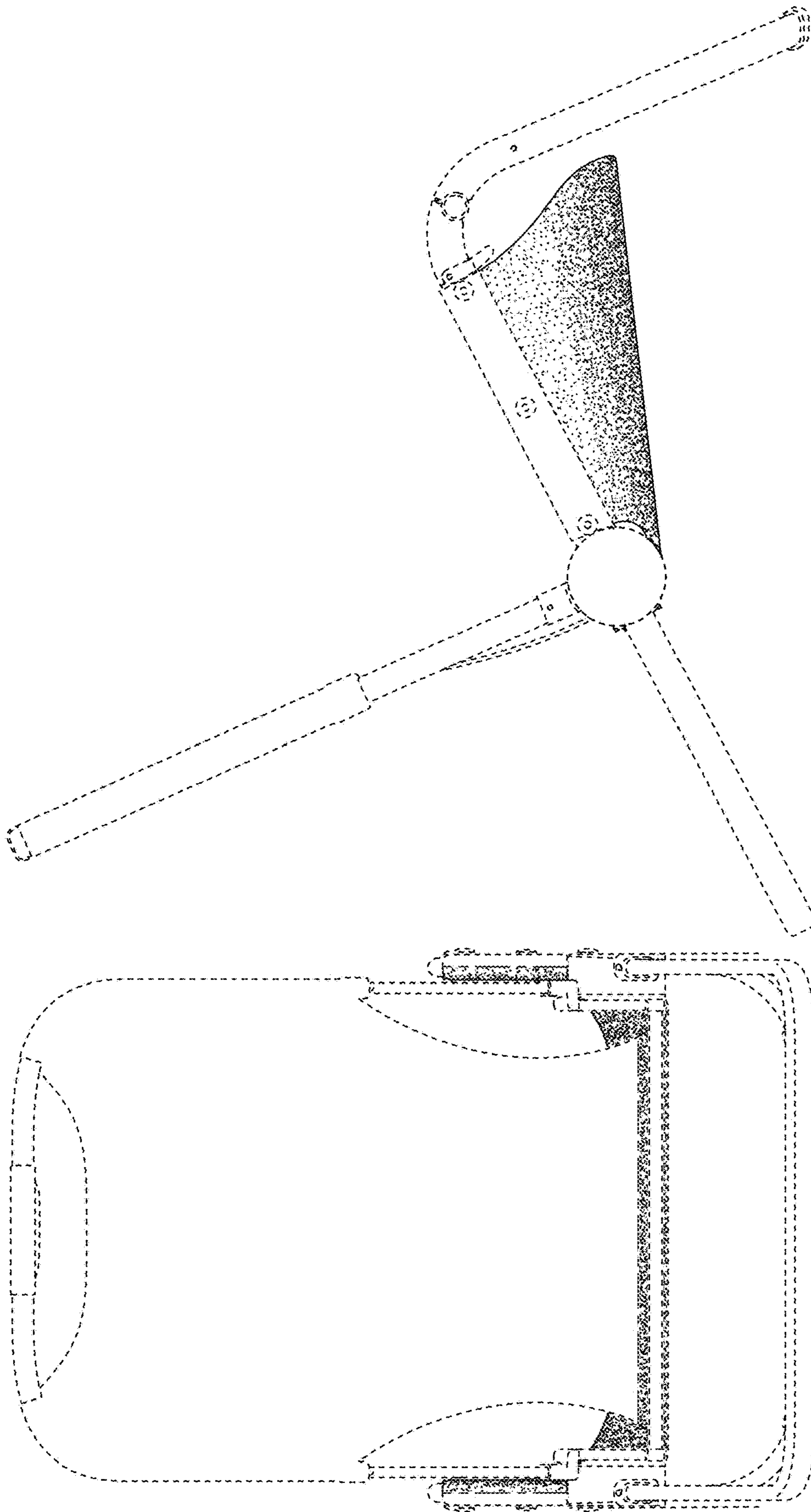


FIG. 3

FIG. 2

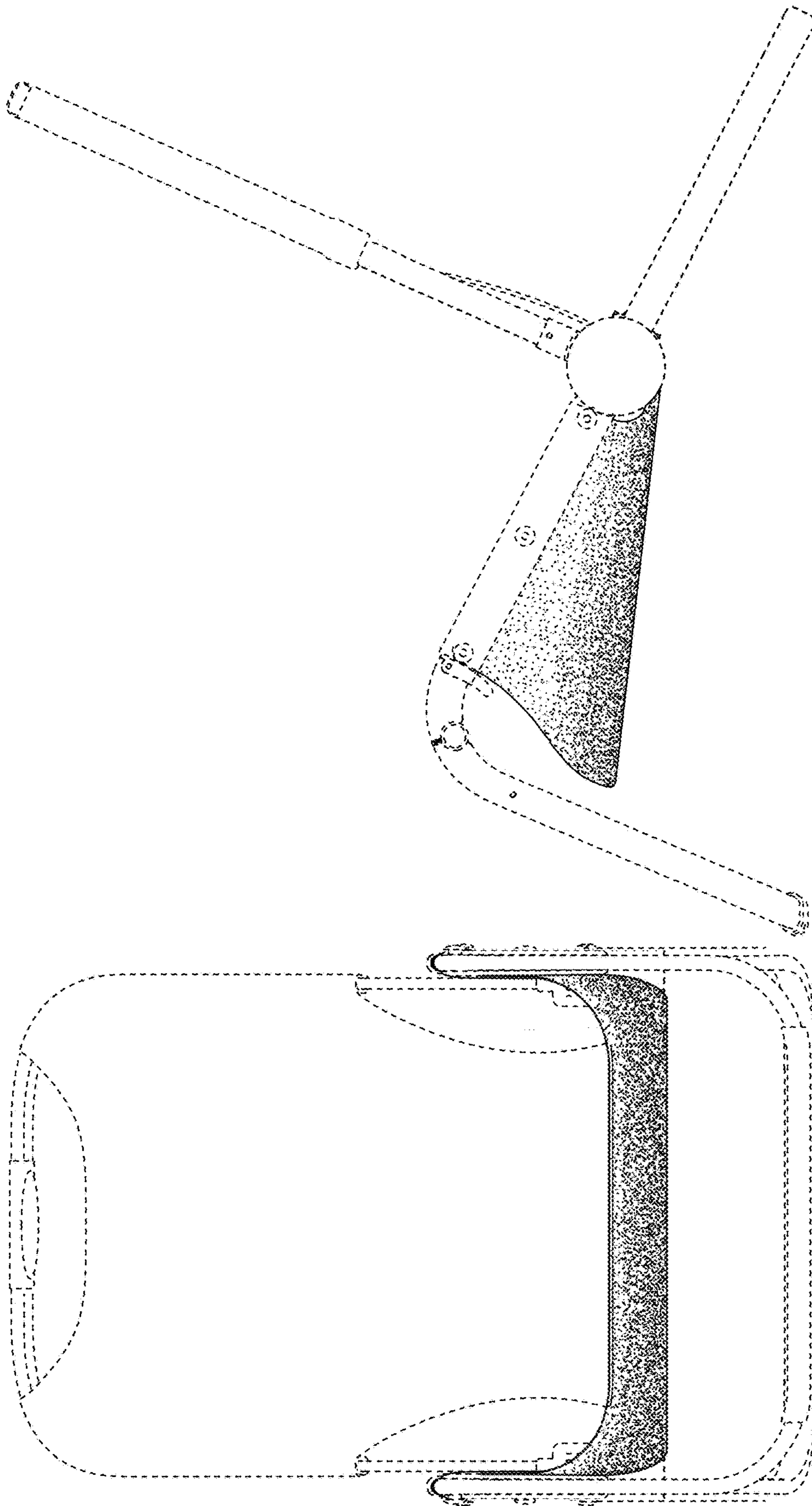


FIG. 5

FIG. 4

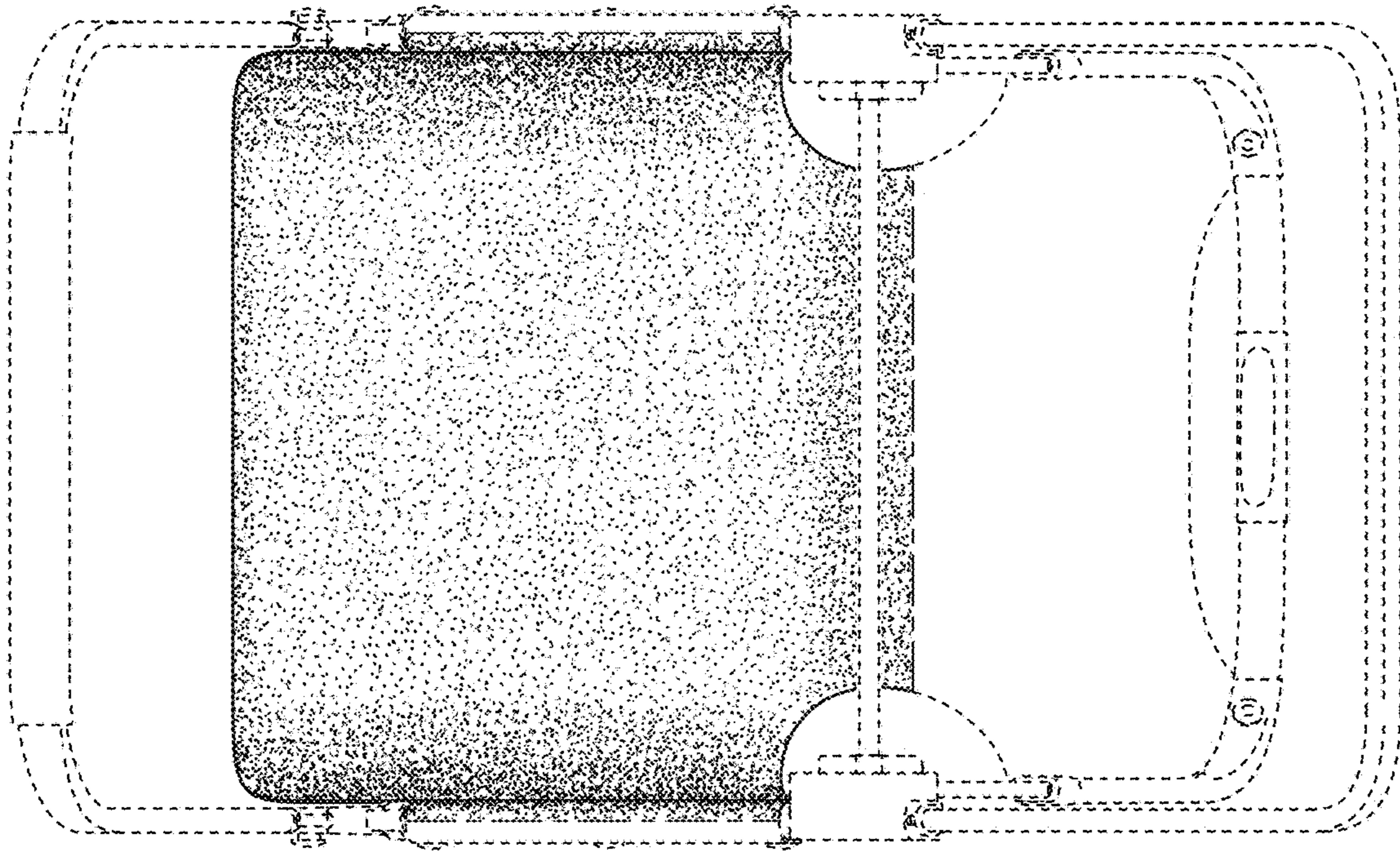


FIG. 7

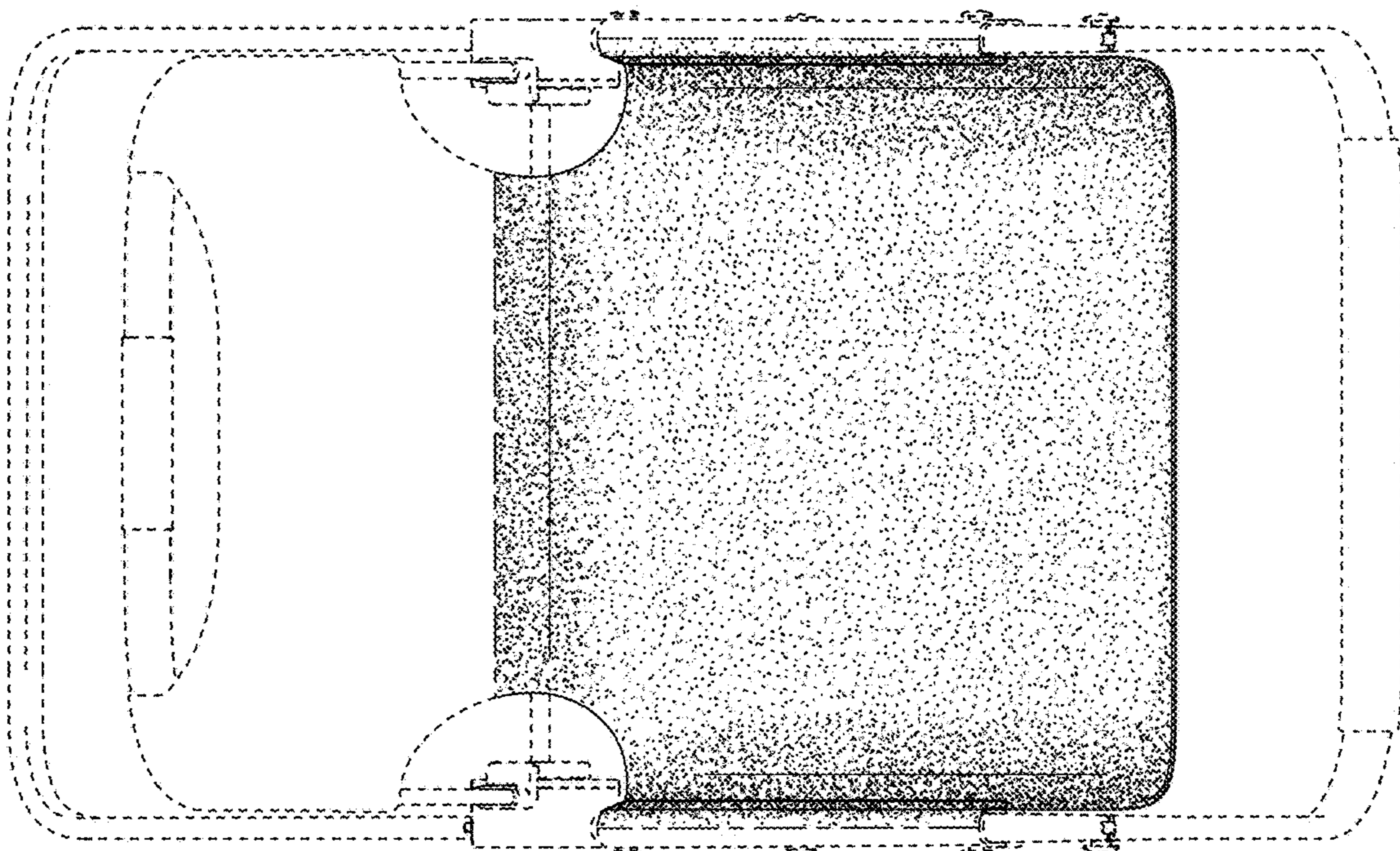


FIG. 6