



US00D934013S

(12) **United States Design Patent** (10) **Patent No.:** **US D934,013 S**
Hsu Besner et al. (45) **Date of Patent:** **** Oct. 26, 2021**

(54) **CHAIR FRAME**
(71) Applicant: **Sunflow, Inc.**, Short Hills, NJ (US)
(72) Inventors: **Leslie Hsu Besner**, Short Hills, NJ (US); **Yves Behar**, Oakland, CA (US); **Qin Li**, San Francisco, CA (US); **Brandon Heiman**, Portland, OR (US); **Bradley Feild Craddock**, San Francisco, CA (US); **Matthew Pempkowski**, Port Murray, NJ (US)

D528,314 S 9/2006 Roani
D547,960 S 8/2007 Nelson, Sr.
D571,113 S 6/2008 Cohen
D571,115 S 6/2008 Cohen
(Continued)

FOREIGN PATENT DOCUMENTS

TW 541007 S 7/2003
TW M500503 U 5/2015
WO WO-2020247512 A1 * 12/2020 A47C 4/30

OTHER PUBLICATIONS

[No Author Listed] Beach and Pool Sun and Sand Chair. Telescope Casual Furniture. <https://www.telescopecasual.com/Dproduct/421/>. Publicly available at least as early as Sep. 4, 2019. 8 pages.

(Continued)

Primary Examiner — Mimosa De

(74) *Attorney, Agent, or Firm* — Wolf, Greenfield & Sacks, P.C.

(73) Assignee: **Sunflow, Inc.**, Short Hills, NJ (US)
(**) Term: **15 Years**
(21) Appl. No.: **29/704,524**
(22) Filed: **Sep. 5, 2019**
(51) **LOC (13) Cl.** **06-01**
(52) **U.S. Cl.**
USPC **D6/709**; D6/368
(58) **Field of Classification Search**
USPC D6/334-336, 367, 368, 371, 373, 375, D6/379, 380, 716, 716.1, 716.2, 716.3, D6/716.4, 709, 709.2, 708.16
CPC A47C 4/22; A47C 4/28; A47C 4/30; A47C 4/38; A47C 4/40; A47C 4/42; A47C 4/44; A47C 4/46; A47C 4/50; A47C 5/043; A47C 5/06; A47C 5/10
See application file for complete search history.

CLAIM

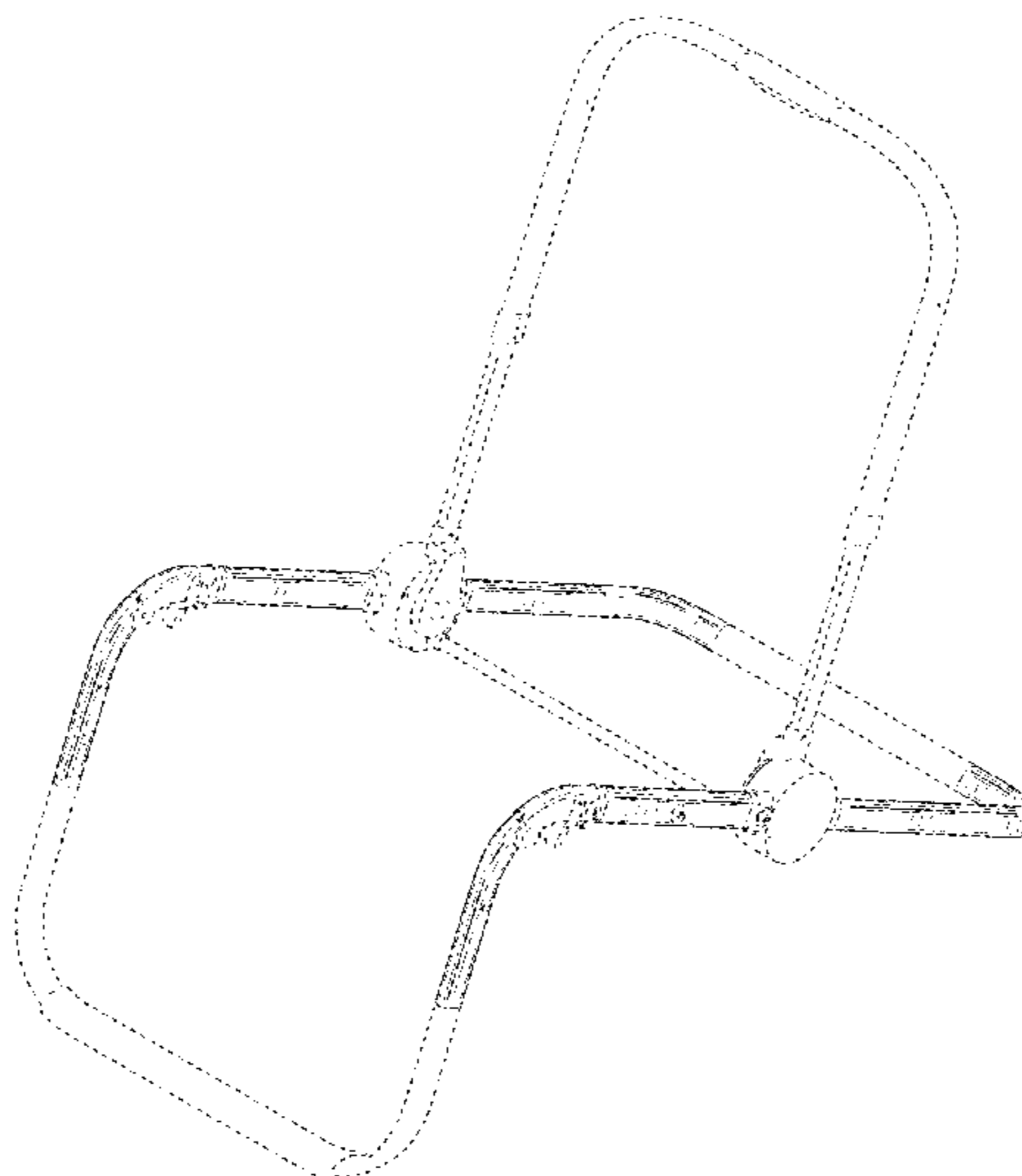
(57) The ornamental design for a chair frame, as shown and described.

DESCRIPTION

FIG. 1 is a top, front, right side perspective view of a chair frame according to our new design;
FIG. 2 is a left side elevation view thereof;
FIG. 3 is a front elevation view thereof;
FIG. 4 is a right side elevation view thereof;
FIG. 5 is a rear elevation view thereof;
FIG. 6 is a top plan view thereof; and,
FIG. 7 is a bottom plan view thereof.
The dash-dash broken lines illustrate portions of the chair frame that form no part of the claimed design. The dot-dash broken lines represent boundaries of the claimed design and form no part of the claimed design.

1 Claim, 4 Drawing Sheets

(56) **References Cited**
U.S. PATENT DOCUMENTS
2,708,962 A * 5/1955 Rechler A47C 4/50 297/31
D191,786 S * 11/1961 Kaltsas D6/368
4,514,009 A * 4/1985 Vanderminden A47C 4/22 297/16.1
D388,968 S 1/1998 de Visser
6,056,172 A 5/2000 Welsh
6,764,132 B1 * 7/2004 Gaertner A47C 4/44 297/130



(56)

References Cited

U.S. PATENT DOCUMENTS

D651,010 S 12/2011 Cohen
 8,197,000 B1 6/2012 Cohen
 D666,017 S 8/2012 Freitas Mayer et al.
 D711,146 S 8/2014 Cohen
 D711,147 S 8/2014 Cohen
 D718,067 S 11/2014 Cohen
 9,877,587 B2* 1/2018 Grace A47C 5/10
 D825,209 S 8/2018 Garrison
 10,098,467 B2* 10/2018 Bayiokos A47C 4/28
 10,194,749 B1* 2/2019 Doolan A47C 5/10
 D844,338 S * 4/2019 Franks D6/368
 D849,437 S * 5/2019 Yang D6/368
 D850,135 S * 6/2019 Yang D6/368
 D850,810 S * 6/2019 Doolan D6/368
 10,463,157 B1* 11/2019 Liniado A47C 4/28
 10,631,651 B1* 4/2020 Hsu Besner A47C 7/543
 D911,730 S * 3/2021 Doolan D6/368

2007/0001502 A1 1/2007 Welsh et al.
 2012/0286544 A1 11/2012 Cohen
 2013/0257128 A1 10/2013 Grace
 2016/0198856 A1* 7/2016 Grace A47C 4/22
 2018/0249837 A1 9/2018 Cohen
 297/16.1

OTHER PUBLICATIONS

[No Author Listed], Blue Marlin Deluxe Backpack Beach Chair. Tommy Bahama. <https://www.tommybahama.com/en/Blue-Marlin-Deluxe-Backpack-Beach-Chair/D/TH34047-220>. Publicly available at least as early as Sep. 4, 2019. 4 pages.
 U.S. Appl. No. 29/705,703, filed Sep. 13, 2019, Besner et al.
 U.S. Appl. No. 29/705,704, filed Sep. 13, 2019, Besner et al.
 U.S. Appl. No. 29/704,526, filed Sep. 5, 2019, Besner et al.
 U.S. Appl. No. 29/705,705, filed Sep. 13, 2019, Besner et al.

* cited by examiner

FIG. 1

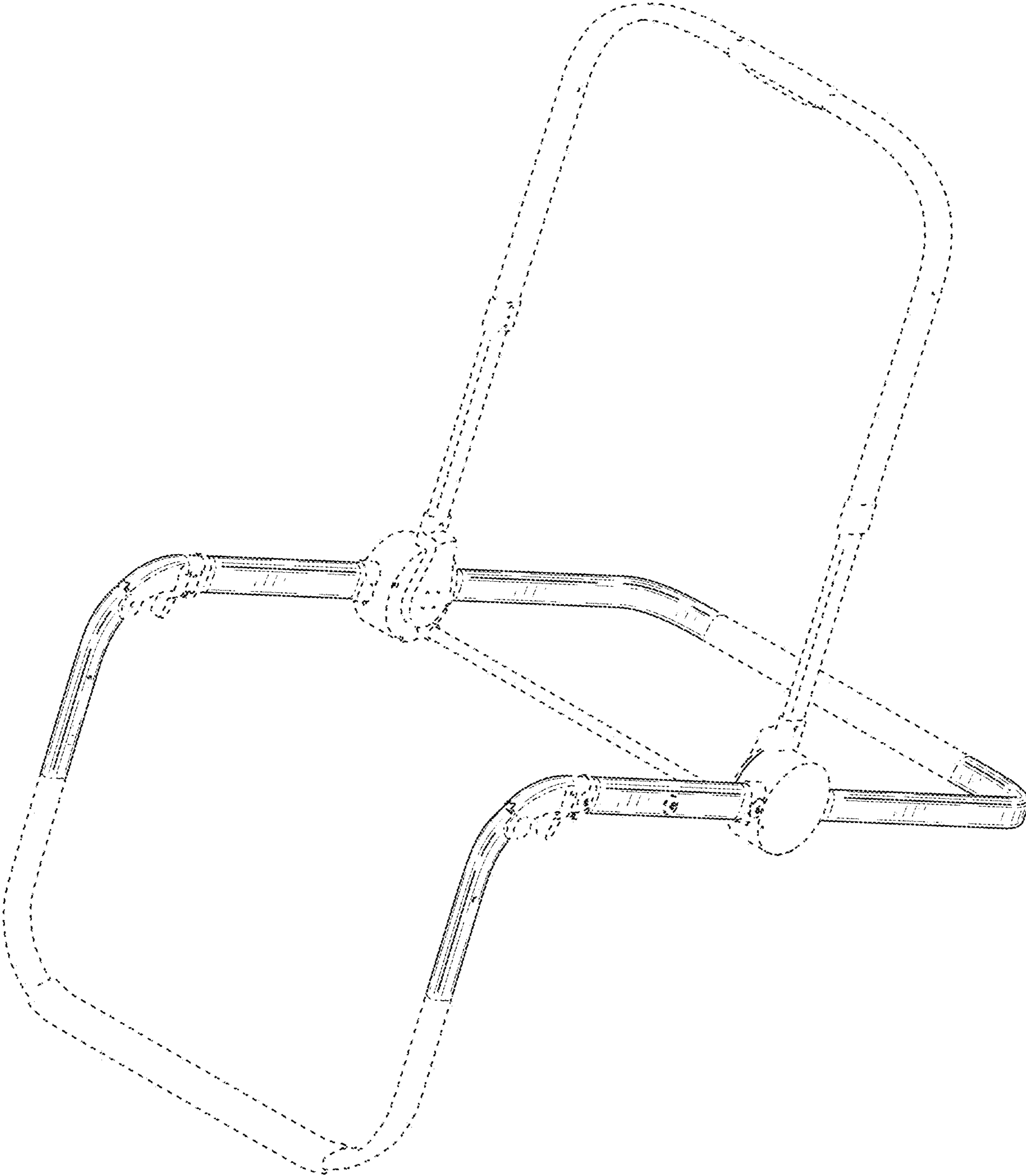


FIG. 3

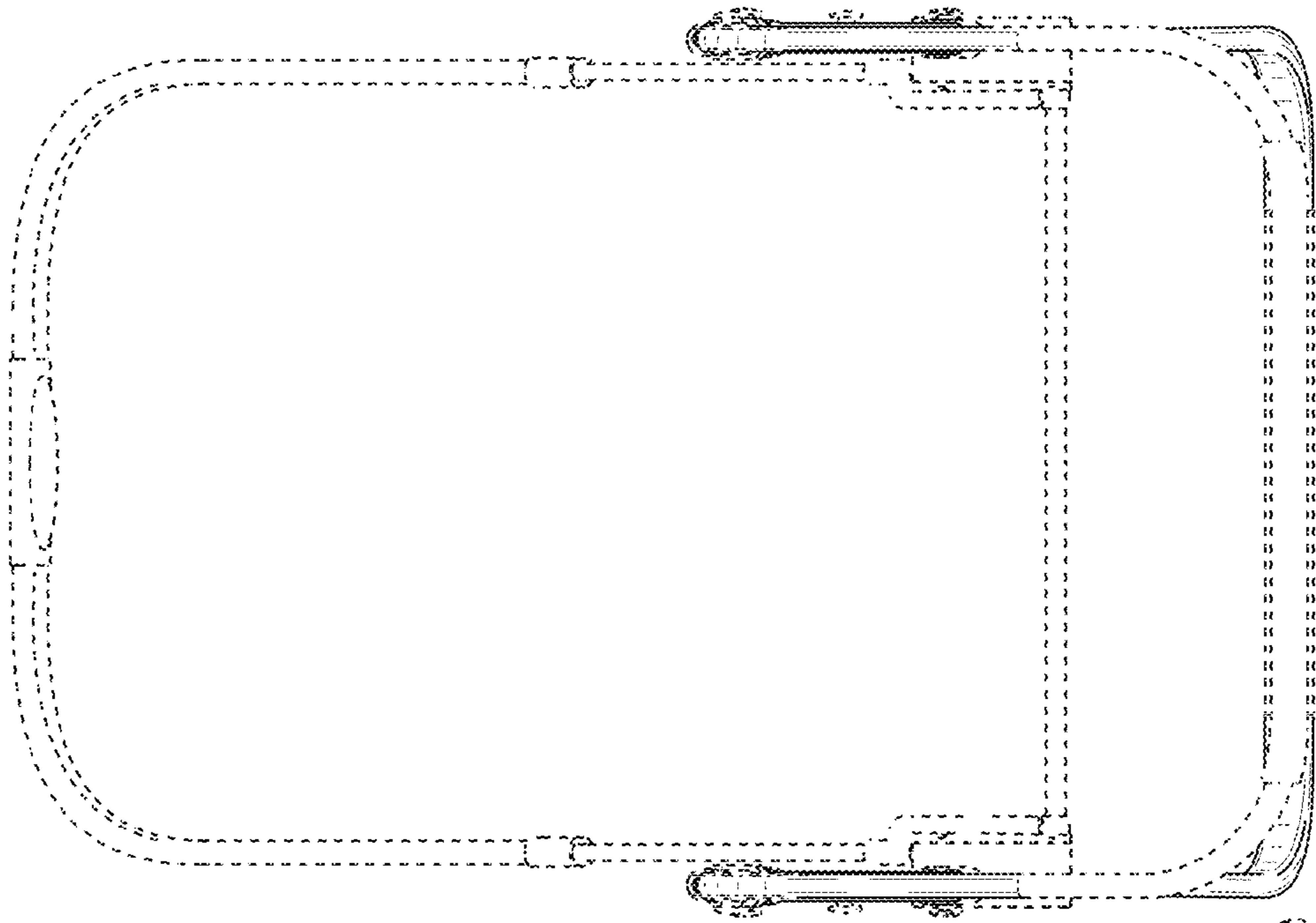


FIG. 2

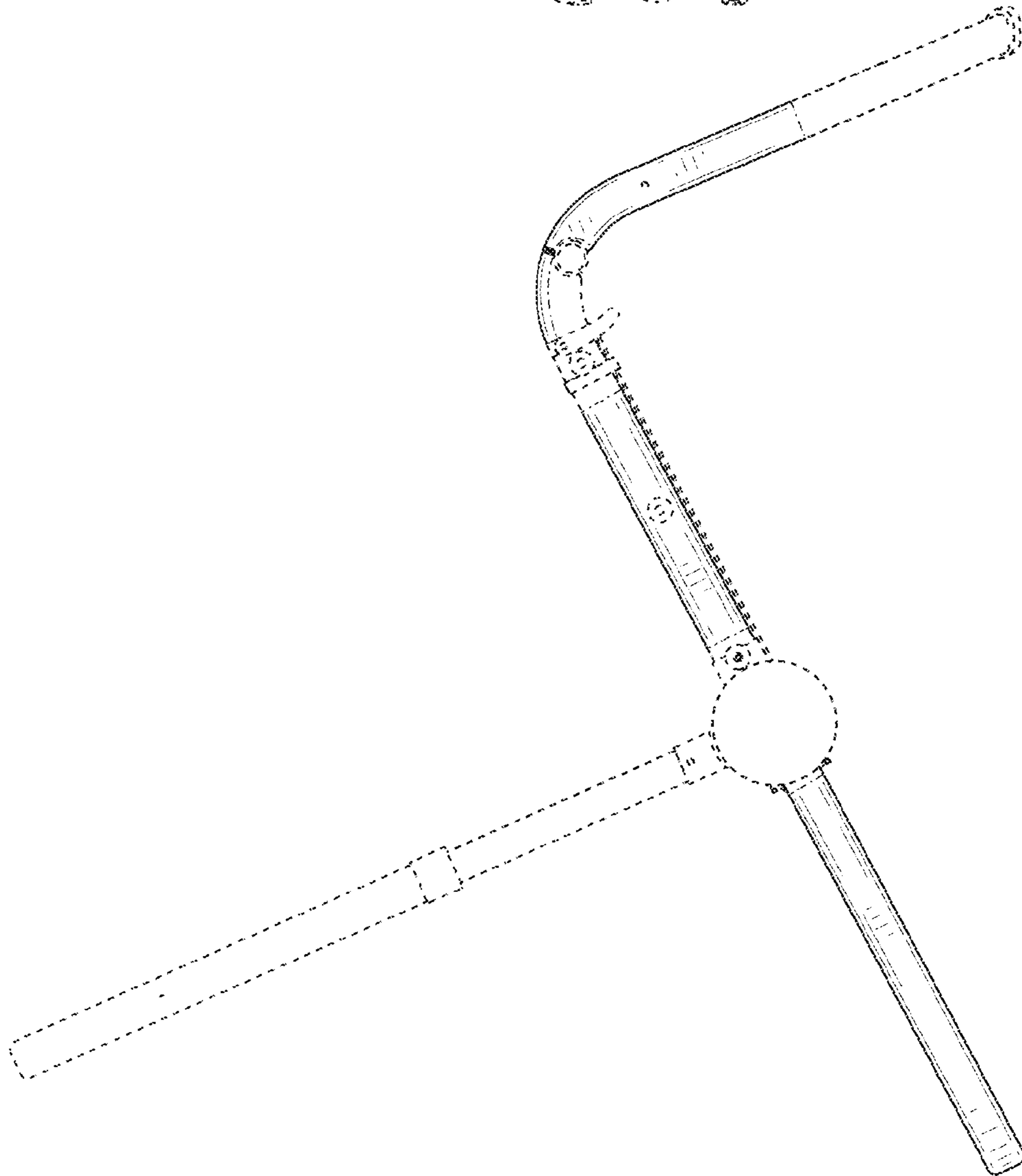


FIG. 5

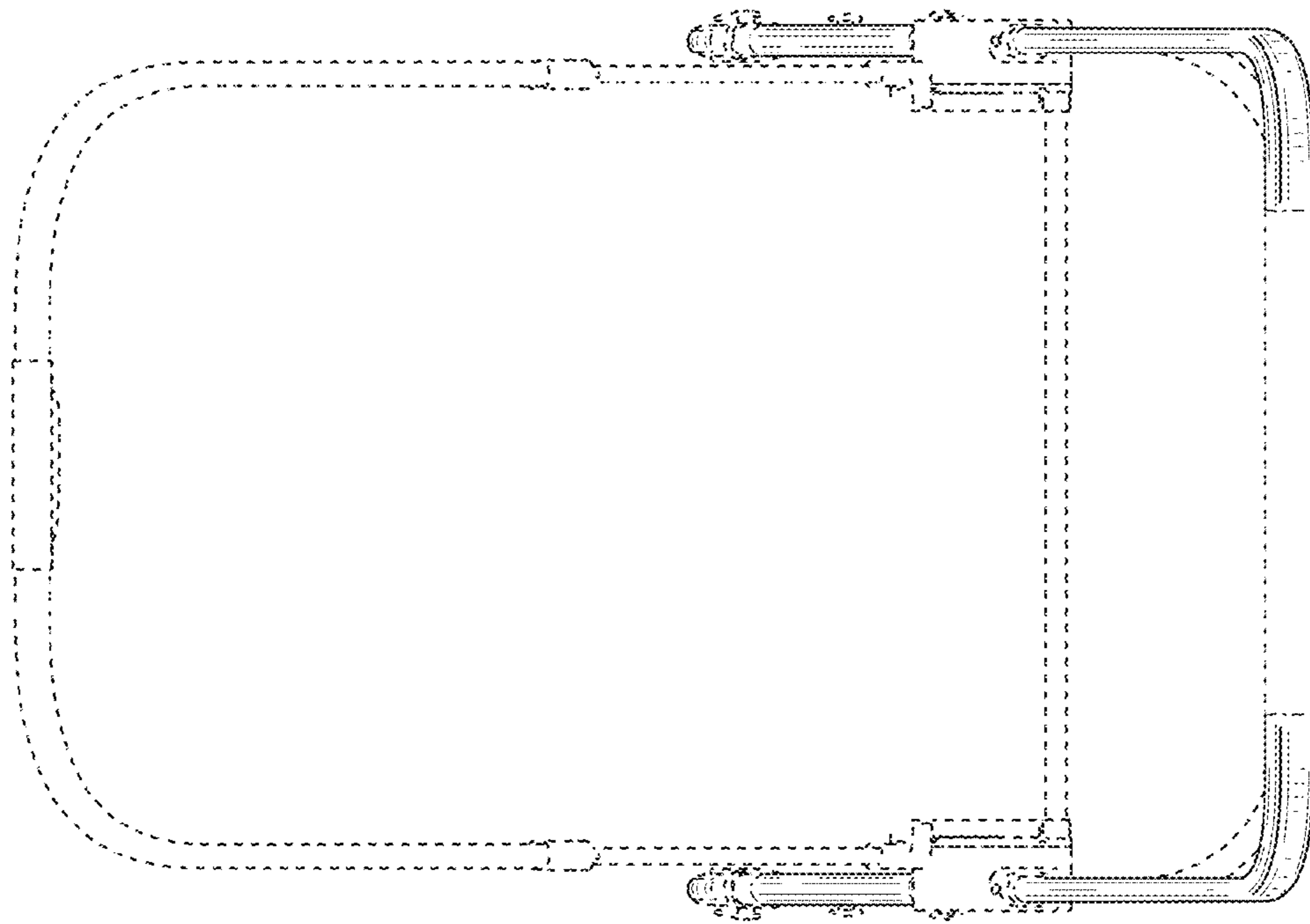


FIG. 4

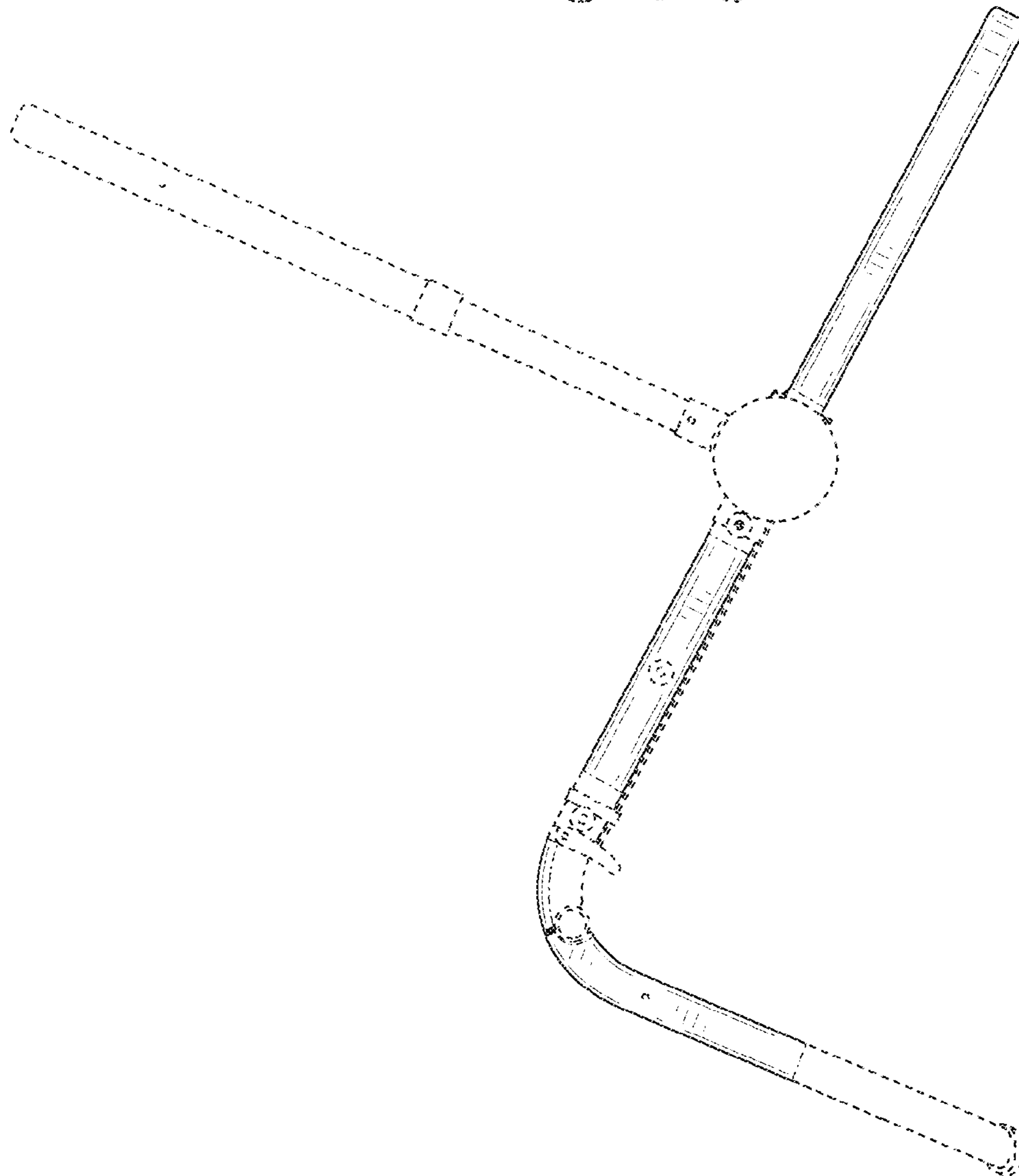


FIG. 7

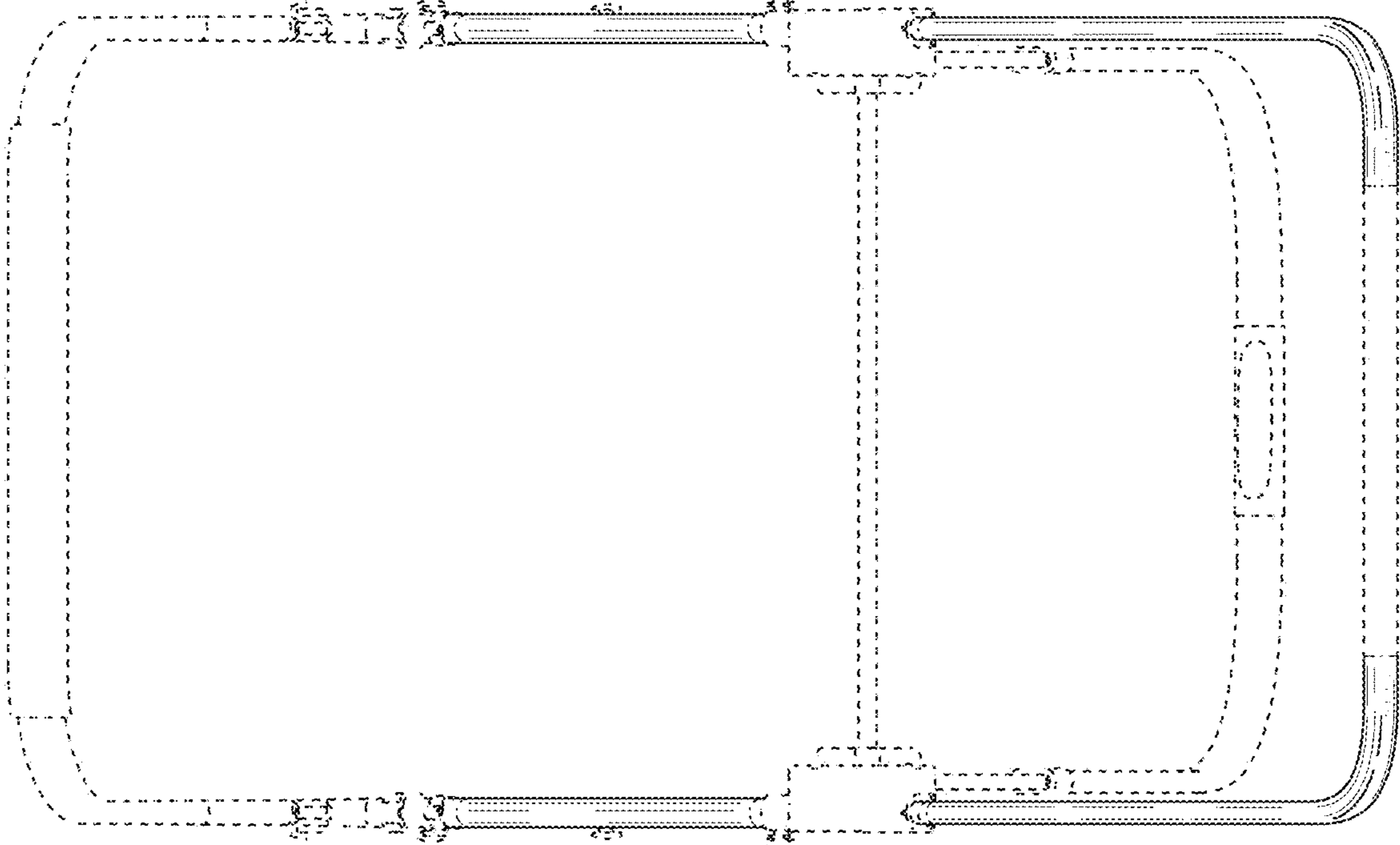


FIG. 6

