



US00D934011S

(12) **United States Design Patent**  
**Rashid**

(10) **Patent No.:** **US D934,011 S**

(45) **Date of Patent:** **\*\* \*Oct. 26, 2021**

(54) **TABLE**

(71) Applicant: **Karim Rashid**, New York, NY (US)

(72) Inventor: **Karim Rashid**, New York, NY (US)

(73) Assignee: **Norix Group, Inc.**, West Chicago, IL (US)

(\*) Notice: This patent is subject to a terminal disclaimer.

(\*\*) Term: **15 Years**

(21) Appl. No.: **29/628,035**

(22) Filed: **Nov. 30, 2017**

(51) **LOC (13) Cl.** ..... **06-03**

(52) **U.S. Cl.**  
USPC ..... **D6/692.3**

(58) **Field of Classification Search**  
USPC ..... D6/369, 668, 672, 677, 685, 686, 687,  
D6/689, 692, 692.1-692.6, 696, 698,  
D6/703.1, 707.18, 707.2, 708, 708.15,  
D6/708.17, 708.2, 708.23, 708.1  
CPC ..... A47B 7/00; A47B 11/00; A47B 13/12;  
A47B 3/08; A47B 3/0803; A47B 49/004;  
A47B 13/023; A47B 2013/024; A47B  
2013/025; A47B 2013/026; A47B  
2013/027; A47B 13/086

See application file for complete search history.

(56) **References Cited**

**U.S. PATENT DOCUMENTS**

D199,983 S \* 1/1965 Carr ..... D6/692.3  
D222,082 S \* 9/1971 Kleinert ..... D6/692.3  
D253,925 S \* 1/1980 Keller ..... D6/366  
D368,193 S \* 3/1996 Walters ..... D6/692.3  
D394,568 S \* 5/1998 Westerburgen ..... D6/708.17

D769,036 S \* 10/2016 Manea ..... D6/692.3  
D782,856 S \* 4/2017 Broen ..... D6/692.3  
D811,786 S \* 3/2018 Lim ..... D6/692.3  
D822,417 S \* 7/2018 Muller ..... D6/708  
D825,965 S \* 8/2018 Hendifar ..... D6/692.3  
D828,062 S \* 9/2018 Lykouria ..... D6/692.3

**OTHER PUBLICATIONS**

Tonik, posted at Facebook.com, posted on Jul. 25, 2017, site visited Sep. 11, 2019. online, available from internet: <https://www.facebook.com/tonikworld/photos/a.1280289675384242/1397469123666296/?type=3&theater> (Year: 2017).\*

\* cited by examiner

*Primary Examiner* — Mary Ann Calabrese

*Assistant Examiner* — Catherine Ho

(74) *Attorney, Agent, or Firm* — James D Palmatier;

Applied Patent Services, PC

(57) **CLAIM**

I claim the ornamental design for a table, as shown and described.

**DESCRIPTION**

FIG. 1 is a top plan view of a table, showing, my new design; FIG. 2 is a front elevation view thereof the back and side elevation views being a mirror image thereof; FIG. 3 is a bottom plan view thereof; FIG. 4 is a top perspective view thereof; and, FIG. 5 is a bottom perspective view thereof.

The broken line portion of the drawings is included to show portions of the article that forms no part of the claimed design.

**1 Claim, 2 Drawing Sheets**

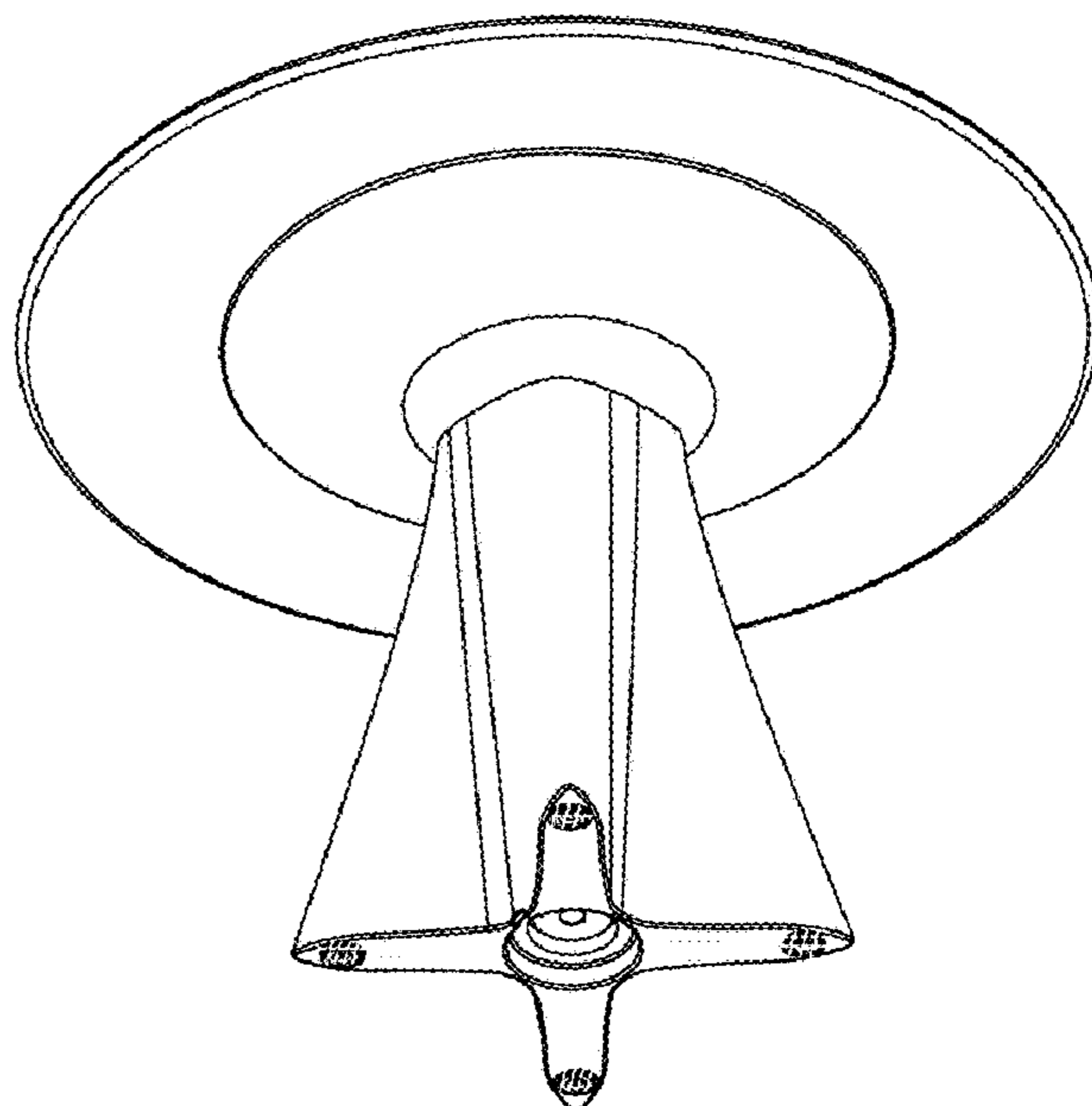
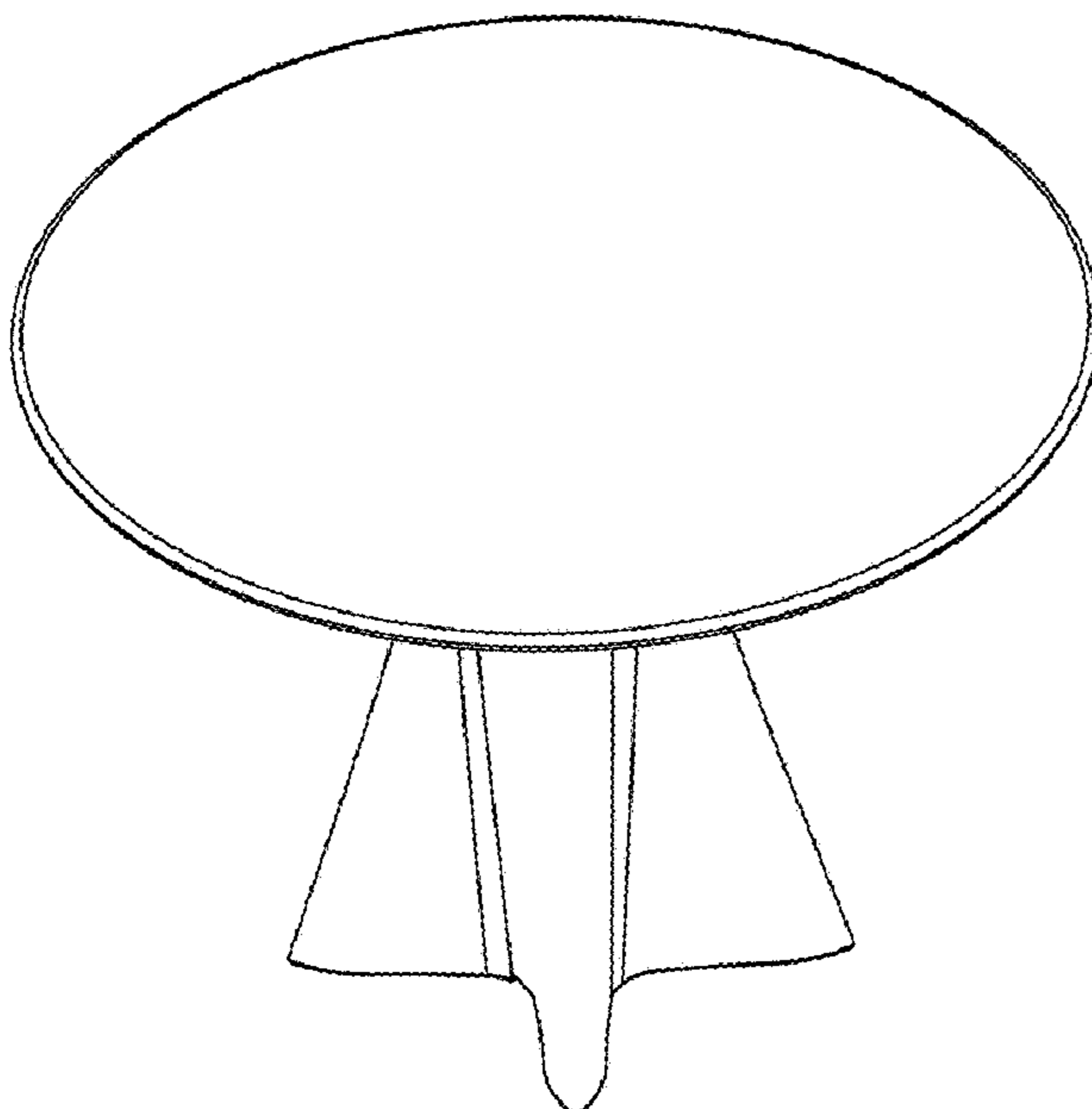


FIG. 1

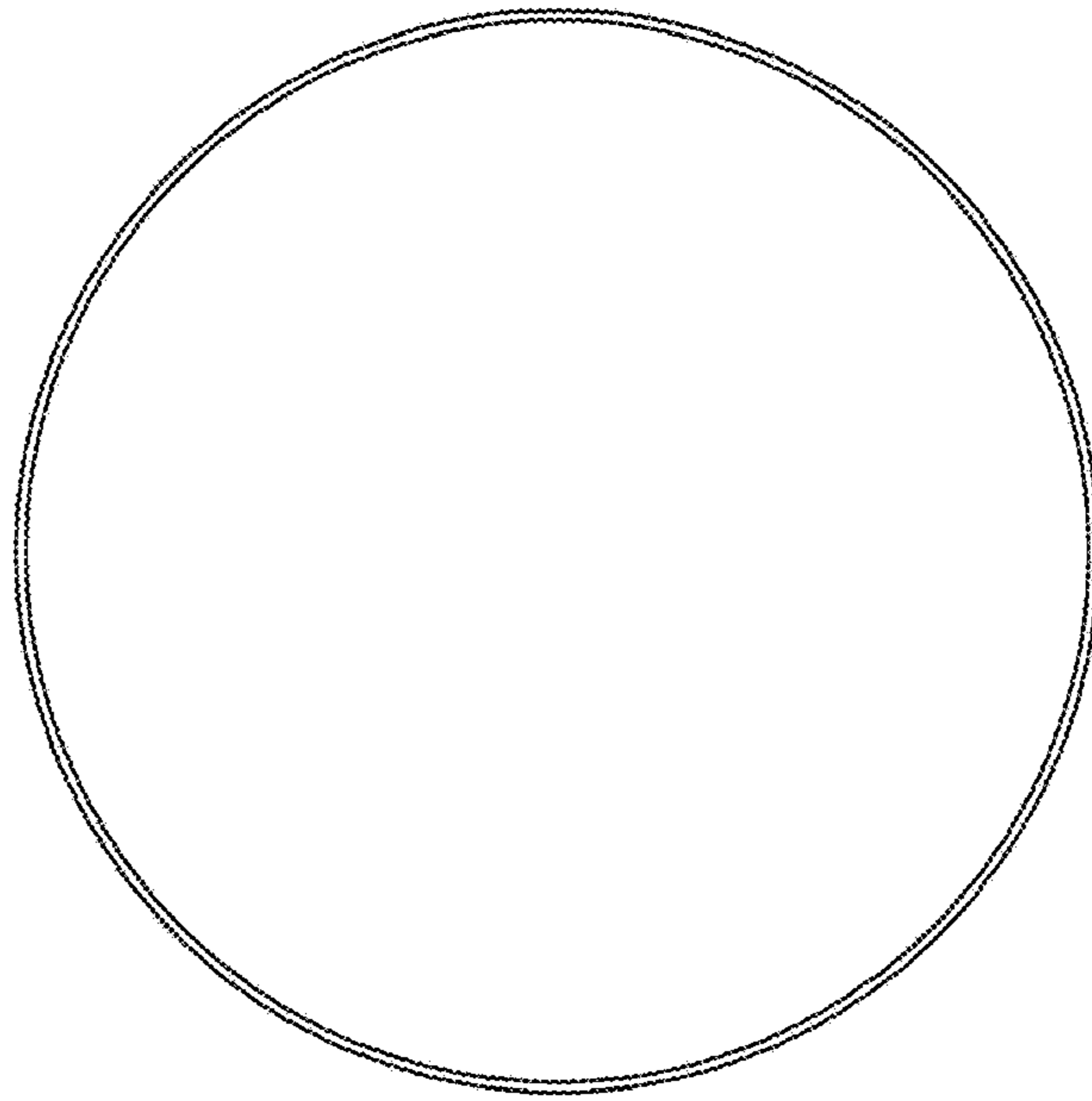


FIG. 2

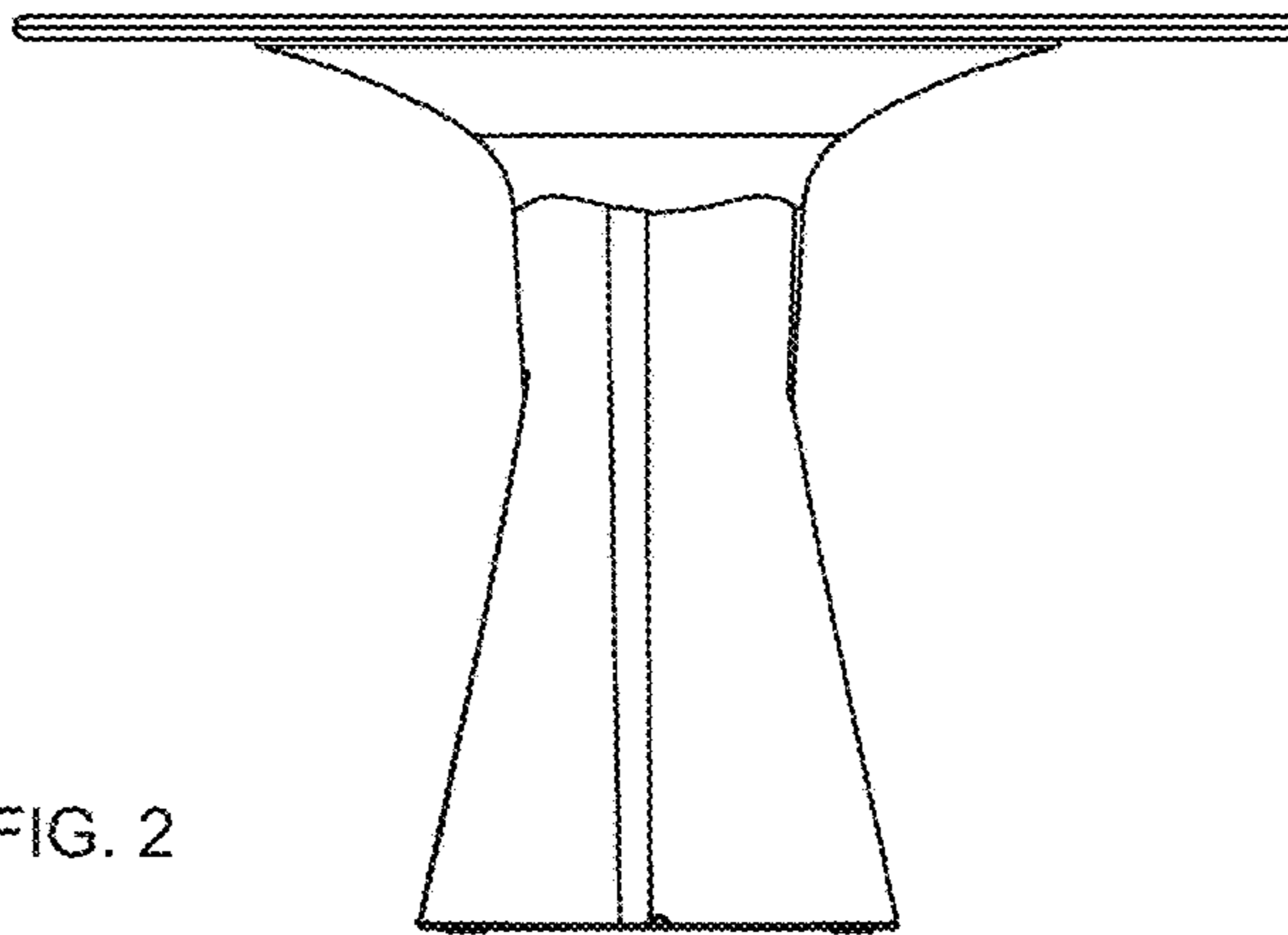


FIG. 3

