



US00D934010S

(12) **United States Design Patent**
van Leeuwen

(10) **Patent No.:** **US D934,010 S**

(45) **Date of Patent:** **** Oct. 26, 2021**

(54) **MUSICAL INSTRUMENT STAND ASSEMBLY**

(71) Applicant: **Gijs van Leeuwen**, Krimpen aan den IJssel (NL)

(72) Inventor: **Gijs van Leeuwen**, Krimpen aan den IJssel (NL)

(**) Term: **15 Years**

(21) Appl. No.: **35/508,862**

(22) Filed: **Nov. 12, 2018**

(80) **Hague Agreement Data**

Int. Filing Date: **Nov. 12, 2018**

Int. Reg. No.: **DM/206418**

Int. Reg. Date: **Nov. 12, 2018**

Int. Reg. Pub. Date: **Mar. 20, 2020**

(51) **LOC (13) Cl.** **06-04**

(52) **U.S. Cl.**
USPC **D6/682**

(58) **Field of Classification Search**
USPC D6/672, 680, 681, 681.1, 682, 682.5
CPC A47F 7/00; F16B 7/1427; F16M 11/22;
G10G 5/00
See application file for complete search history.

(56) **References Cited**

U.S. PATENT DOCUMENTS

- D269,567 S * 7/1983 Lorenzini G10G 5/00
D6/680
- 4,407,182 A * 10/1983 Biasini F16M 11/22
248/170
- 4,529,865 A * 7/1985 Oakes, Jr. G10G 5/00
219/201
- 4,632,597 A * 12/1986 Clausen F16B 7/1427
248/412
- 6,283,421 B1 * 9/2001 Eason G10G 5/00
248/170

- D469,278 S * 1/2003 Lippert G10G 5/00
D17/13
- D469,630 S * 2/2003 Lippert G10G 5/00
D17/13
- 7,321,091 B1 * 1/2008 Hsieh G10G 5/00
84/387 A
- 7,414,185 B2 * 8/2008 Hsieh G10G 5/00
248/166
- 7,459,622 B2 * 12/2008 Hsieh G10G 5/00
248/176.1

(Continued)

OTHER PUBLICATIONS

WoodWind Design Carbon Euphonium Stand—The Horn Guys
<https://www.hornguys.com/products/woodwinddesign-carbon-euphonium-stand> retrieved from the internet on Feb. 15, 2021.*

Primary Examiner — Mary Ann Calabrese

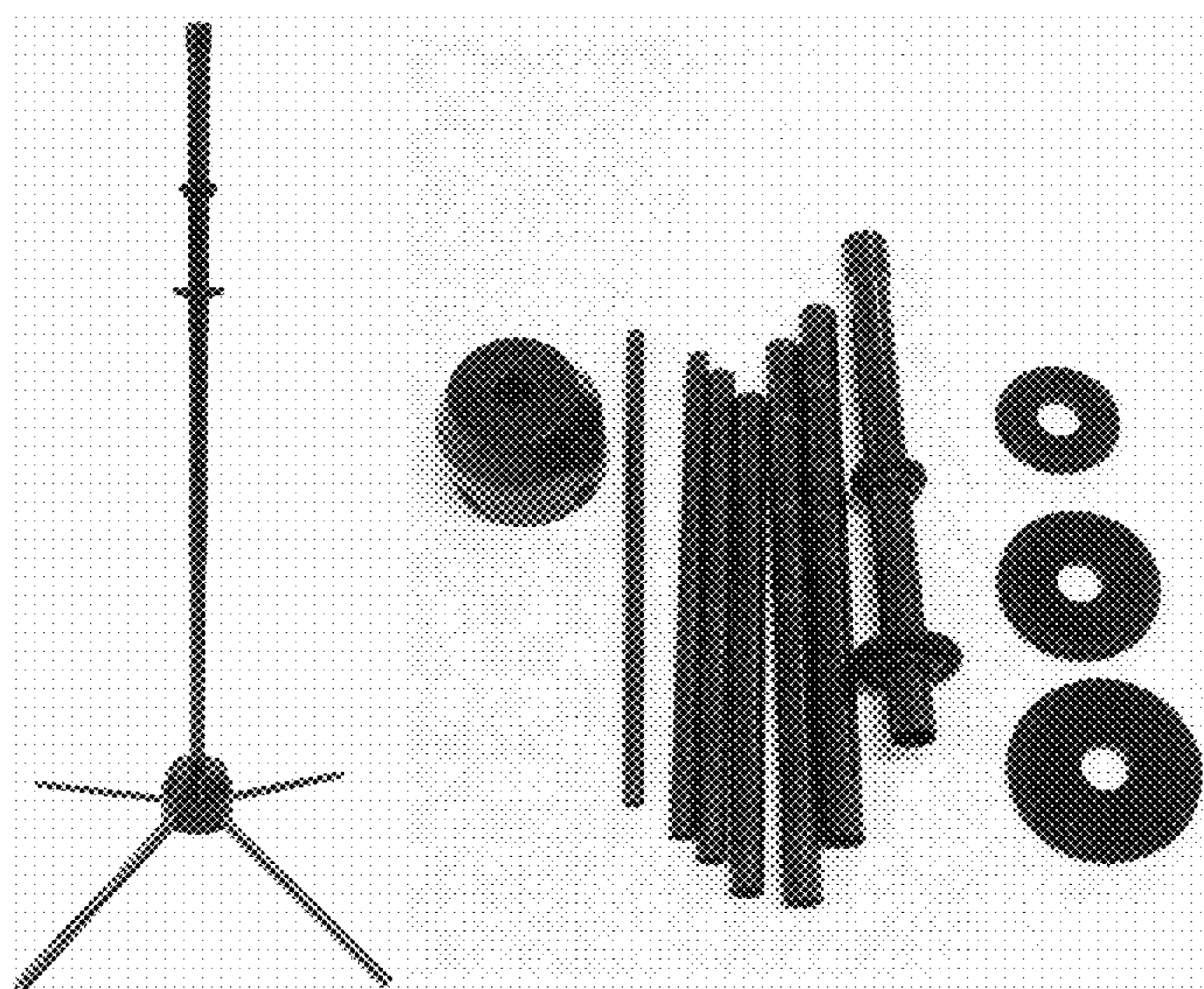
(57) **CLAIM**

The ornamental design for a musical instrument stand assembly, as shown and described.

DESCRIPTION

- 1. Musical instrument stand assembly
 - 1.1 is a front perspective view.
 - 1.2 is a right perspective view.
 - 1.3 is a right perspective view shown in an alternate lowered position, using the alternative discs for a wider bell.
 - 1.4 is an enlarged fragmentary right perspective showing the tube holder with the tubes attached.
 - 1.5 is a perspective view shown unassembled with the alternative discs.
 - 1.6 is a perspective view shown in a collapsed configuration with the alternative discs.
- The musical instrument stand assembly includes the collective appearance of the assembly of its components which can be reconfigured to fit any size bell of (bass) trombones, alto horns, euphoniums and similar musical instruments by adjusting and/or exchanging the rings.

1 Claim, 6 Drawing Sheets



(56)

References Cited

U.S. PATENT DOCUMENTS

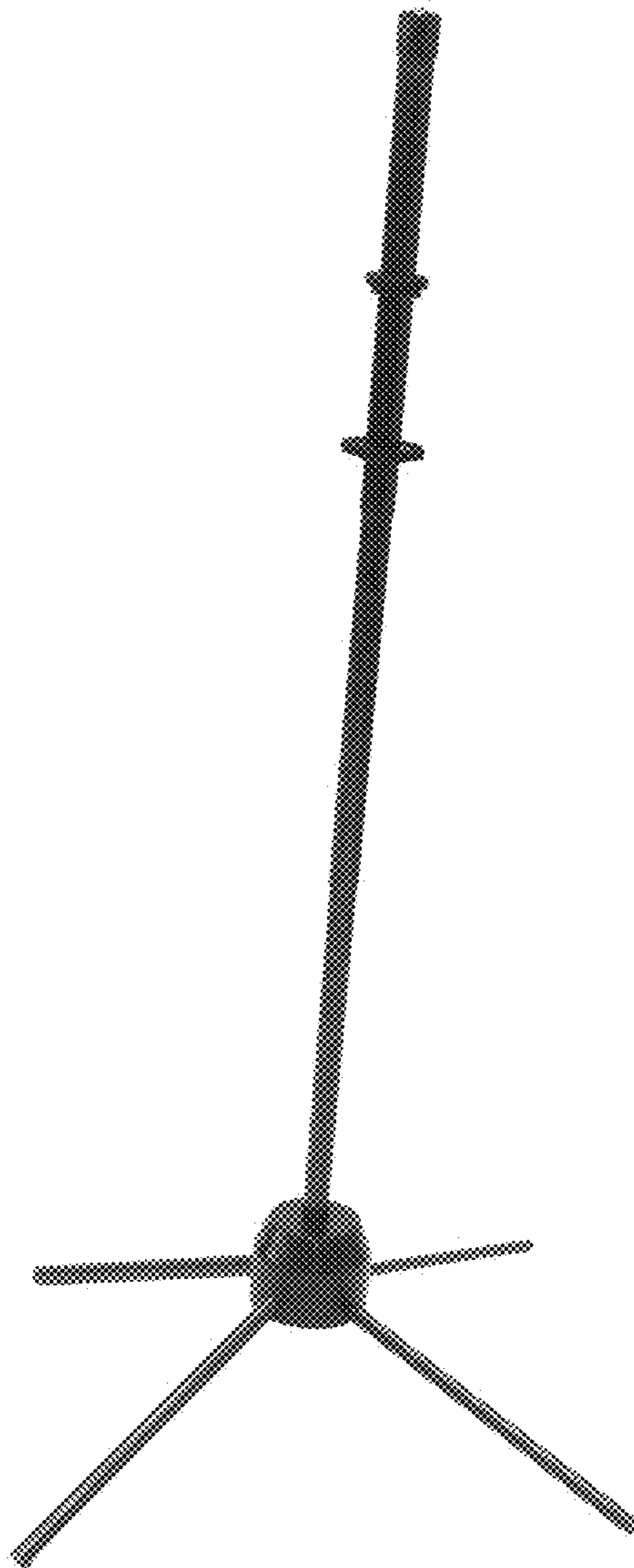
7,723,591 B1 * 5/2010 Hsiao G10G 5/00
84/385 A
D643,230 S * 8/2011 Hepeng F16M 11/22
D6/708.25
D646,501 S * 10/2011 Hepeng D6/681.1

* cited by examiner

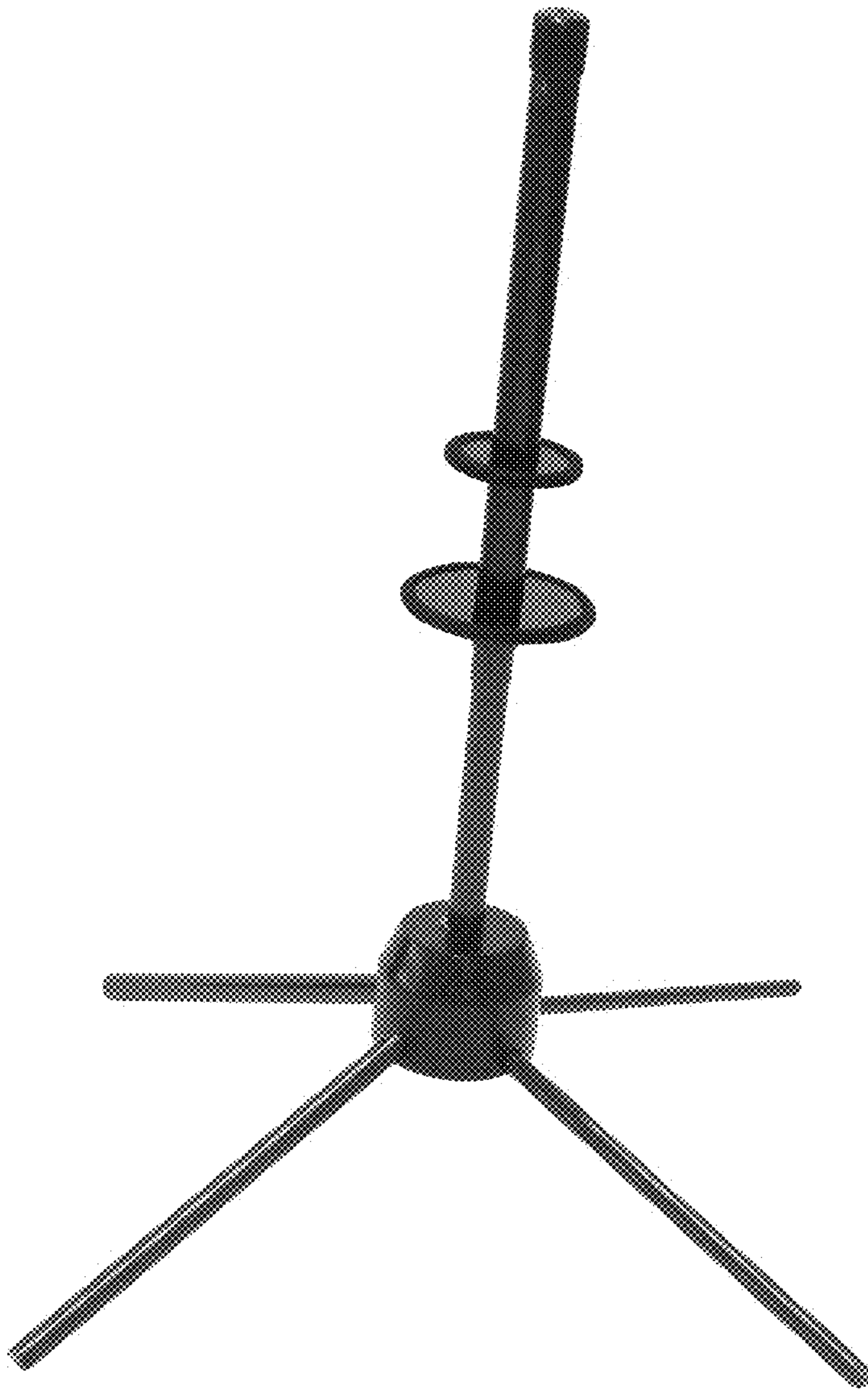
1.1



1.2



1.3



1.4



1.5



1.6

